



US00D474946S

(12) **United States Design Patent**  
**Huang**

(10) **Patent No.:** **US D474,946 S**

(45) **Date of Patent:** **\*\* May 27, 2003**

(54) **PRUNING SHEARS**

D413,496 S \* 9/1999 Wu ..... D8/5

(76) Inventor: **Hung-Ta Huang**, 3C-38, No. 5, Sec. 5,  
Hsinyi Rd., Taipei (TW)

\* cited by examiner

(\*\*) Term: **14 Years**

*Primary Examiner*—Pamela Burgess  
(74) *Attorney, Agent, or Firm*—Dellett & Walters

(21) Appl. No.: **29/156,874**

(57) **CLAIM**

(22) Filed: **Mar. 6, 2002**

The ornamental design for pruning shears, as shown.

(51) **LOC (7) Cl.** ..... **08-01**

**DESCRIPTION**

(52) **U.S. Cl.** ..... **D8/5; D8/58**

FIG. 1 is a perspective view of a pruning shears, showing my new design;

(58) **Field of Search** ..... D8/5, 55, 52, 58,  
D8/107, 4; 30/261, 262, 252, 254, 186,  
194, 249, 244, 258; 81/385, 405, 407, 408

FIG. 2 is a front view thereof;

FIG. 3 is a rear view thereof;

FIG. 4 is a left side view thereof;

FIG. 5 is a right side view thereof;

FIG. 6 is a top plan view thereof; and,

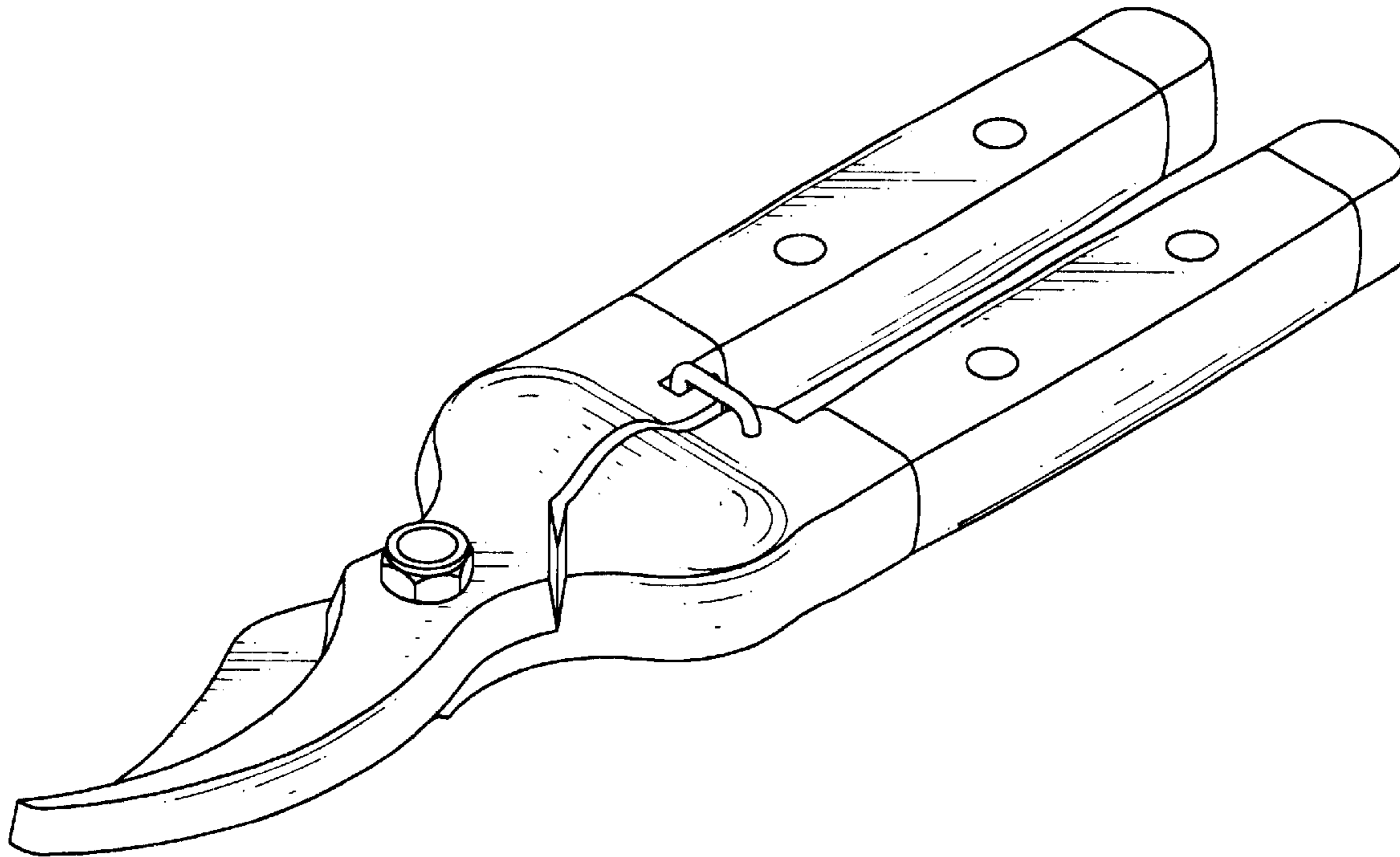
FIG. 7 is a bottom plan view thereof.

(56) **References Cited**

**U.S. PATENT DOCUMENTS**

- 2,940,343 A \* 6/1960 Hindenburg ..... 30/91.2
- 4,141,141 A \* 2/1979 ViPond ..... 30/186
- D370,161 S \* 5/1996 Snyder ..... D8/52

**1 Claim, 5 Drawing Sheets**



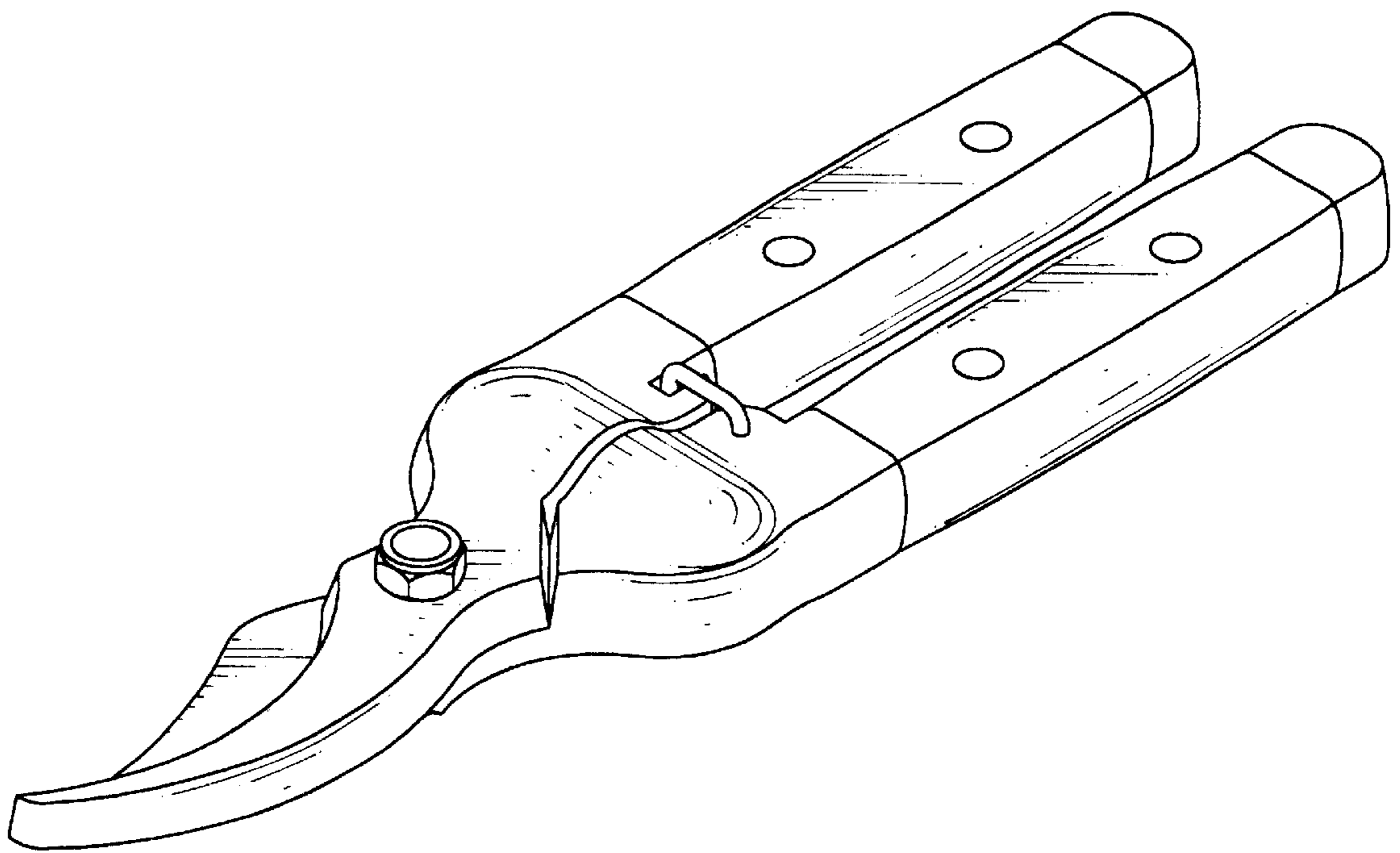


FIG.1

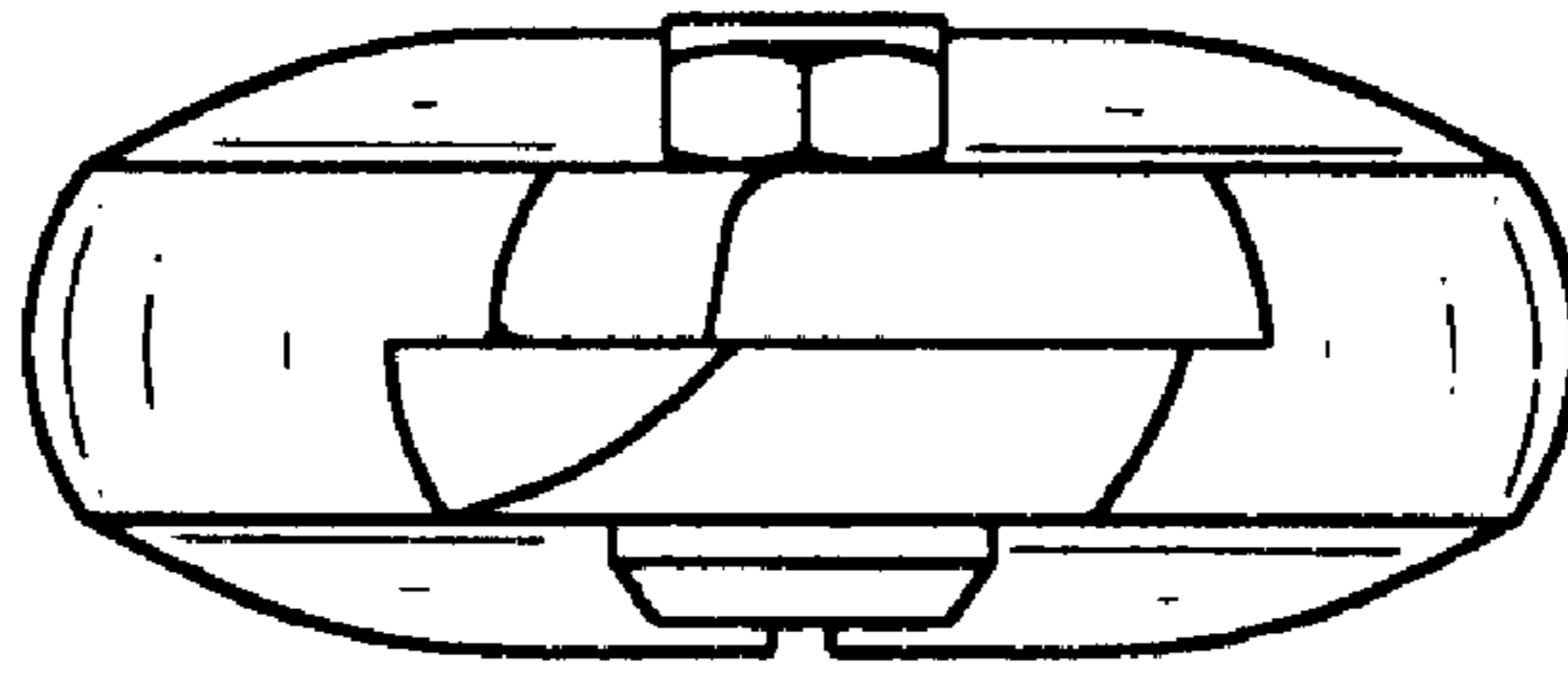


FIG. 2

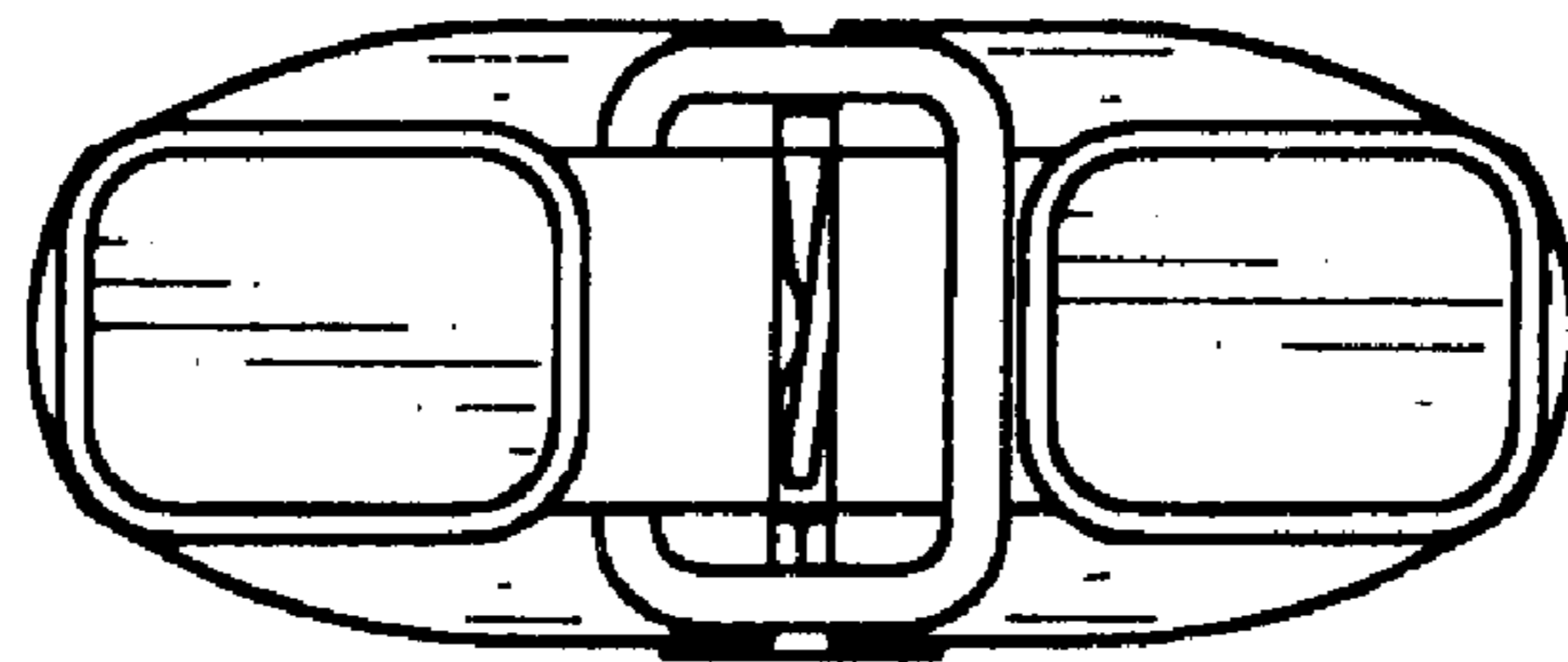


FIG. 3

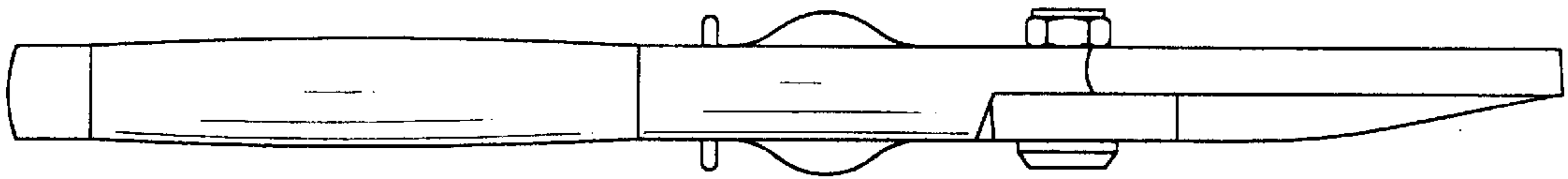


FIG. 4

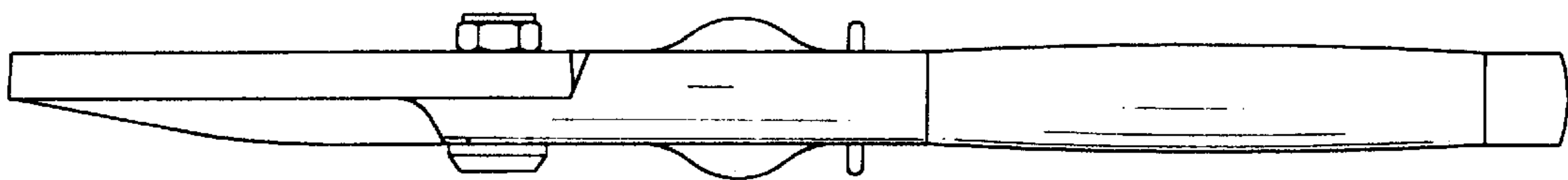


FIG. 5

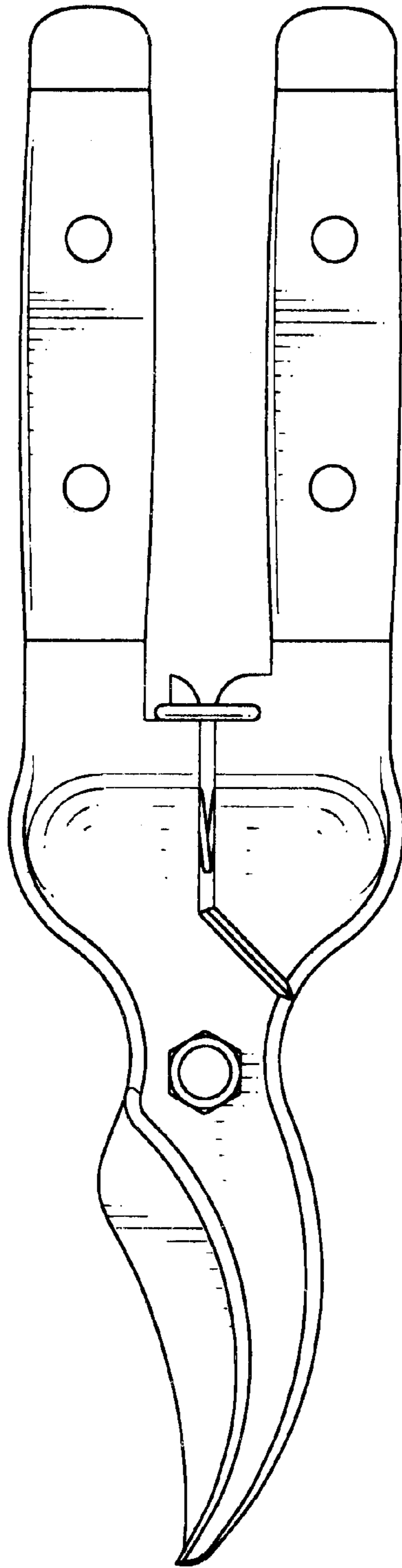


FIG. 6

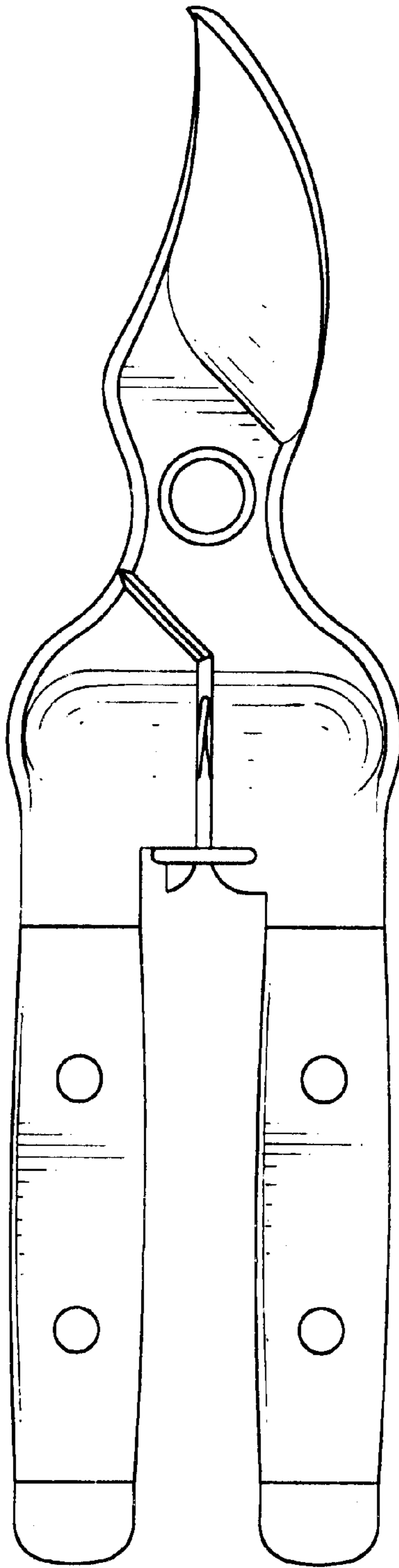


FIG. 7