



US00D474944S

(12) **United States Design Patent**
Cronk et al.

(10) **Patent No.:** **US D474,944 S**

(45) **Date of Patent:** **** May 27, 2003**

(54) **CUP HOLDER**

(75) Inventors: **Jeffrey P. Cronk**, Tulsa, OK (US);
Joseph D. Keitel, Muscatine, IA (US);
James M. Groulx, Muscatine, IA (US);
Randall E. Green, Sr., Muscatine, IA (US)

(73) Assignee: **HON Technology Inc.**, Muscatine, IA (US)

(**) Term: **14 Years**

(21) Appl. No.: **29/159,272**

(22) Filed: **Apr. 18, 2002**

(51) **LOC (7) Cl.** **07-06**

(52) **U.S. Cl.** **D7/620**

(58) **Field of Search** D7/619, 620; 211/74,
211/75; 248/309.1, 309.3, 311.2; 297/188.18,
188.01, 188.02, 188.14, 188.2, 188.21;
D6/500-503, 510, 511

(56) **References Cited**

U.S. PATENT DOCUMENTS

3,533,590 A * 10/1970 Swire 248/311.2

D353,289 S * 12/1994 Ayotte et al. D7/620 X
D378,334 S * 3/1997 Legere D7/620
D413,769 S * 9/1999 Mason D7/620
6,227,511 B1 * 5/2001 De Costa 248/311.2

* cited by examiner

Primary Examiner—Terry A. Wallace

(74) *Attorney, Agent, or Firm*—Jones Day

(57) **CLAIM**

The ornamental design for a cup holder, as shown and described.

DESCRIPTION

FIG. 1 is a front isometric view of a cup holder showing the new design;

FIG. 2 is a front elevation view thereof;

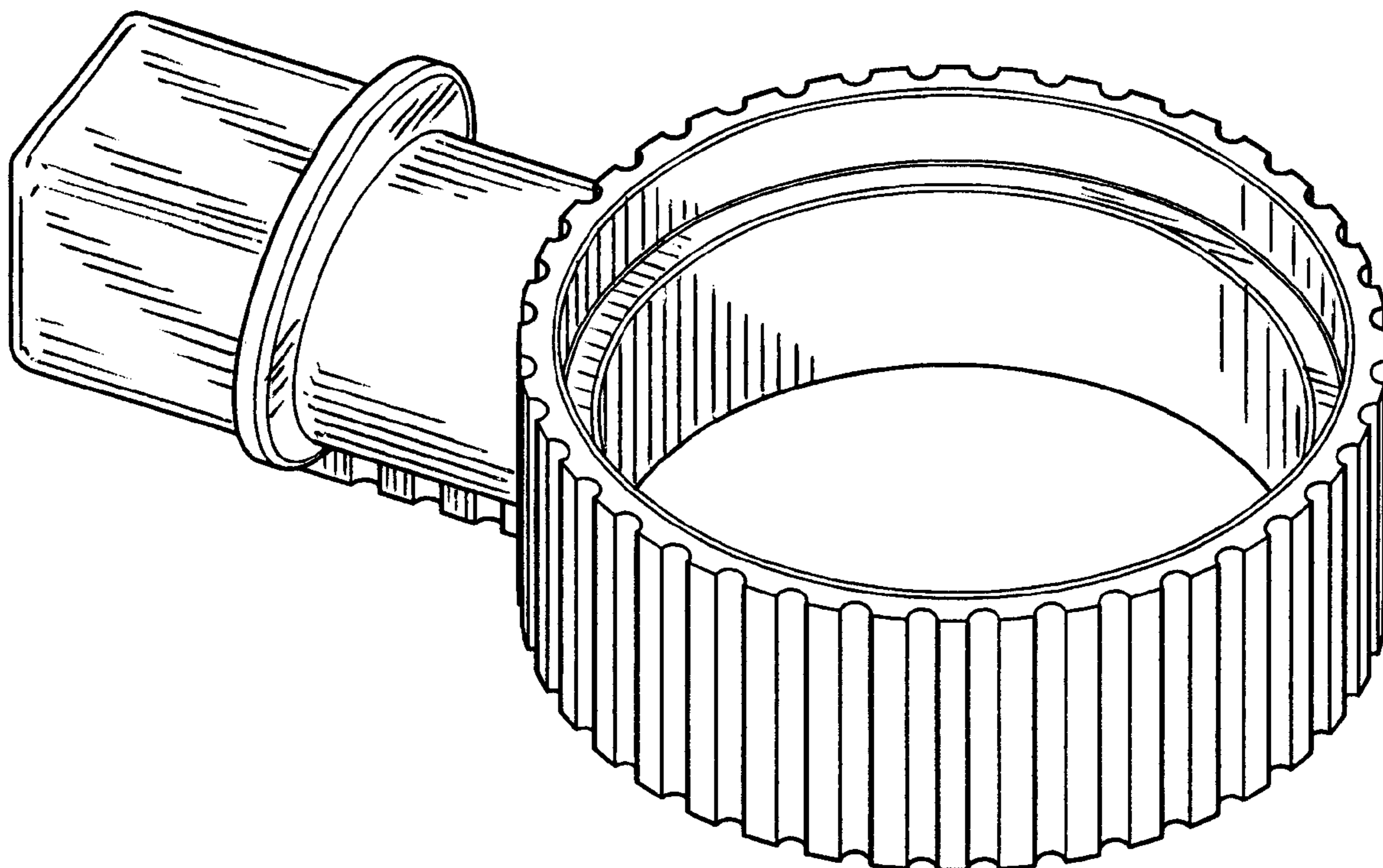
FIG. 3 is a side elevation view, the opposite side elevation view being a mirror image thereof;

FIG. 4 is a rear elevation view thereof;

FIG. 5 is a top plan view thereof; and,

FIG. 6 is a bottom plan view thereof.

1 Claim, 2 Drawing Sheets



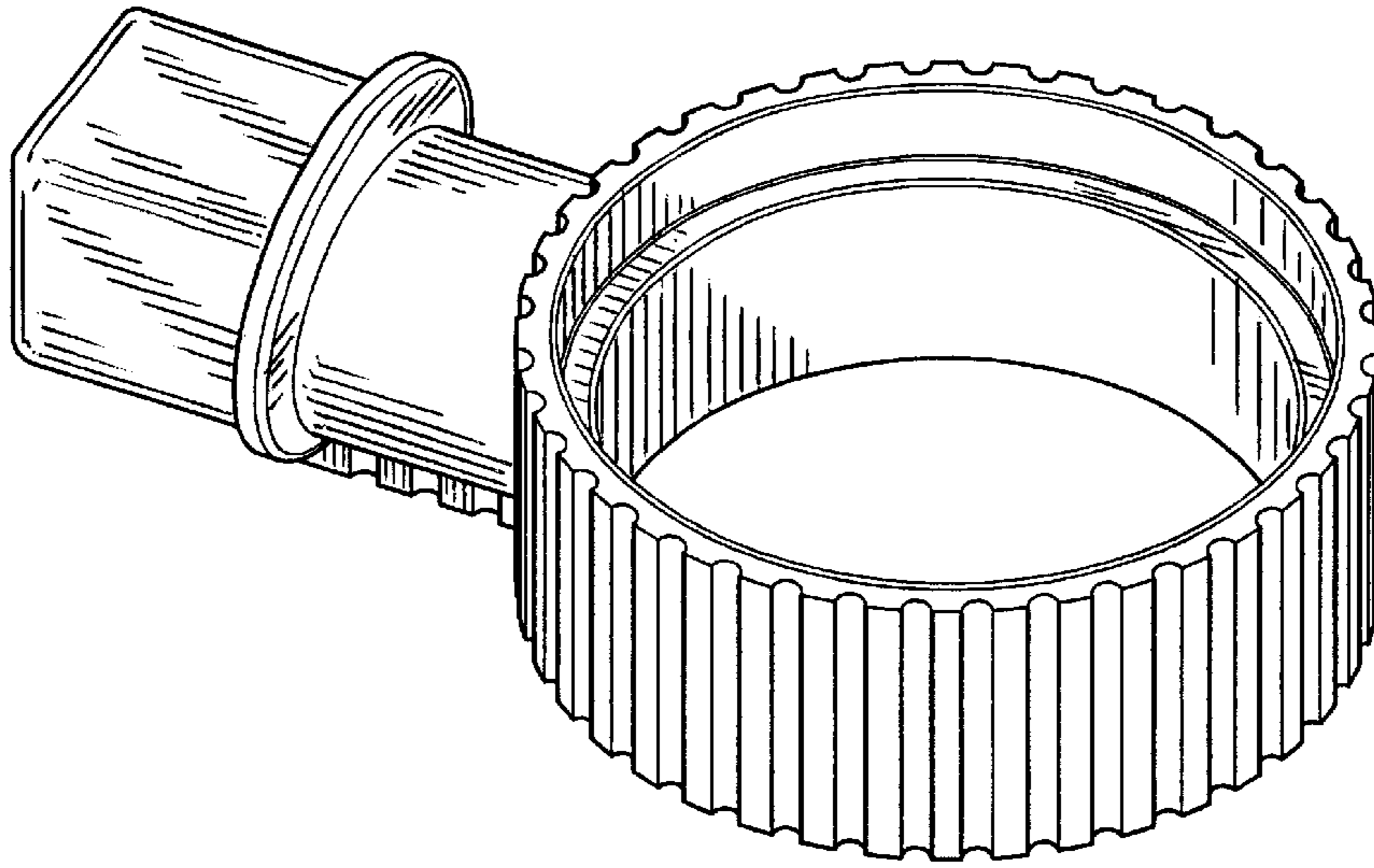


FIG. 1

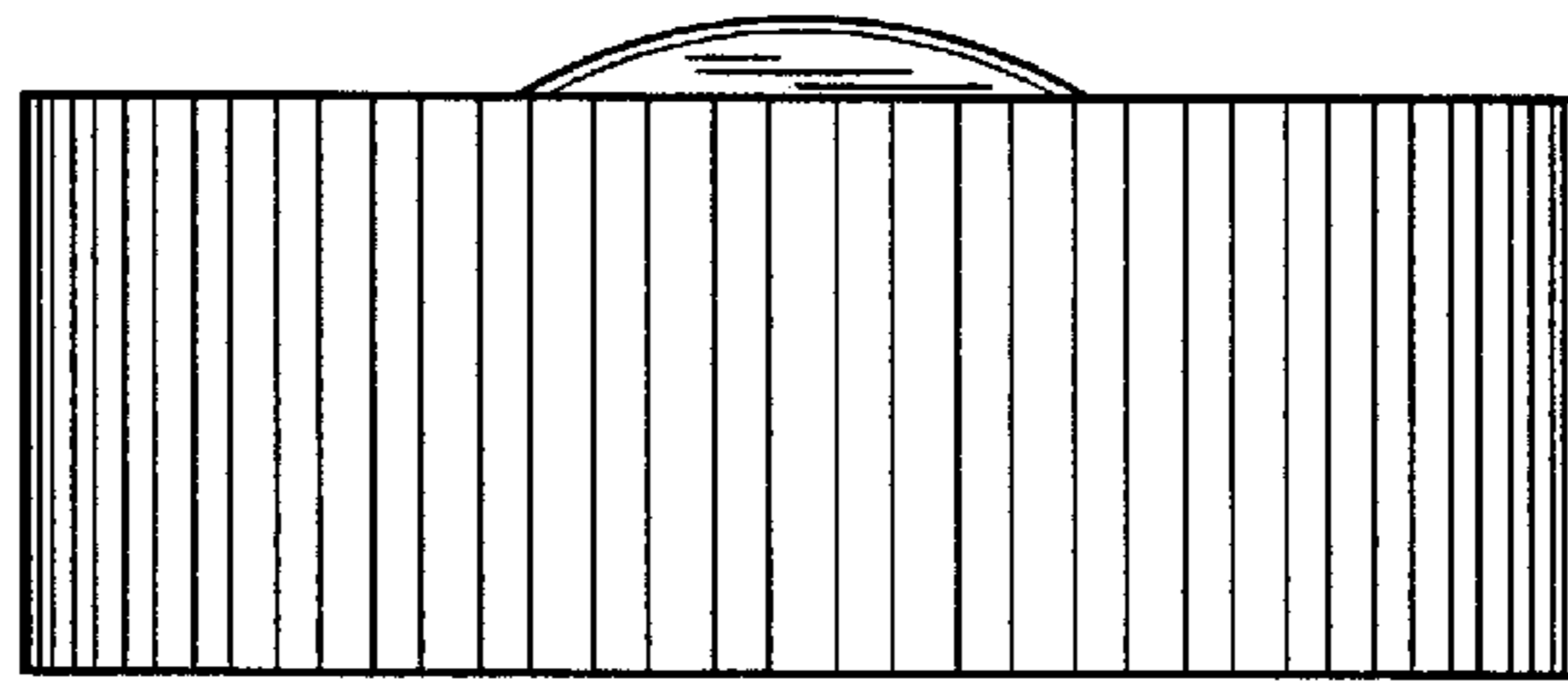


FIG. 2

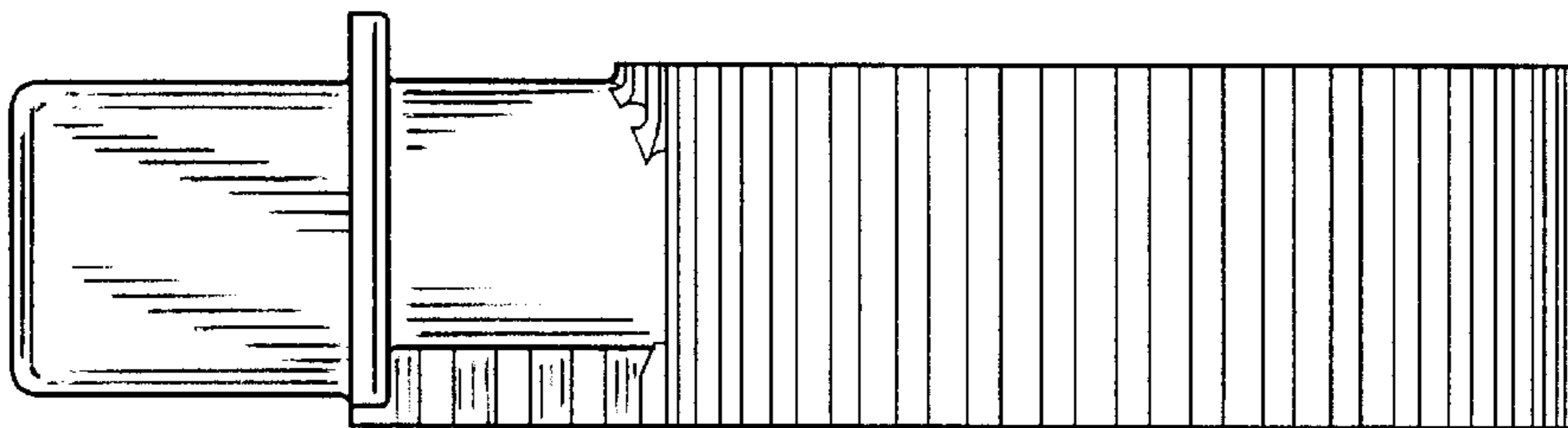


FIG. 3

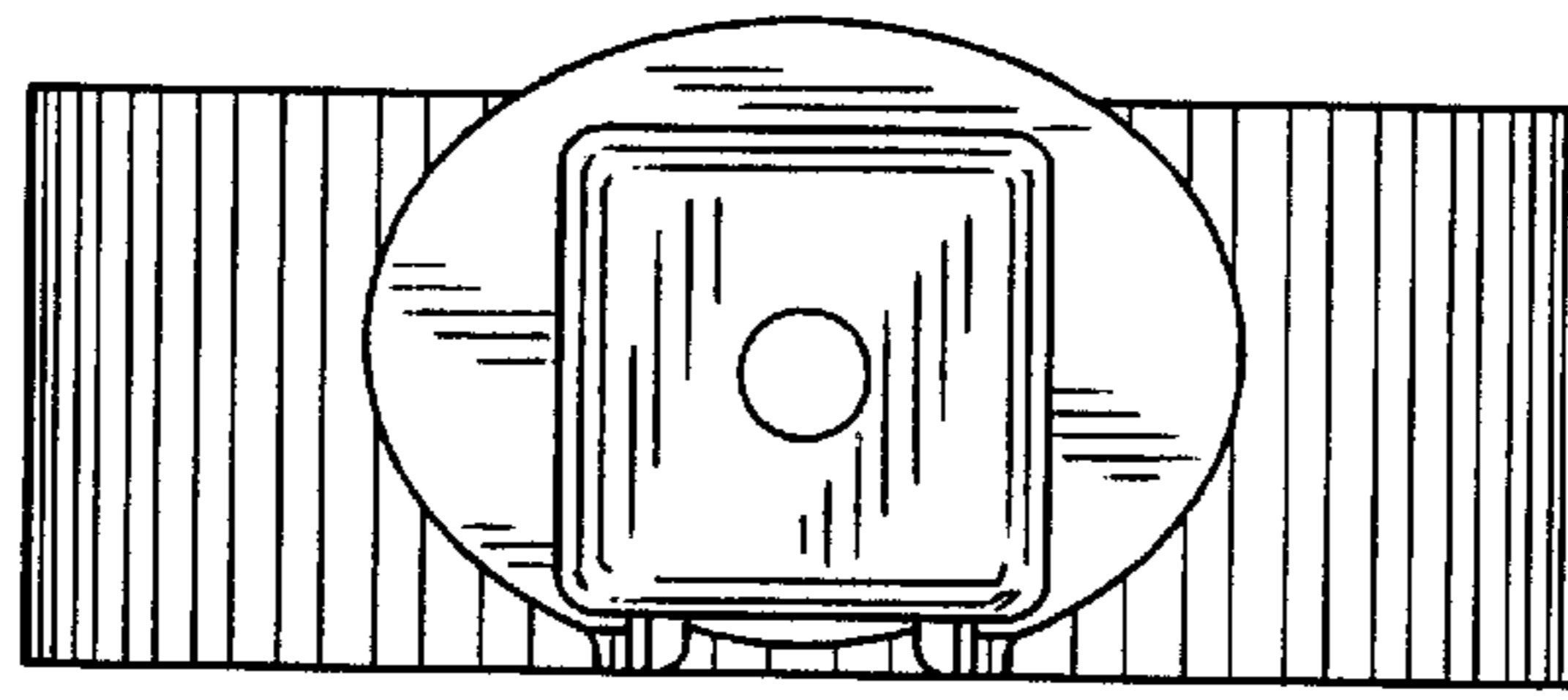


FIG. 4

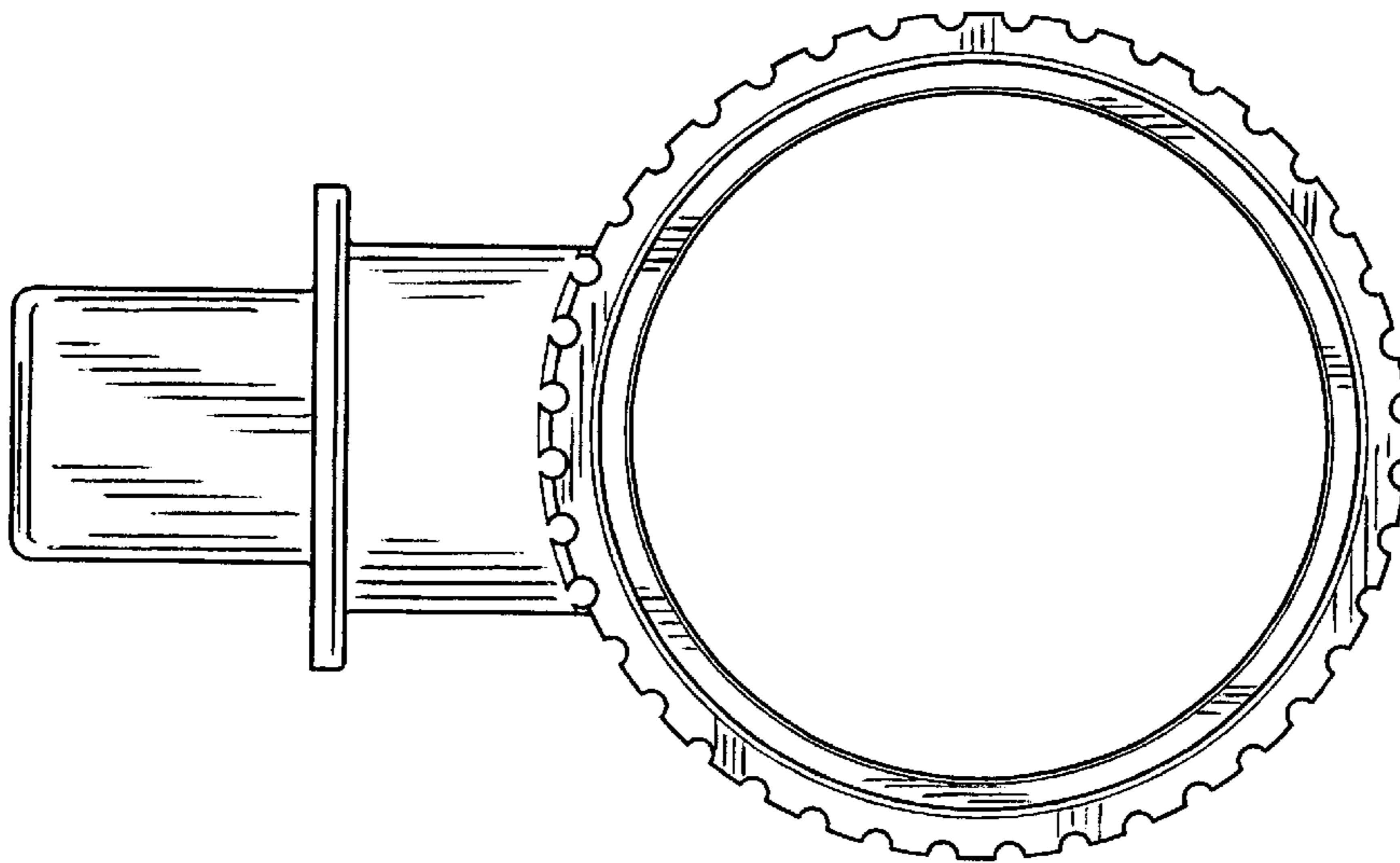


FIG. 5

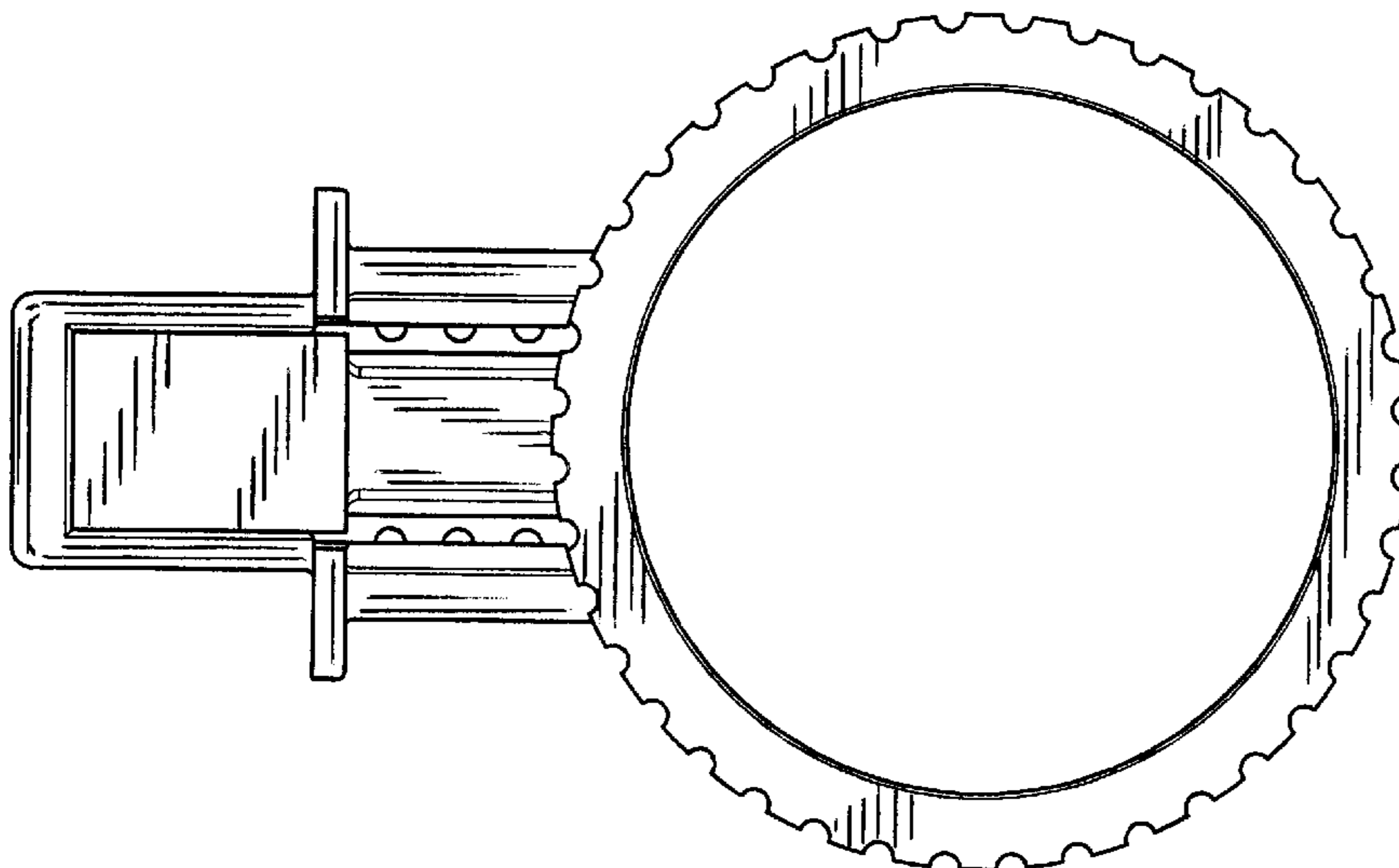


FIG. 6