



US00D474943S

(12) **United States Design Patent**  
**Olsen**

(10) **Patent No.:** **US D474,943 S**

(45) **Date of Patent:** **\*\* May 27, 2003**

(54) **PORTABLE CAN HOLDER**

D367,998 S \* 3/1996 Graw et al. .... D7/620

(75) Inventor: **Bent Hjort Olsen**, Hillerod (DK)

\* cited by examiner

(73) Assignee: **Damoteck Design ApS**, Hillerod (DK)

*Primary Examiner*—Terry A. Wallace

(\*\*) Term: **14 Years**

(74) *Attorney, Agent, or Firm*—Nixon Peabody LLP; David S. Safran

(21) Appl. No.: **29/159,454**

(22) Filed: **Apr. 23, 2002**

(30) **Foreign Application Priority Data**

Oct. 23, 2001 (DK) ..... 2001 00068

(51) **LOC (7) Cl.** ..... **07-06**

(52) **U.S. Cl.** ..... **D7/619; D7/704**

(58) **Field of Search** ..... D7/619–624, 701,  
D7/704, 707, 708; D6/512, 524, 525, 527,  
535, 556, 566; D3/201; D9/455; 211/74,  
75; 248/309.1, 311.2

(56) **References Cited**

**U.S. PATENT DOCUMENTS**

4,290,529 A \* 9/1981 Jones et al. .... 248/311.2 X

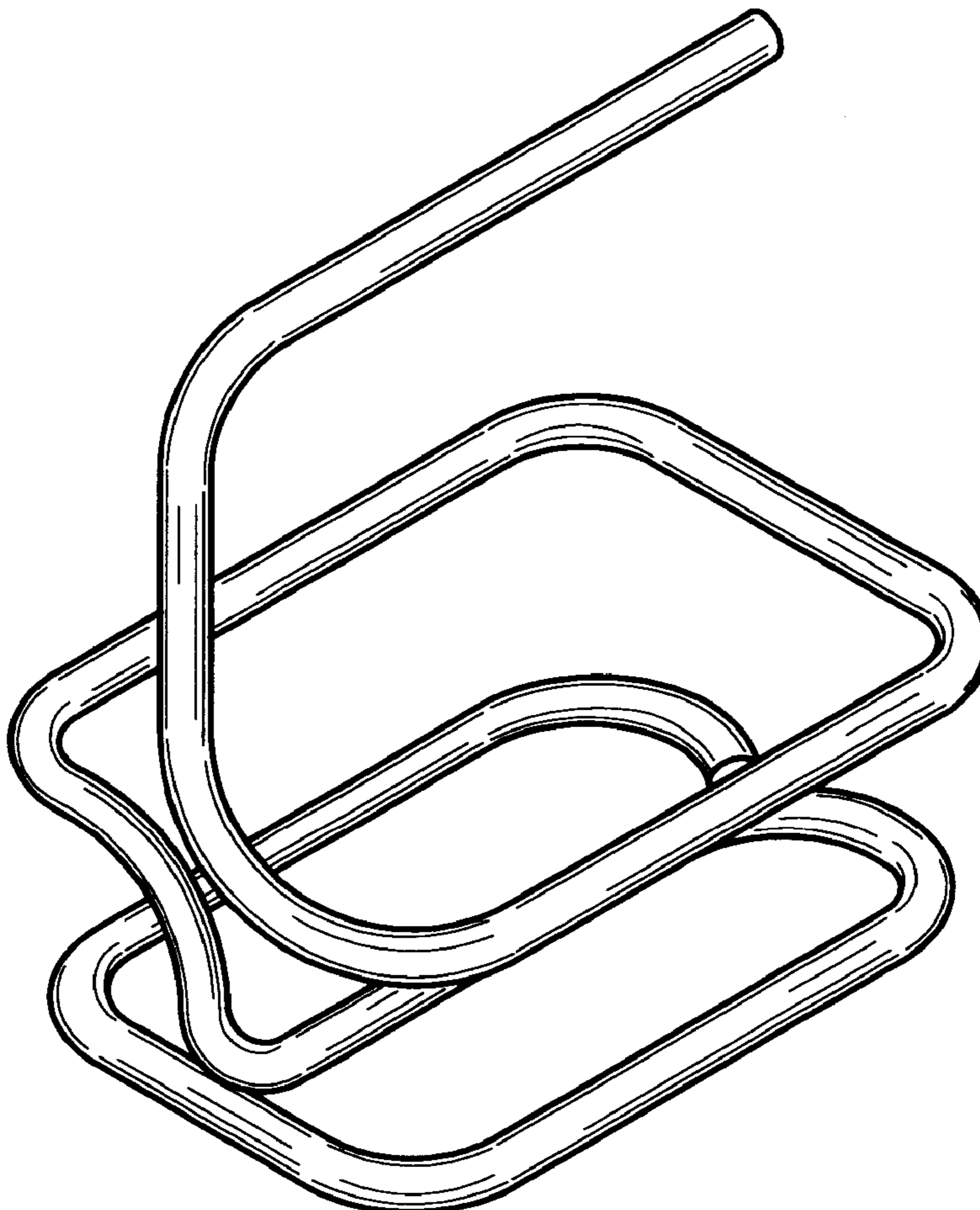
(57) **CLAIM**

The ornamental design of a portable can holder, as shown in the accompanying drawings.

**DESCRIPTION**

FIG. 1 is front view of the my design;  
FIG. 2 is side view of the design shown in FIG. 1;  
FIG. 3. is a top view of the design; and,  
FIG. 4 is a perspective view as seen looking toward the rear and the side opposite that shown in FIG. 2.

**1 Claim, 1 Drawing Sheet**



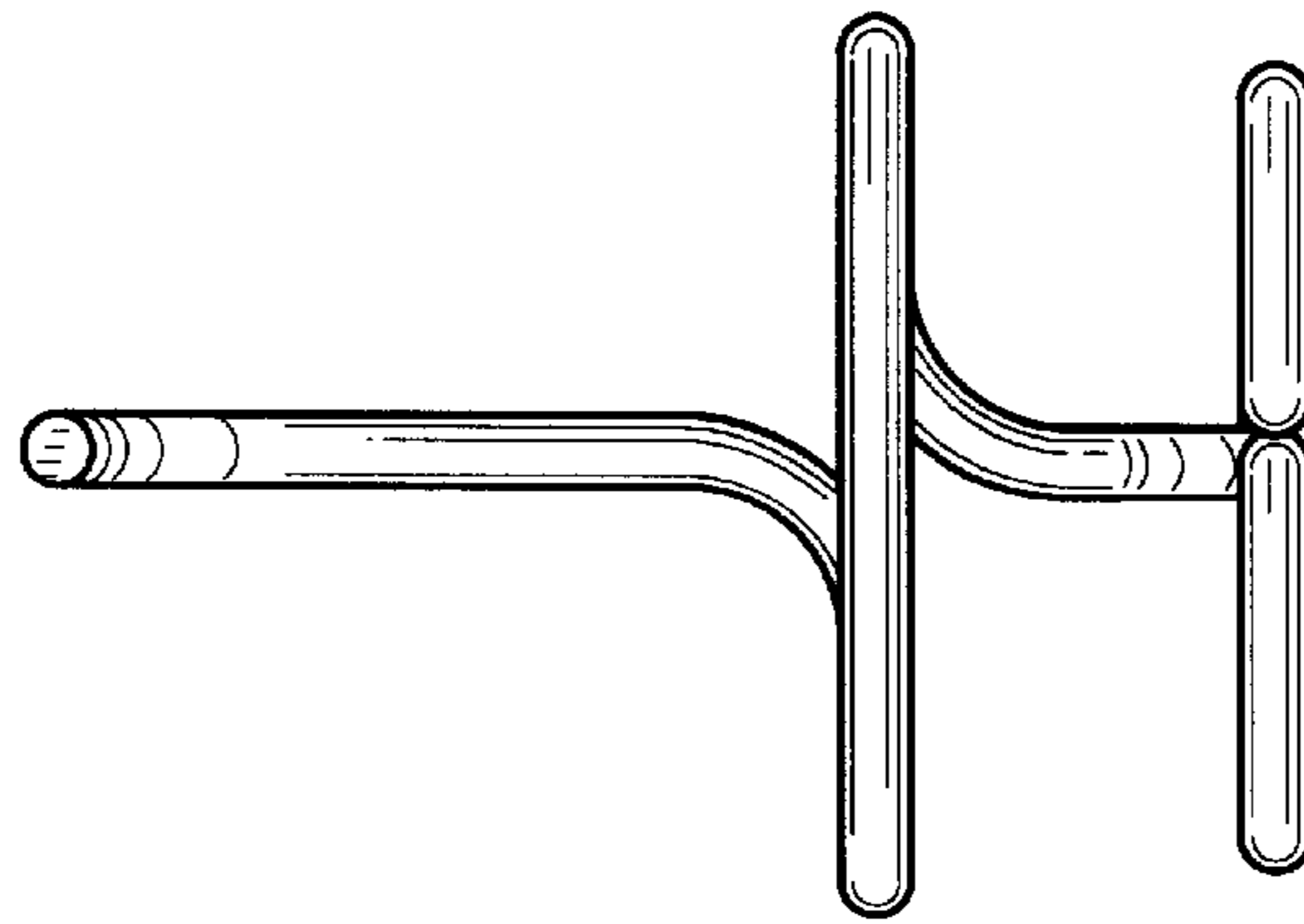


FIG. 1

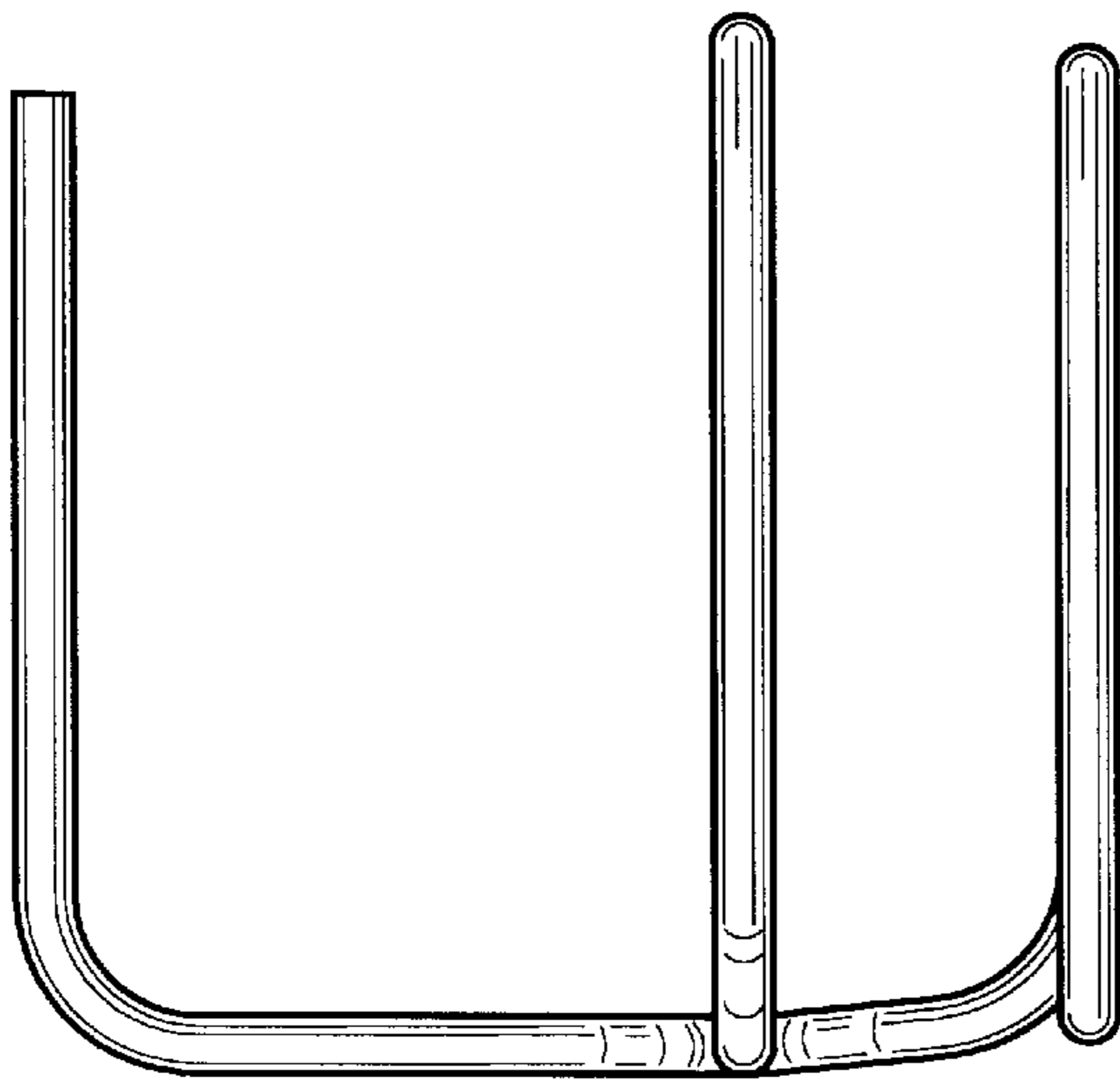


FIG. 2

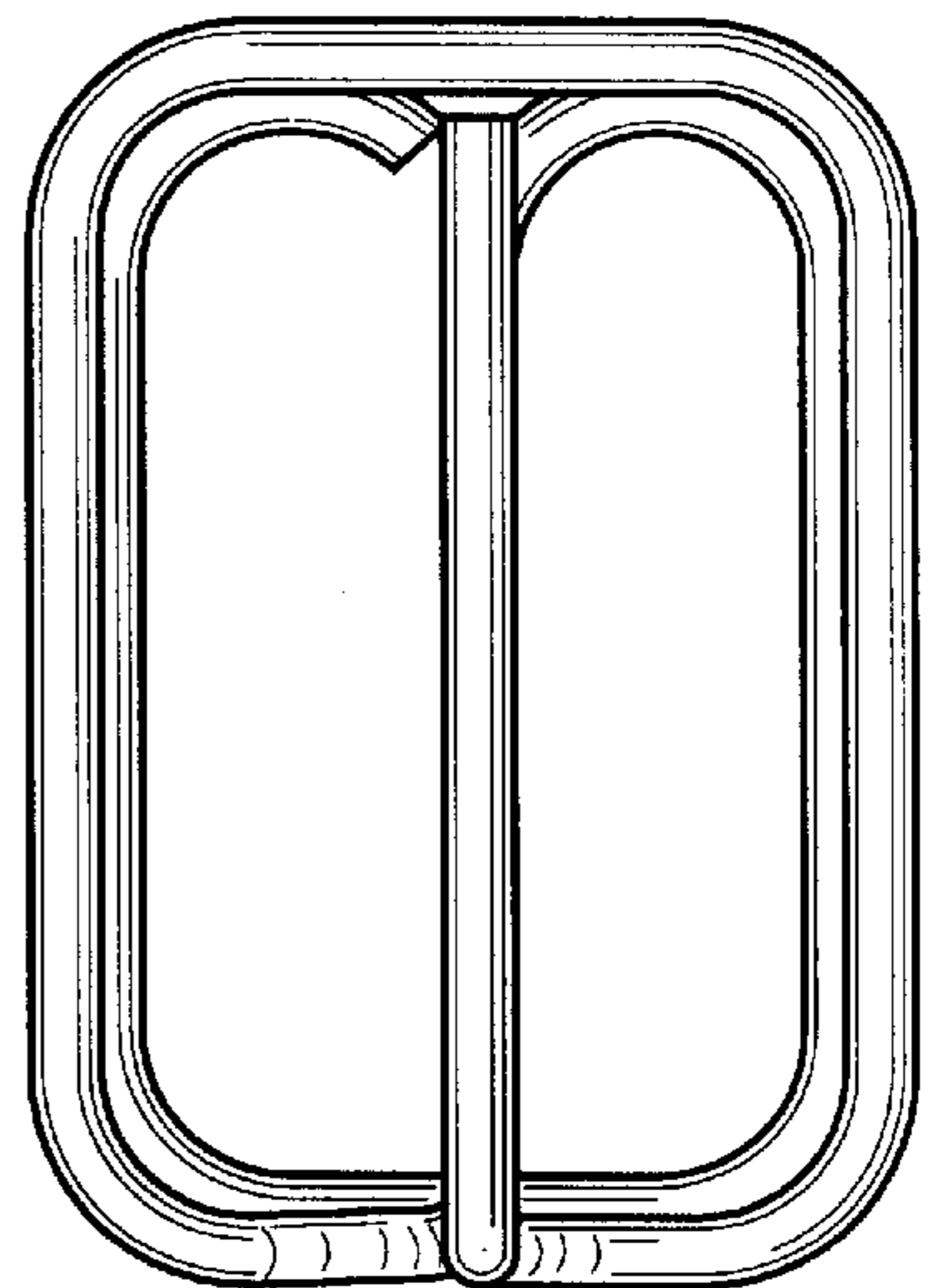


FIG. 3

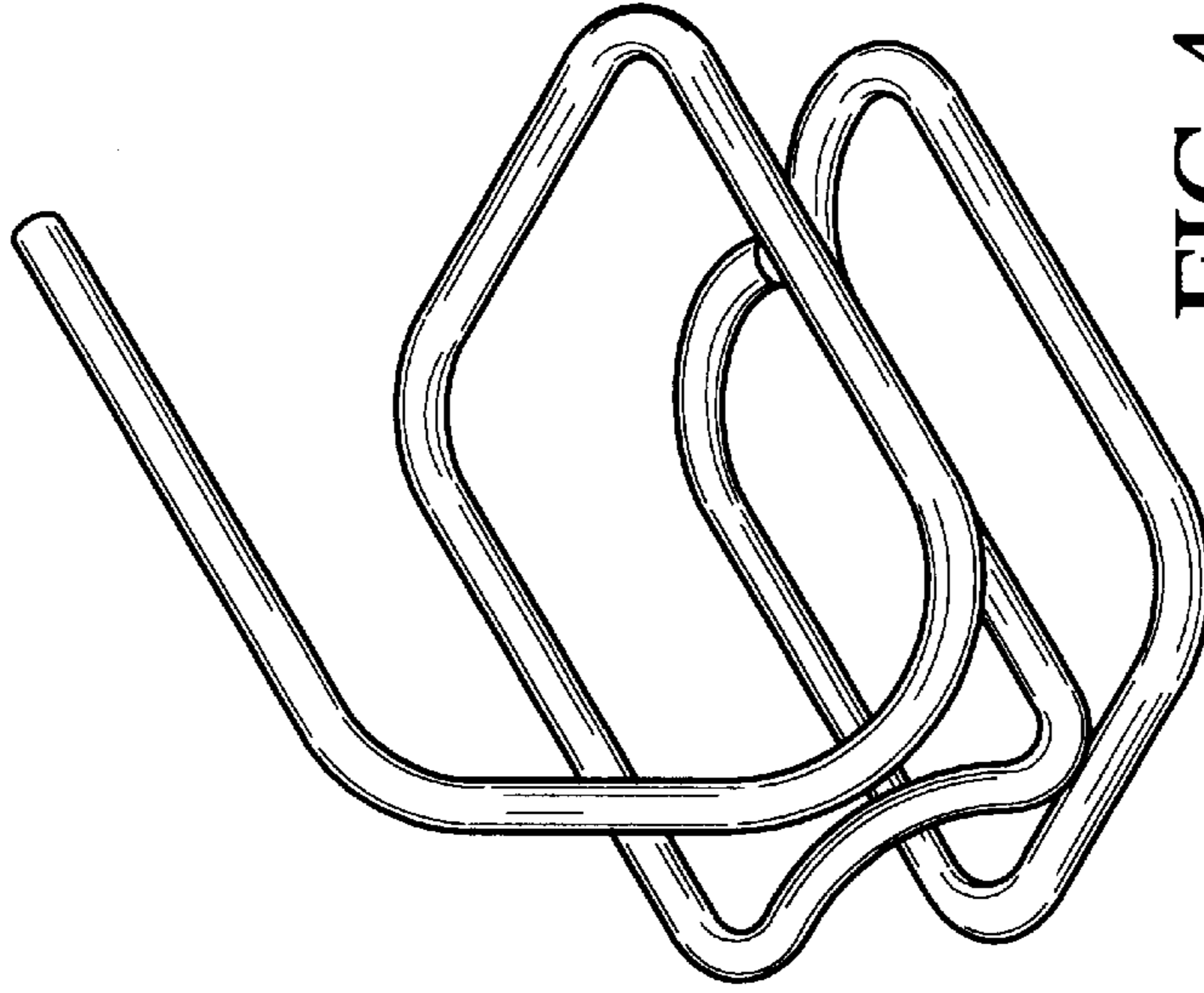


FIG. 4