



US00D474939S

(12) **United States Design Patent**
De Neubourg

(10) **Patent No.:** **US D474,939 S**

(45) **Date of Patent:** **** May 27, 2003**

(54) **MUG I**

(76) **Inventor:** **Wouter De Neubourg,**
Leeuwenveldseweg 16, NL-1382 LX
Weesp (NL)

(**) **Term:** **14 Years**

(21) **Appl. No.:** **29/146,847**

(22) **Filed:** **Aug. 20, 2001**

(30) **Foreign Application Priority Data**

Feb. 20, 2001 (DE) 401 01 666

(51) **LOC (7) Cl.** **07-01**

(52) **U.S. Cl.** **D7/536**

(58) **Field of Search** D7/510, 511, 501,
D7/507, 523, 533, 536, 622; 220/710.5,
719, 293, 675; 215/396, 398; 229/403,
402; 206/519

(56) **References Cited**

U.S. PATENT DOCUMENTS

- 2,687,628 A * 8/1954 Cunningham D7/536
- D185,971 S * 8/1959 Saffer D7/536
- D219,472 S * 12/1970 Piker D7/533

- D287,086 S * 12/1986 Meier et al. D7/536
- D330,484 S * 10/1992 Ross D7/511
- D380,344 S * 7/1997 Laib D7/394
- D409,441 S * 5/1999 Stephenson D7/510
- D409,879 S * 5/1999 Cornelissen D7/536
- D442,736 S * 5/2001 McGilvray D27/118

* cited by examiner

Primary Examiner—M. N. Pandozzi

(74) *Attorney, Agent, or Firm*—Shlesinger, Arkwright & Garvey LLP

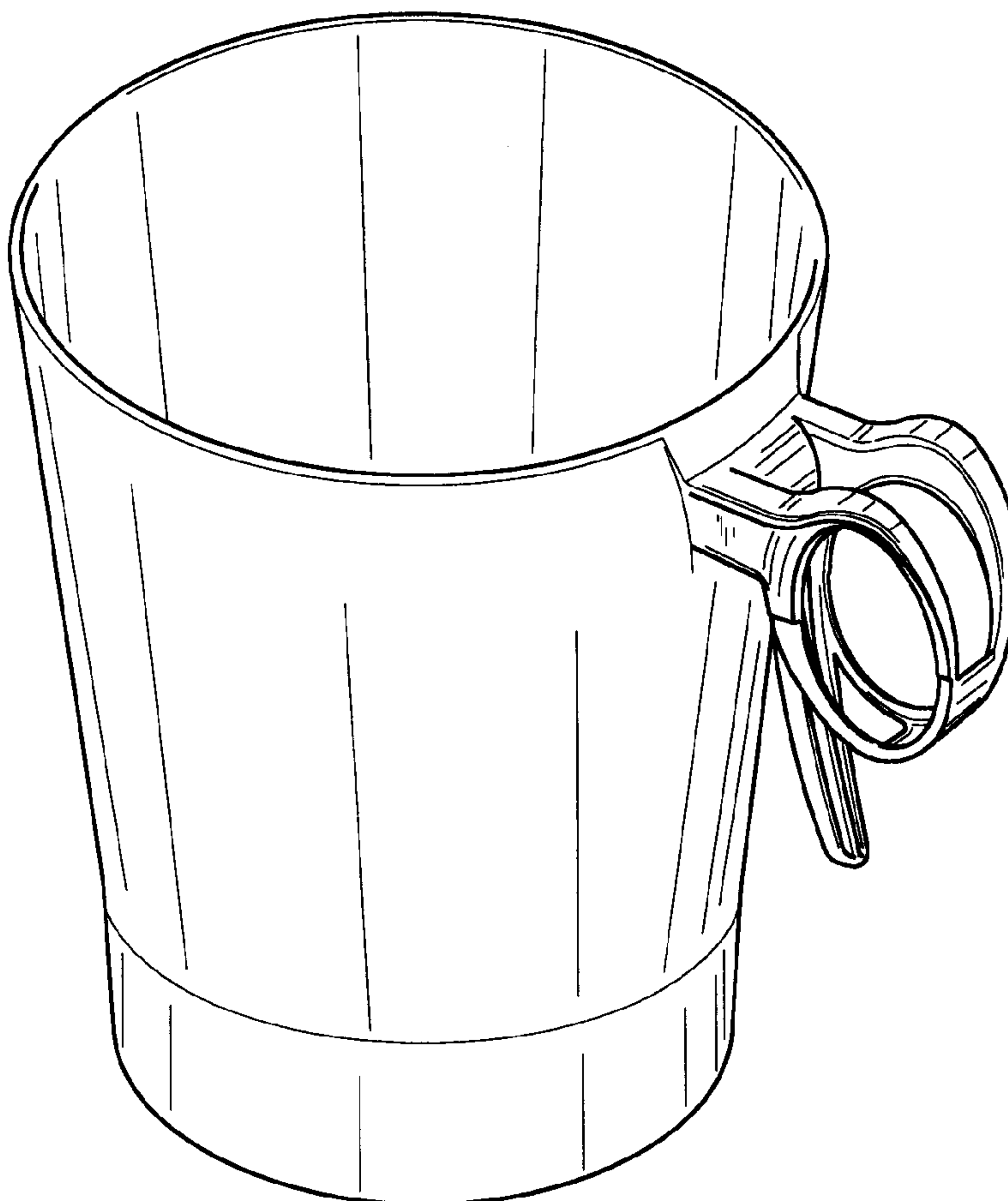
(57) **CLAIM**

The ornamental design for the mug I, as shown and described.

DESCRIPTION

FIG. 1 is a top perspective view of a mug showing a preferred embodiment of my design; FIG. 2 is a front side view of the mug of FIG. 1, the rear side view being a mirror image thereof; FIG. 3 is a right side view of the mug of FIG. 1; FIG. 4 is a bottom view of the mug of FIG. 1, the five-pointed star forming no part of the claimed design; and, FIG. 5 is a top view of the mug of FIG. 1.

1 Claim, 2 Drawing Sheets



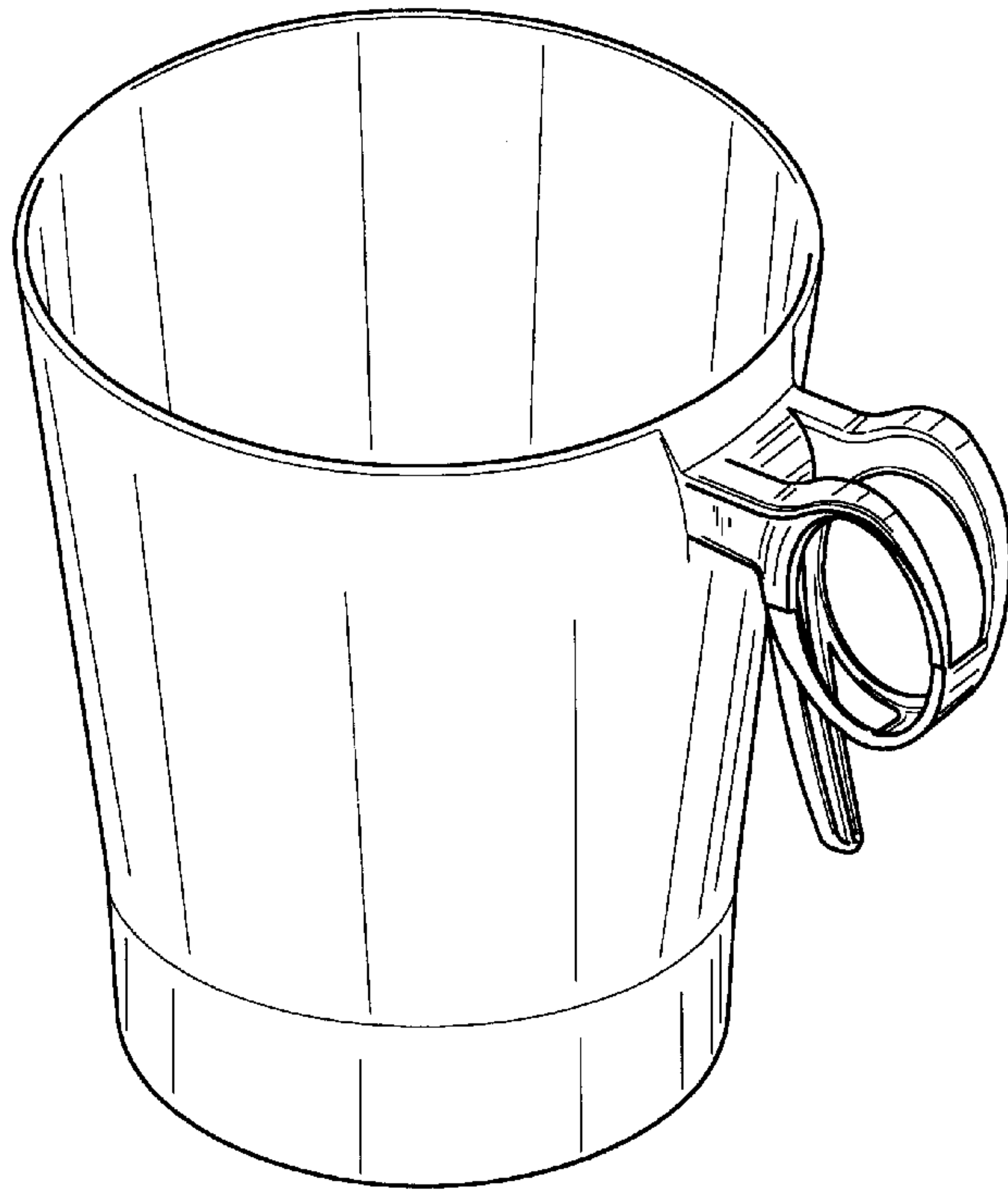


FIG. 1

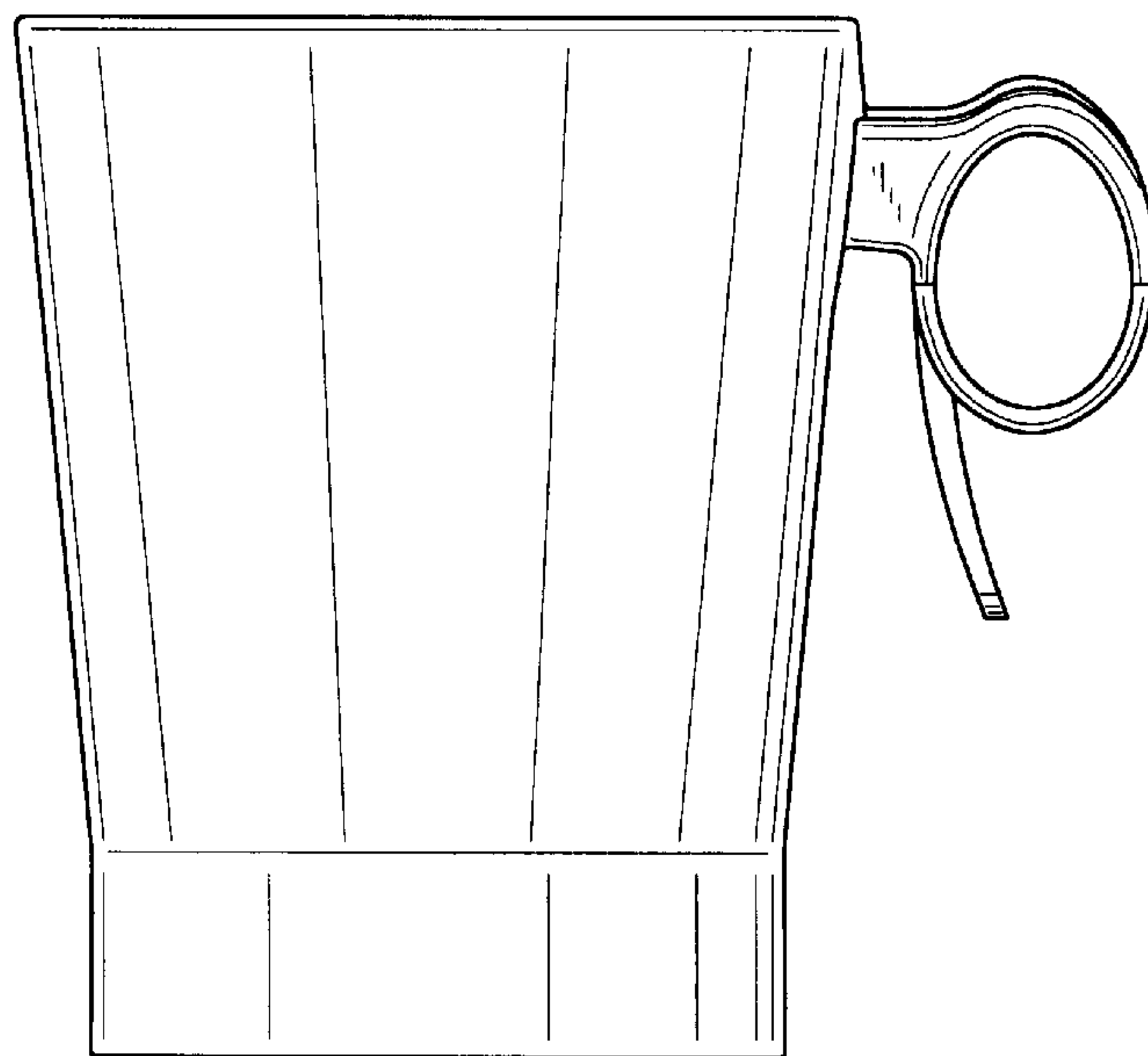


FIG. 2

FIG.3

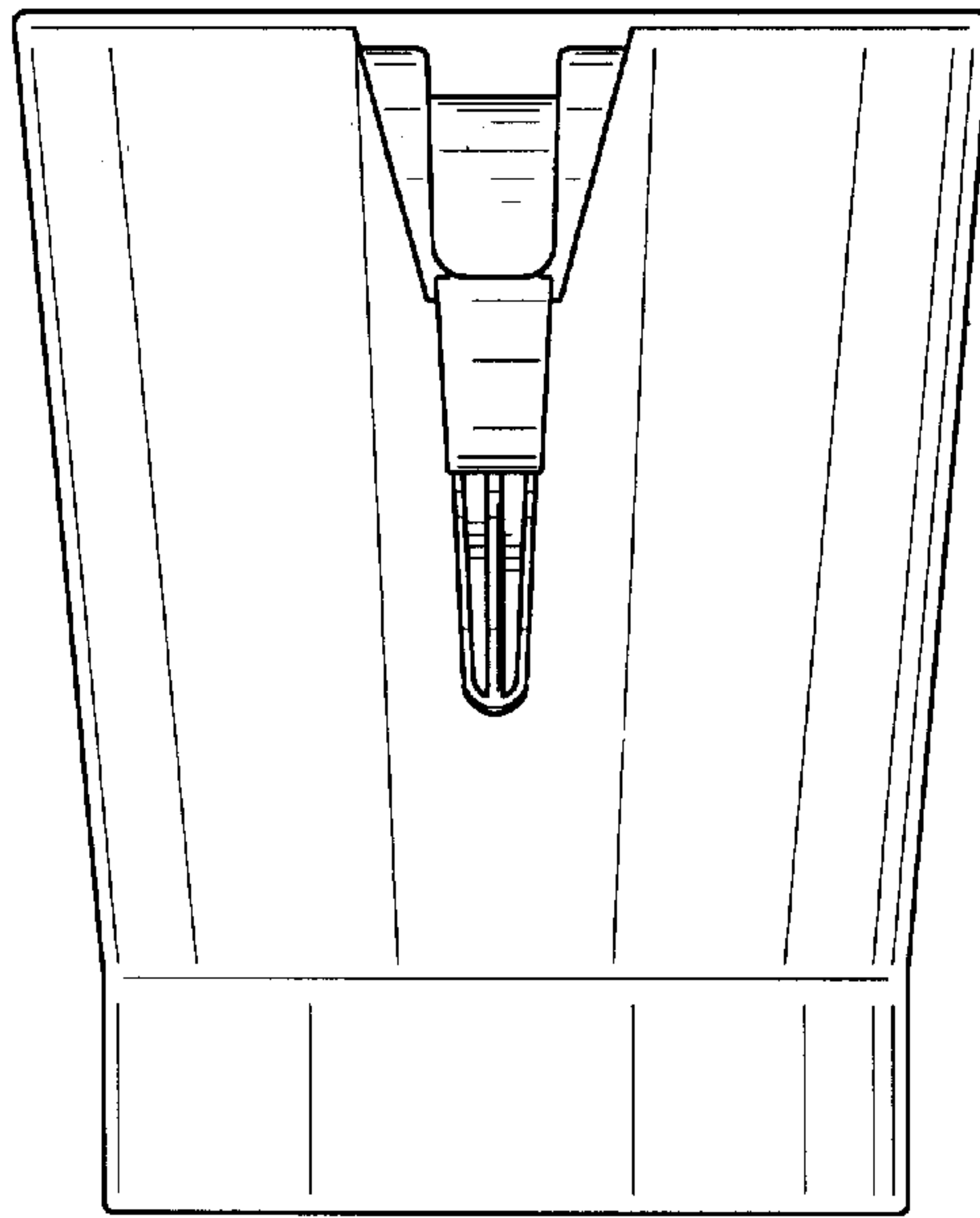


FIG.4

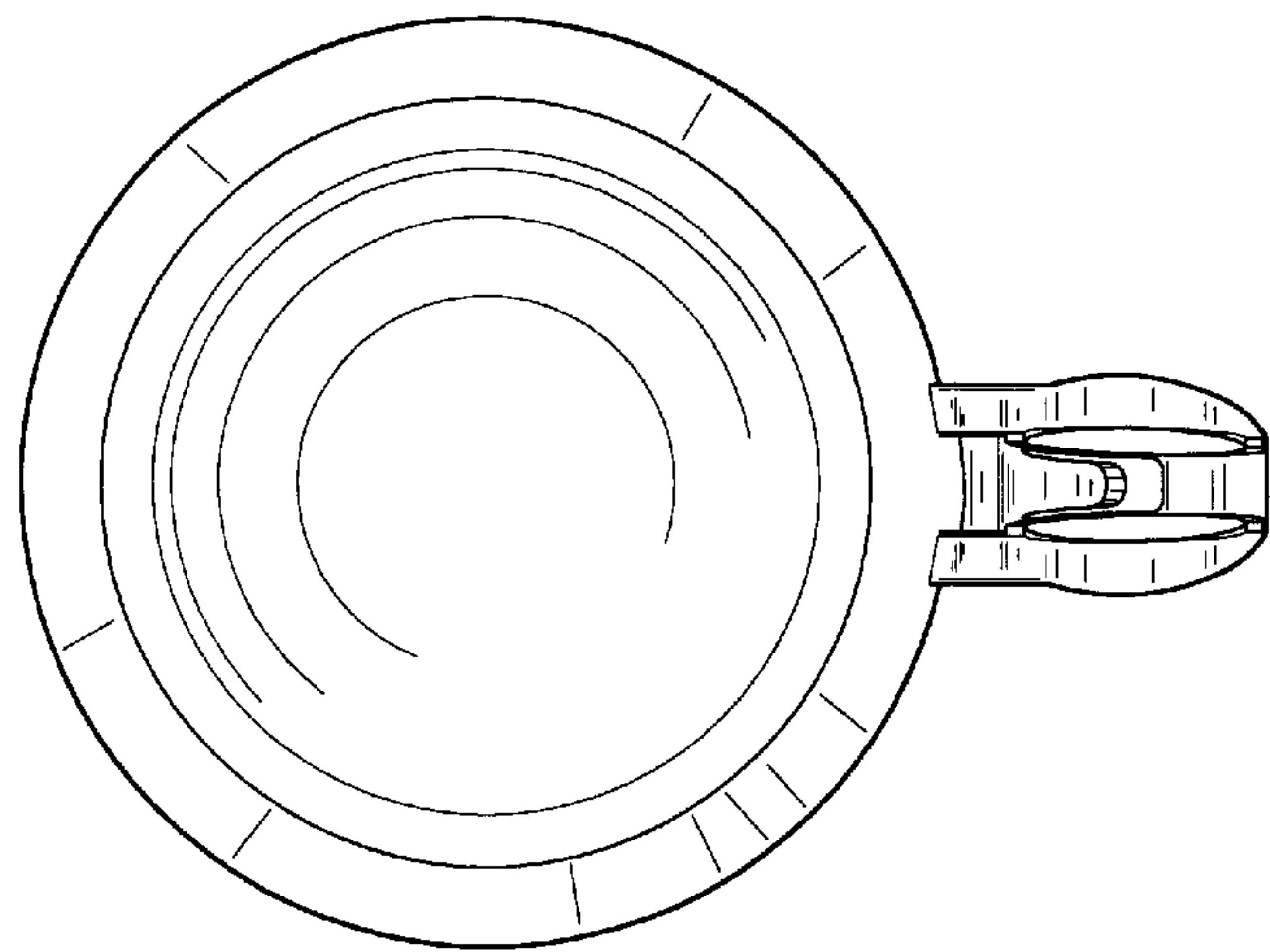


FIG.5

