



US00D474938S

(12) **United States Design Patent**
Malik

(10) **Patent No.:** **US D474,938 S**

(45) **Date of Patent:** **** May 27, 2003**

(54) **COVER FOR A BEVERAGE CONTAINER**

(75) **Inventor:** **Neil K. Malik**, Cambridge, MA (US)

(73) **Assignee:** **Fuelbelt, Inc.**, Barrington, RI (US)

(**) **Term:** **14 Years**

(21) **Appl. No.:** **29/156,287**

(22) **Filed:** **Feb. 26, 2002**

(51) **LOC (7) Cl.** **07-99**

(52) **U.S. Cl.** **D7/392.1; D7/396.2; D7/900**

(58) **Field of Search** D7/396.2, 392.1,
D7/900, 901, 509, 507, 514, 515, 517,
300.2, 510, 511; 220/662, 922, 705; 215/11.1,
388; 239/33; D9/307, 447-451

(56) **References Cited**

U.S. PATENT DOCUMENTS

D327,816 S	*	7/1992	Paullin	D7/515
D327,817 S	*	7/1992	Paullin	D7/515
D344,659 S	*	3/1994	Hsu	D7/613
D349,629 S	*	8/1994	Redmon	D7/606
5,511,685 A	*	4/1996	Nelson	220/662
D373,928 S	*	9/1996	Green	D7/392.1
D378,197 S	*	2/1997	Leverette et al.	D9/451
D405,318 S	*	2/1999	Steinfels	D7/515
D419,880 S	*	2/2000	Adams	D9/451
D428,768 S	*	8/2000	Betras	D7/510
D441,607 S	*	5/2001	Steinfels	D7/515

D442,029 S	*	5/2001	Otake	D7/510
D442,434 S	*	5/2001	Klima et al.	D7/510
D448,244 S	*	9/2001	Thomas	D7/510
D448,971 S	*	10/2001	Hughes	D7/392.1
D461,679 S	*	8/2002	Robinson et al.	D7/392.1

* cited by examiner

Primary Examiner—M. N. Pandozzi

(74) *Attorney, Agent, or Firm*—Salter & Michaelson

(57) **CLAIM**

The ornamental design for an ornamental cover for a beverage container, as shown and described.

DESCRIPTION

FIG. 1 is a perspective view of an ornamental cover for a beverage container showing my new design in an installed position;

FIG. 2 is a sectional view thereof taken along line 2—2 of FIG. 1;

FIG. 3 is an exploded perspective view thereof;

FIG. 4 is a left side elevational view thereof;

FIG. 5 is a right side elevational view thereof;

FIG. 6 is a top plan view thereof;

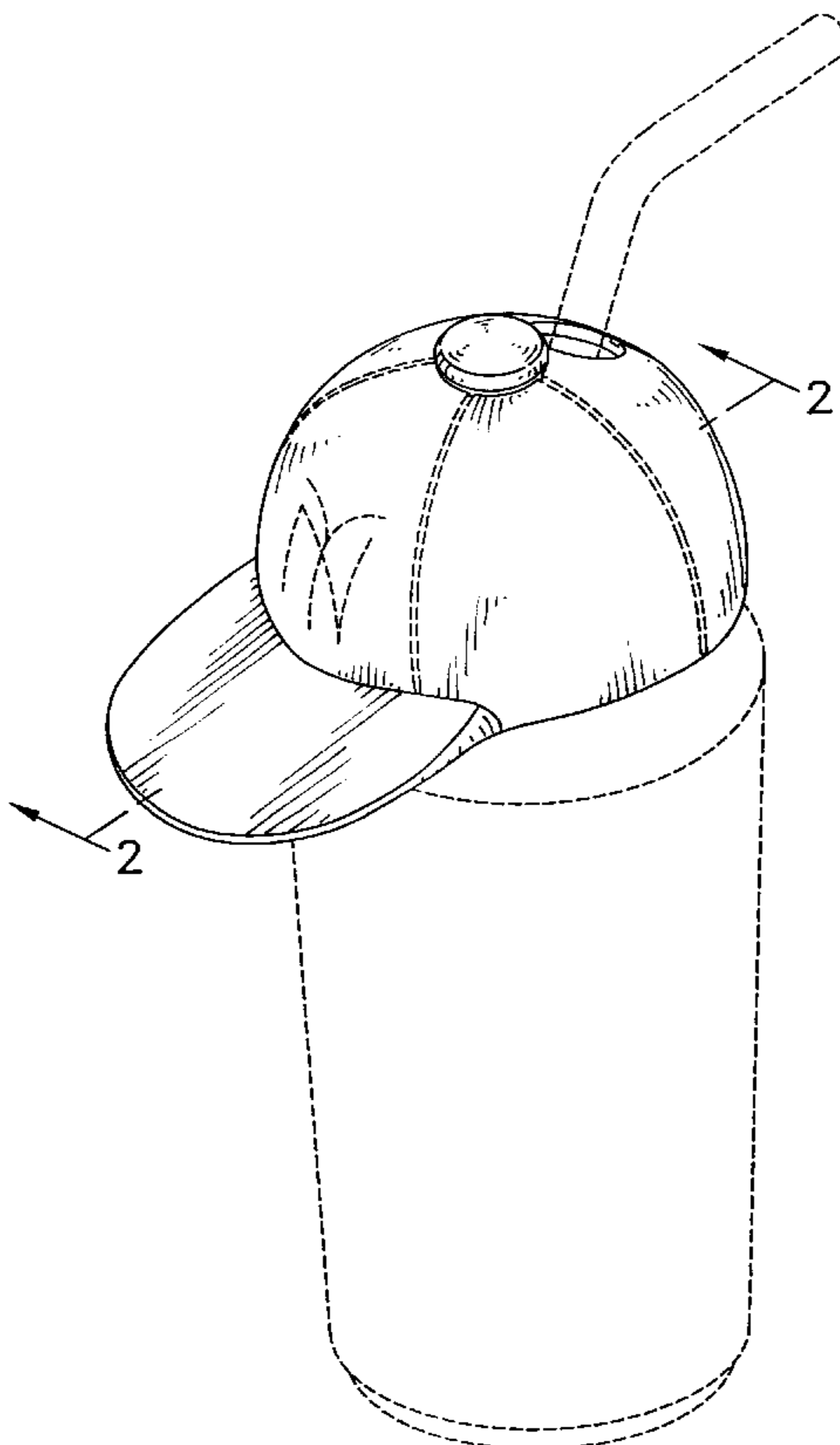
FIG. 7 is a bottom plan view thereof;

FIG. 8 is a front elevational view thereof; and,

FIG. 9 is a back elevational view thereof.

The portion shown in broken lines are included for illustrative purpose only and form no part of the claimed design.

1 Claim, 6 Drawing Sheets



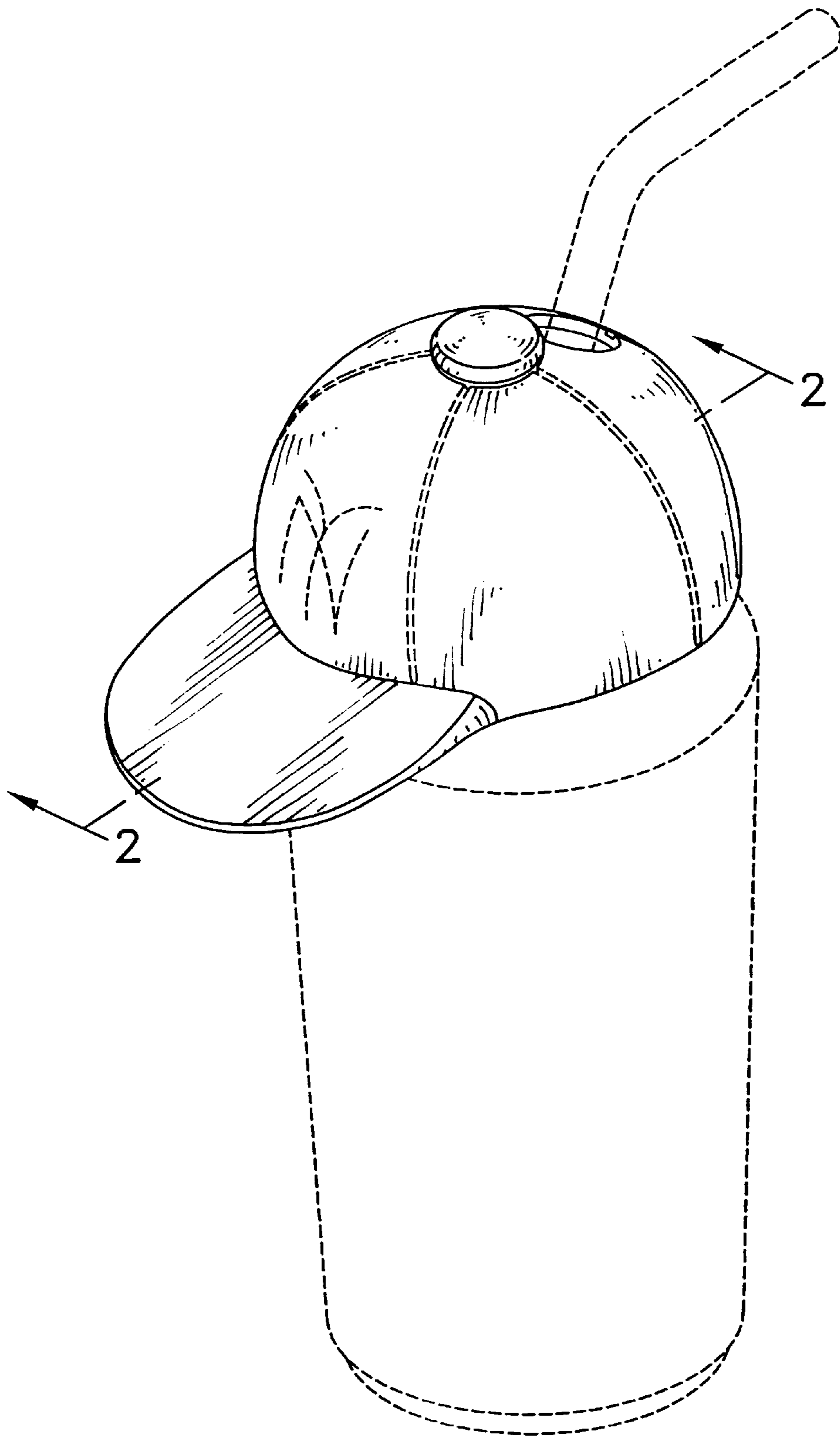


FIG. 1

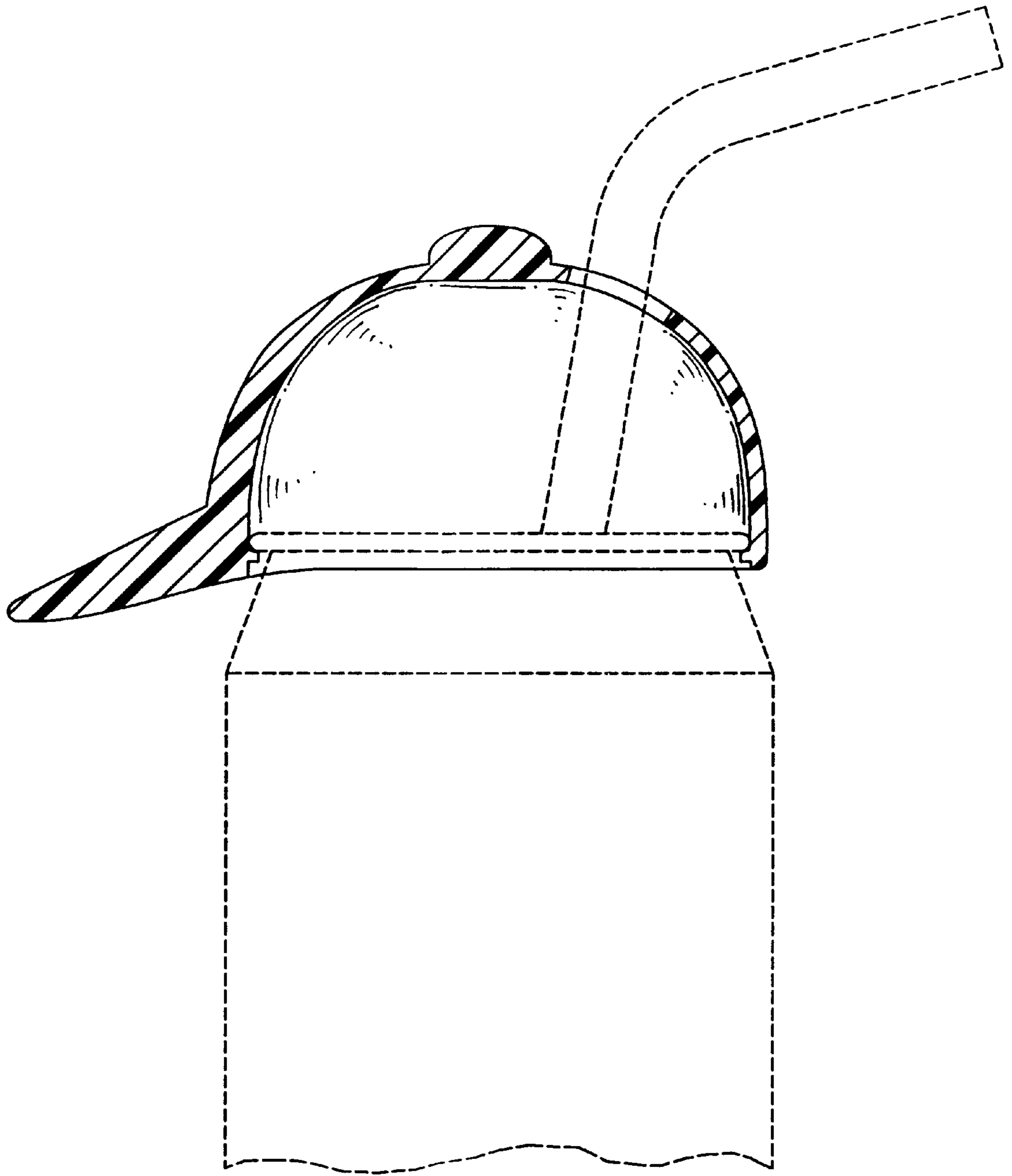


FIG. 2

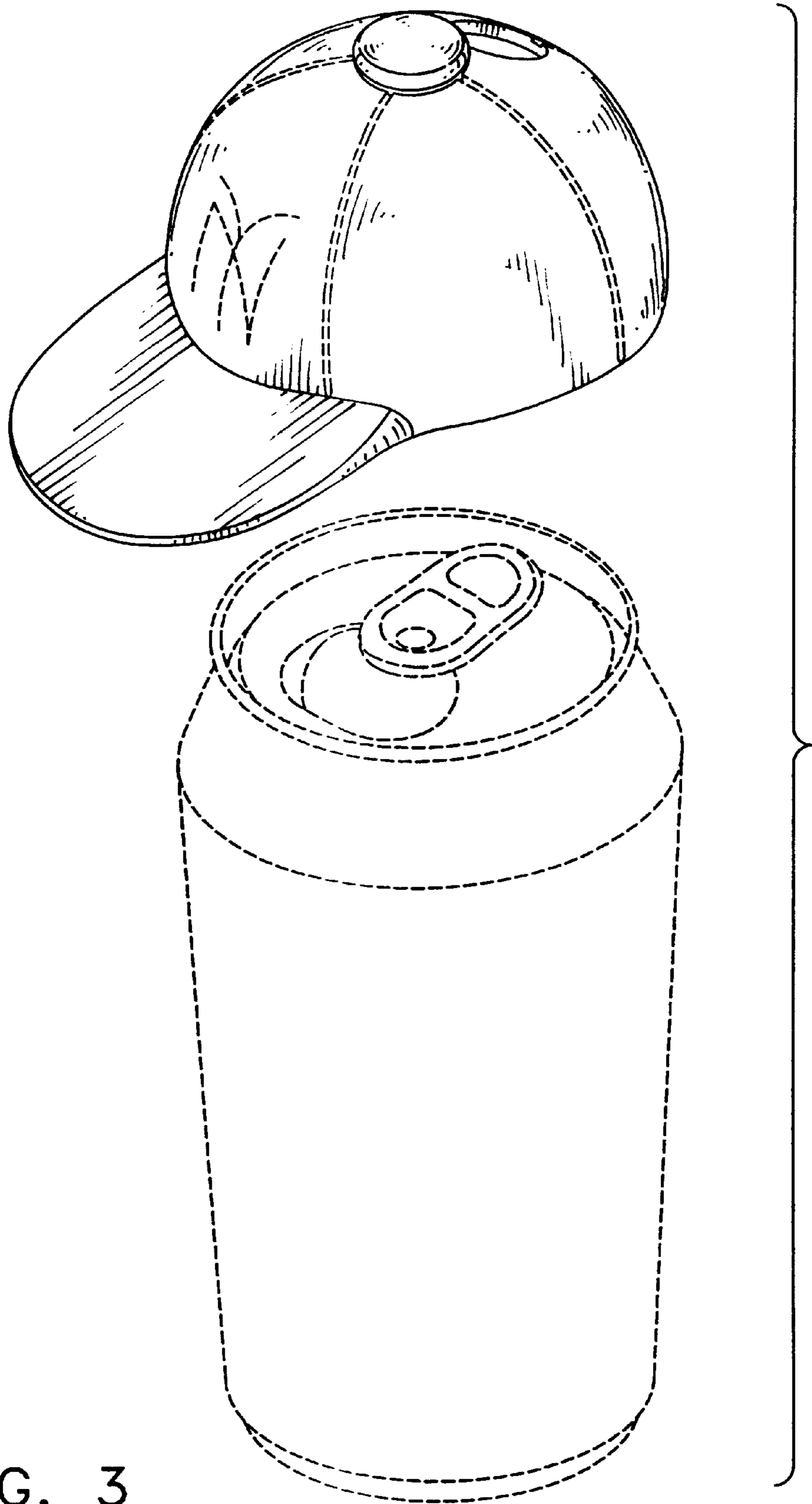


FIG. 3

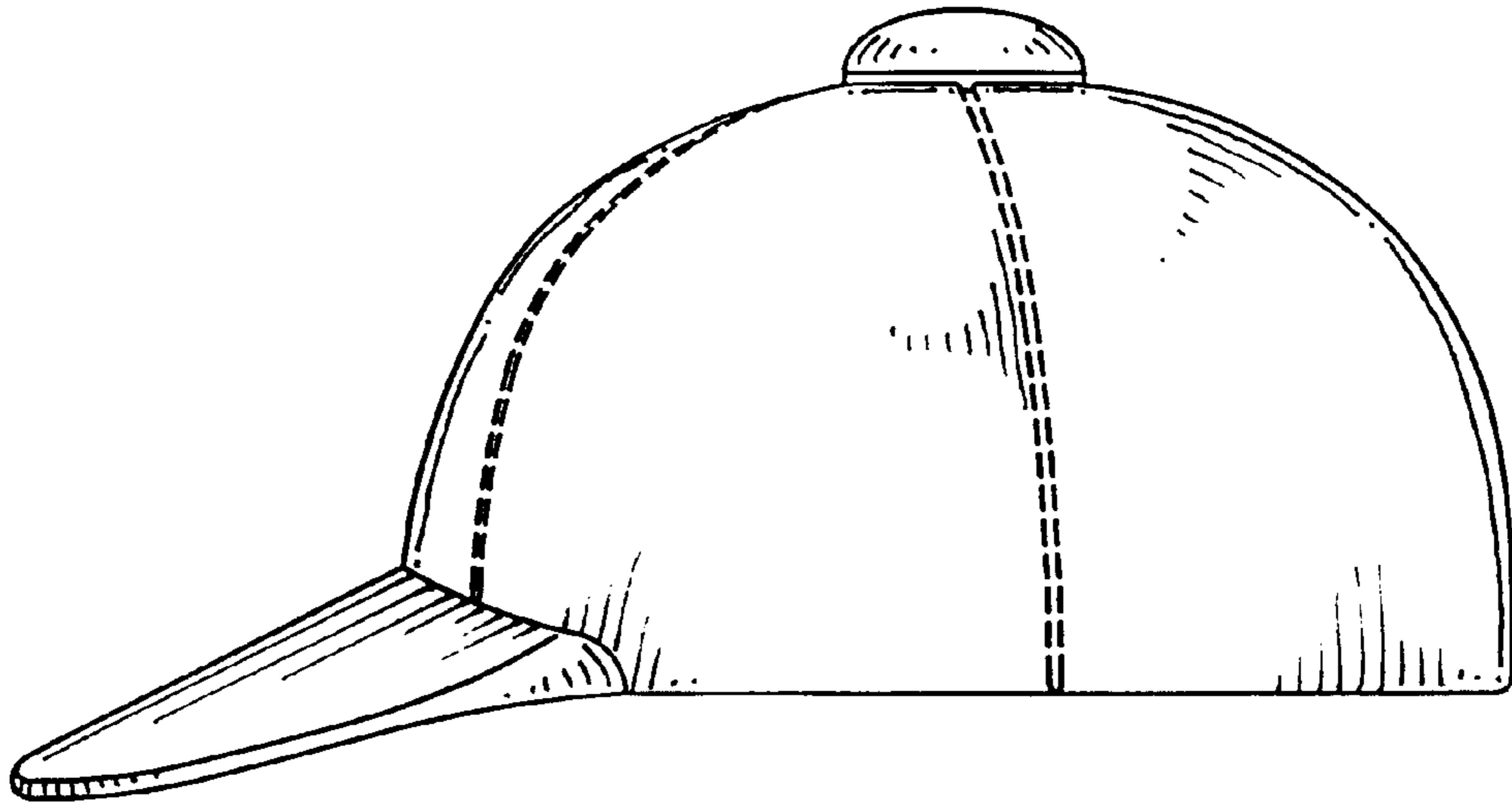


FIG. 4

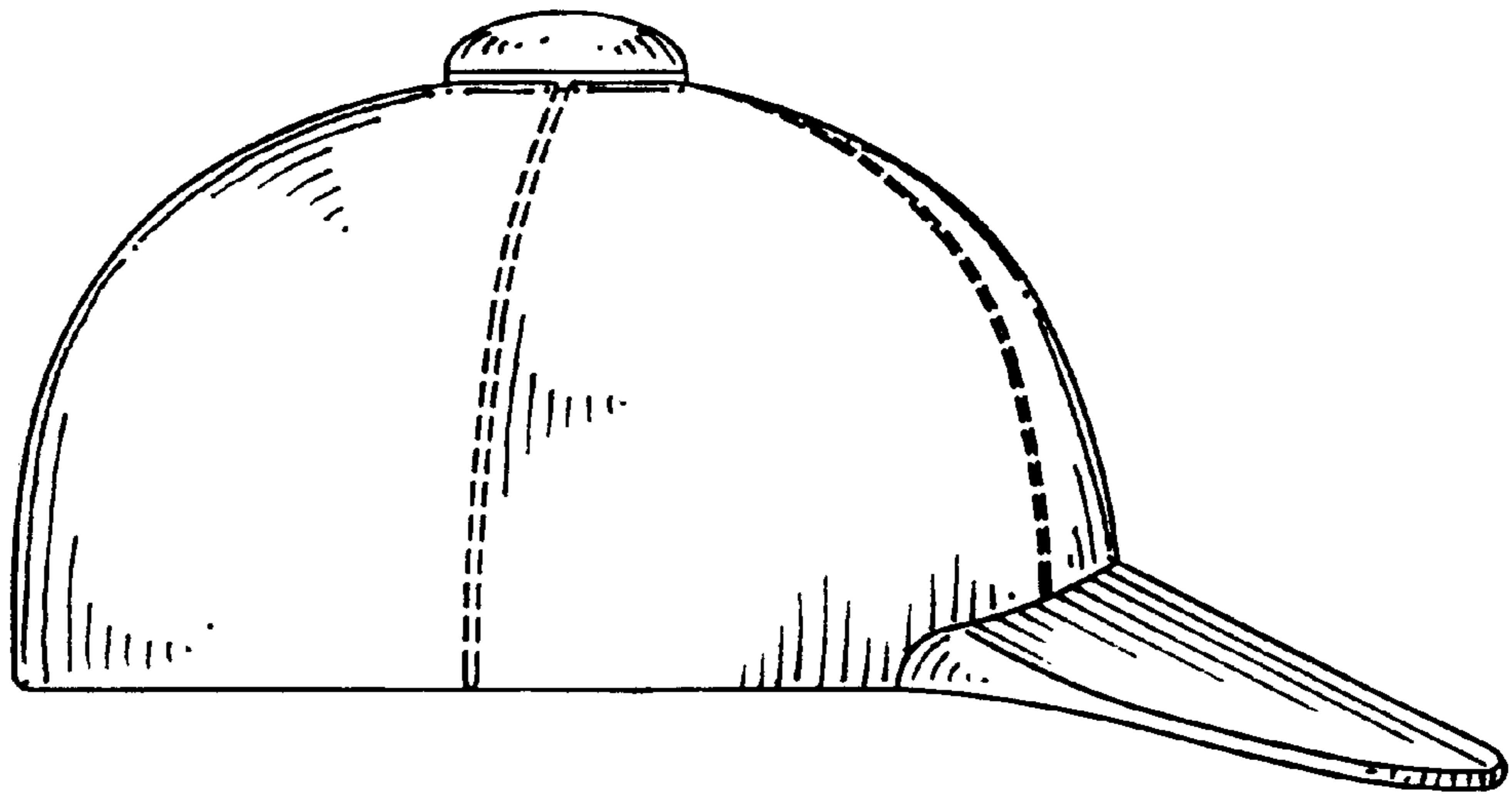


FIG. 5

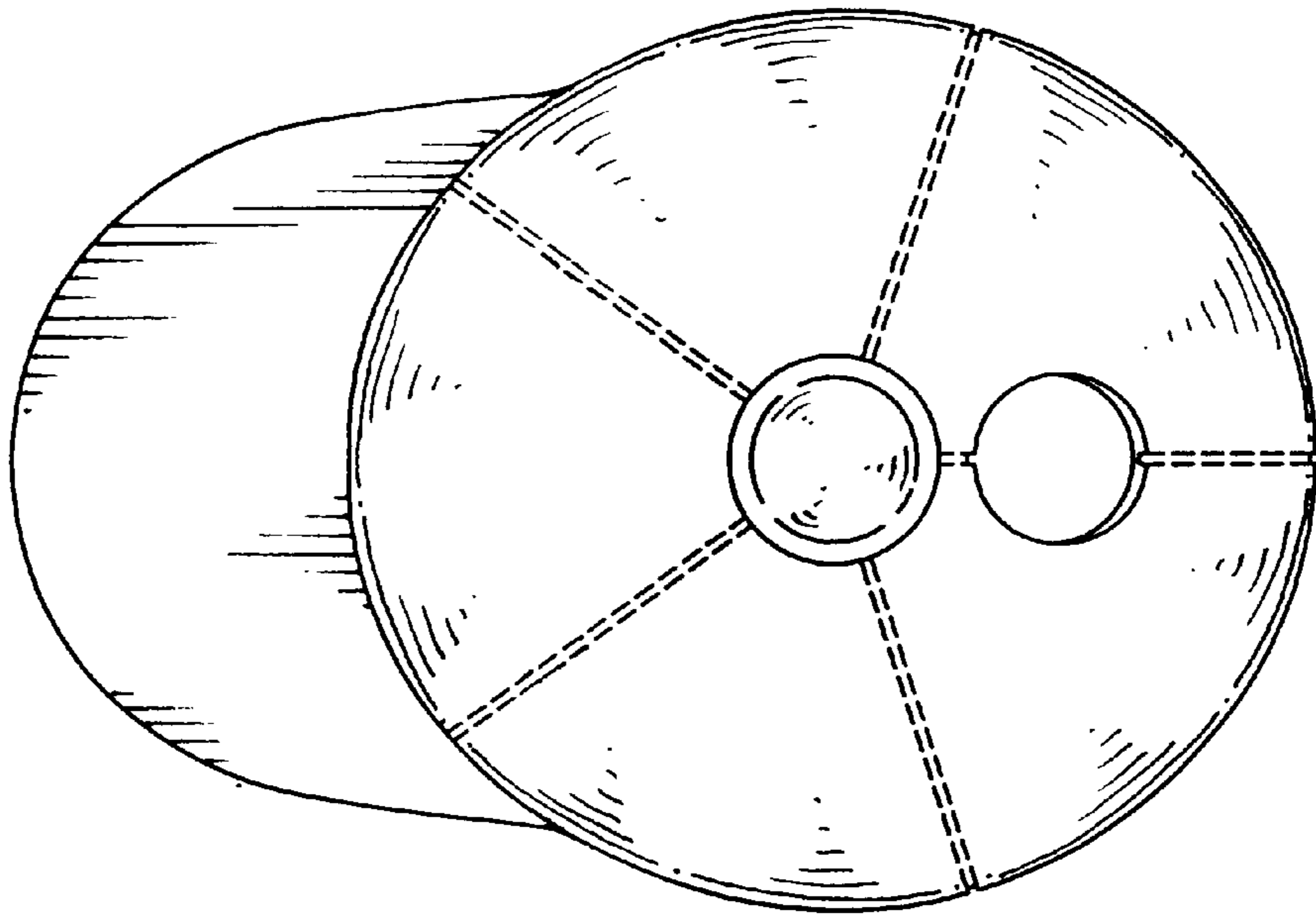


FIG. 6

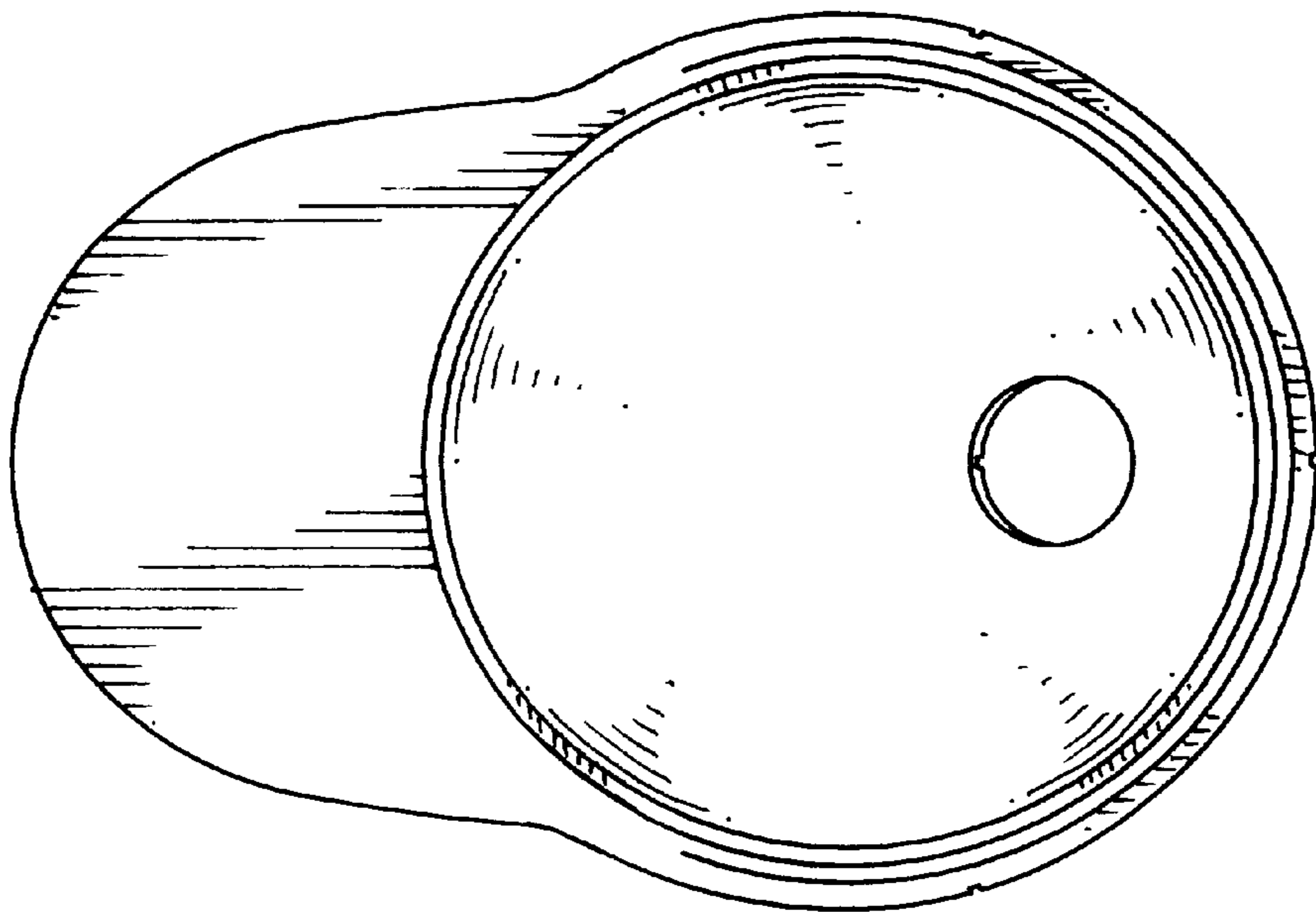


FIG. 7

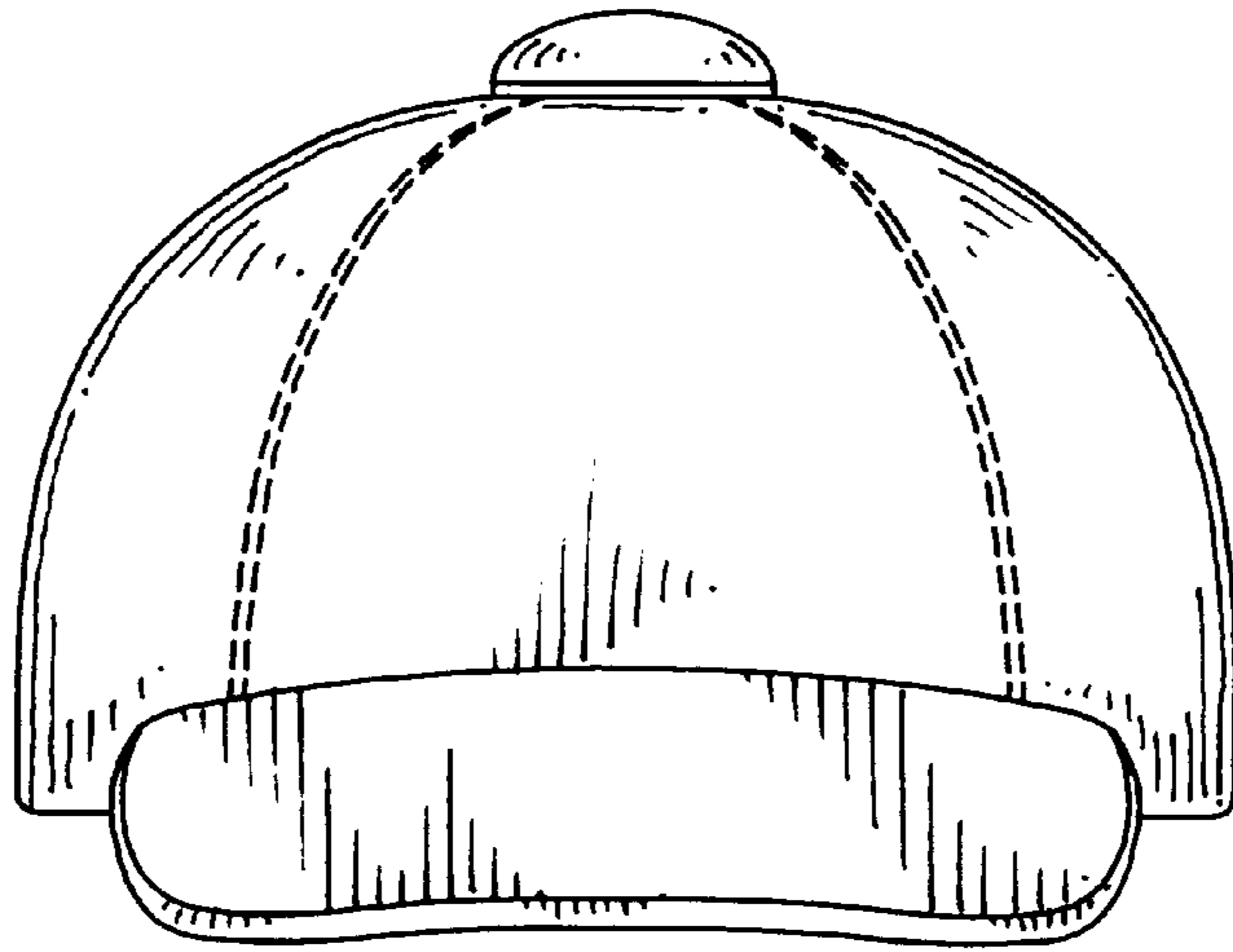


FIG. 8

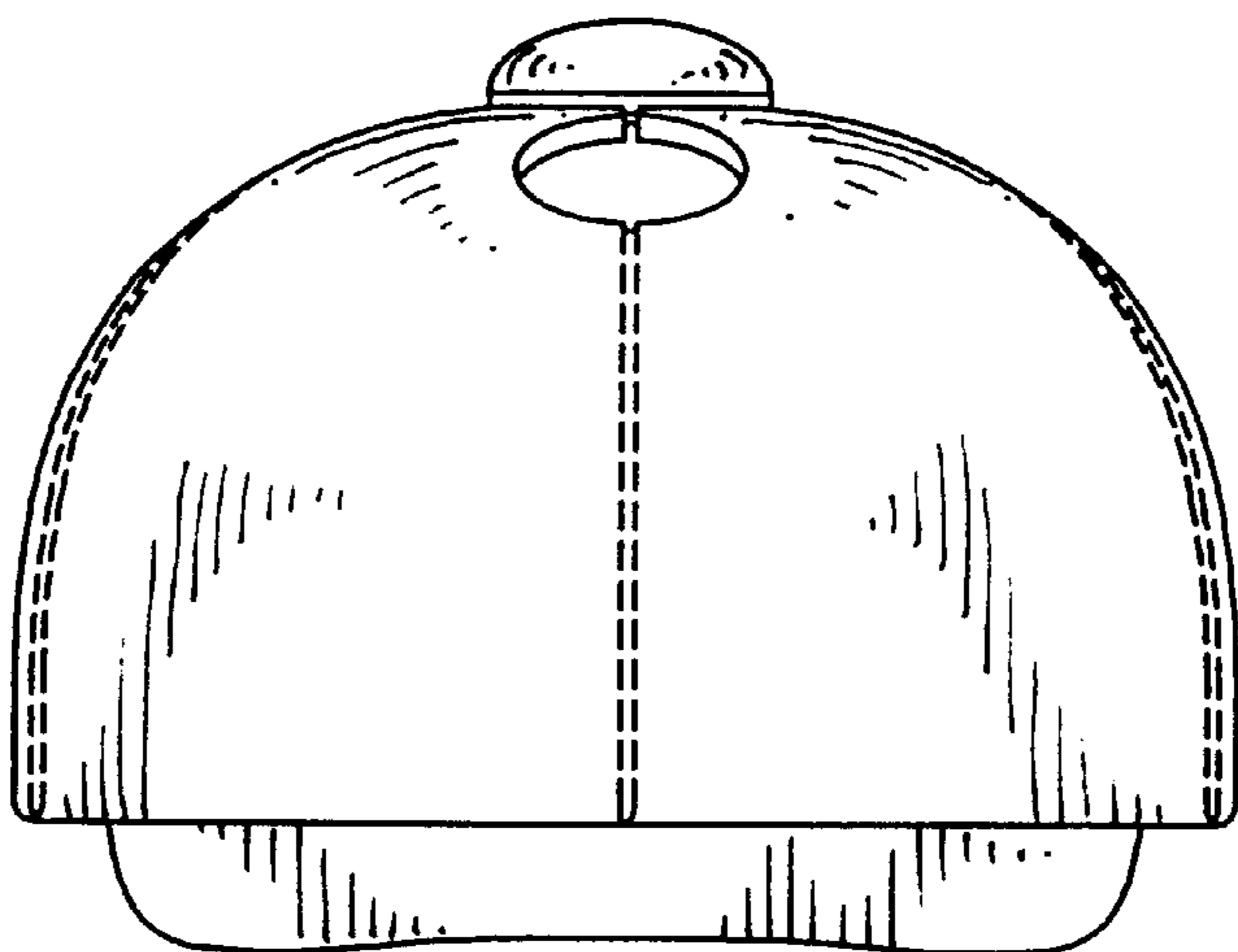


FIG. 9