



US00D474937S

(12) **United States Design Patent**
Josancy

(10) **Patent No.:** **US D474,937 S**

(45) **Date of Patent:** **** May 27, 2003**

(54) **FRYER**

D395,786 S * 7/1998 Rossi D7/354
D463,711 S * 10/2002 Josancy D7/354

(75) Inventor: **Luc Josancy**, Sainte Colombe (FR)

* cited by examiner

(73) Assignee: **SEB**, Selongey (FR)

Primary Examiner—Caron D. Veynar

(**) Term: **14 Years**

(74) *Attorney, Agent, or Firm*—Browdy and Neimark, P.L.L.C.

(21) Appl. No.: **29/167,092**

(57) **CLAIM**

(22) Filed: **Sep. 10, 2002**

The ornamental design for a fryer, as shown and described.

(30) **Foreign Application Priority Data**

DESCRIPTION

Mar. 11, 2002 (FR) 02 1722

(51) **LOC (7) Cl.** **07-02**

(52) **U.S. Cl.** **D7/354**

(58) **Field of Search** D7/323, 354-361;
99/331, 403, 410, 411, 413; 219/429, 432,
438, 440

FIG. 1 is a front elevational view of a fryer in accordance with the present design;

FIG. 2 is a back elevational view thereof;

FIG. 3 is a left elevational view thereof;

FIG. 4 is a right elevational view thereof;

FIG. 5 is a top plan view thereof;

FIG. 6 is a bottom plan view thereof; and,

FIG. 7 is a perspective view thereof.

(56) **References Cited**

U.S. PATENT DOCUMENTS

D387,243 S * 12/1997 Bumoux D7/354

1 Claim, 7 Drawing Sheets



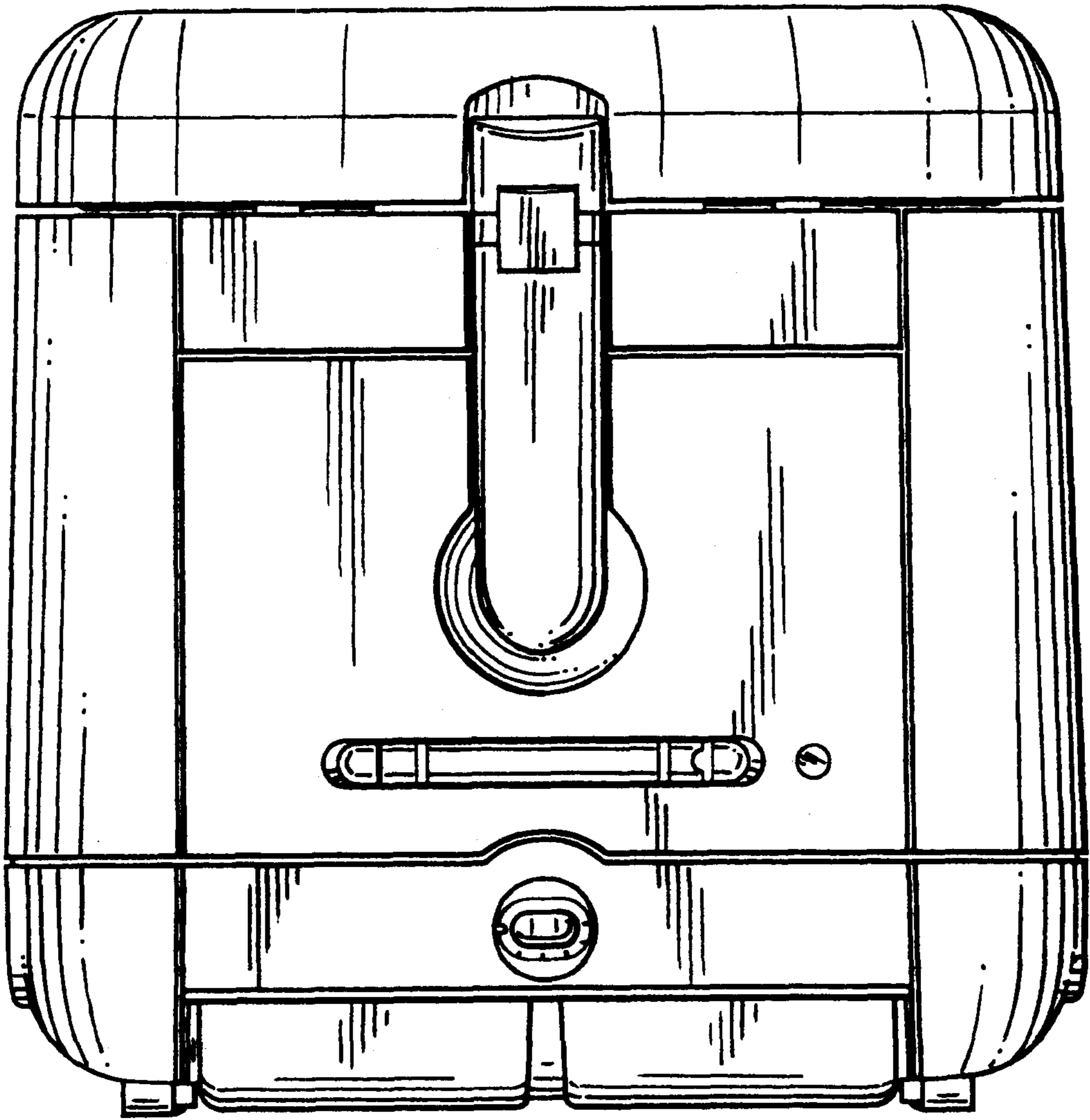


FIG. 1

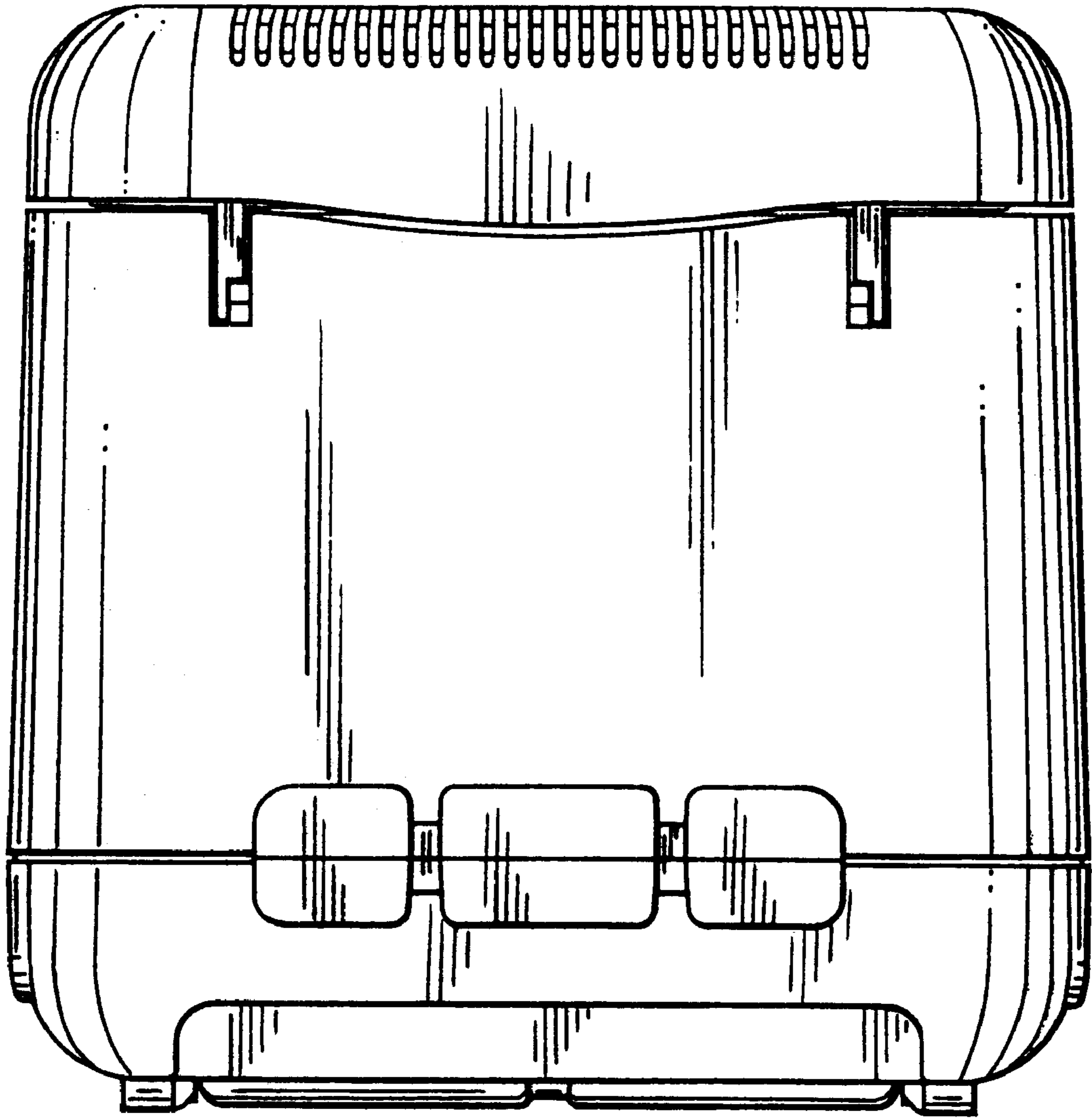


FIG. 2

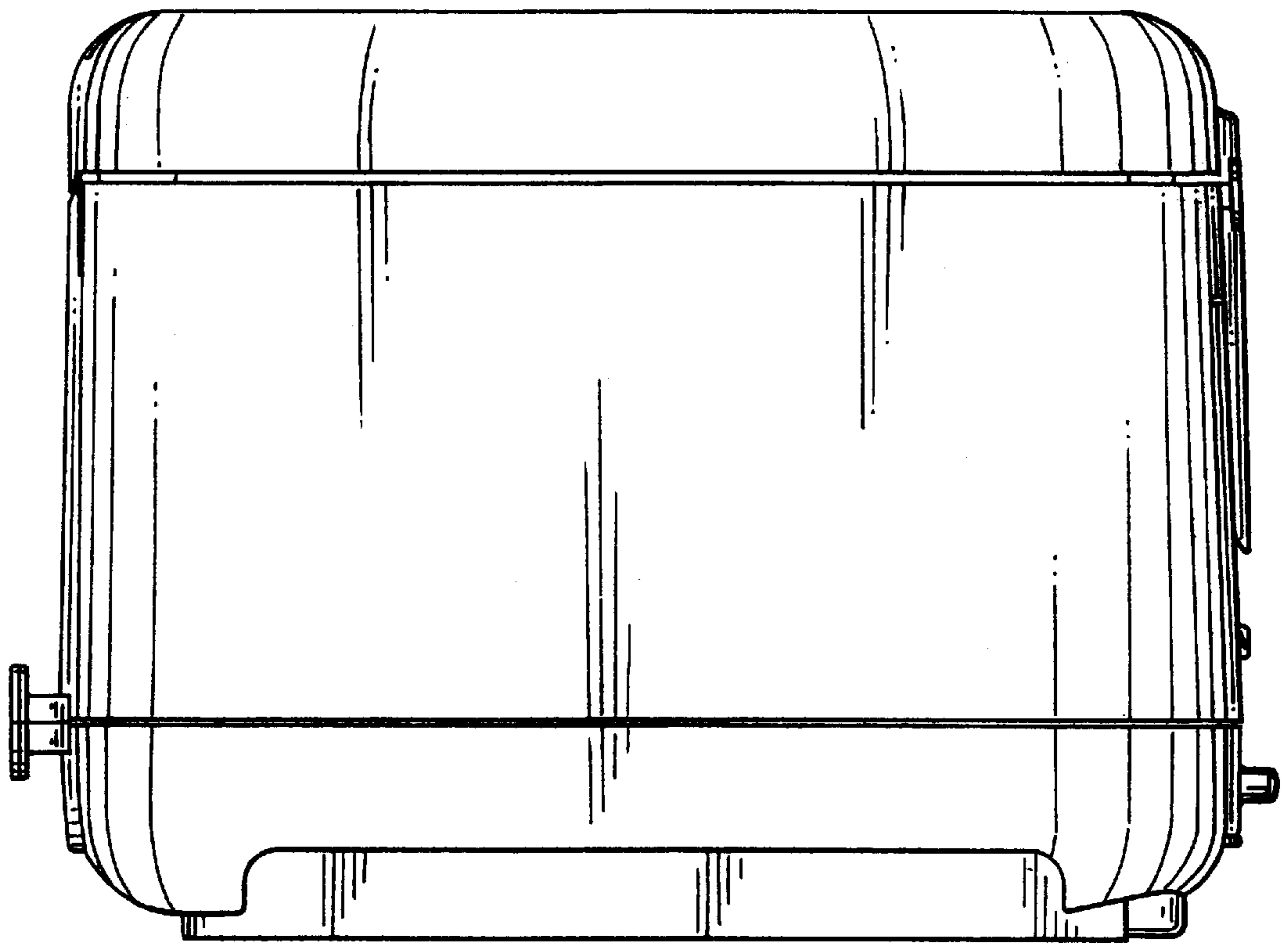


FIG. 3

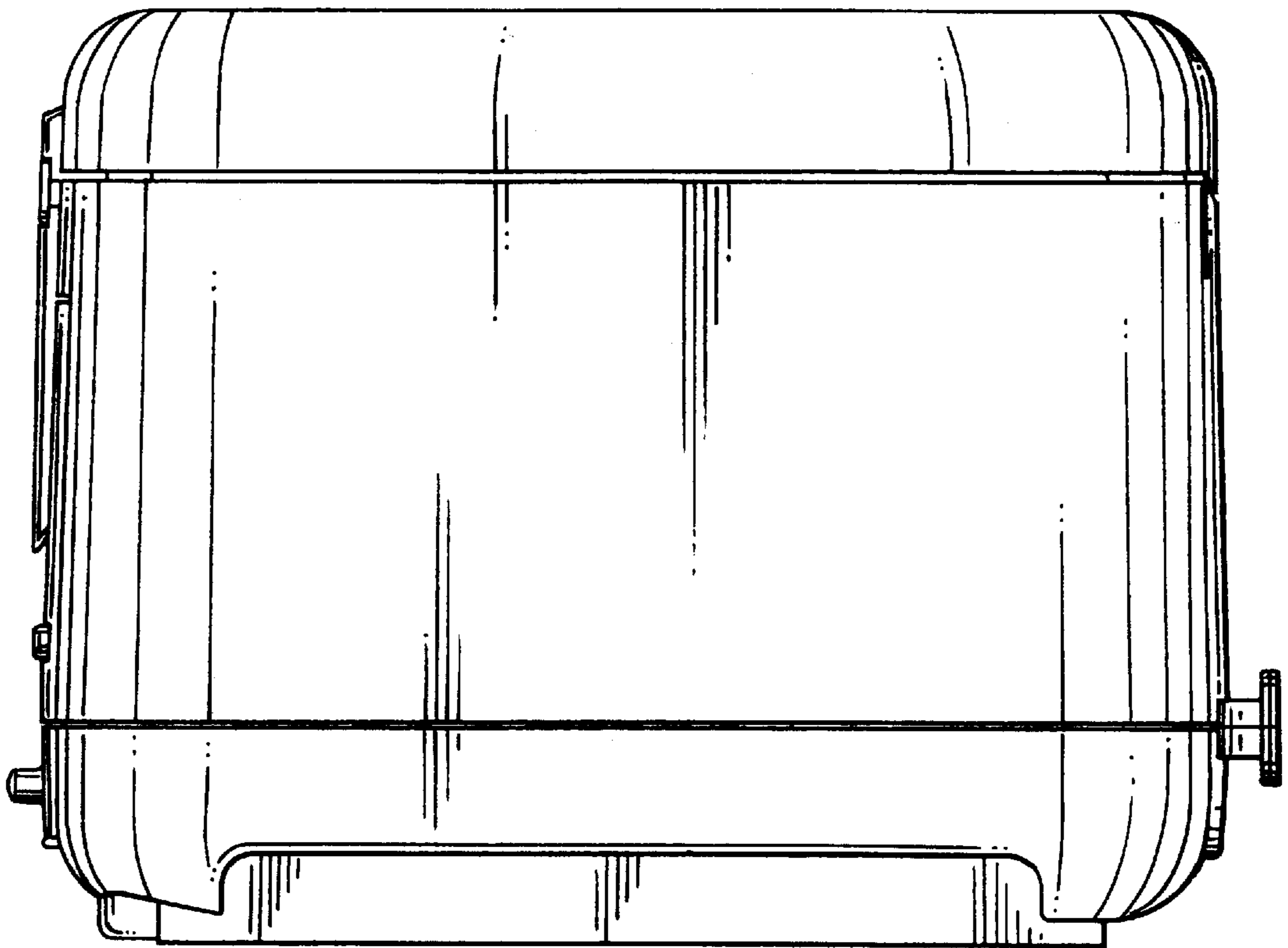


FIG. 4

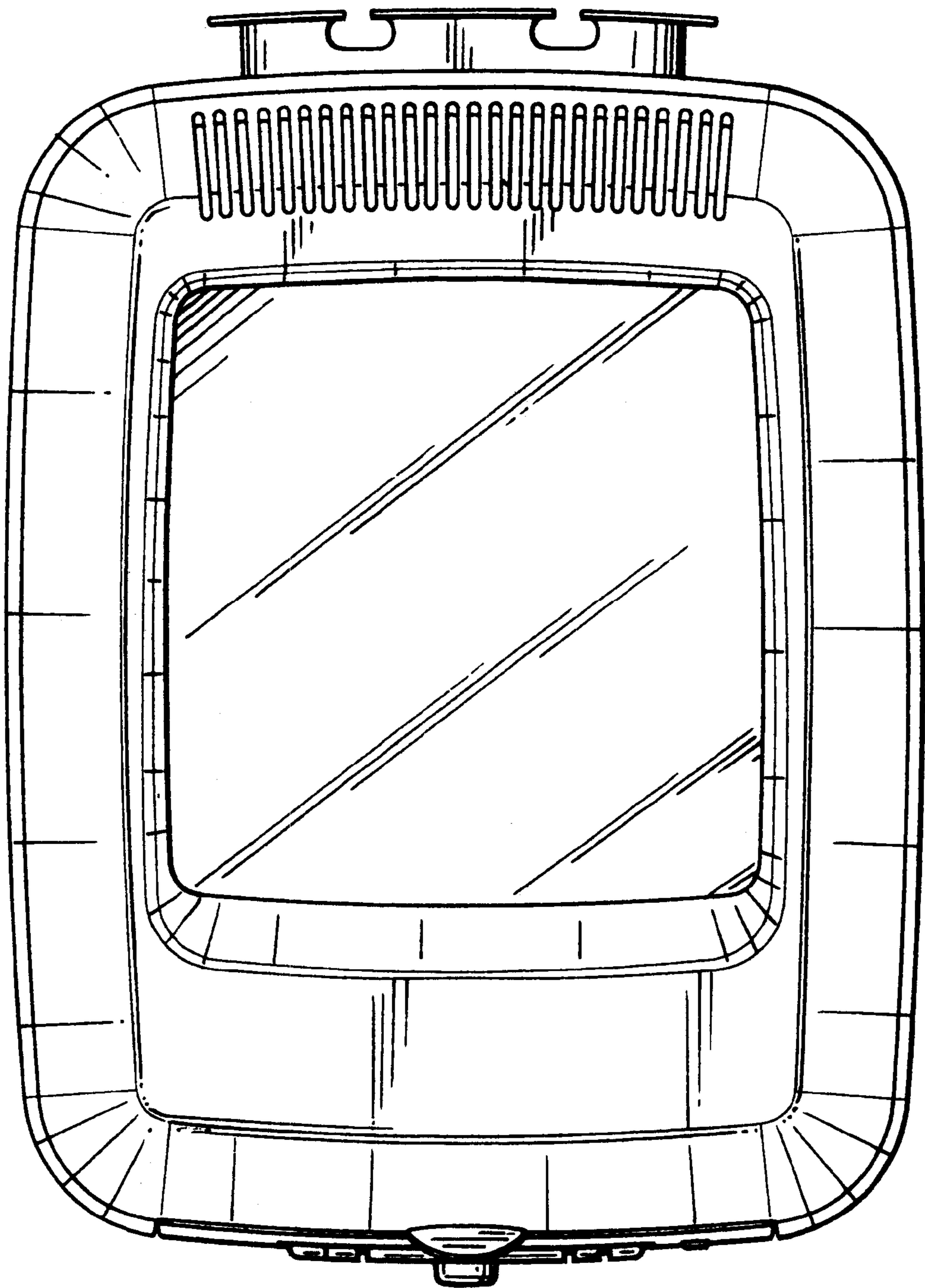


FIG. 5

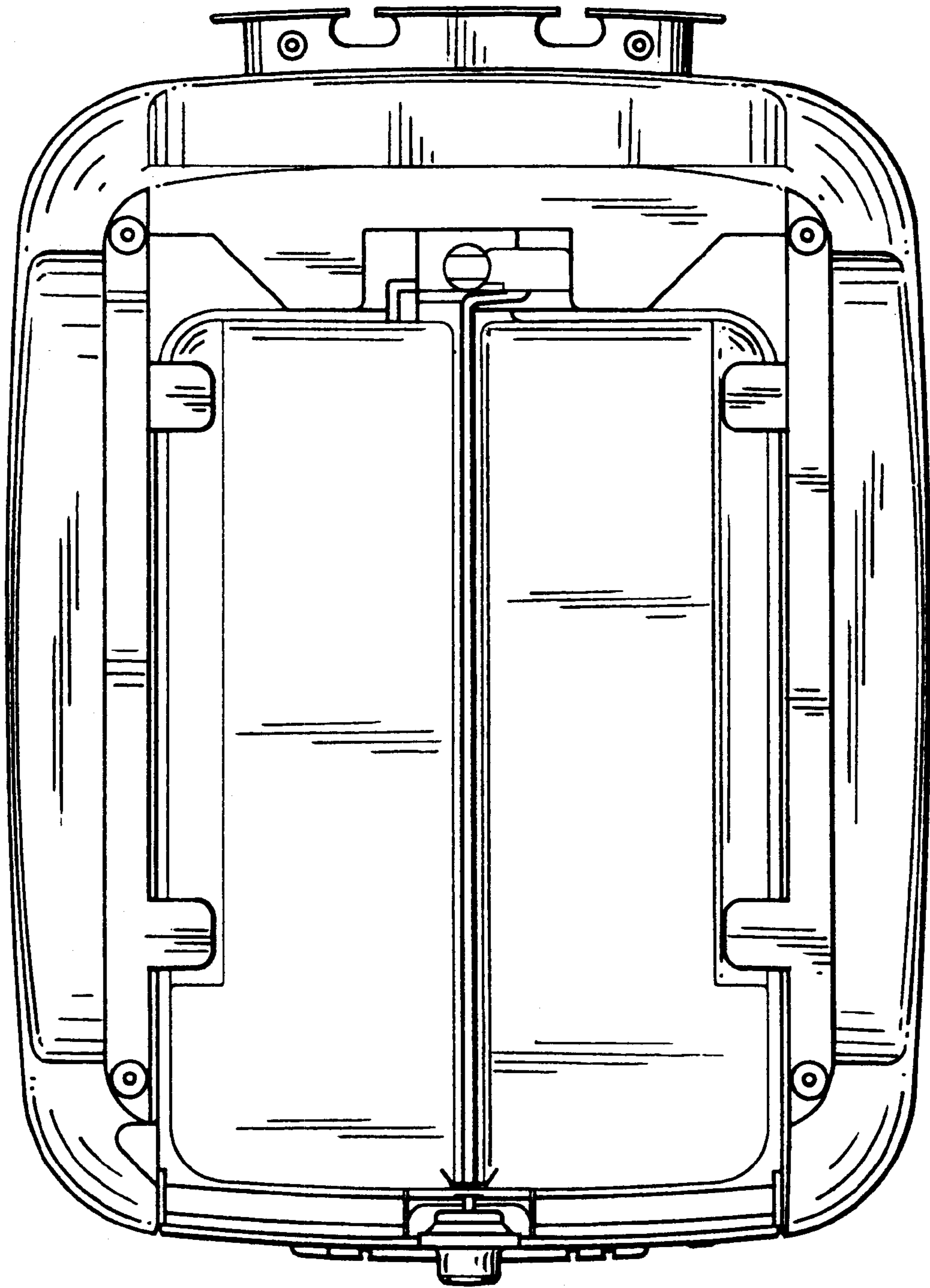


FIG. 6



FIG. 7