



US00D474935S

(12) **United States Design Patent**
Goto

(10) **Patent No.:** **US D474,935 S**

(45) **Date of Patent:** **** May 27, 2003**

(54) **CASE FOR AN OPTICAL DISK AND MEMORY CARD**

(75) Inventor: **Teiyu Goto, Tokyo (JP)**

(73) Assignee: **Sony Computer Entertainment Inc., Tokyo (JP)**

(**) Term: **14 Years**

(21) Appl. No.: **29/123,707**

(22) Filed: **May 24, 2000**

(30) **Foreign Application Priority Data**

Dec. 28, 1999	(JP)	11-37151
Jan. 12, 2000	(JP)	2000-000158
Jan. 12, 2000	(JP)	2000-000159
Jan. 12, 2000	(JP)	2000-000160
Jan. 12, 2000	(JP)	2000-000157

(51) **LOC (7) Cl.** **19-04**

(52) **U.S. Cl.** **D6/631; D6/407**

(58) **Field of Search** **D3/201, 218; D6/407, D6/626-635; D19/26, 27, 32; 206/307.1, 308.1, 308.2, 308.3, 309, 311, 312, 387.11, 387.13, 387.15; 369/37, 75.2, 291; 379/355**

(56) **References Cited**

U.S. PATENT DOCUMENTS

D226,146	S	*	1/1973	Price	
D245,454	S	*	8/1977	Feingold et al.	D6/407
4,518,275	A	*	5/1985	Rauch, III et al.	
D280,951	S	*	10/1985	Holland	D6/631
D281,056	S	*	10/1985	Tour	D9/337
D288,983	S	*	3/1987	Juhas et al.	D6/634
4,718,550	A	*	1/1988	Johnson	206/387.13
D318,368	S	*	7/1991	Evans	D6/634
D324,337	S	*	3/1992	Brady	D9/425
D335,215	S	*	5/1993	Stumpff	D6/634
D342,379	S	*	12/1993	Taniyama	D6/634
D347,320	S	*	5/1994	Corday	D6/634
5,344,039	A	*	9/1994	Taniyama	220/520
D358,961	S	*	6/1995	Lax	D6/634
D363,632	S	*	10/1995	Ohta	D6/634
D366,802	S	*	2/1996	Roberts et al.	D6/632

D375,015	S	*	10/1996	Kobayashi et al.	D6/632
D377,731	S	*	2/1997	Fernandez	D6/634
D378,333	S	*	3/1997	Anderson	D6/632
5,769,217	A	*	6/1998	Derraugh et al.	206/308.1
5,788,068	A	*	8/1998	Fraser et al.	206/310
5,944,181	A	*	8/1999	Lau	206/308.1
D420,240	S	*	2/2000	Sorenson et al.	D6/632

(List continued on next page.)

FOREIGN PATENT DOCUMENTS

JP 934771 9/1995

OTHER PUBLICATIONS

US 2001/0021167 A1—Patent Application Publication—Sep. 13, 2001.*

Primary Examiner—Celia Murphy

(74) *Attorney, Agent, or Firm*—Rader, Fishman & Grauer PLLC

(57) **CLAIM**

The ornamental design for a case for an optical disk and memory card, as shown and described.

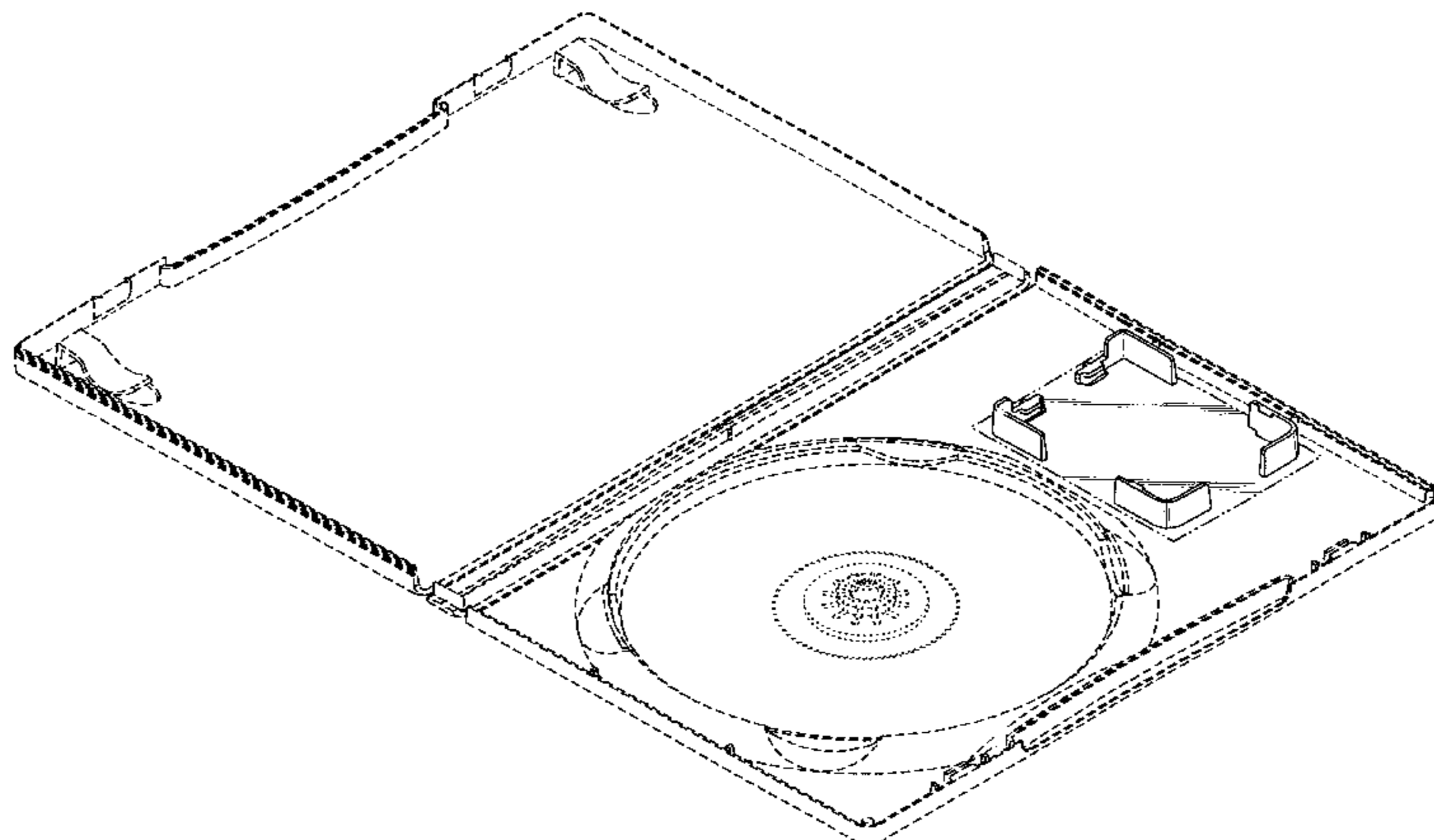
DESCRIPTION

FIG. 1 is a perspective view of a case for an optical disk and memory card, particularly a portion where a memory card is to be positioned, showing my new design; FIG. 2 is a front elevational view thereof; FIG. 3 is a rear elevational view thereof; FIG. 4 is a top plan view thereof, a bottom plan view thereof being a mirror image; FIG. 5 is a left side elevational view thereof; and, FIG. 6 is a right side elevational view thereof.

Portions in even broken lines are for illustrative purposes only and form no part of the claimed design. The dot-dash broken lines define, but are not included in, the boundaries of the claimed design.

The broken lines showing the hub feature are included to illustrate the environment in which the design resides, and forms no part of the claim.

1 Claim, 4 Drawing Sheets



US D474,935 S

Page 2

U.S. PATENT DOCUMENTS					
D433,266	S	*	11/2000	Peterson et al.	D6/634
6,164,446	A	*	12/2000	Law	206/308.1
D440,108	S	*	4/2001	Derman	D6/632
6,227,362	B1	*	5/2001	Cheung	206/308.1
6,237,763	B1	*	5/2001	Lau	206/308.1
6,293,396	B1	*	9/2001	Takahashi et al.	206/310

* cited by examiner

FIG.1

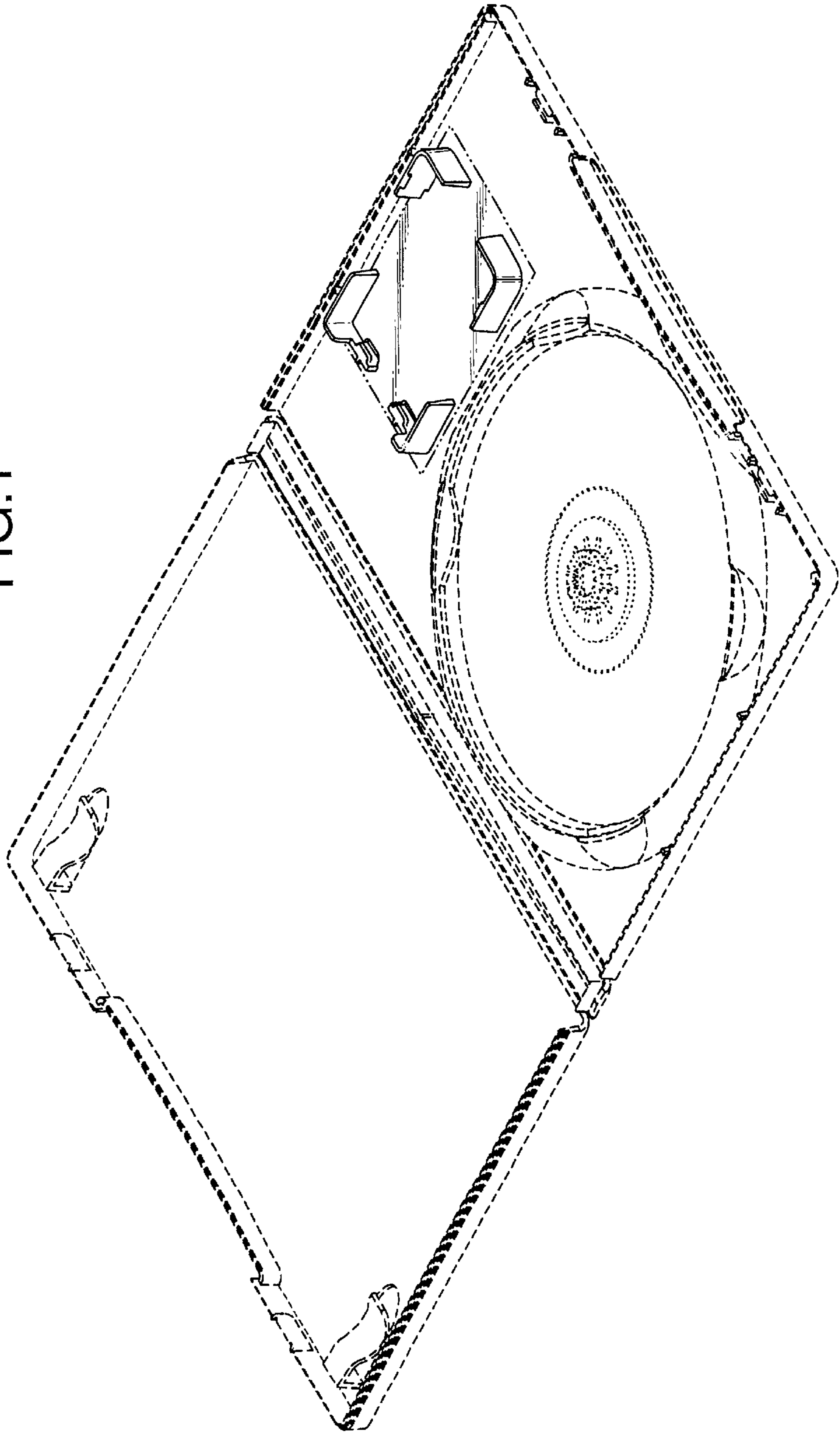


FIG.2

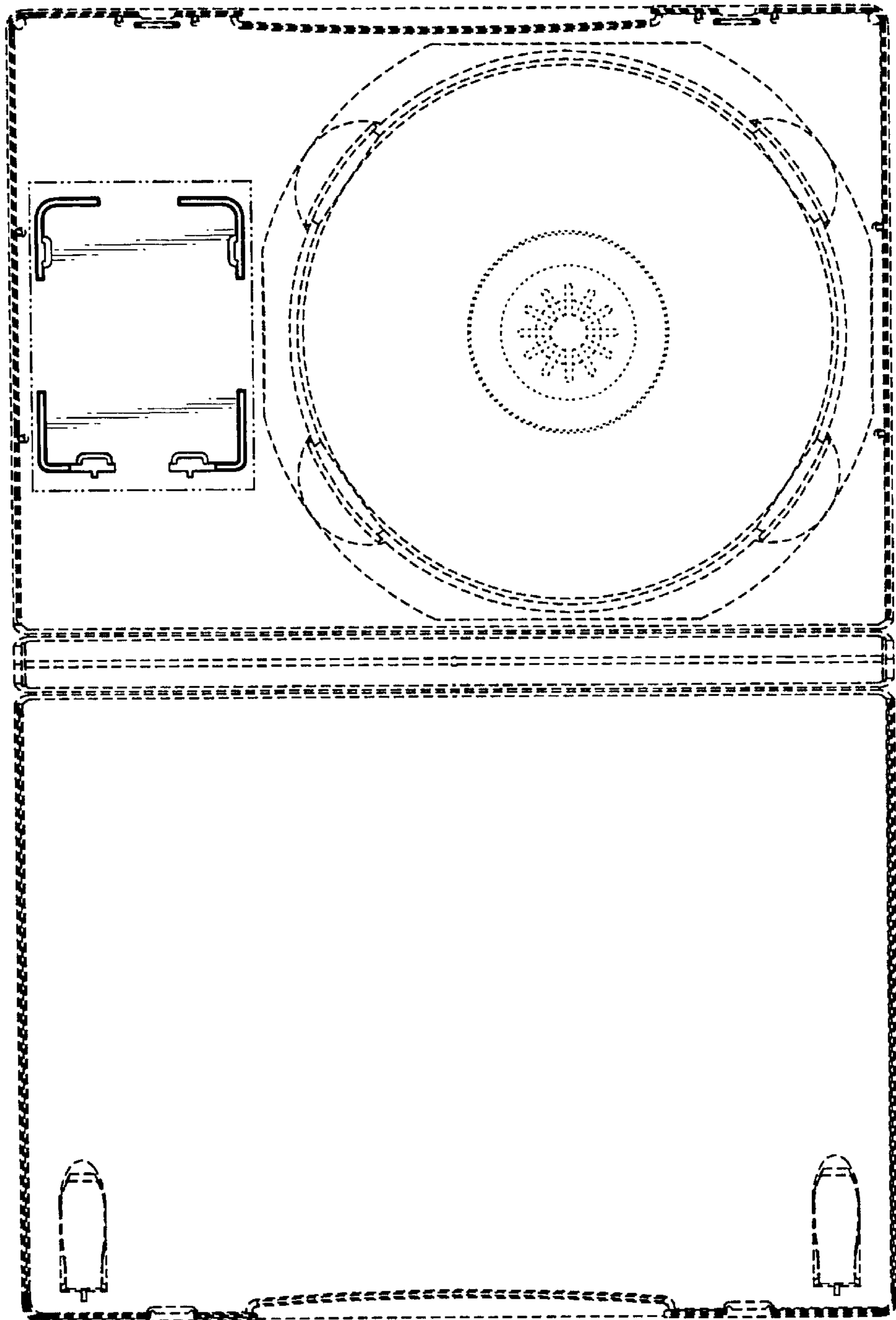


FIG.3

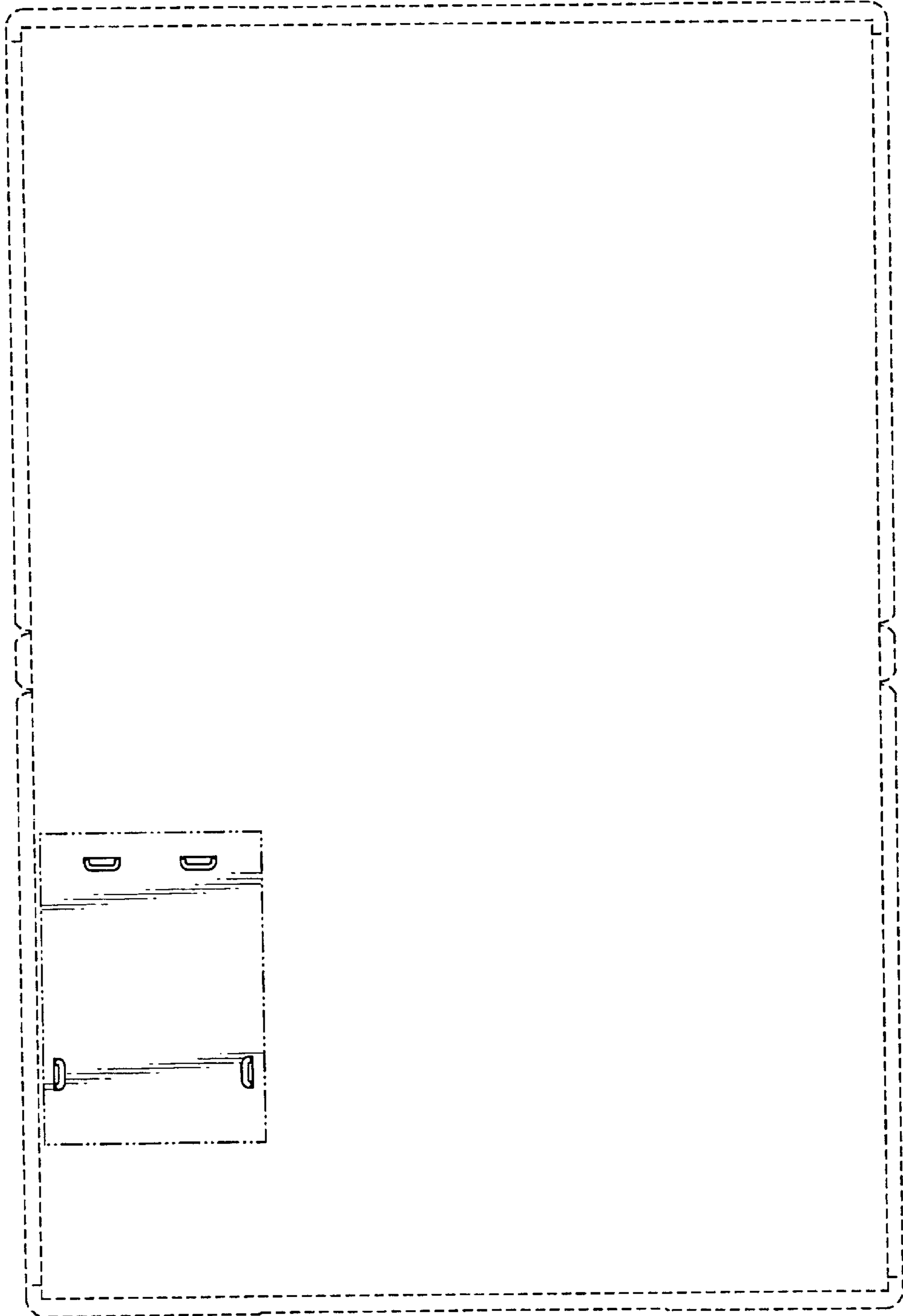


FIG.4

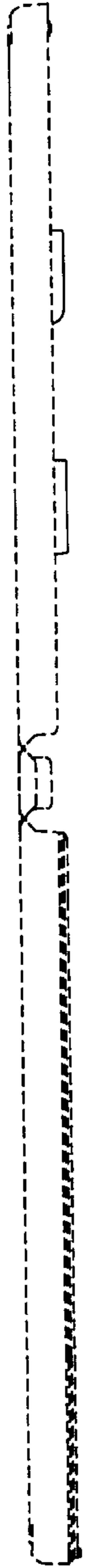


FIG.6

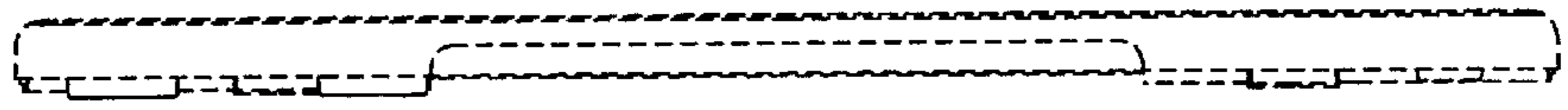


FIG.5

