



US00D474934S

(12) **United States Design Patent**
Ildstad et al.

(10) **Patent No.:** **US D474,934 S**

(45) **Date of Patent:** **** May 27, 2003**

(54) **CARRYING BAG ATTACHABLE TO STADIUM SEATS**

(76) Inventors: **Tom Ildstad**, 5004 190th St. SW.,
Lynnwood, WA (US) 98036; **James Cotton**, Interleague SportsCards, 16716
Hwy. 99, Suite H, Lynnwood, WA (US)
98037

(**) **Term:** **14 Years**

(21) **Appl. No.:** **29/145,689**

(22) **Filed:** **Jul. 30, 2001**

(51) **LOC (7) Cl.** **06-09**

(52) **U.S. Cl.** **D6/601**

(58) **Field of Search** D6/356, 595, 596,
D6/597, 598, 601, 604, 611, 612; 5/630,
632, 633, 636, 637, 638, 640, 644, 652,
652.1, 653, 654, 655, 655.3, 655.4, 655.5,
655.9, 656, 657.5, 907, 945; 224/153, 155,
584, 907; 297/129, 180.11, 188.2, 188.12,
195.1, 199, 219.1, 225, 228.1, 229, 452.41;
D3/216, 217, 274, 276, 289

(56) **References Cited**

U.S. PATENT DOCUMENTS

2,865,433 A	12/1958	Warner	
4,190,918 A *	3/1980	Harvell	297/228.1
D258,482 S *	3/1981	Strock	D6/596
4,556,250 A	12/1985	Chapman	
4,597,605 A *	7/1986	Gilbert	297/228.1
D293,868 S *	1/1988	Paletta et al.	D6/596
4,799,731 A	1/1989	Brown	
4,843,662 A *	7/1989	Handelman	5/653
D306,543 S *	3/1990	Pestuglicci et al.	D6/601
D308,454 S *	6/1990	Merli	D6/596
D312,741 S *	12/1990	Treadwell	D6/601
D318,392 S *	7/1991	Edelson	D6/596
D329,957 S *	10/1992	Hartnett	D6/601
D332,546 S *	1/1993	Waltner	D6/601
5,178,310 A	1/1993	Sowerby	
D357,609 S *	4/1995	Webb et al.	D6/596

D362,579 S *	9/1995	Short	D6/596
D366,800 S *	2/1996	Moore, Jr.	D6/596
5,516,193 A	5/1996	Simpson	
5,573,288 A	11/1996	Raffensperger	
D377,573 S *	1/1997	Morgan	D6/596
5,816,463 A	10/1998	Echeverri	
5,894,977 A	4/1999	Krueger et al.	
D413,037 S *	8/1999	Bellington	D6/596
5,988,465 A	11/1999	Vitale et al.	
6,206,463 B1 *	3/2001	Whigham	297/129

* cited by examiner

Primary Examiner—Doris V. Coles

Assistant Examiner—T. Chase Nelson

(74) *Attorney, Agent, or Firm*—Tom Hamill, Jr.

(57) **CLAIM**

The ornamental design for the carrying bag attachable to stadium seats, as shown and described.

DESCRIPTION

FIG. 1 is an environmental perspective view of the backpack attachable to stadium seats;

FIG. 2 is a top side view of the carrying bag attachable to stadium seats;

FIG. 3 is a bottom side view for a carrying bag attachable to stadium seats;

FIG. 4 is a front side view for a carrying bag attachable to stadium seats;

FIG. 5 is a rear side view of the carrying bag attachable to stadium seats;

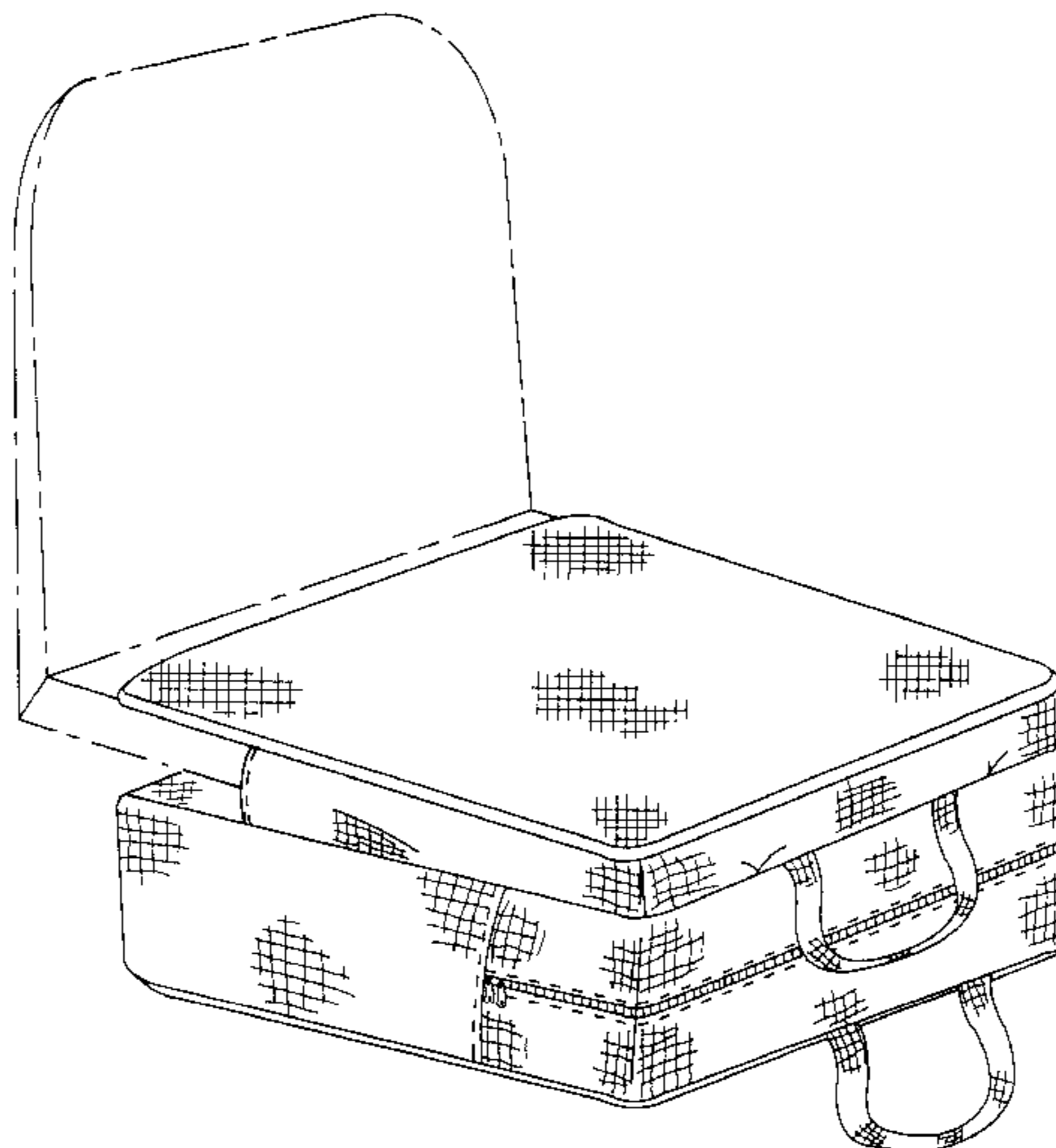
FIG. 6 is a right side view of the carrying bag attachable to stadium seats; and,

FIG. 7 is a left side view of the carrying bag attachable to stadium seats.

The broken line in FIG. 1 shows a seat to which the carrying bag attachable to stadium seats is affixed to. This broken line is for illustration purposes only and forms no part of the claimed design.

The dashed lines shown on the carrying bag attachable to stadium seats represent stitching.

1 Claim, 5 Drawing Sheets



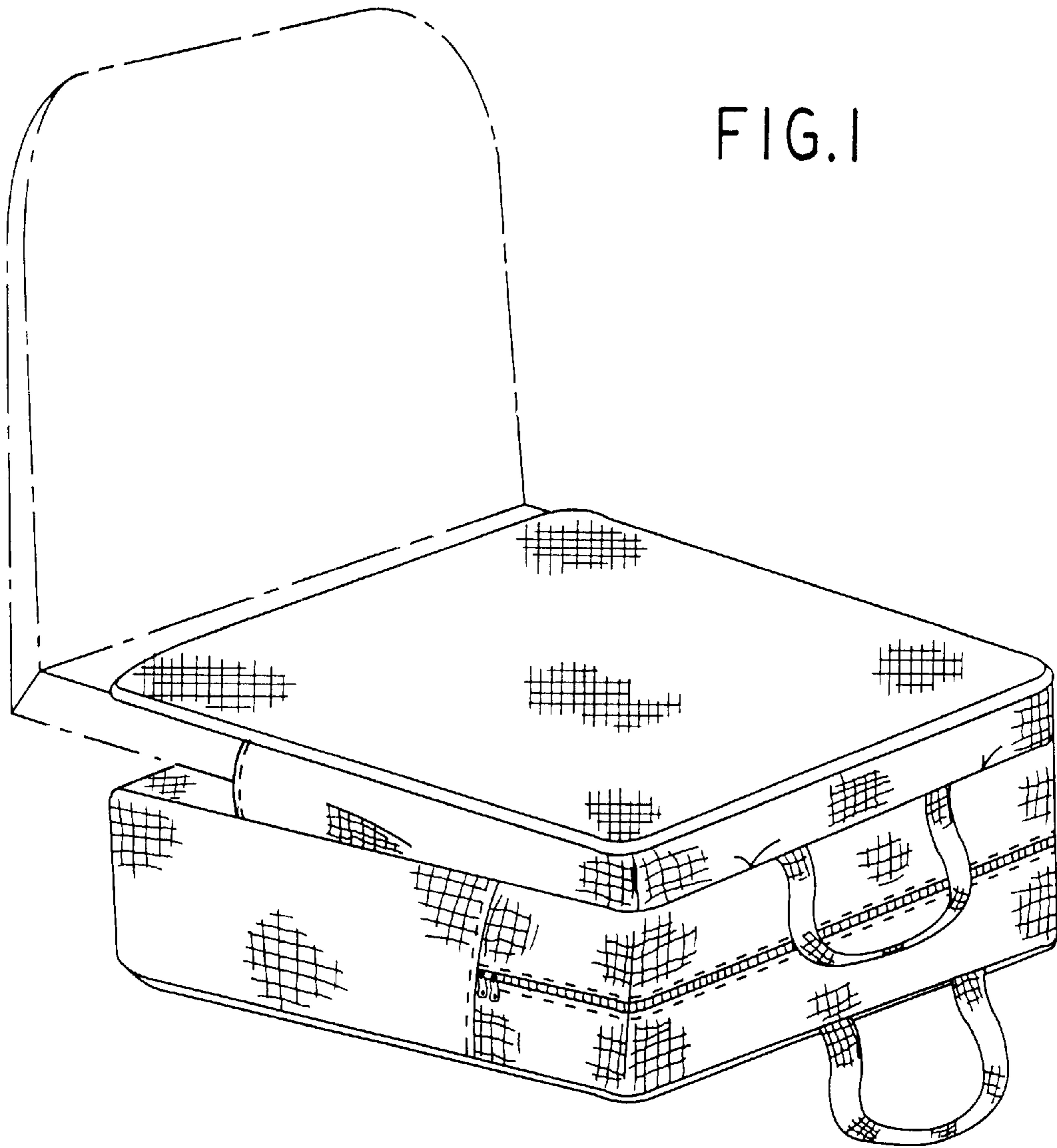


FIG. 1

FIG. 2



FIG. 3



FIG. 4

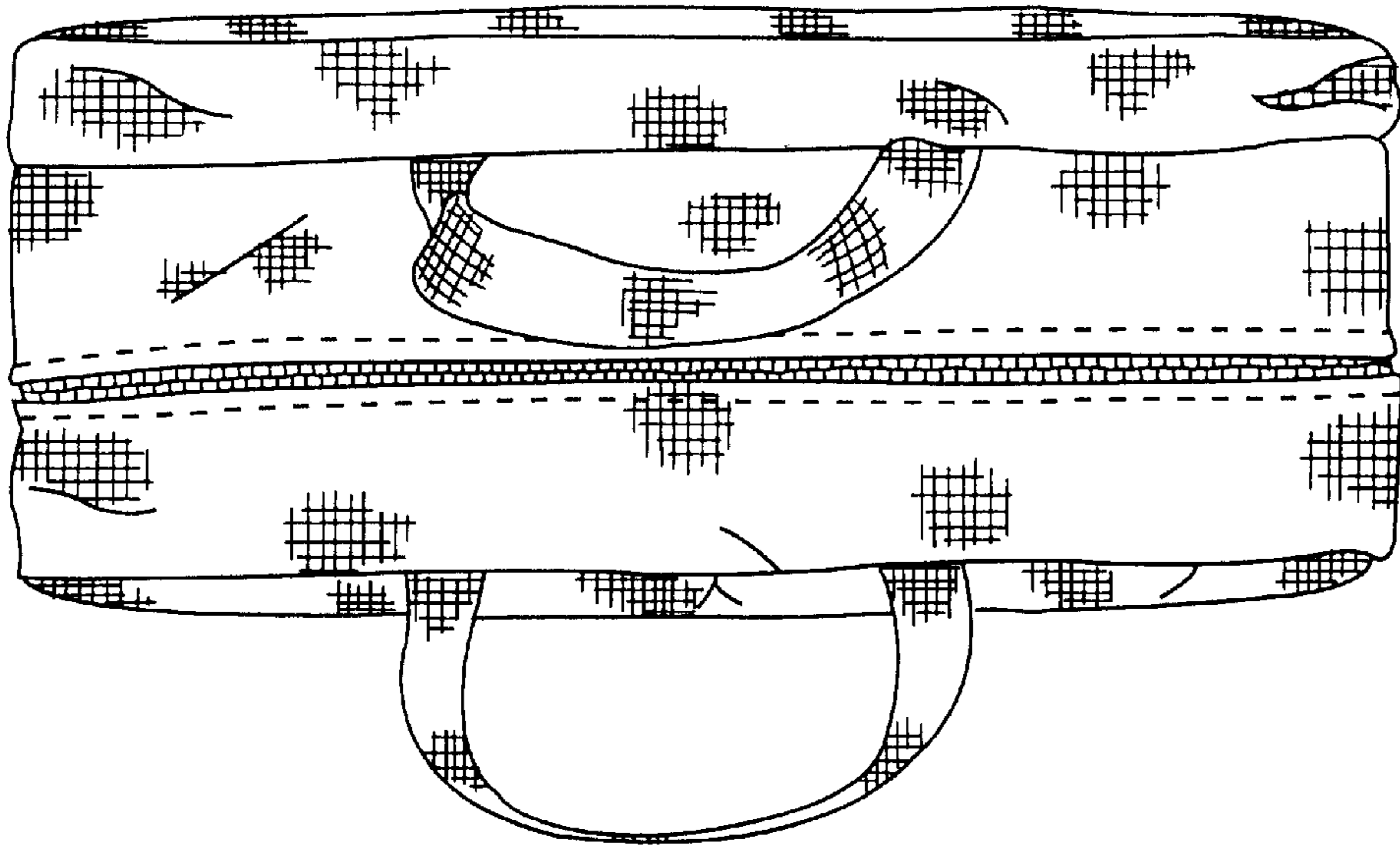


FIG. 5

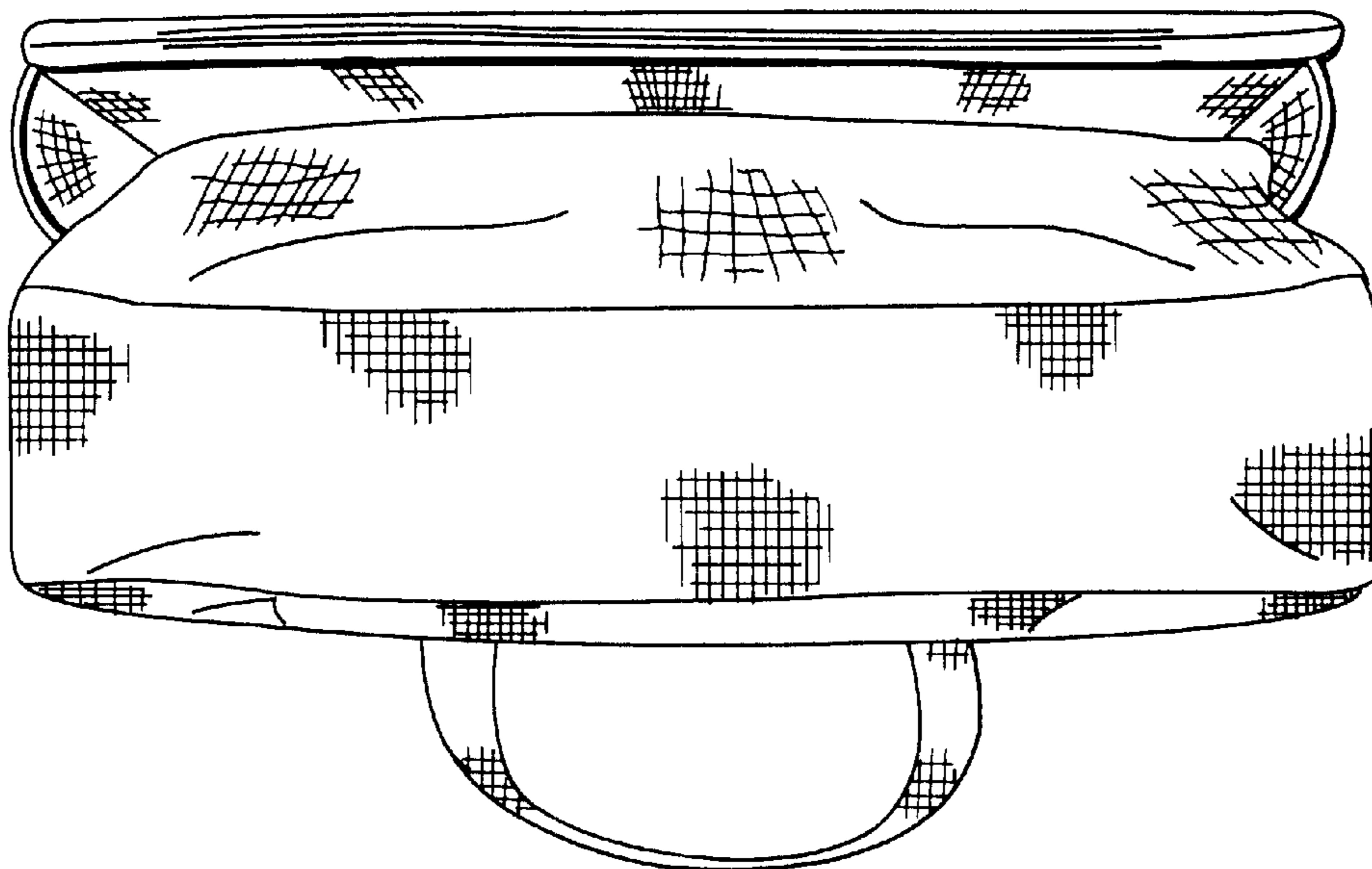


FIG.6

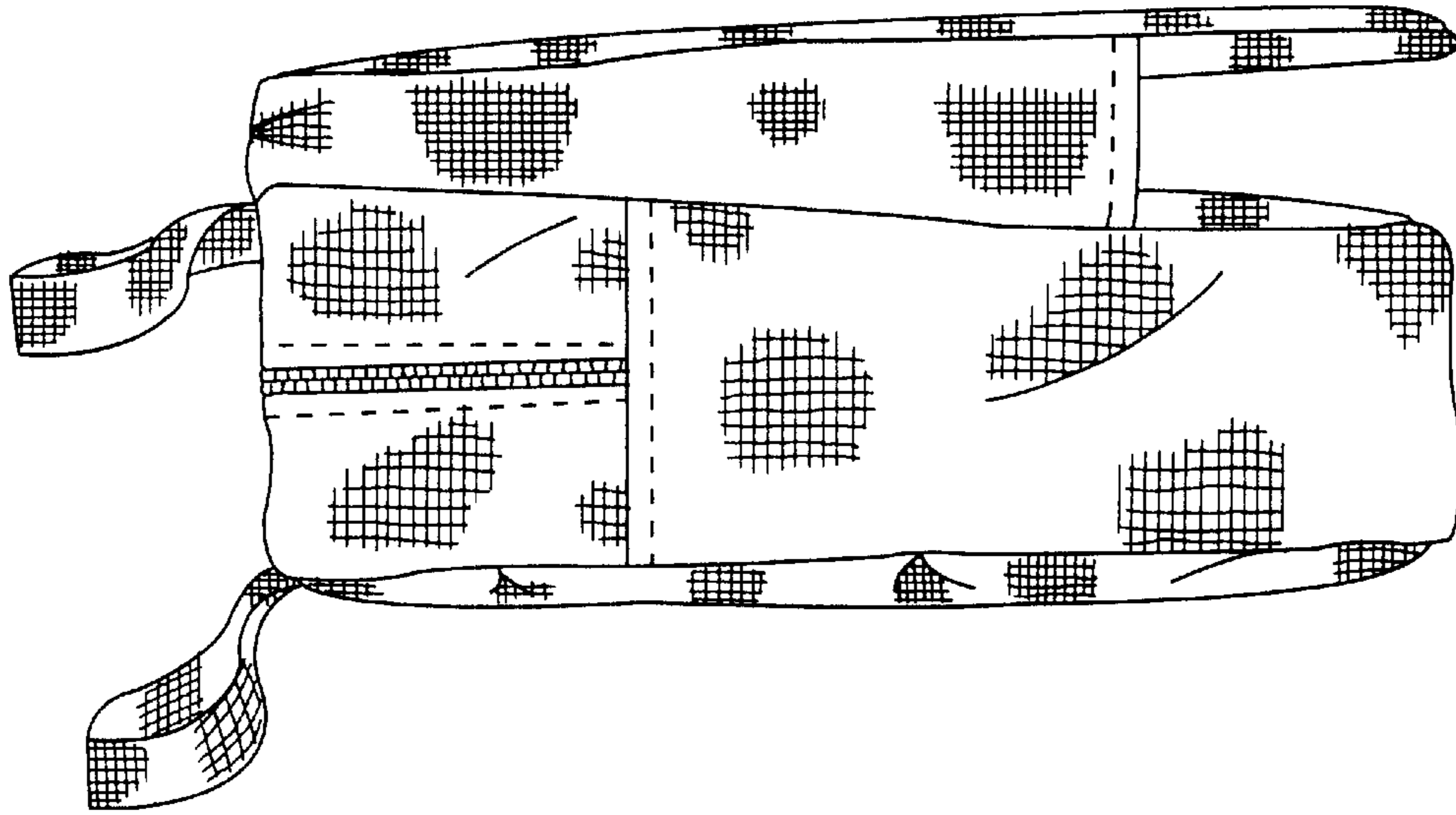


FIG.7

