



US00D474933S

(12) **United States Design Patent**  
**Kaposi**

(10) **Patent No.:** **US D474,933 S**

(45) **Date of Patent:** **\*\* May 27, 2003**

(54) **WALL RACK FOR KITCHEN TOOLS**

D458,070 S \* 6/2002 Bennett et al. .... D6/567  
D463,941 S \* 10/2002 Kerr ..... D6/572

(75) Inventor: **Sascha Kaposi**, Seattle, WA (US)

\* cited by examiner

(73) Assignee: **Progressive International Corp.**, Kent, WA (US)

*Primary Examiner*—Brian N. Vinson  
(74) *Attorney, Agent, or Firm*—John R. Benefiel

(\*\*) Term: **14 Years**

(57) **CLAIM**

(21) Appl. No.: **29/157,480**

The ornamental design for a wall rack for kitchen tools, as shown and described.

(22) Filed: **Mar. 20, 2002**

**DESCRIPTION**

(51) **LOC (7) Cl.** ..... **06-04**

(52) **U.S. Cl.** ..... **D6/569**

(58) **Field of Search** ..... D6/512–514, 553,  
D6/566, 567, 569, 572; 211/13.1, 66, 70.6,  
70.7, 86.01, 87.01, 106.01, 113; 248/302,  
304, 309.1, 309.2, 317

FIG. 1 is a perspective view of a wall rack for kitchen tools according to the present invention.

FIG. 2 is front view of the wall rack for kitchen tools shown in FIG. 1.

FIG. 3 is a top view of the wall rack for kitchen tools shown in FIGS. 1–2.

FIG. 4 is a left side view of the wall rack for kitchen tools shown in FIGS. 1–3, the right side view being identical.

FIG. 5 is a rear view of the wall rack for kitchen tools shown in FIGS. 1–4; and,

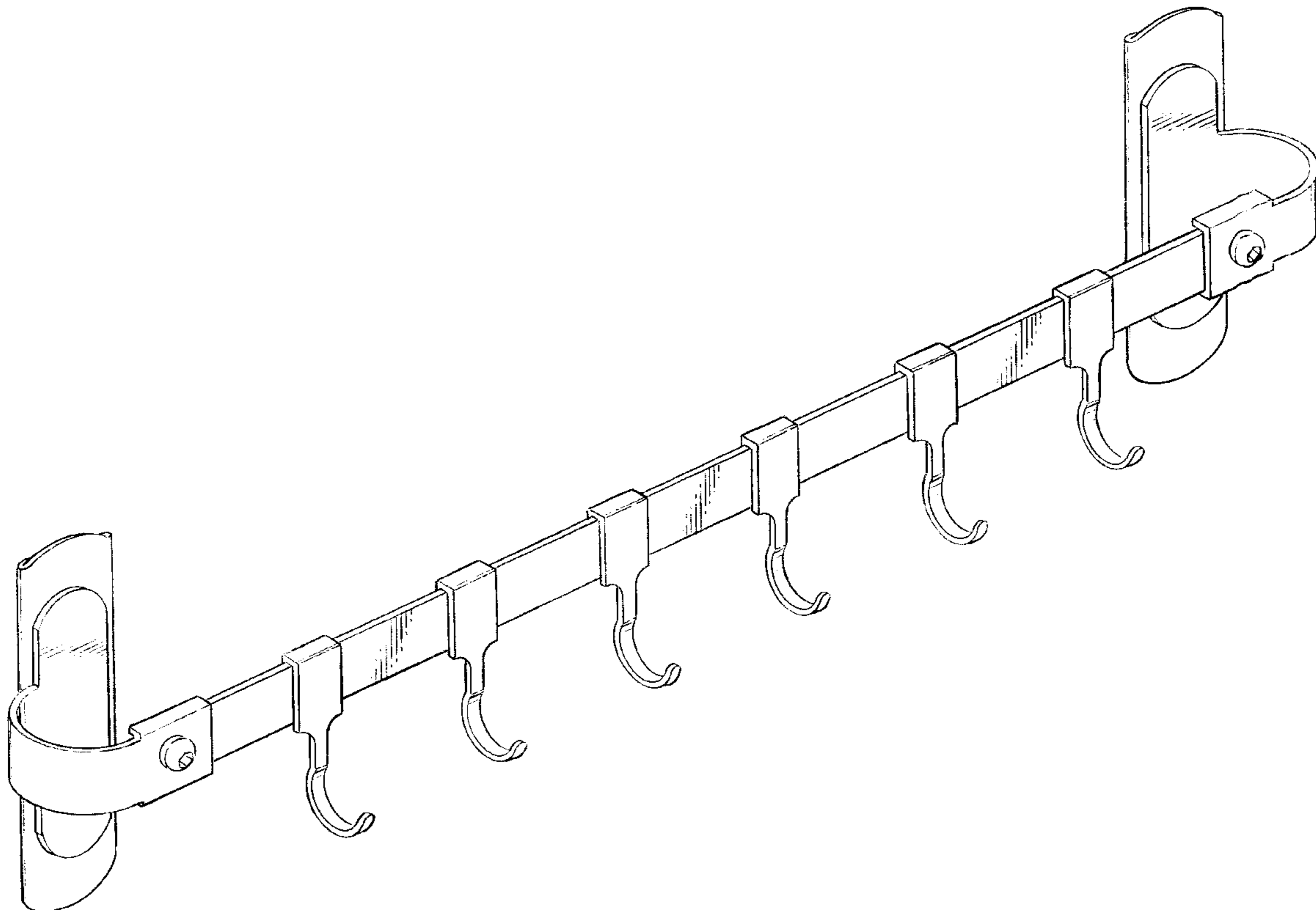
FIG. 6 is a bottom view of the wall rack for kitchen tools shown in FIGS. 1–5.

(56) **References Cited**

**U.S. PATENT DOCUMENTS**

- 1,814,692 A \* 7/1931 Harris ..... 211/87.01 X
- D165,553 S \* 12/1951 Schoor ..... D6/572
- D294,791 S \* 3/1988 Loscalzo et al. .... D6/569
- D411,701 S \* 6/1999 Klein et al. .... D6/569 X
- D412,804 S \* 8/1999 Romeo ..... D6/567

**1 Claim, 3 Drawing Sheets**



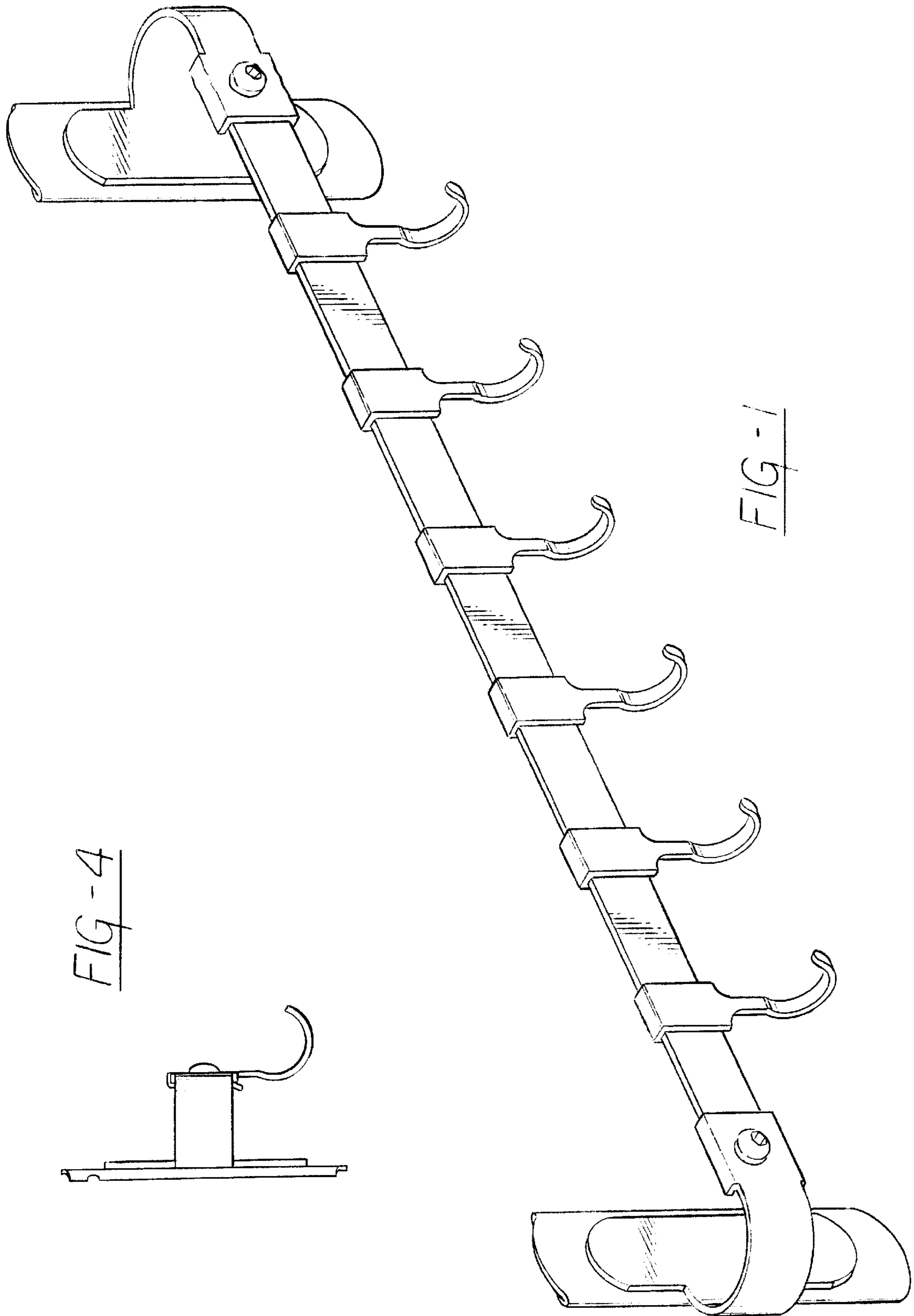


FIG - 4

FIG - 1

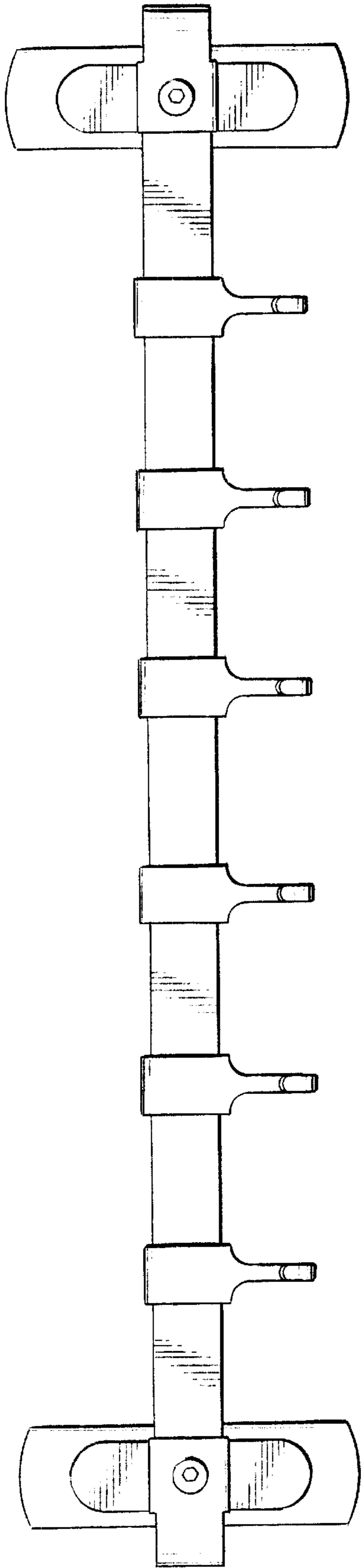


FIG - 2

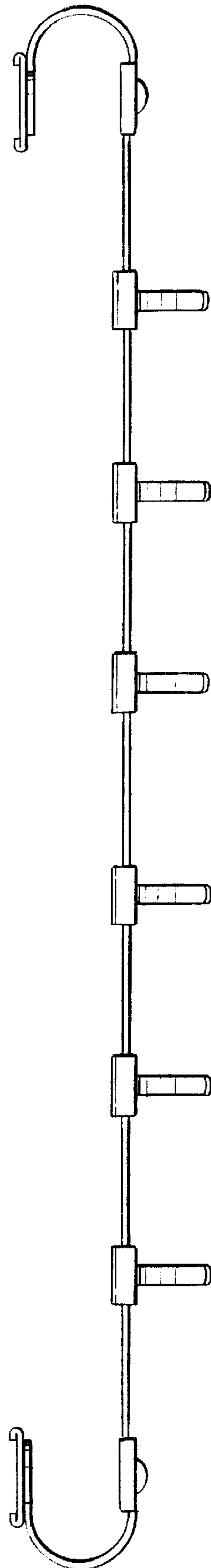


FIG - 3

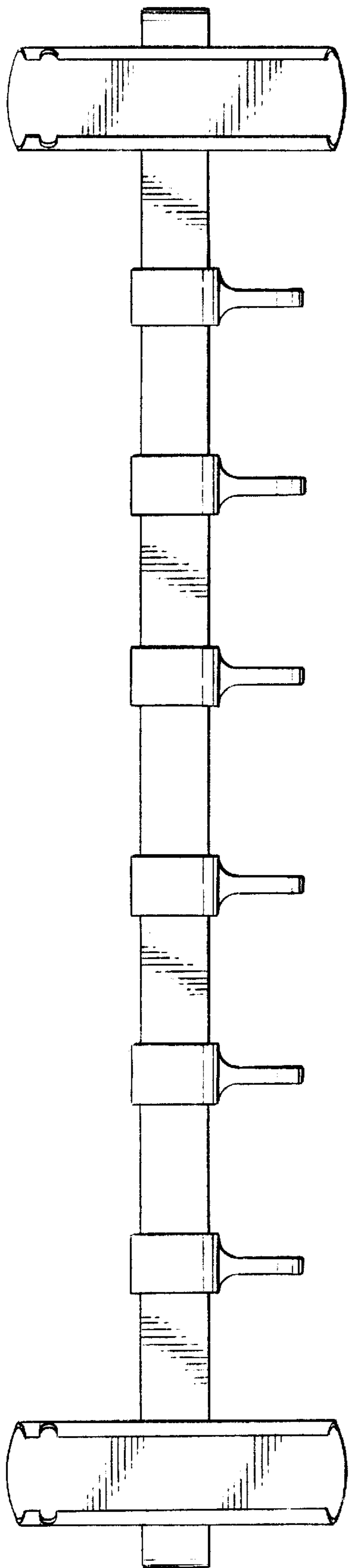


FIG - 5

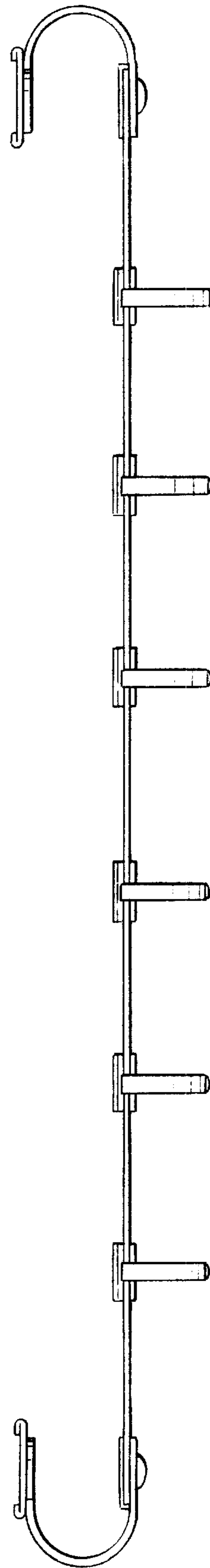


FIG - 6