



US00D474931S

(12) **United States Design Patent**
Baldwin et al.

(10) **Patent No.:** **US D474,931 S**

(45) **Date of Patent:** **** May 27, 2003**

(54) **PLUMBING PLUNGER SUPPORT AND STORAGE DEVICE**

(76) Inventors: **Dennis Baldwin**, 1906 S. 250 W., Perry, UT (US) 84302; **Debra Baldwin**, 1906 S. 250 W., Perry, UT (US) 84302

(**) Term: **14 Years**

(21) Appl. No.: **29/156,406**

(22) Filed: **Feb. 27, 2002**

(51) **LOC (7) Cl.** **23-02**

(52) **U.S. Cl.** **D6/524; D6/551**

(58) **Field of Search** **D6/551, 524; 312/206, 312/207; 206/207, 349, 361; 4/255.05, 255.11**

(56) **References Cited**

U.S. PATENT DOCUMENTS

D298,712 S	*	11/1988	Mattei	D6/551
D362,575 S	*	9/1995	Bird et al.	D6/551
5,924,566 A	*	7/1999	Gibbs	206/361
D413,470 S	*	9/1999	Burton	D6/551

6,035,456 A * 3/2000 Taylor 206/349 X

6,038,709 A * 3/2000 Kent D6/551 X

D423,844 S * 5/2000 Bruns et al. D6/524

D449,951 S * 11/2001 Schmidt et al. D6/524

D452,401 S * 12/2001 Schmidt et al. D6/524

* cited by examiner

Primary Examiner—Brian N. Vinson

(74) *Attorney, Agent, or Firm*—Sturm & Fix LLP

(57) **CLAIM**

The ornamental design for a plumbing plunger support and storage device, as shown and described.

DESCRIPTION

FIG. 1 is a perspective view of the plumbing plunger support and storage device showing our new design;

FIG. 2 is a rear elevation view thereof;

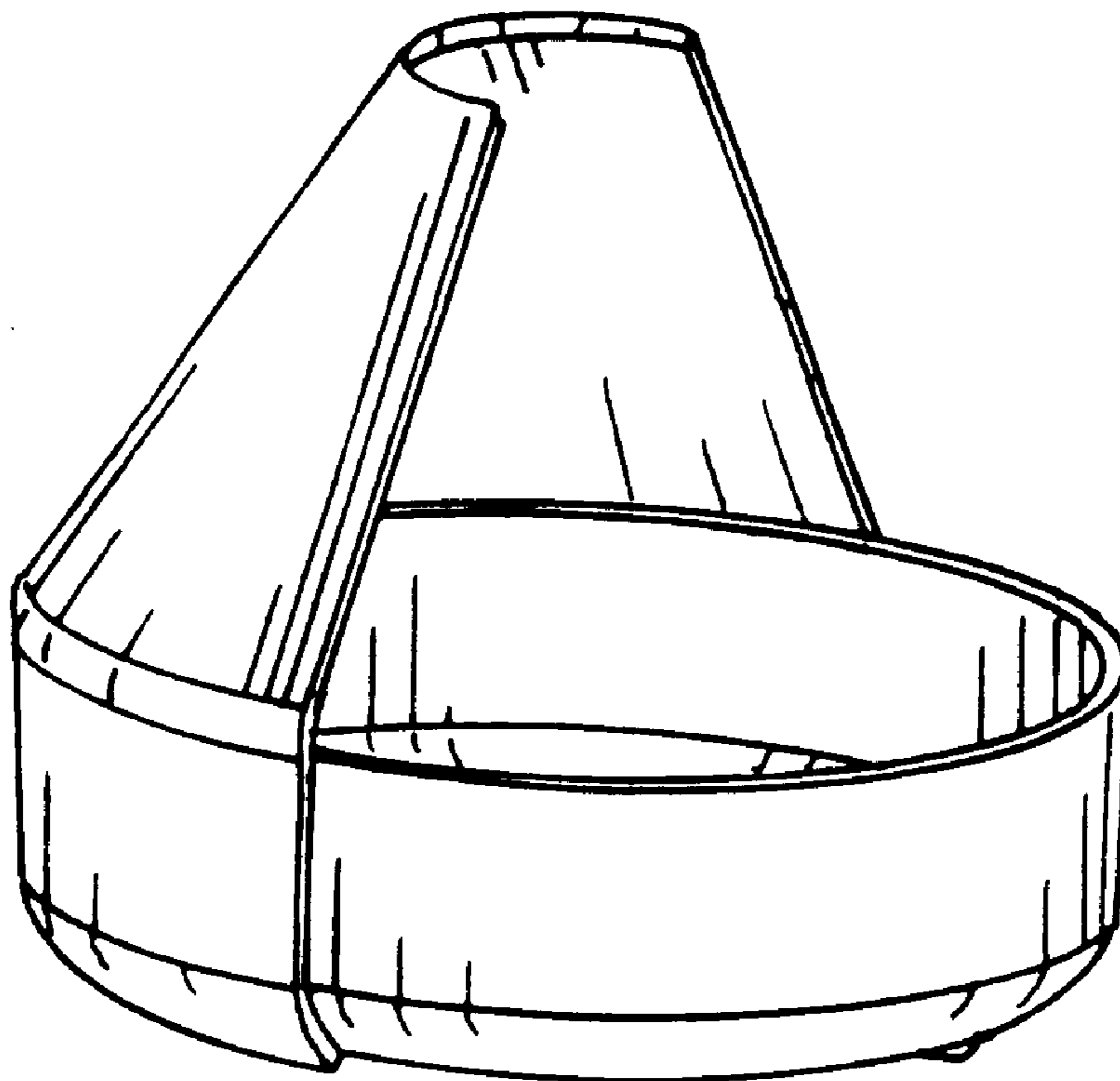
FIG. 3 is a front elevation view thereof;

FIG. 4 is a side elevation view thereof;

FIG. 5 is a top plan view thereof; and,

FIG. 6 is a bottom plan view thereof.

1 Claim, 1 Drawing Sheet



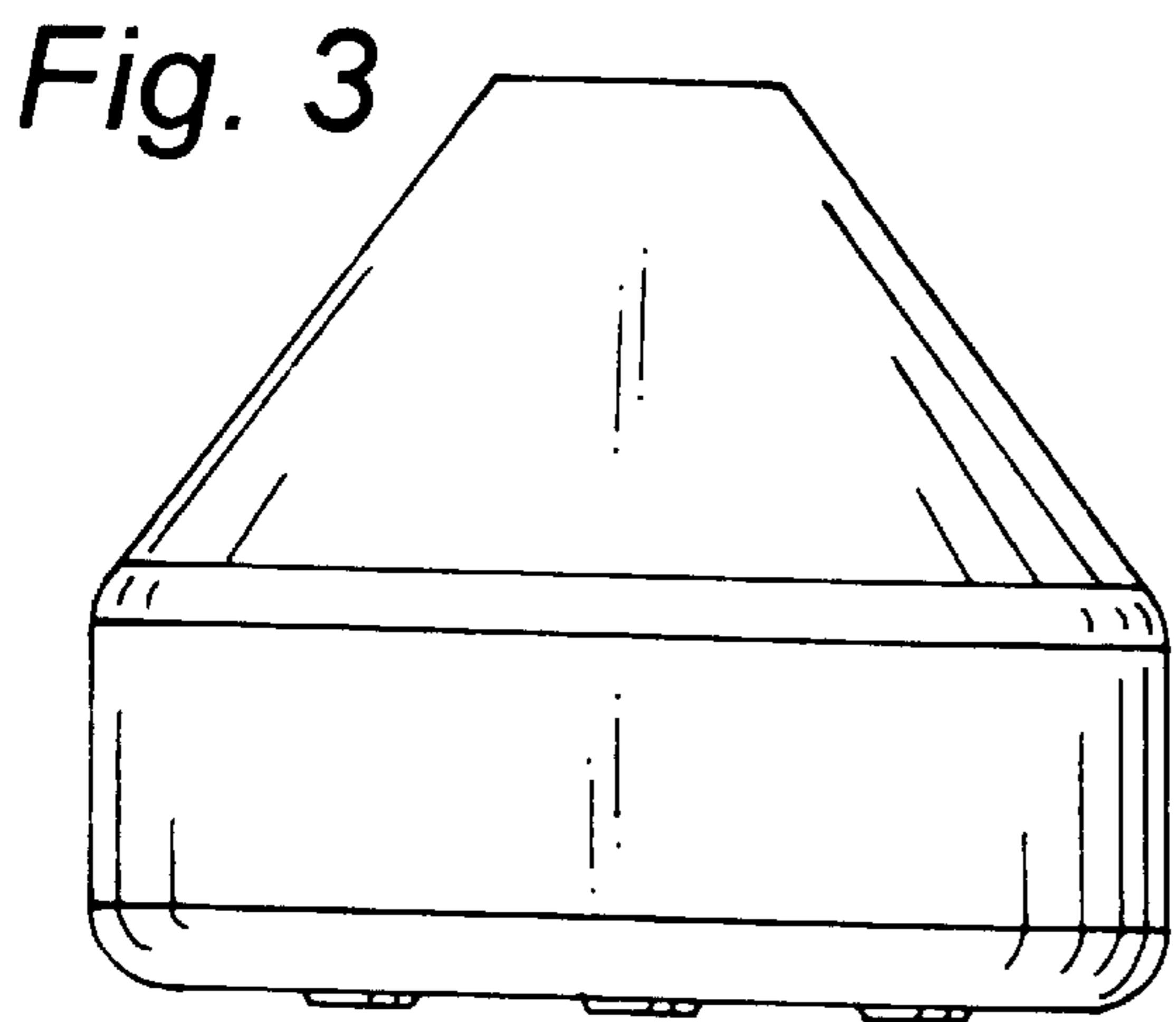
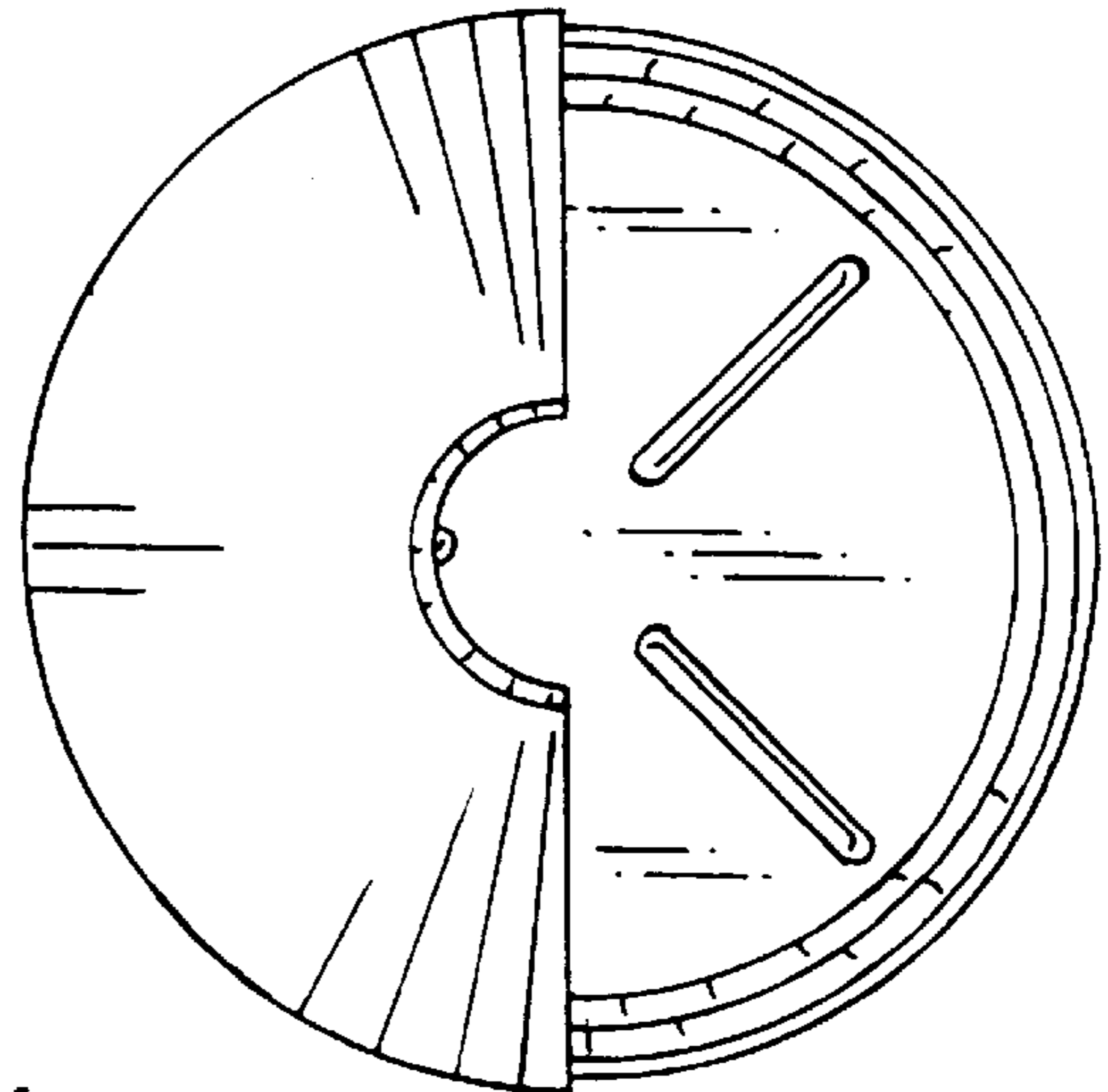
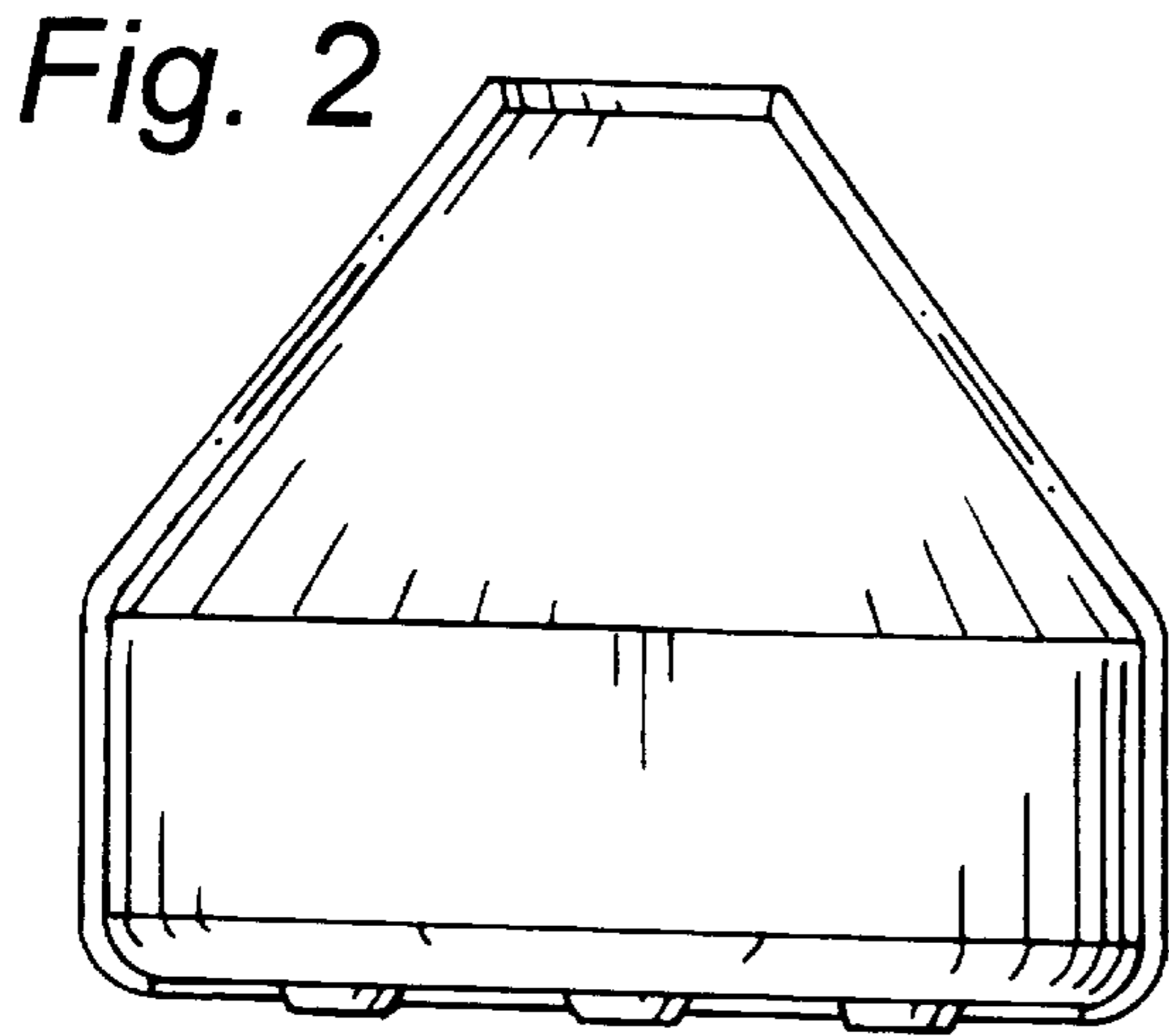
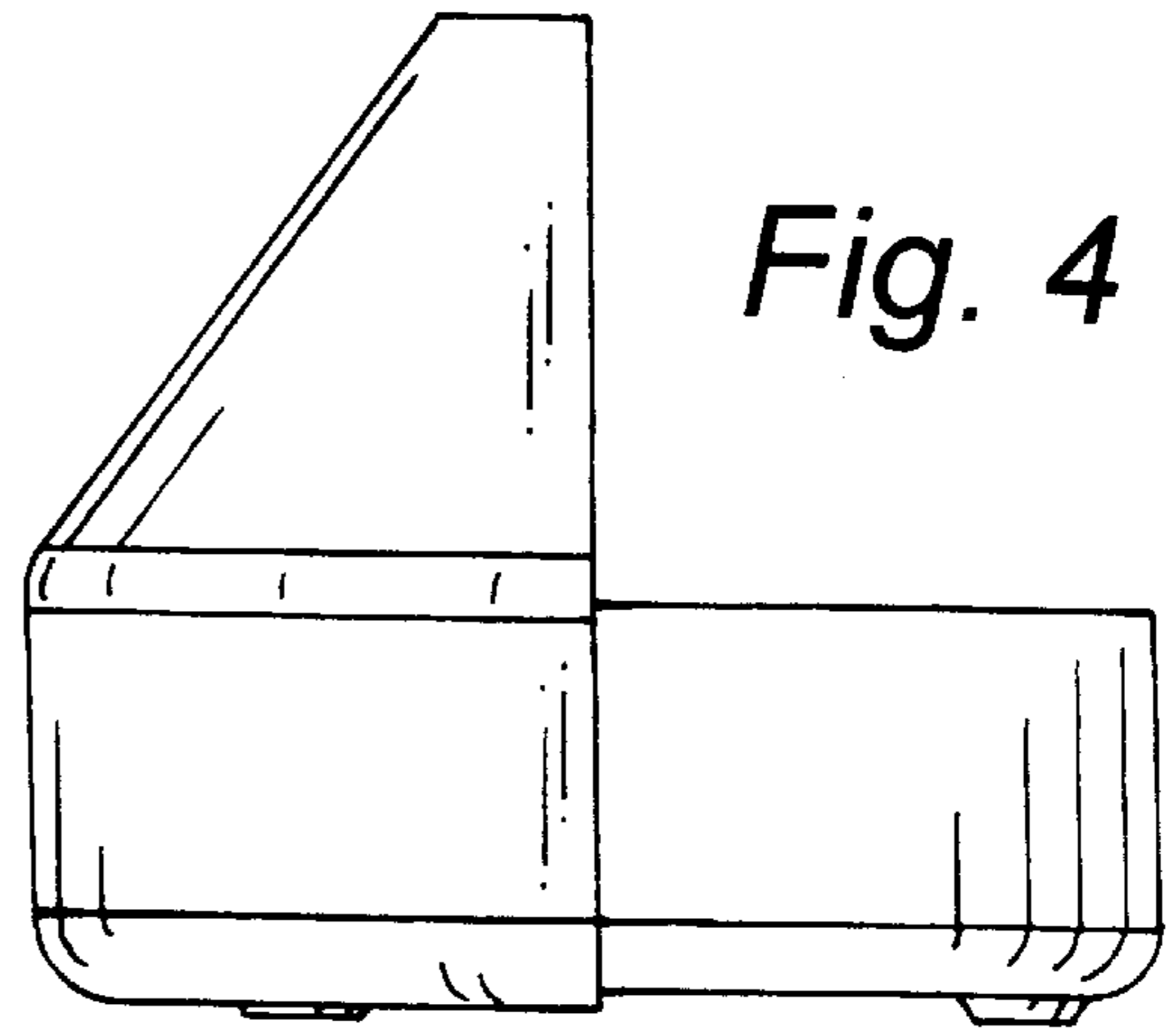
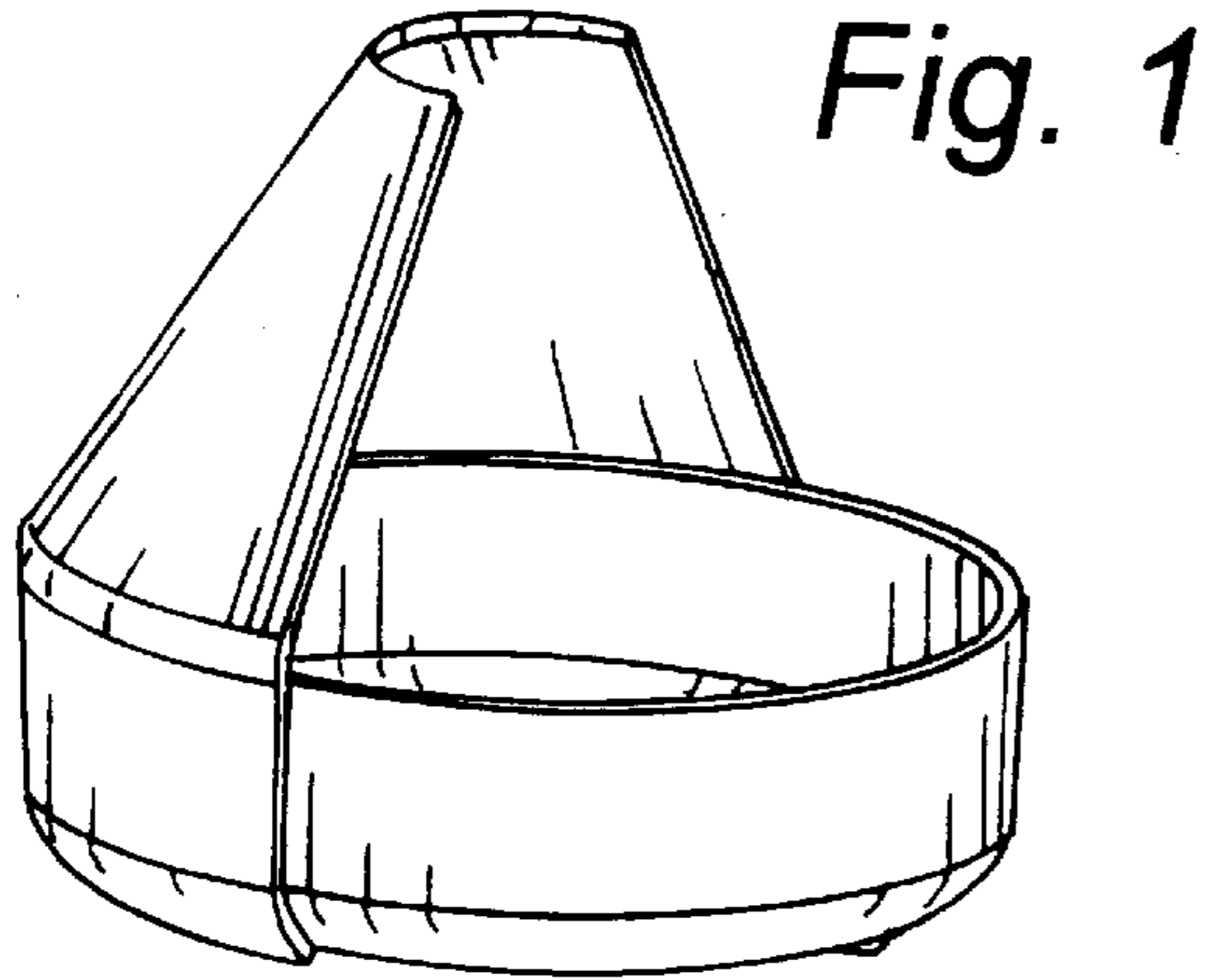


Fig. 5

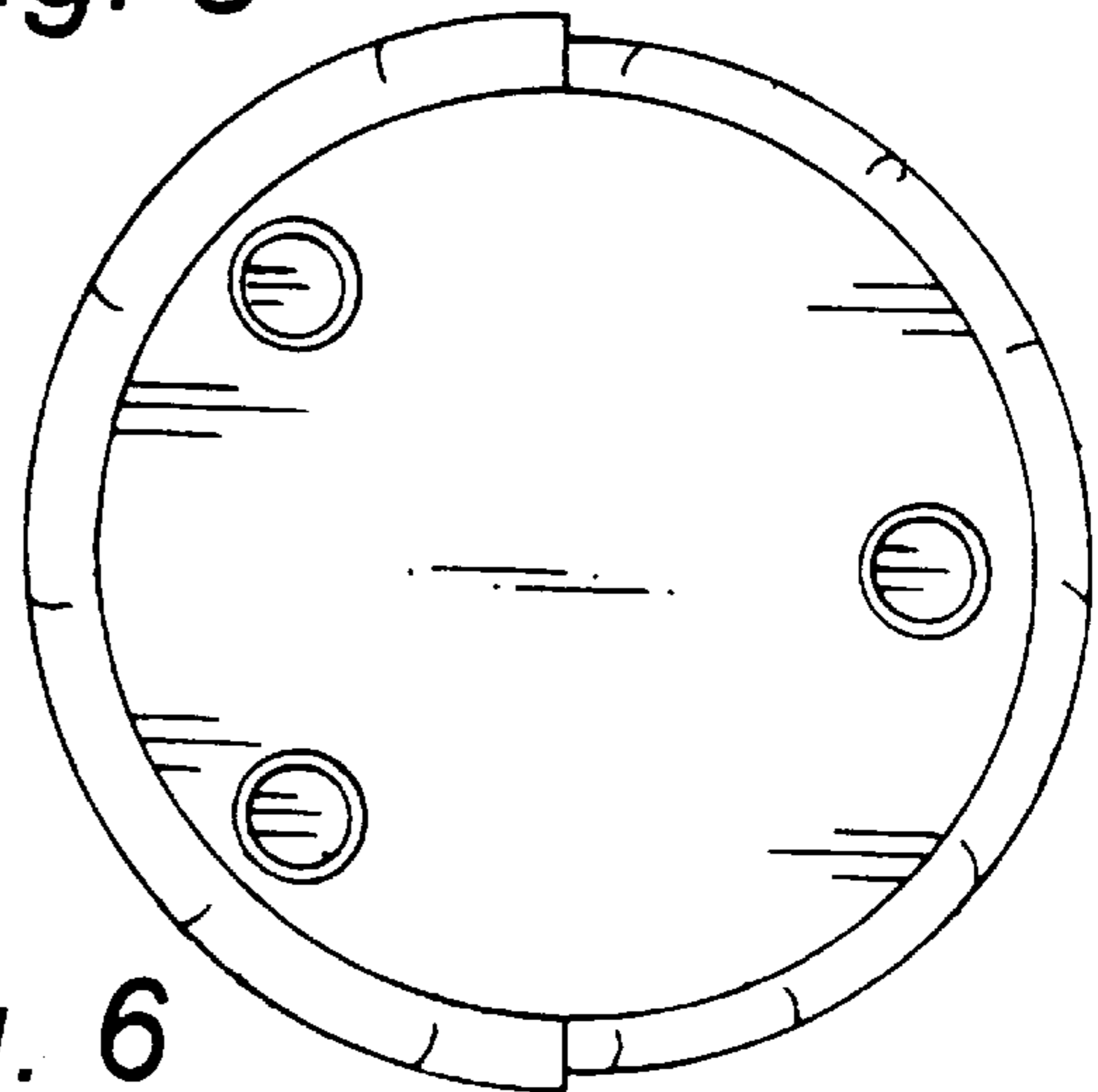


Fig. 6