



US00D474930S

(12) **United States Design Patent**
Lai

(10) **Patent No.:** **US D474,930 S**

(45) **Date of Patent:** **** May 27, 2003**

(54) **RACK CONNECTOR FOR BATHROOM ACCESSORIES**

(76) Inventor: **Ming-Hsiao Lai**, No.8, Kung Chi 2 Lane, Ta Tsuen Hsiang, Chang-Hua Hsien (TW)

(**) Term: **14 Years**

(21) Appl. No.: **29/153,680**

(22) Filed: **Jan. 14, 2002**

(51) **LOC (7) Cl.** **23-02**

(52) **U.S. Cl.** **D6/524**

(58) **Field of Search** D6/522-51; D8/300, D8/315-21, 354, 363, 373, 380; 108/28-29; 211/13.1, 16, 60.1, 86.01, 87.01, 88.04, 100, 105.1-105.2, 123, 181.1, 182; 248/175, 176.1, 251, 302; 16/110.1, 412, 415

(56) **References Cited**

U.S. PATENT DOCUMENTS

D242,353 S * 11/1976 Schrader D6/524 X
D448,593 S * 10/2001 Harvey D6/550

* cited by examiner

Primary Examiner—Brian N. Vinson

(74) *Attorney, Agent, or Firm*—Harrison & Egbert

(57) **CLAIM**

I claim the ornamental design for a rack connector for bathroom accessories, as shown and described.

DESCRIPTION

FIG. 1 is a top, front, and right side perspective view of a rack connector for bathroom accessories showing a first embodiment of my new design;

FIG. 2 is a right side elevational view thereof;

FIG. 3 is a left side elevational view thereof;

FIG. 4 is a front elevational view thereof;

FIG. 5 is a top plan view thereof;

FIG. 6 is a bottom plan view thereof;

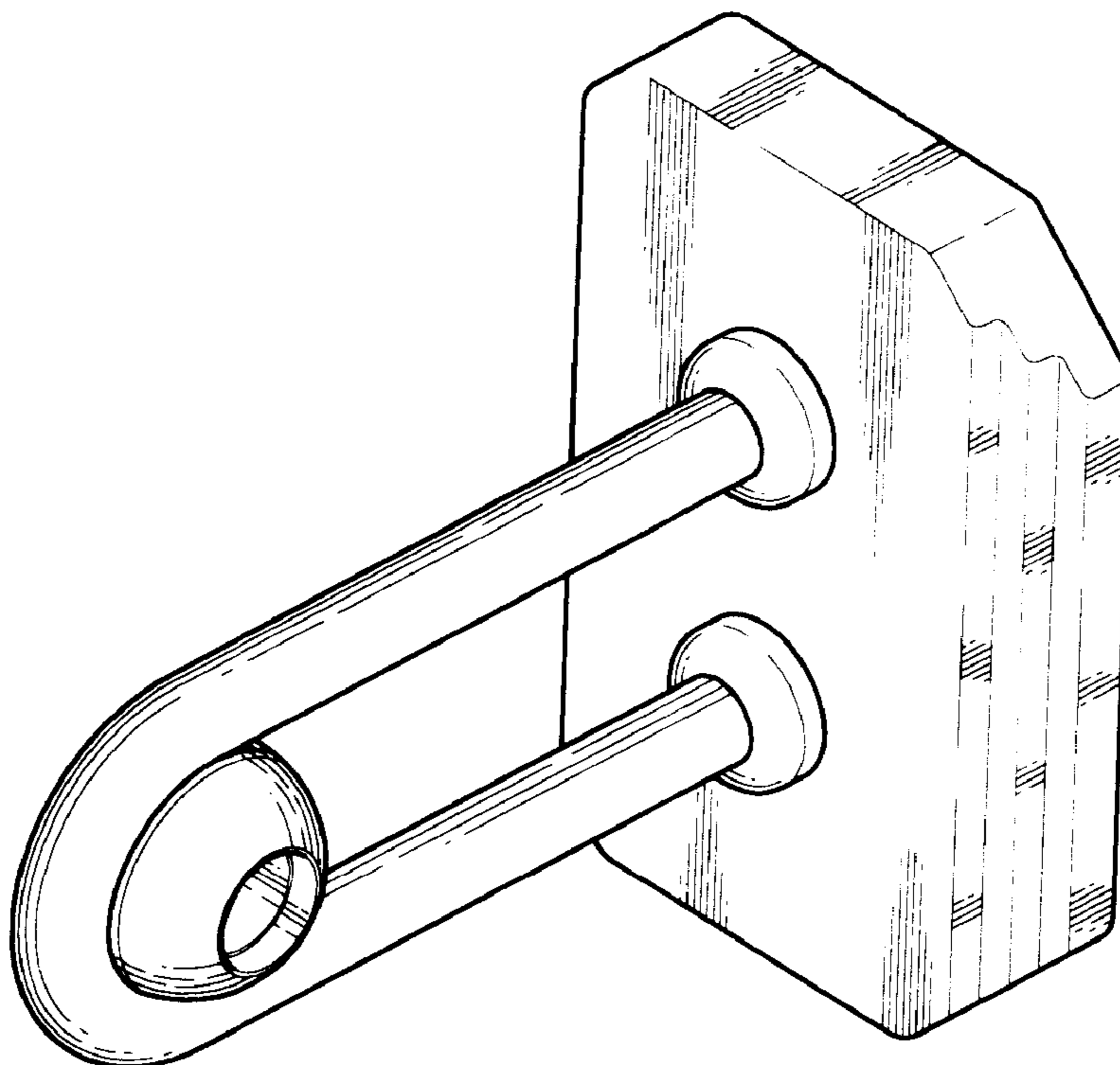
FIG. 7 is a top, front, and right side perspective view of a rack connector for bathroom accessories showing a second embodiment of my new design;

FIG. 8 is an additional top, front, and right side perspective view of the first embodiment thereof; and,

FIG. 9 is an additional top, front, and right side perspective view of the second embodiment thereof.

The broken-line disclosure of various attachments in the views are for illustrative purposes only and form no part of the claimed design.

1 Claim, 7 Drawing Sheets



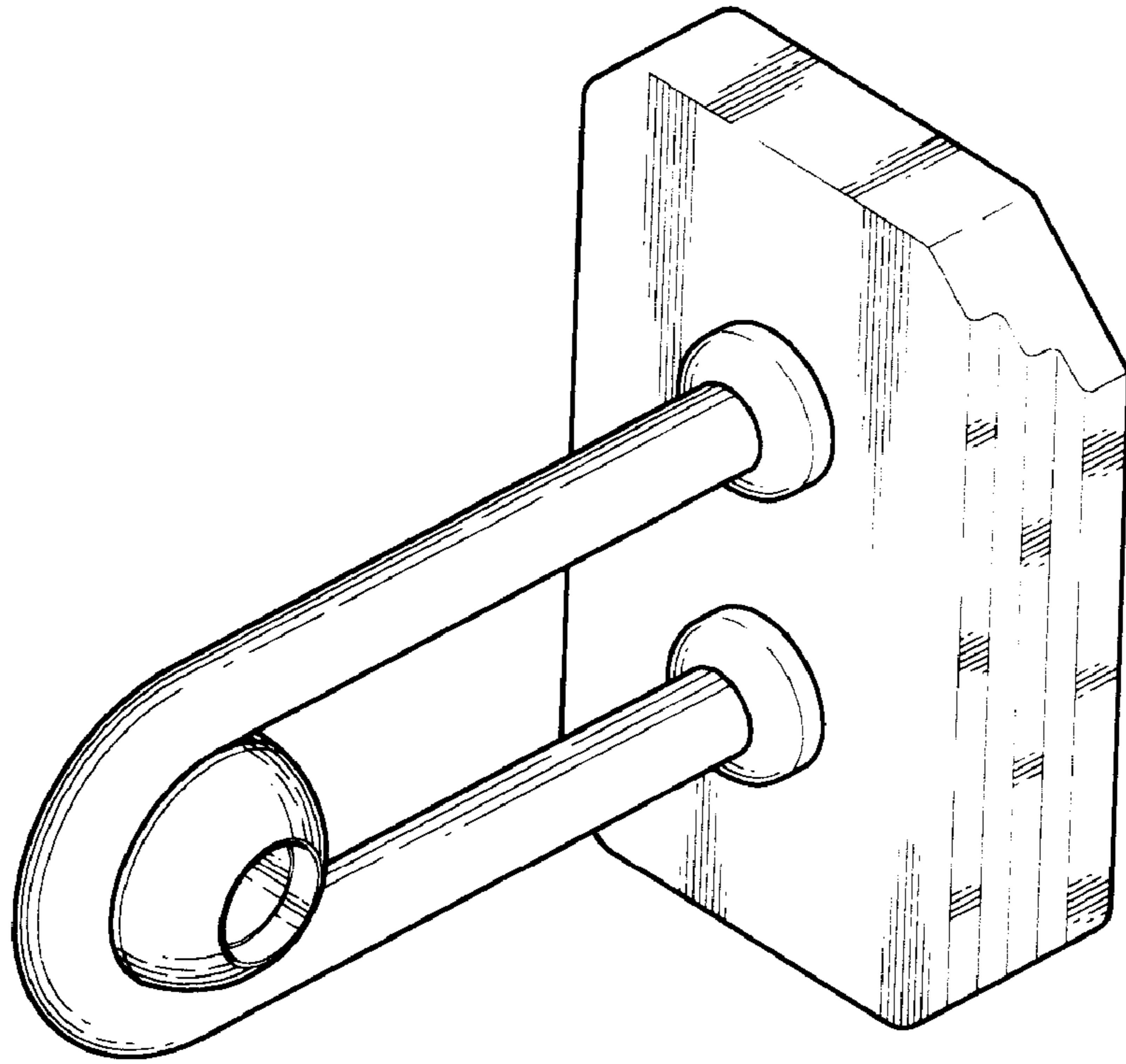


FIG.1

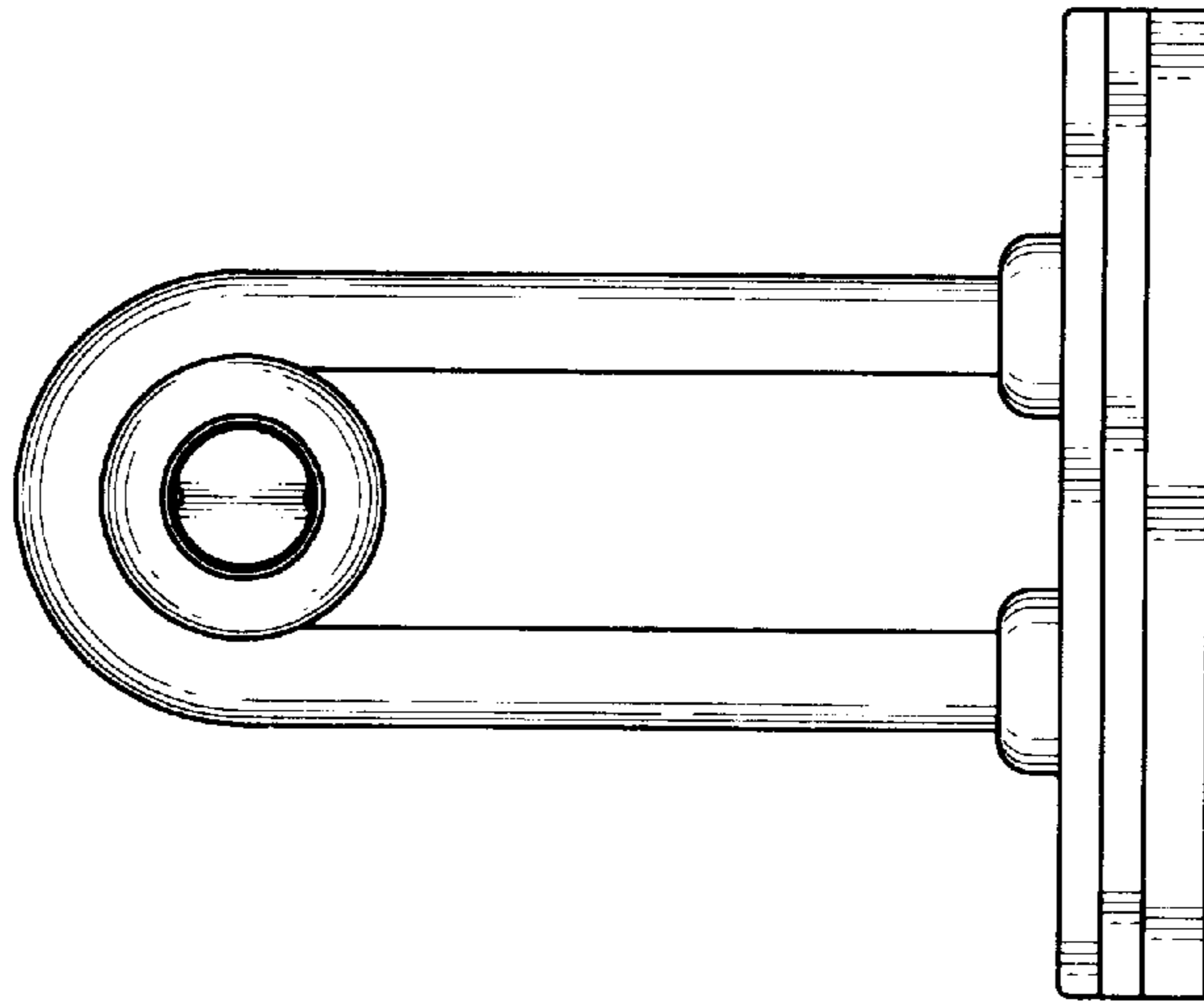


FIG. 2

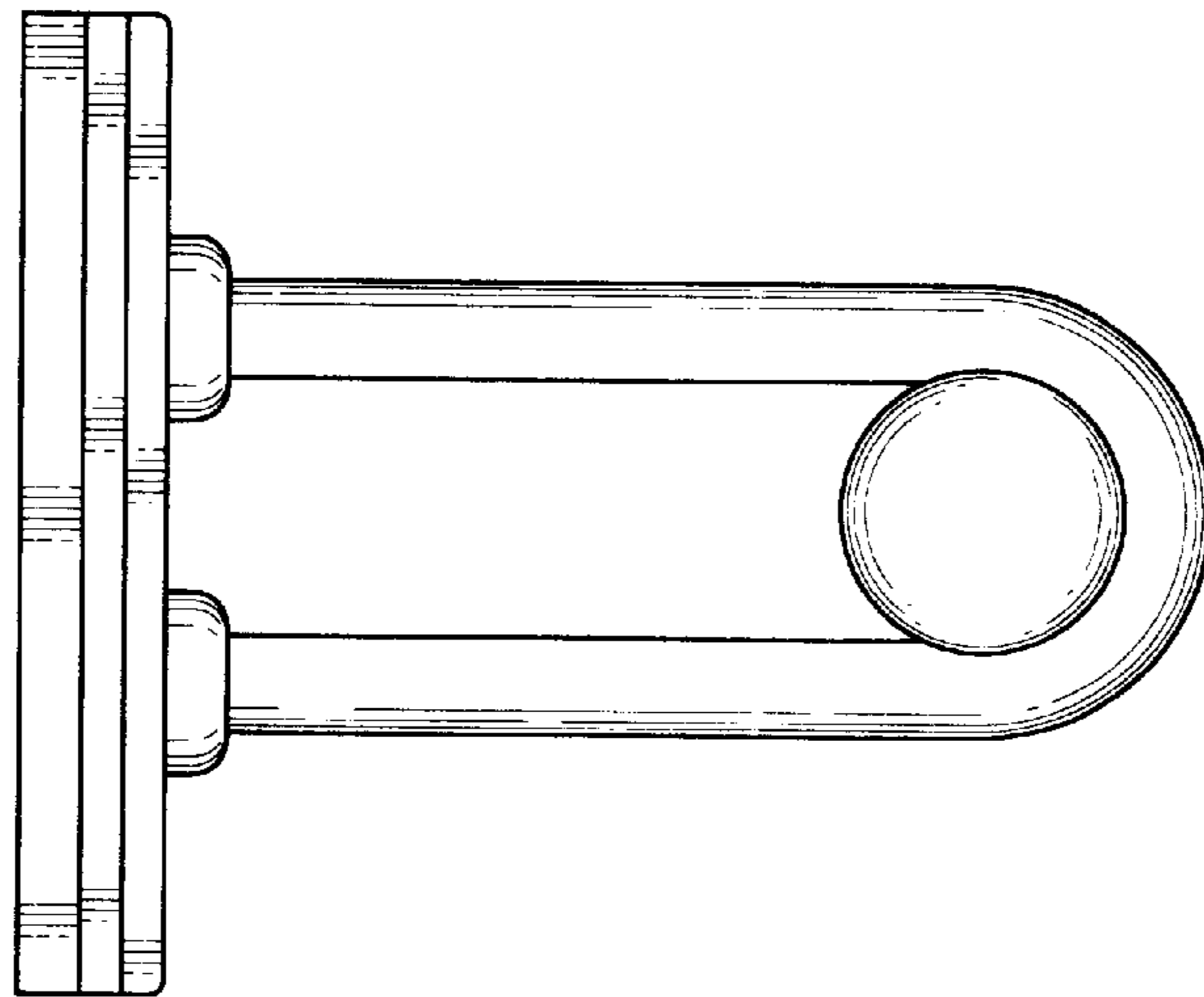


FIG. 3

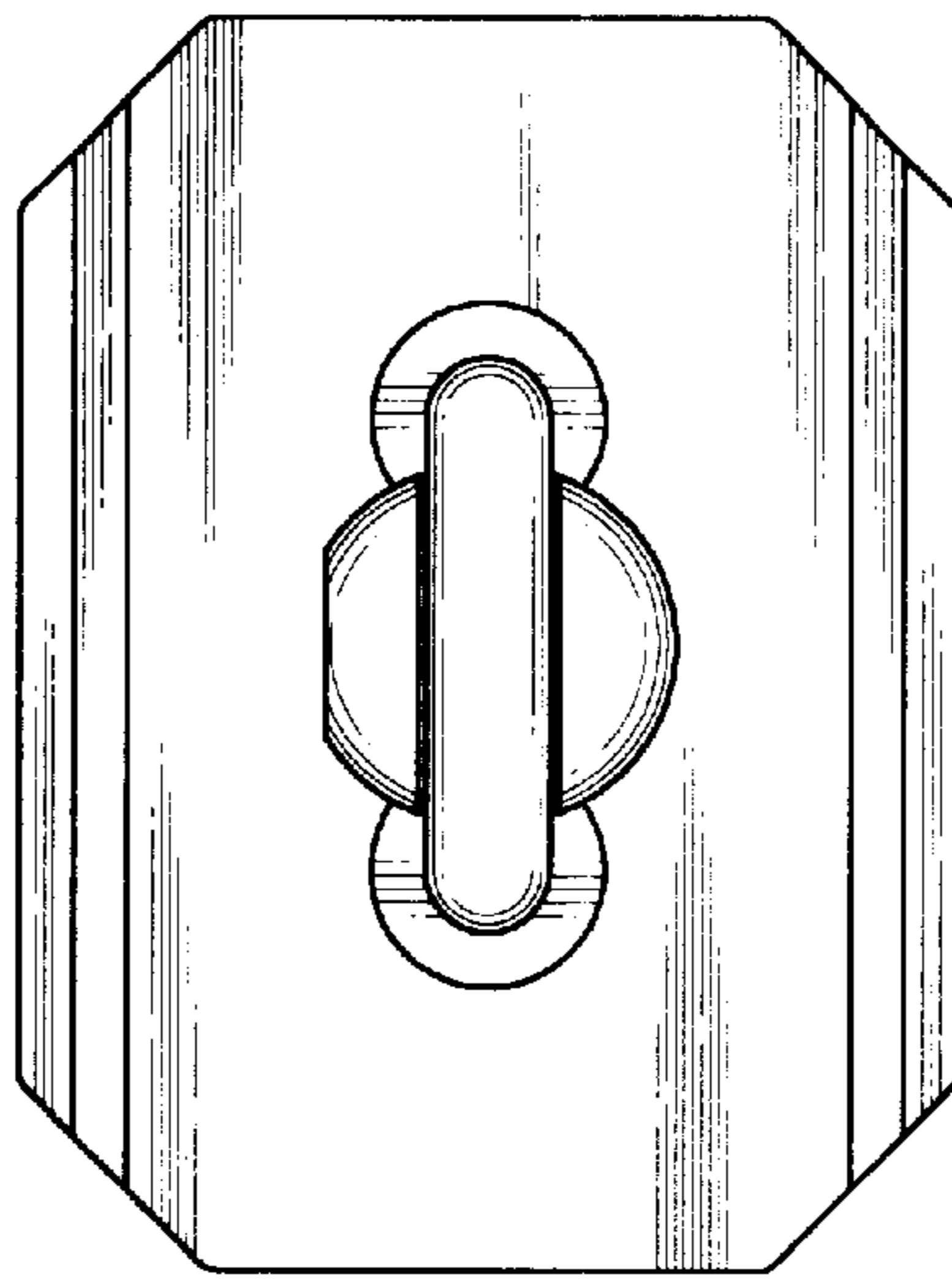


FIG. 4

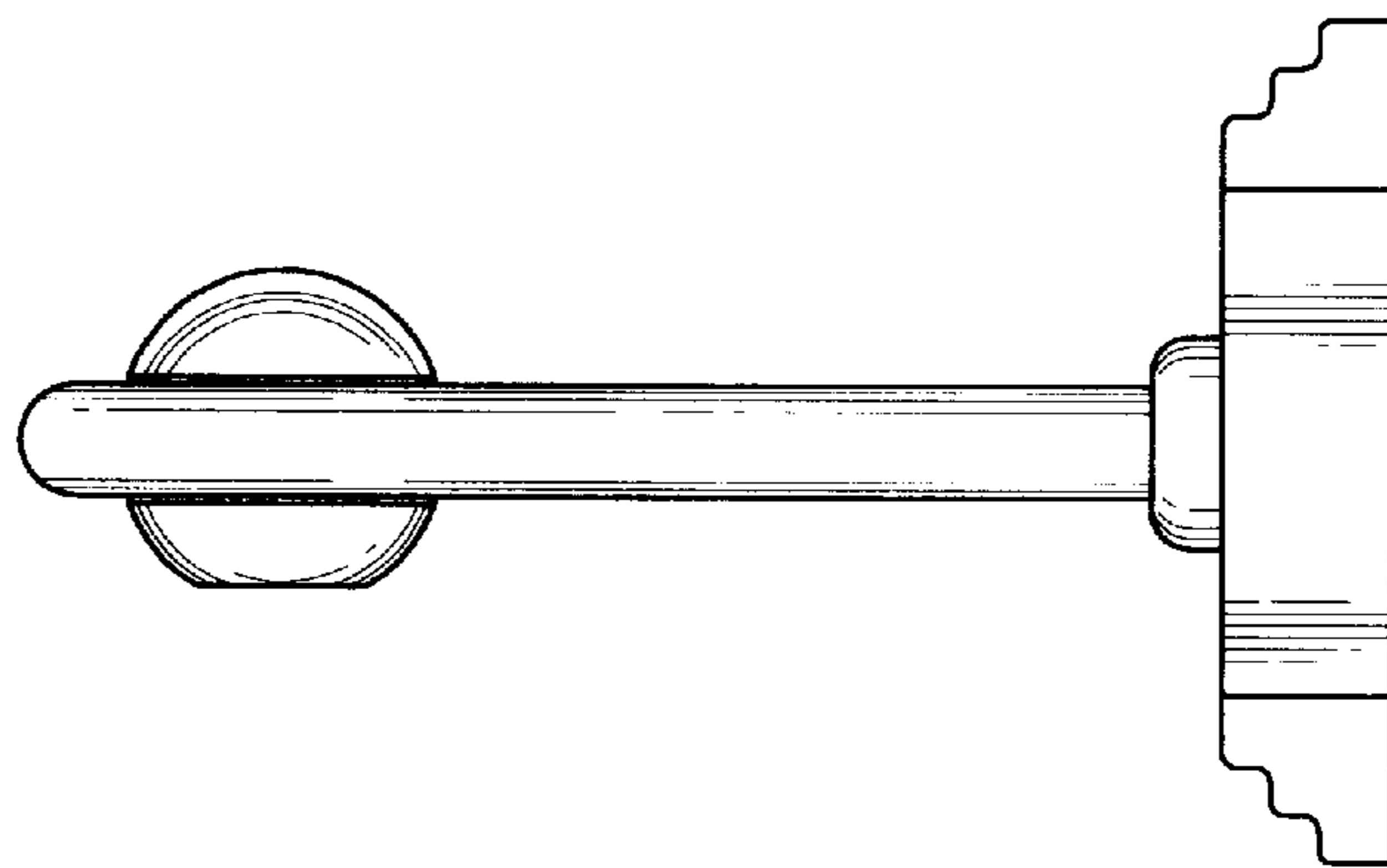


FIG. 5

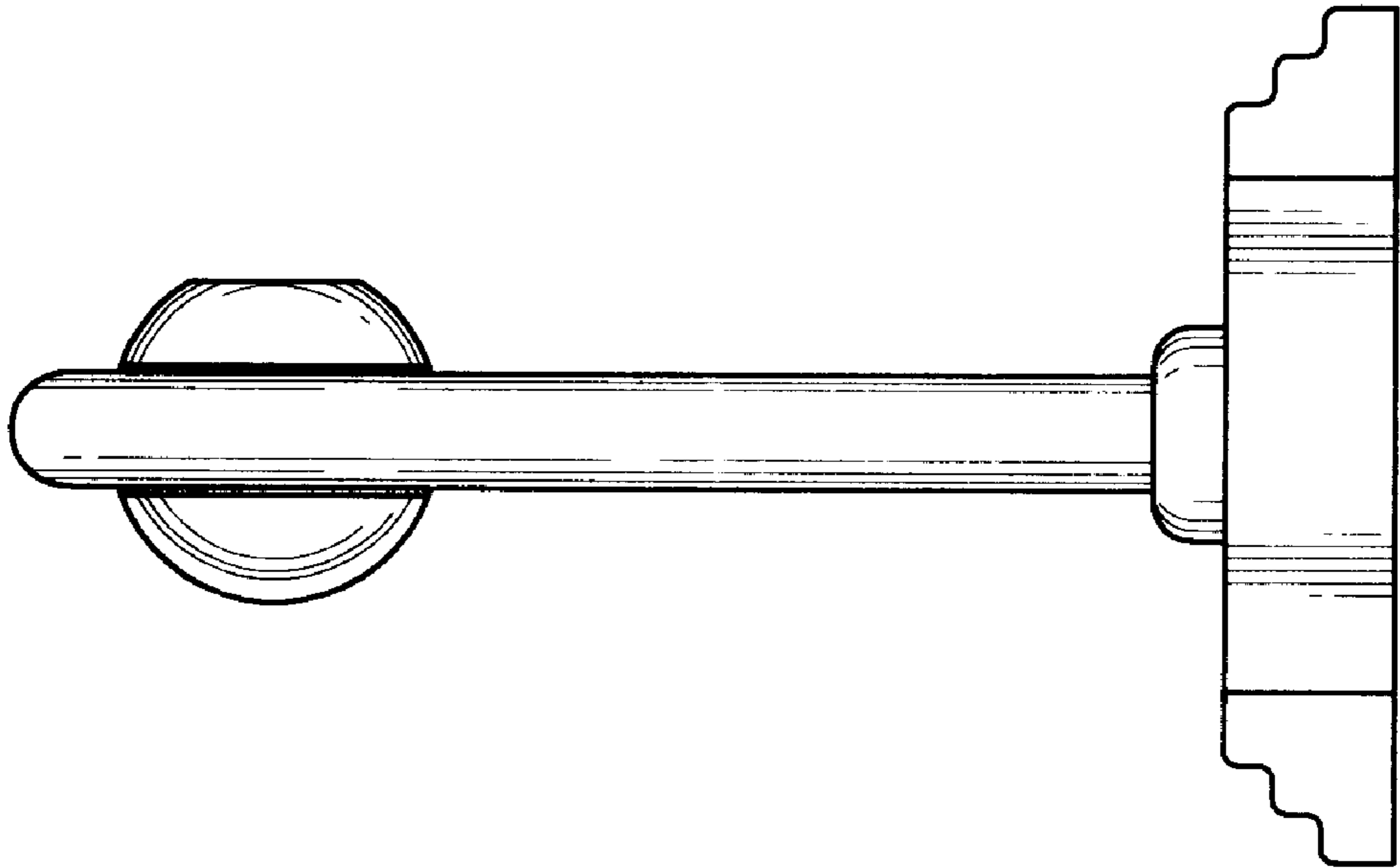


FIG. 6

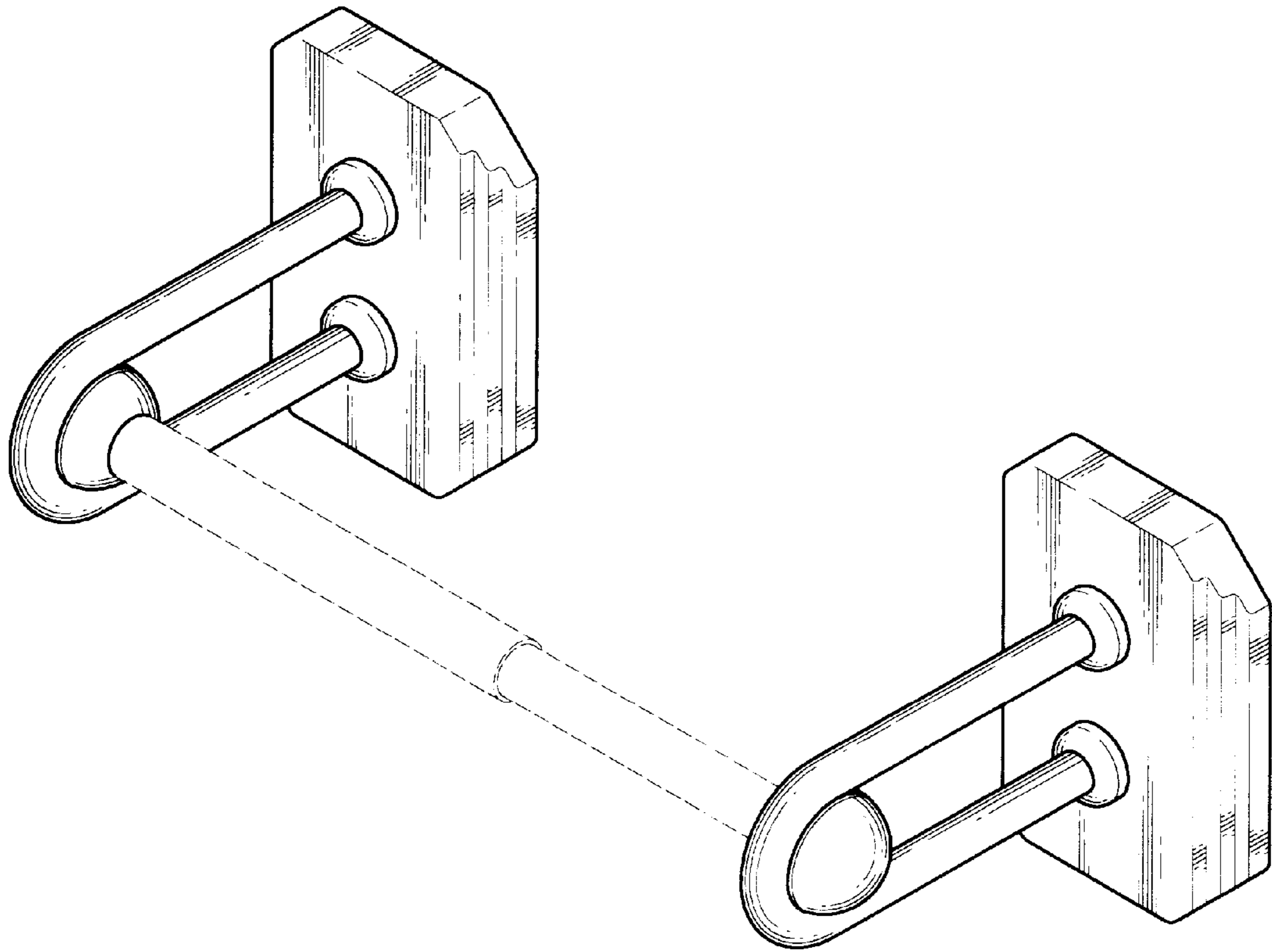


FIG. 7

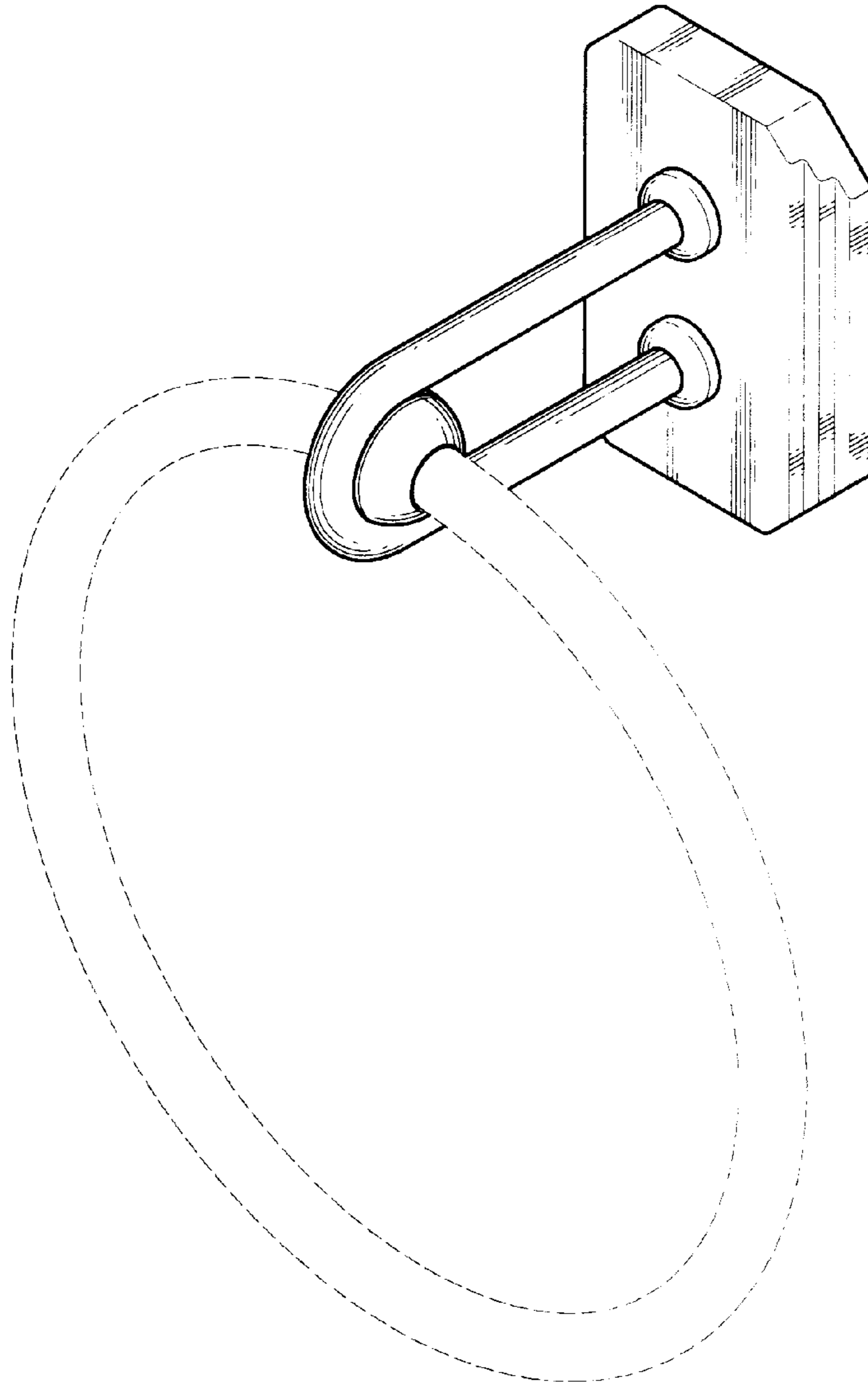


FIG.8

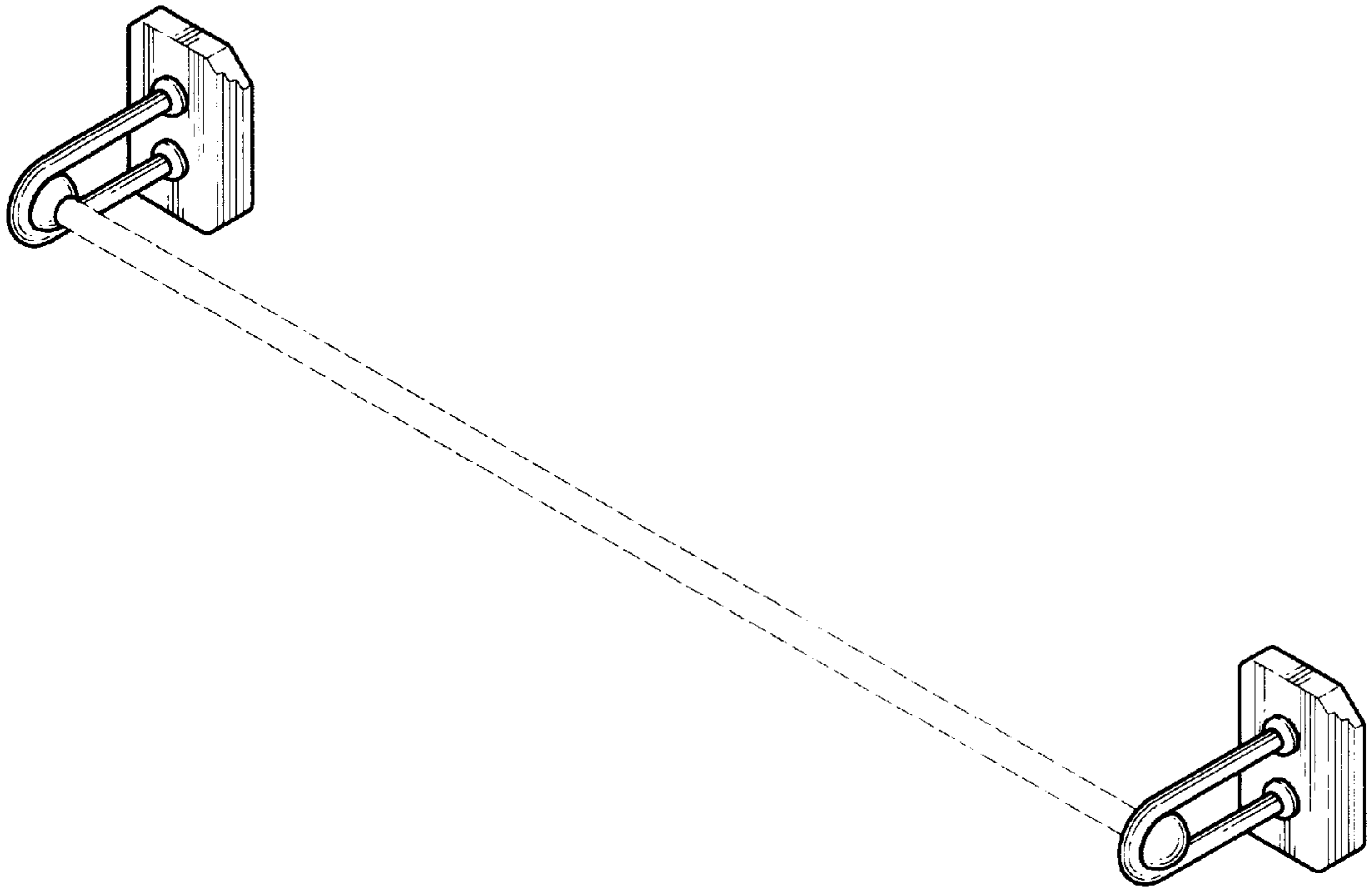


FIG. 9