



US00D474926S

(12) **United States Design Patent**
Koepke et al.

(10) **Patent No.:** **US D474,926 S**

(45) **Date of Patent:** **** May 27, 2003**

(54) **CHAIR FRAME**

(75) Inventors: **Marcus C. Koepke**, Indianapolis, IN
(US); **Jay R. Machael**, Muscatine, IA
(US)

(73) Assignee: **HON Technology Inc.**, Muscatine, IA
(US)

(**) Term: **14 Years**

(21) Appl. No.: **29/155,804**

(22) Filed: **Feb. 15, 2002**

(51) **LOC (7) Cl.** **06-06**

(52) **U.S. Cl.** **D6/500**

(58) **Field of Search** D6/334, 364, 365,
D6/366, 367, 500, 501, 502; 297/411.2,
411.27, 452.18, 463.1

(56) **References Cited**

U.S. PATENT DOCUMENTS

- D437,497 S * 2/2001 Bräuning D6/366
- D456,627 S * 5/2002 Pearce et al. D6/366

- D460,869 S * 7/2002 Koepke et al. D6/366
- D461,660 S * 8/2002 Koepke et al. D6/500
- D461,661 S * 8/2002 Koepke et al. D6/500
- D462,187 S * 9/2002 Koepke et al. D6/366

* cited by examiner

Primary Examiner—Gary D. Watson
(74) *Attorney, Agent, or Firm*—Jones Day

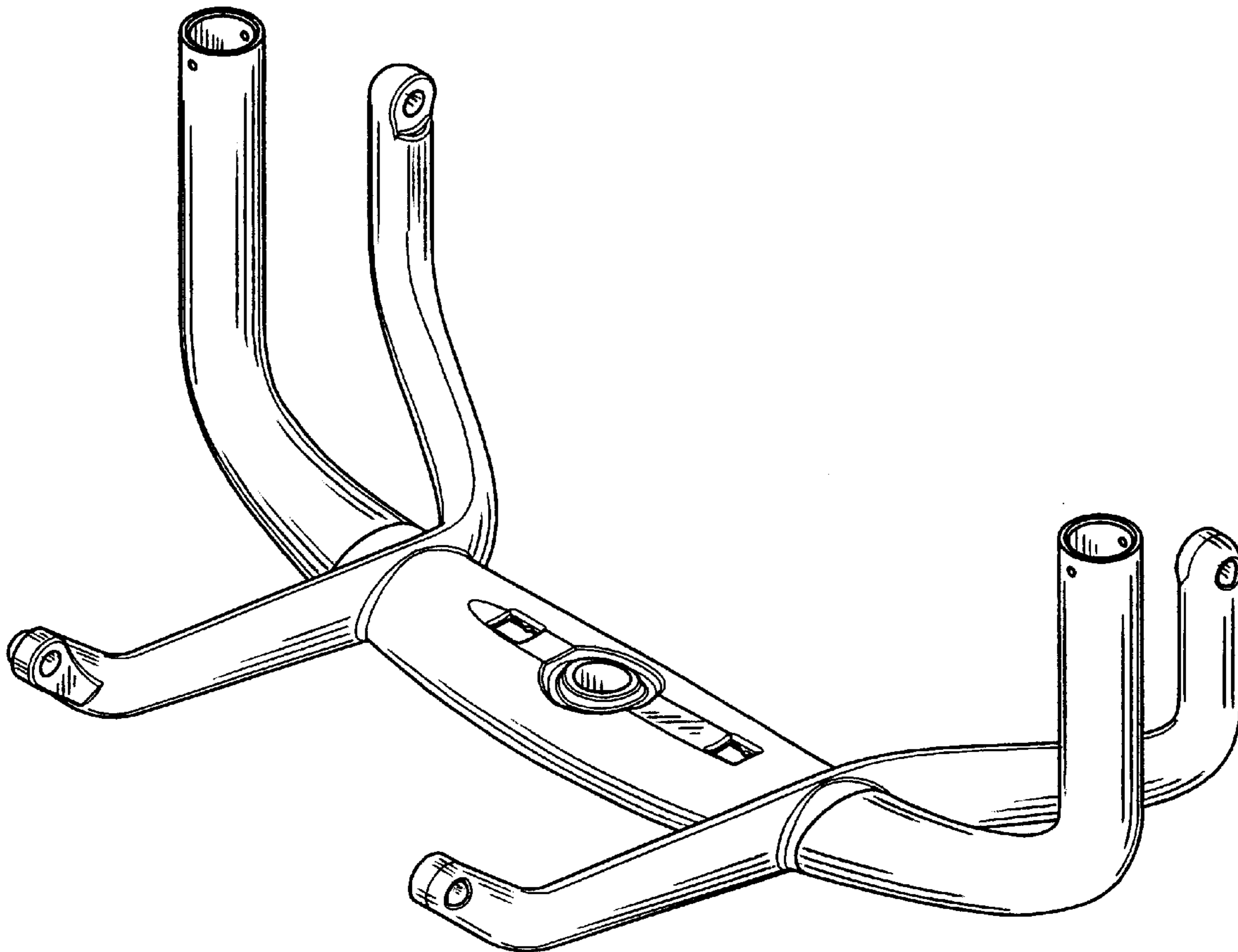
(57) **CLAIM**

The ornamental design for a chair frame, as shown and described.

DESCRIPTION

FIG. 1 is a front isometric view of a chair frame showing the new design;
FIG. 2 is a front view thereof;
FIG. 3 is a left side view, the opposite side view being a mirror image thereof;
FIG. 4 is a rear view thereof;
FIG. 5 is a bottom view thereof; and,
FIG. 6 is a top view thereof.

1 Claim, 3 Drawing Sheets



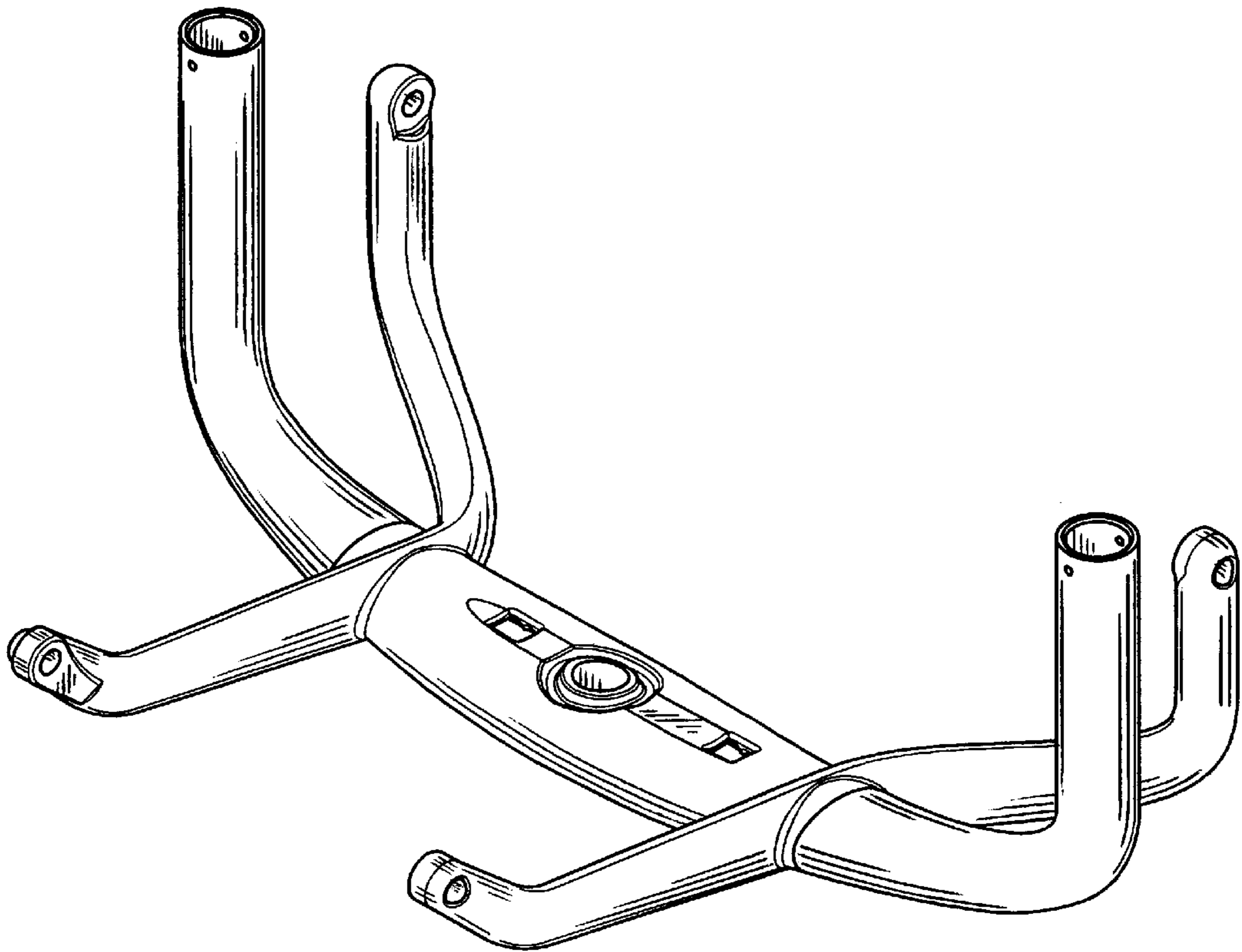


FIG. 1

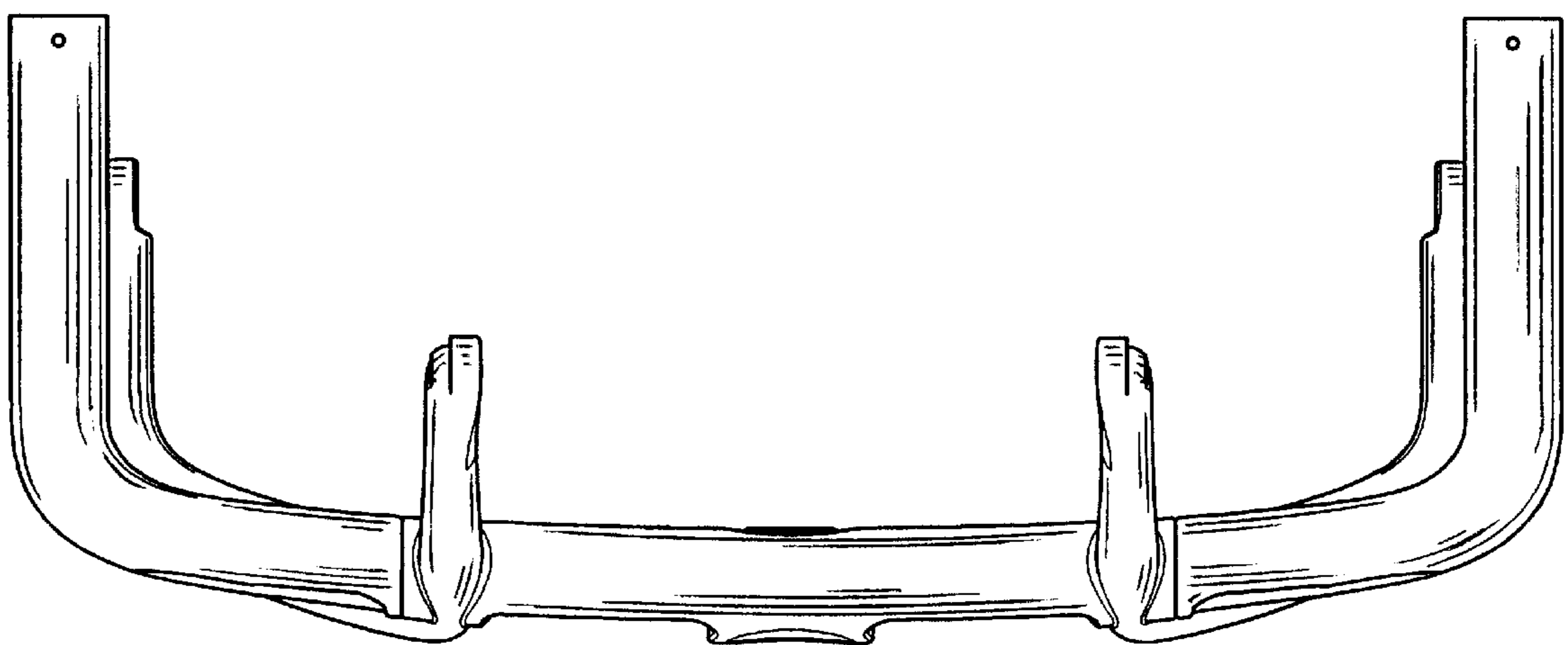


FIG. 2

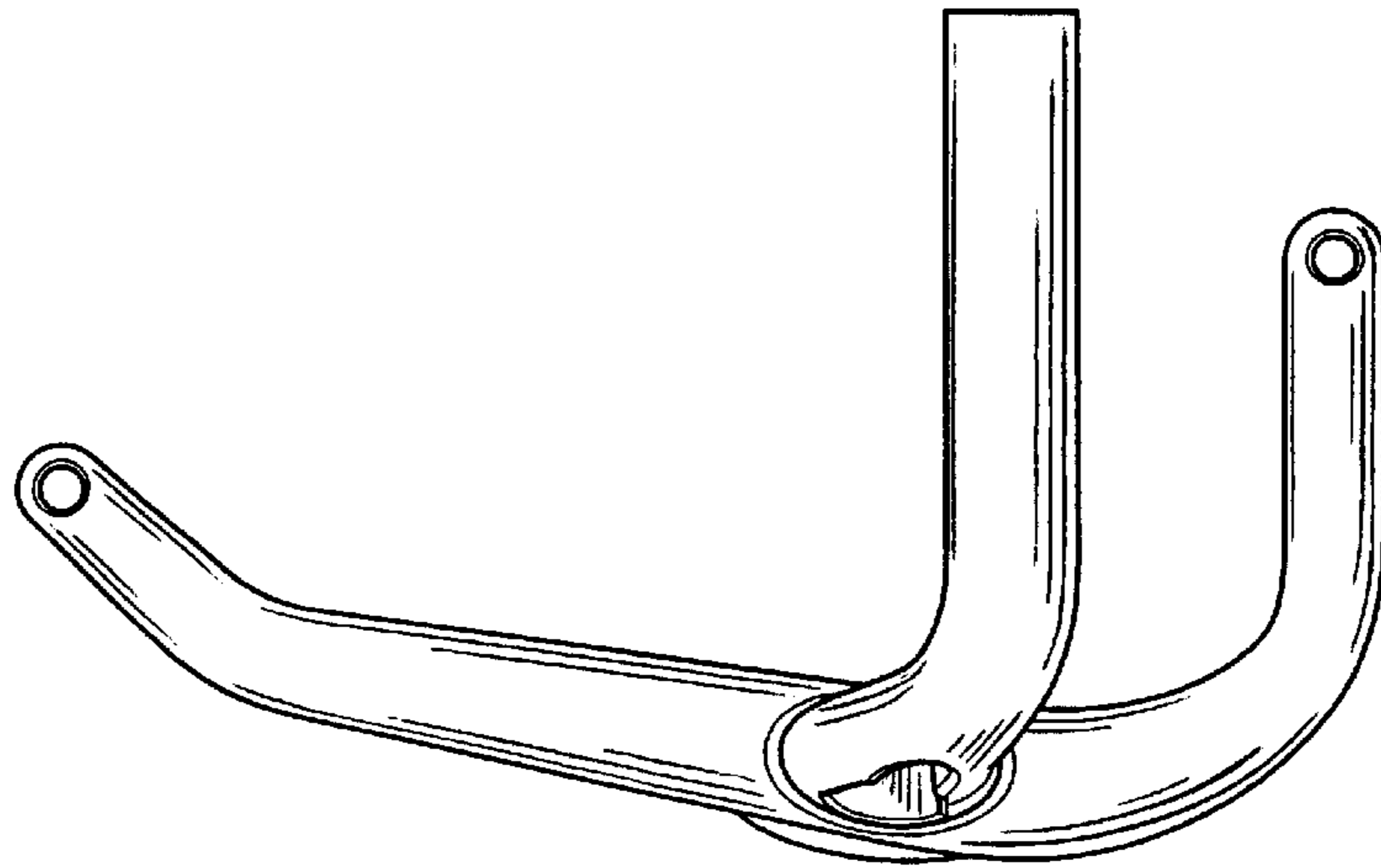


FIG. 3

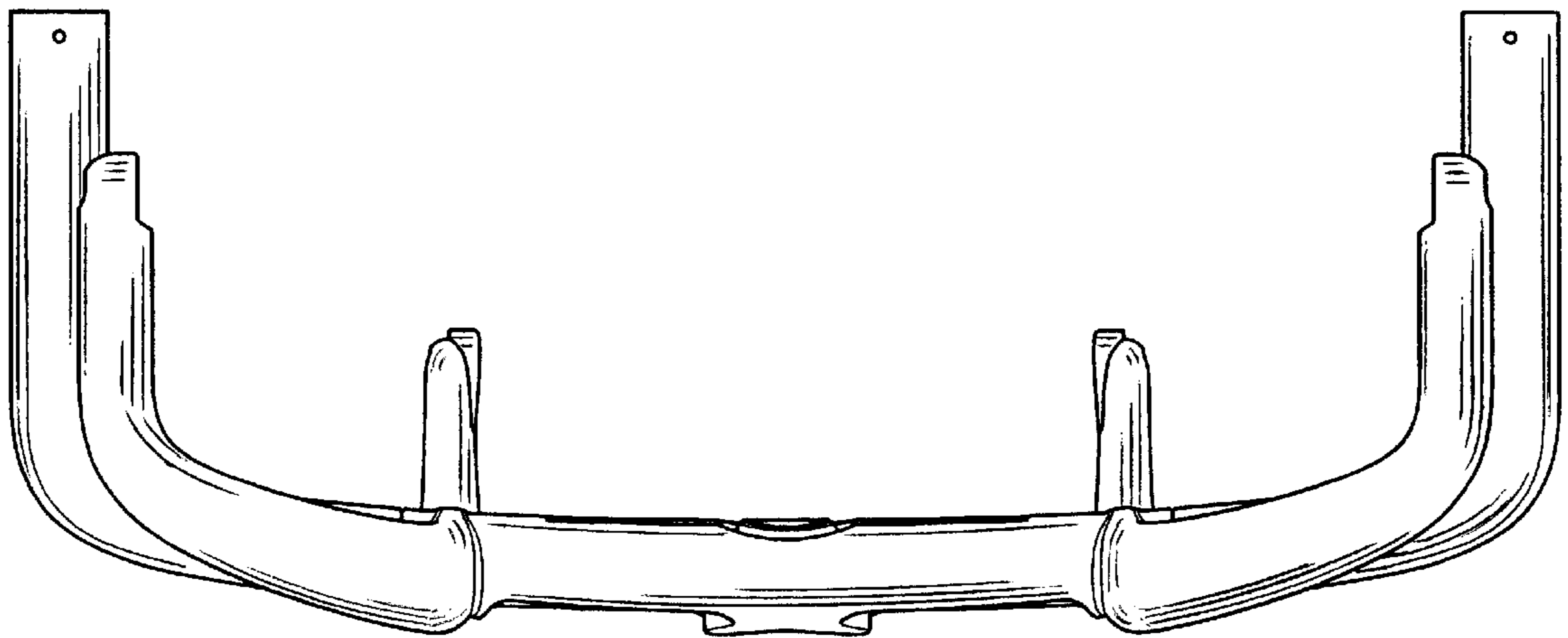


FIG. 4

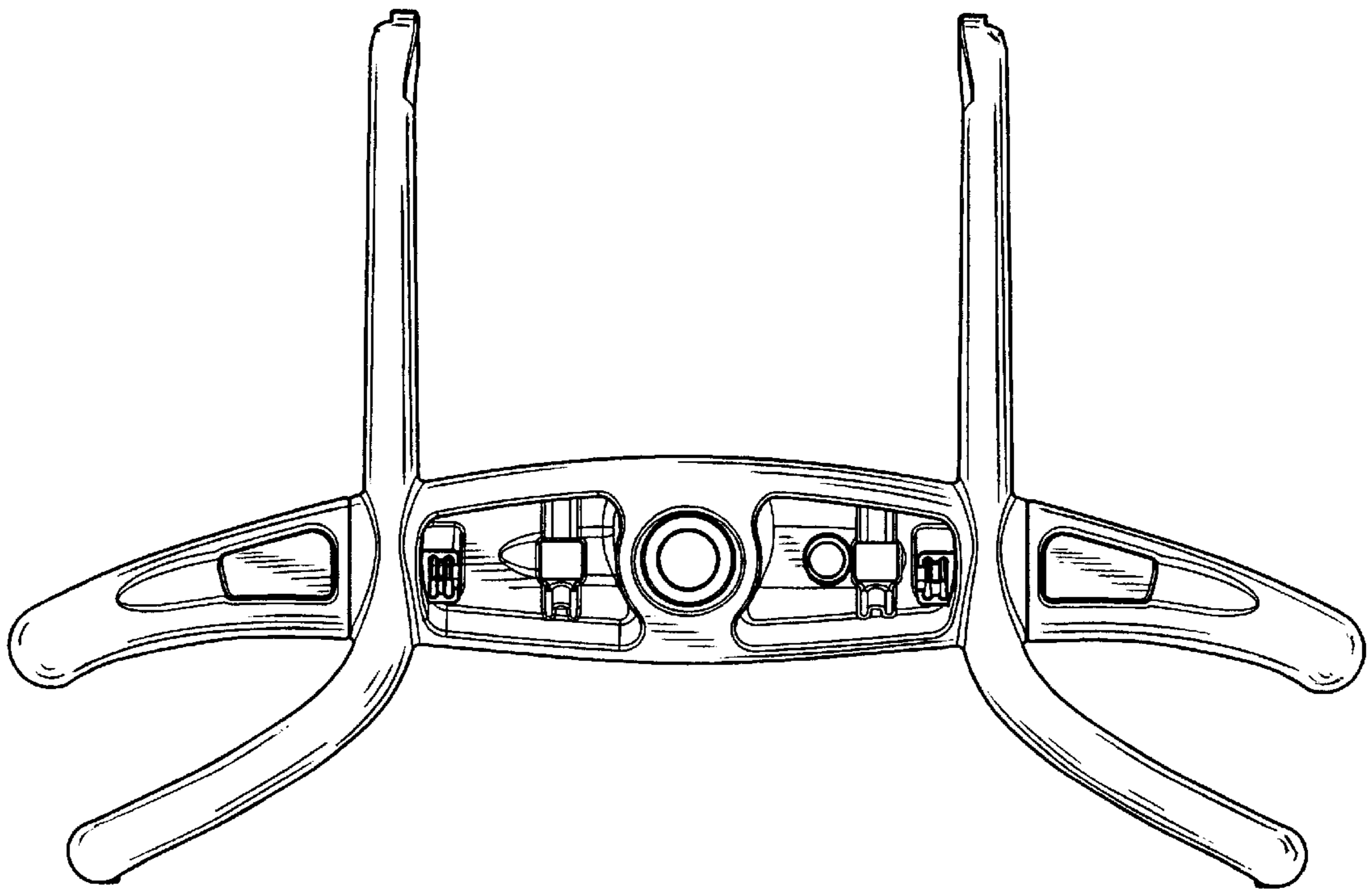


FIG. 5

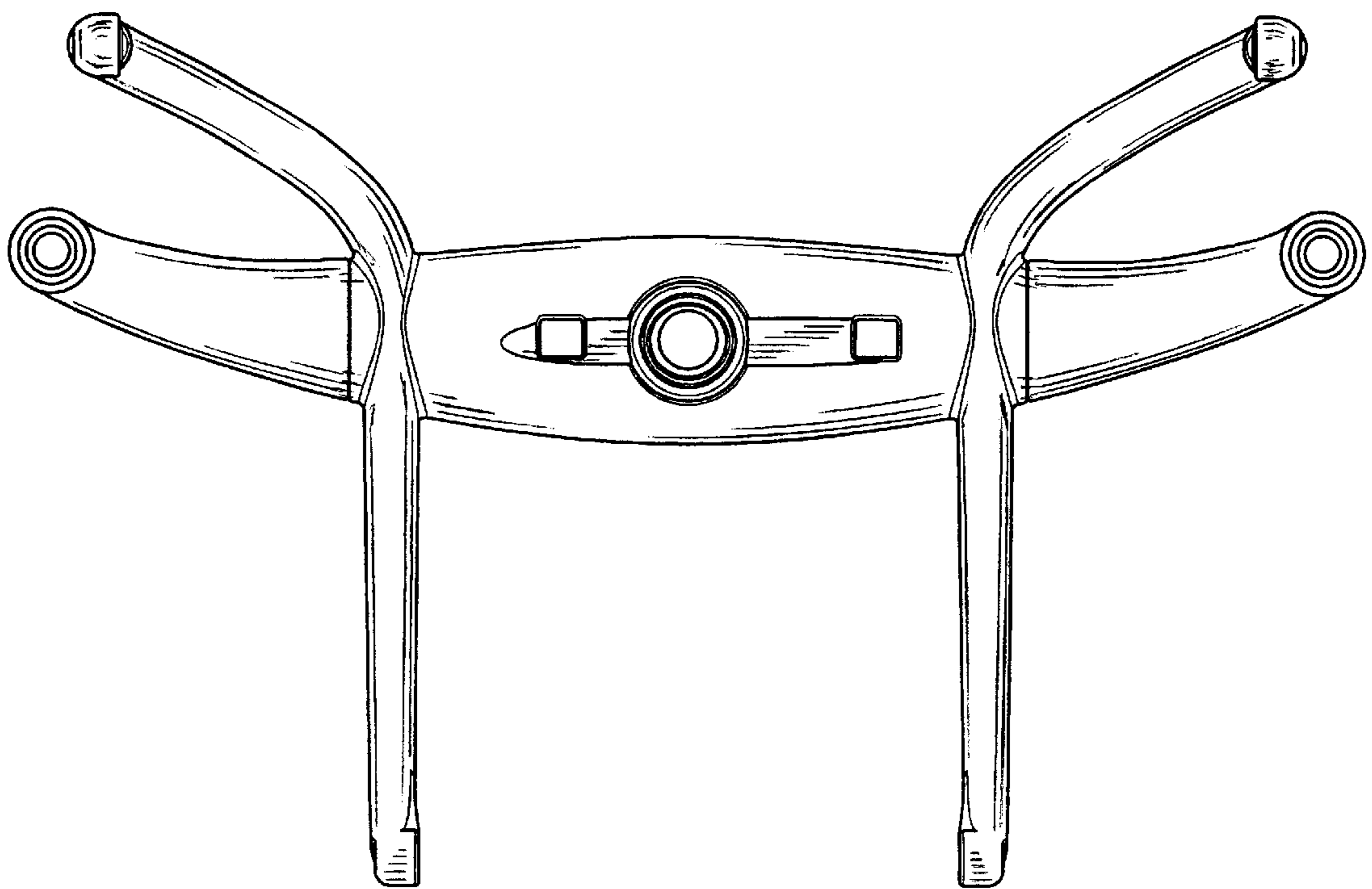


FIG. 6