



US00D474923S

(12) **United States Design Patent**
Johnson

(10) **Patent No.:** **US D474,923 S**

(45) **Date of Patent:** **** May 27, 2003**

(54) **MERCHANDISING SYSTEM**

(75) Inventor: **Allen E. Johnson**, Hartford, WI (US)

(73) Assignee: **DCI Marketing, Inc.**, Milwaukee, WI (US)

(**) Term: **14 Years**

(21) Appl. No.: **29/167,630**

(22) Filed: **Sep. 18, 2002**

(51) **LOC (7) Cl.** **06-04**

(52) **U.S. Cl.** **D6/475; D6/407; D6/629; D6/466**

(58) **Field of Search** D6/407, 629, 630, D6/408, 449, 466, 475, 476; 206/307, 307.1, 308.1, 310, 387.15; 211/13.1, 40-41.12; 312/9.1, 9.47-9.64, 348.3

(56) **References Cited**

U.S. PATENT DOCUMENTS

4,684,027	A	*	8/1987	Wright	211/40
5,031,780	A	*	7/1991	Lemmerman et al.	...	211/41.12
D342,398	S	*	12/1993	Lemmerman et al.	D6/467
5,346,078	A	*	9/1994	Ernetoft	211/90.01
5,638,962	A	*	6/1997	Price, Jr.	206/387.15
D402,130	S	*	12/1998	Wolff	D6/408
D406,478	S	*	3/1999	Rahman	D6/475
D428,752	S	*	8/2000	Marquez, Jr.	D6/629
D454,749	S	*	3/2002	Georgiadis et al.	D6/629
D458,484	S	*	6/2002	Wood	D6/511

OTHER PUBLICATIONS

U.S. patent application Ser. No. 60/632,657, Johnson.

U.S. patent application Ser. No. 29/161,149, Johnson.

* cited by examiner

Primary Examiner—Cathron C. Brooks

(74) *Attorney, Agent, or Firm*—Foley & Lardner

(57) **CLAIM**

The ornamental design for a merchandising system, as shown and described.

DESCRIPTION

FIG. 1 is a front perspective view of a merchandising system.

FIG. 2 is a front perspective view of the merchandising system.

FIG. 3 is a top plan view of the merchandising system.

FIG. 4 is a bottom plan view of the merchandising system.

FIG. 5 is a rear elevation view of the merchandising system.

FIG. 6 is a front elevation view of the merchandising system.

FIG. 7 is a right side elevation view of the merchandising system shown in FIG. 1.

FIG. 8 is a left side elevation view of the merchandising system shown in FIG. 1.

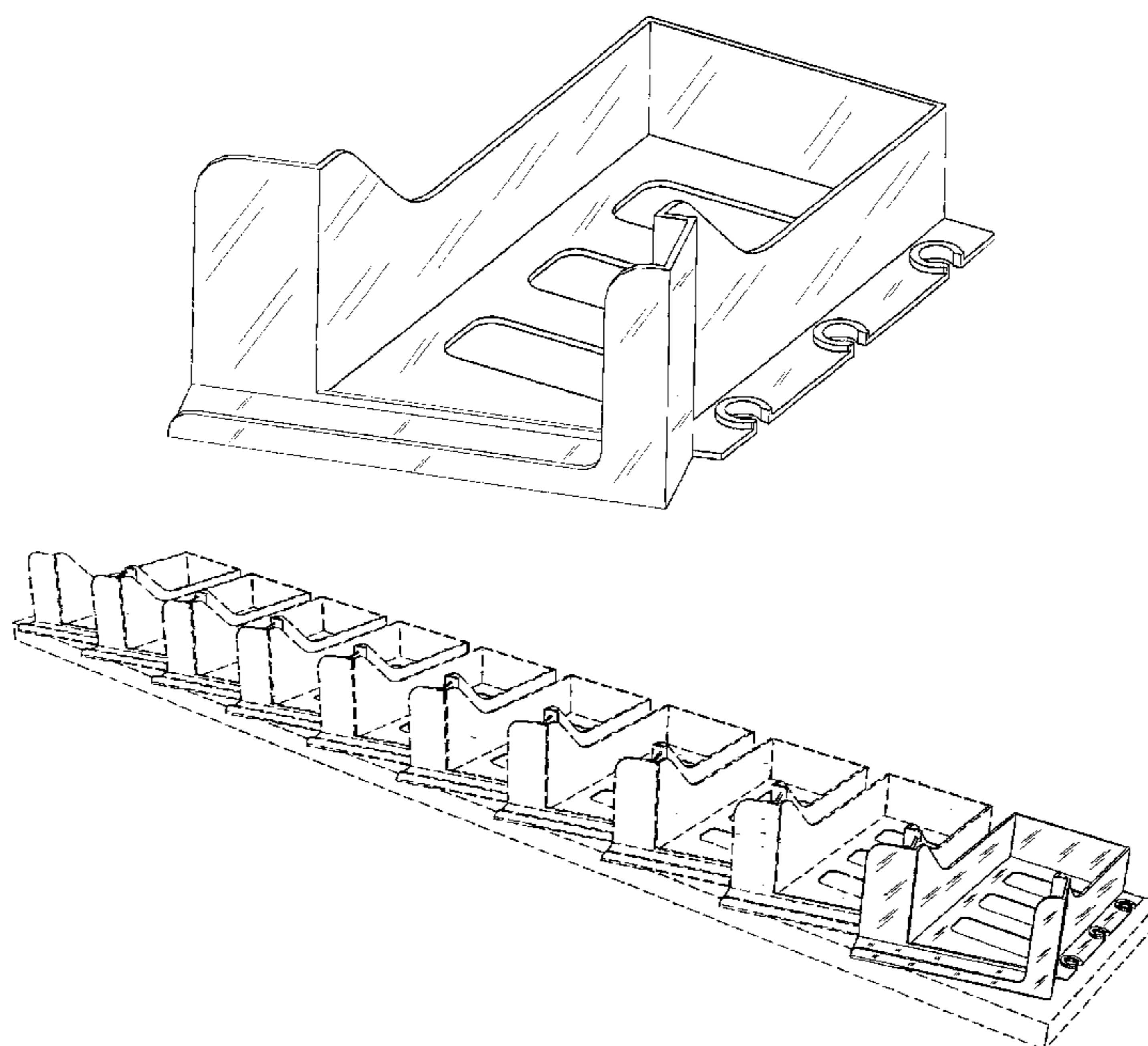
FIG. 9 is a front perspective view of the merchandising system of FIGS. 1-8, showing additional units and articles in broken lines for illustrative purposes only and which form no part of the claimed design.

FIG. 10 is an additional front perspective view of the merchandising system shown in FIG. 9.

FIG. 11 is an additional front perspective view of a merchandising system shown in FIG. 9; and,

FIG. 12 is an additional front perspective view of the merchandising system shown in FIG. 9.

1 Claim, 12 Drawing Sheets



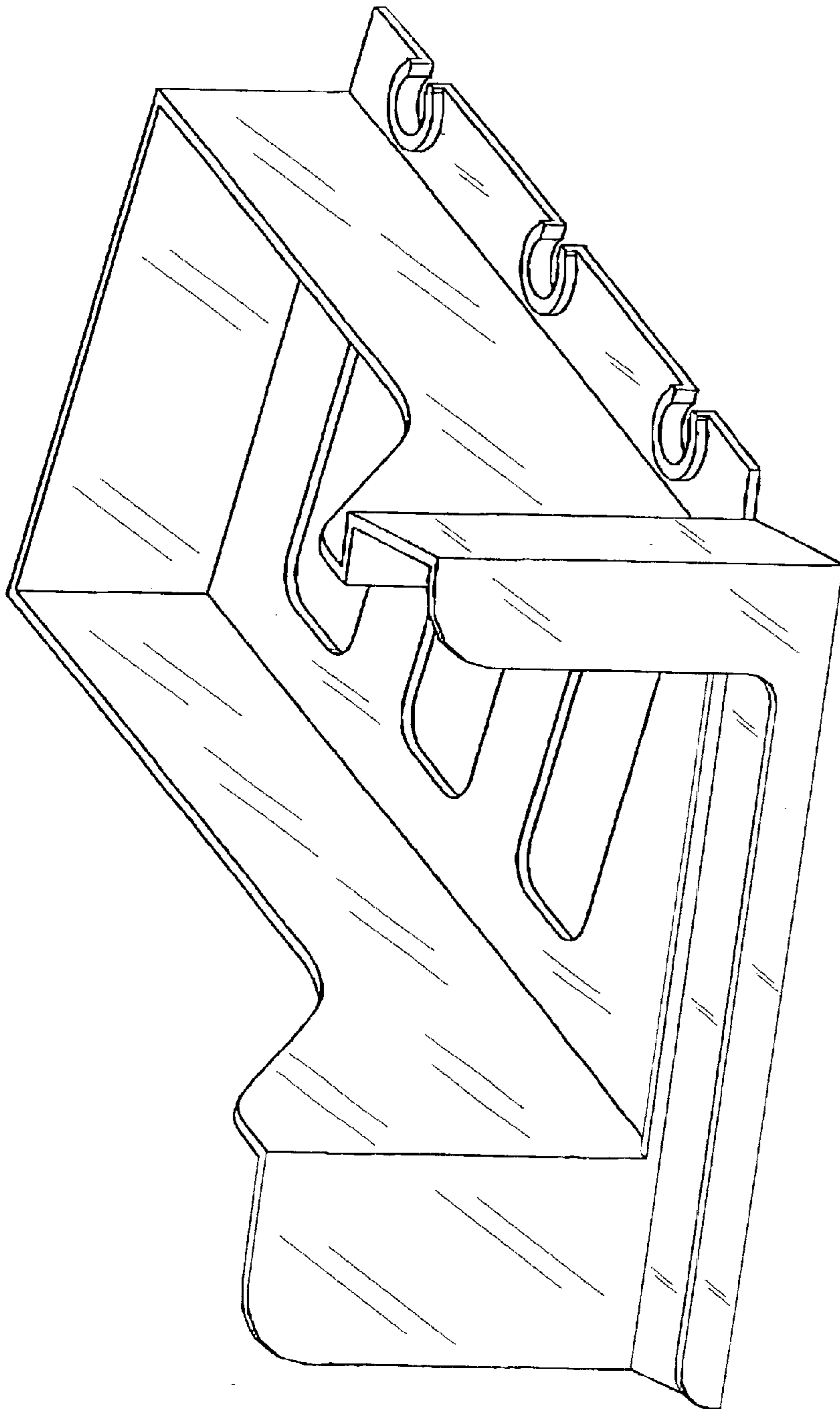


FIGURE 1

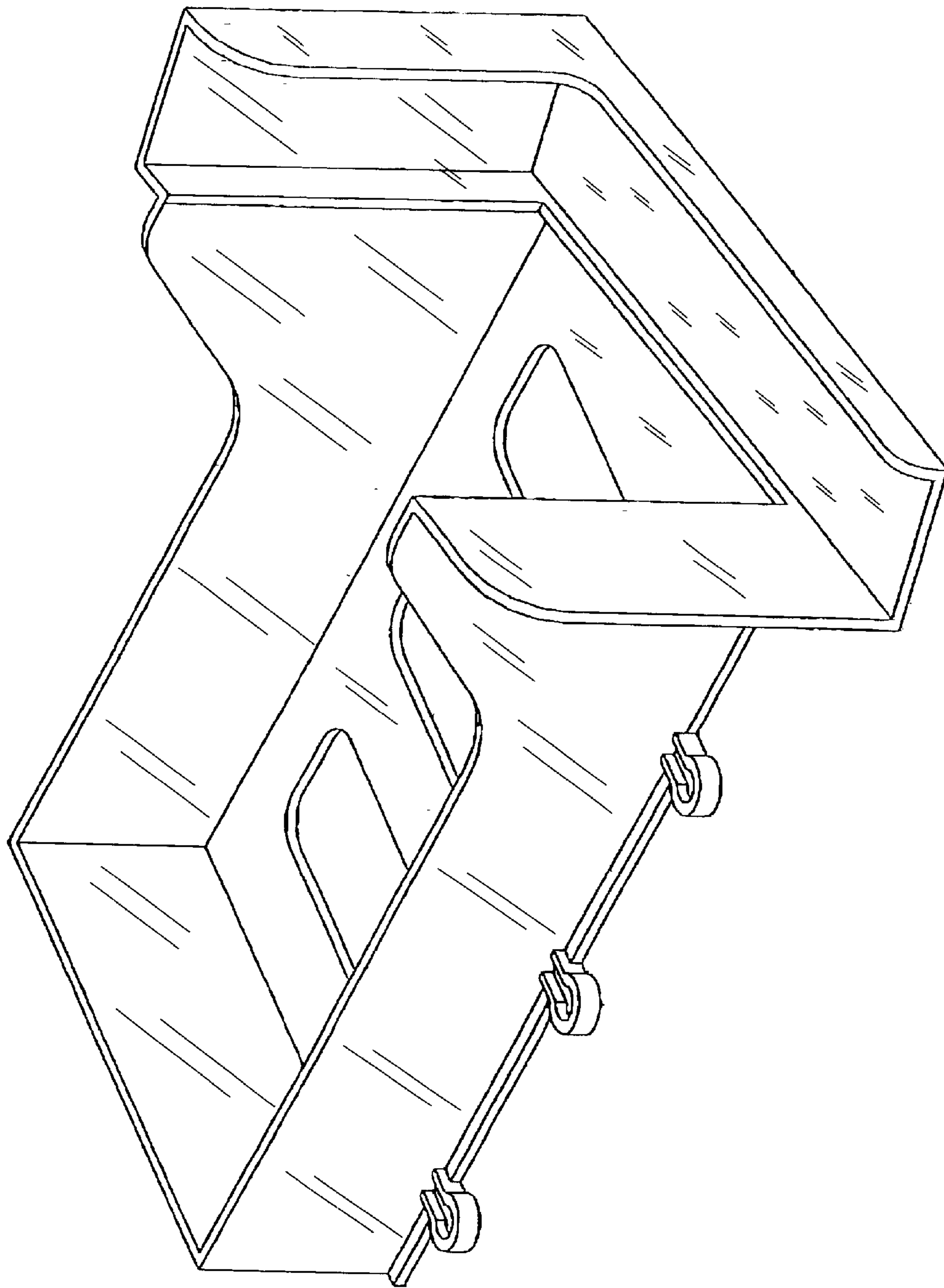


FIGURE 2

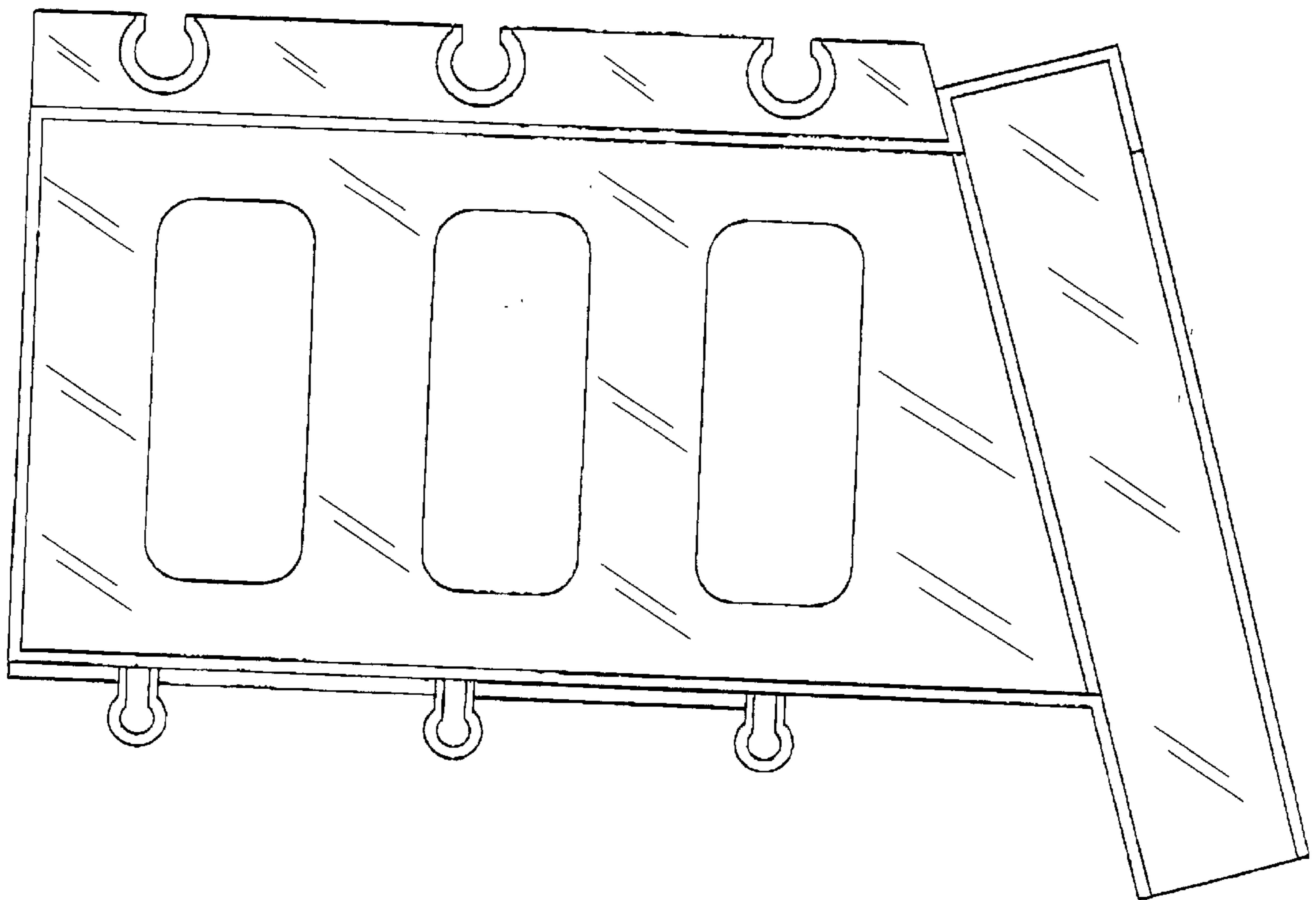


FIGURE 3

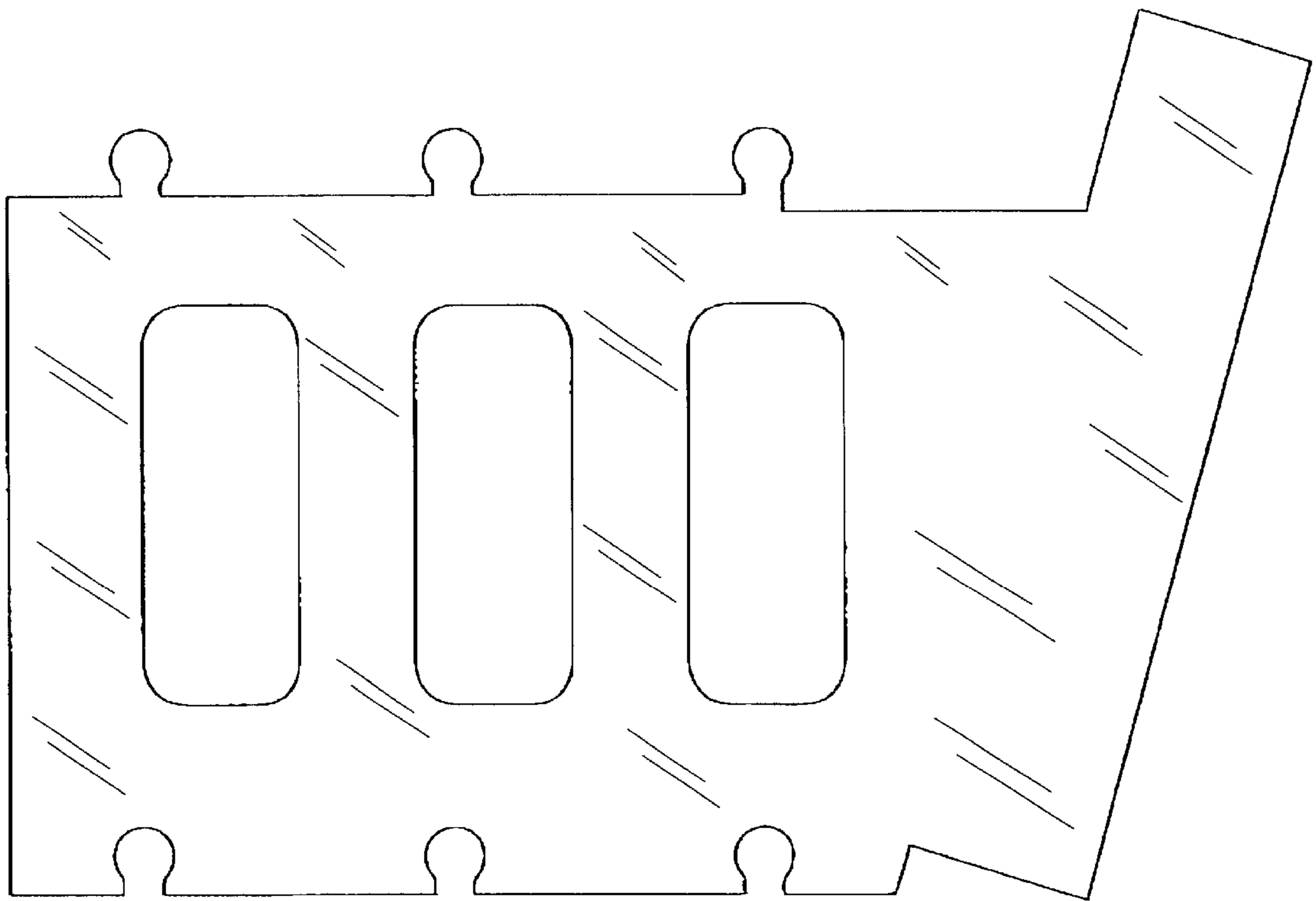
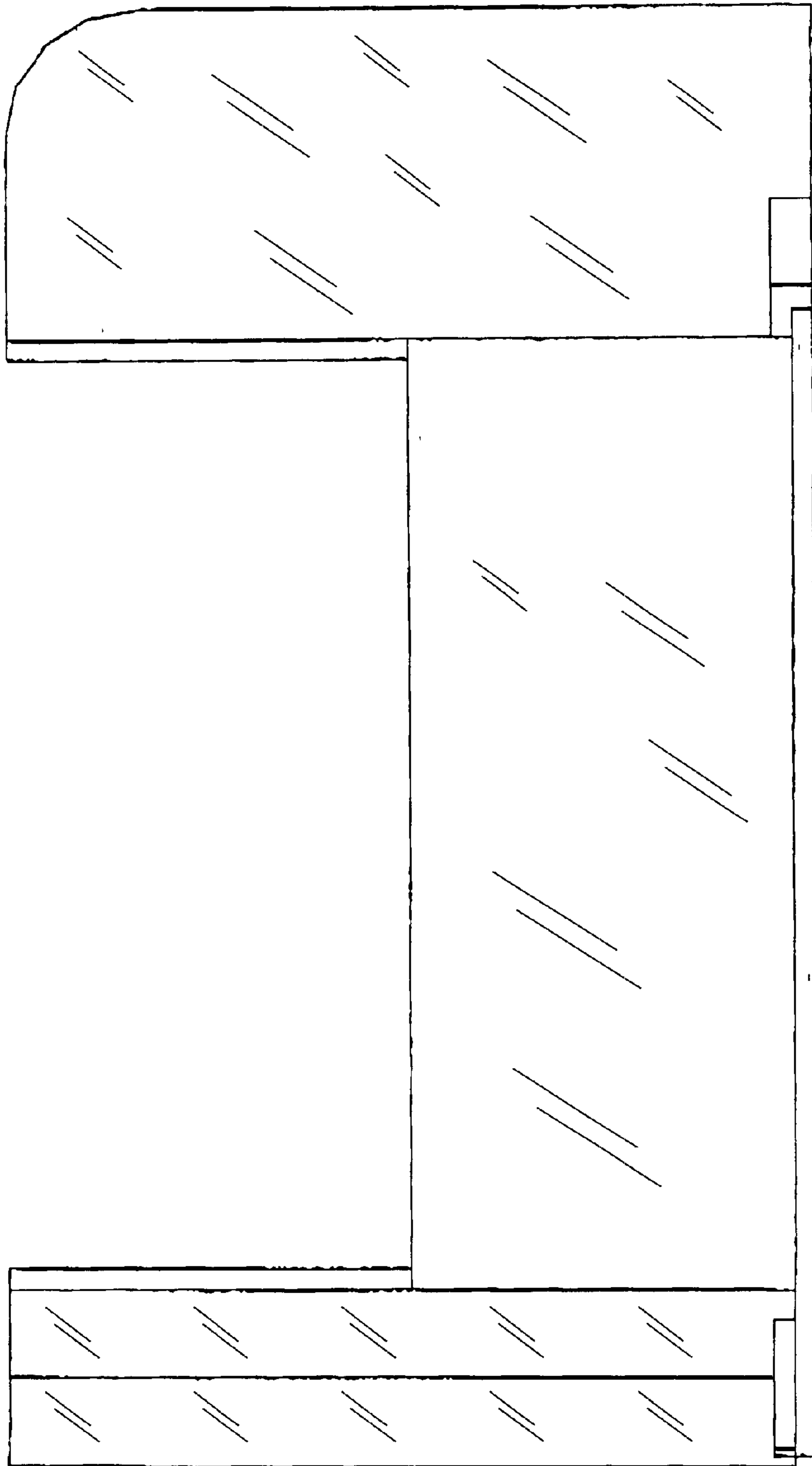


FIGURE 4

FIGURE 5



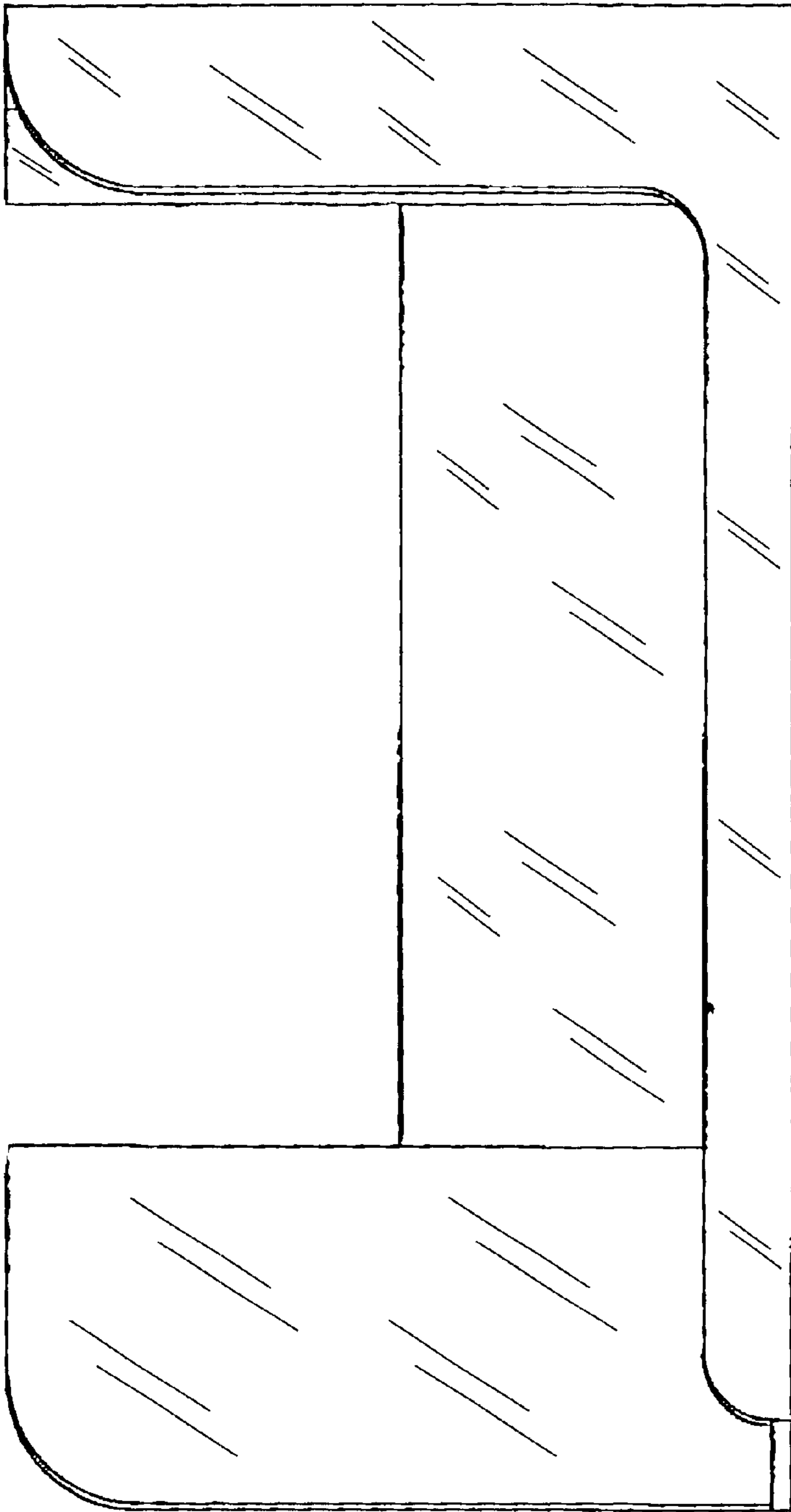


FIGURE 6

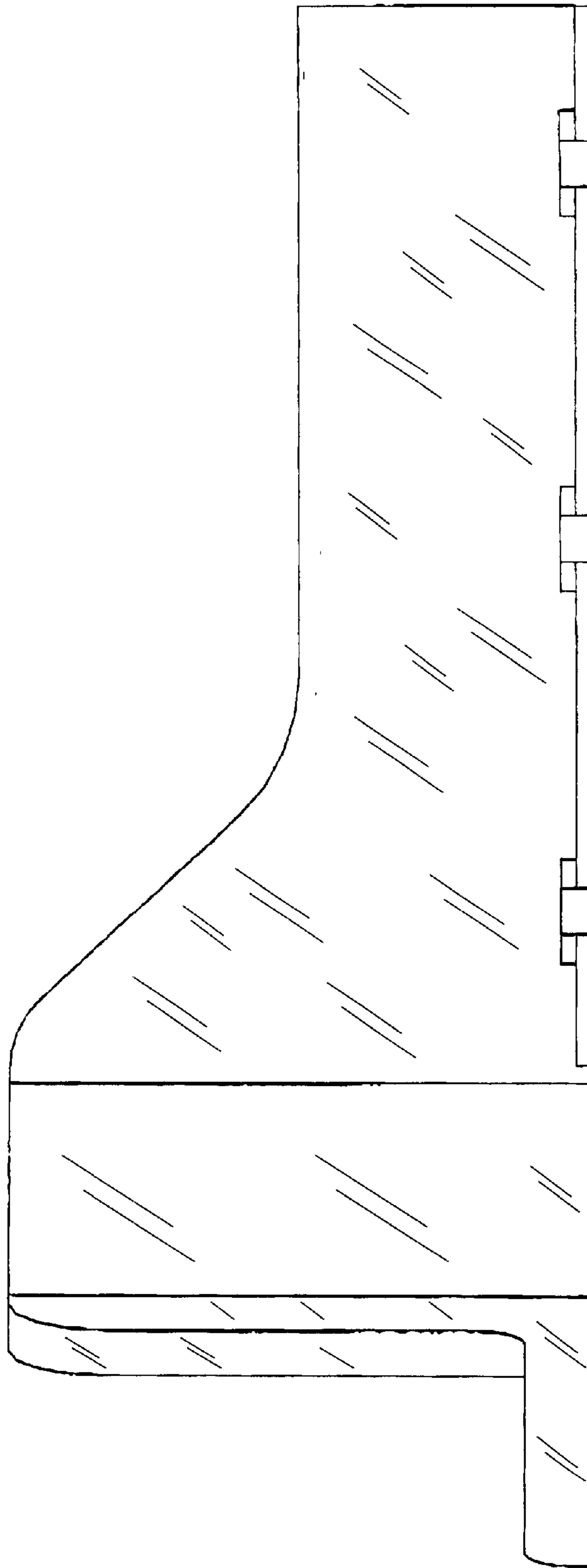


FIGURE 7

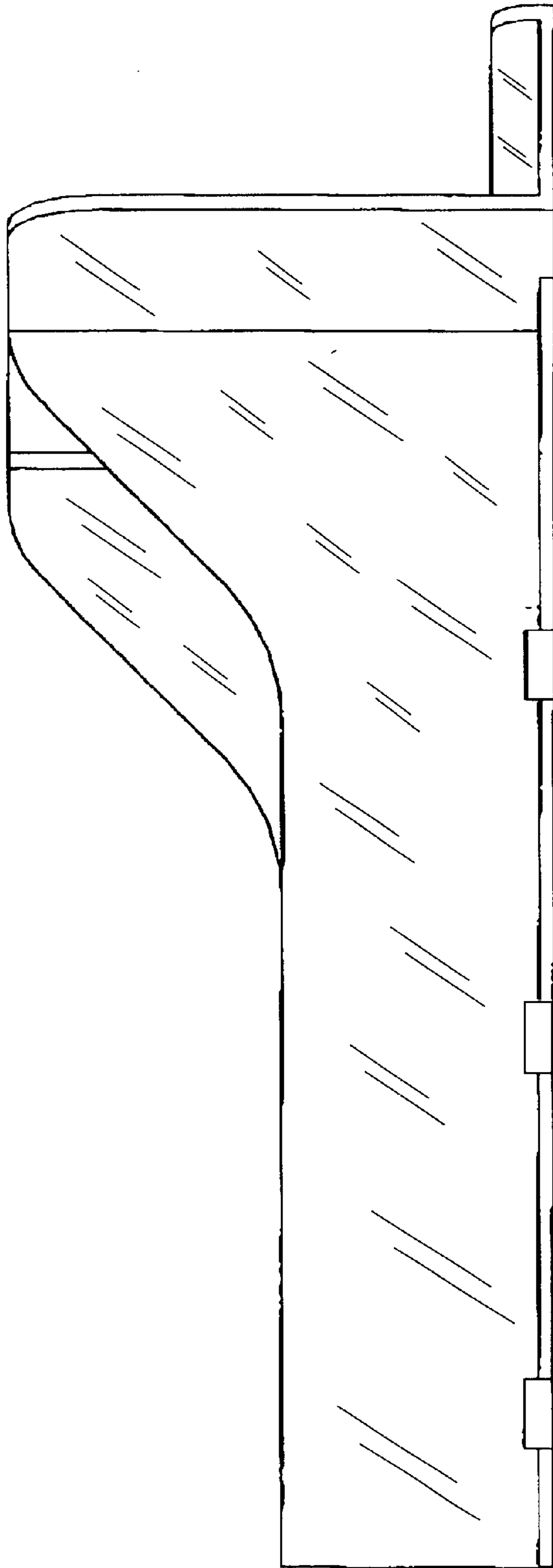


FIGURE 8

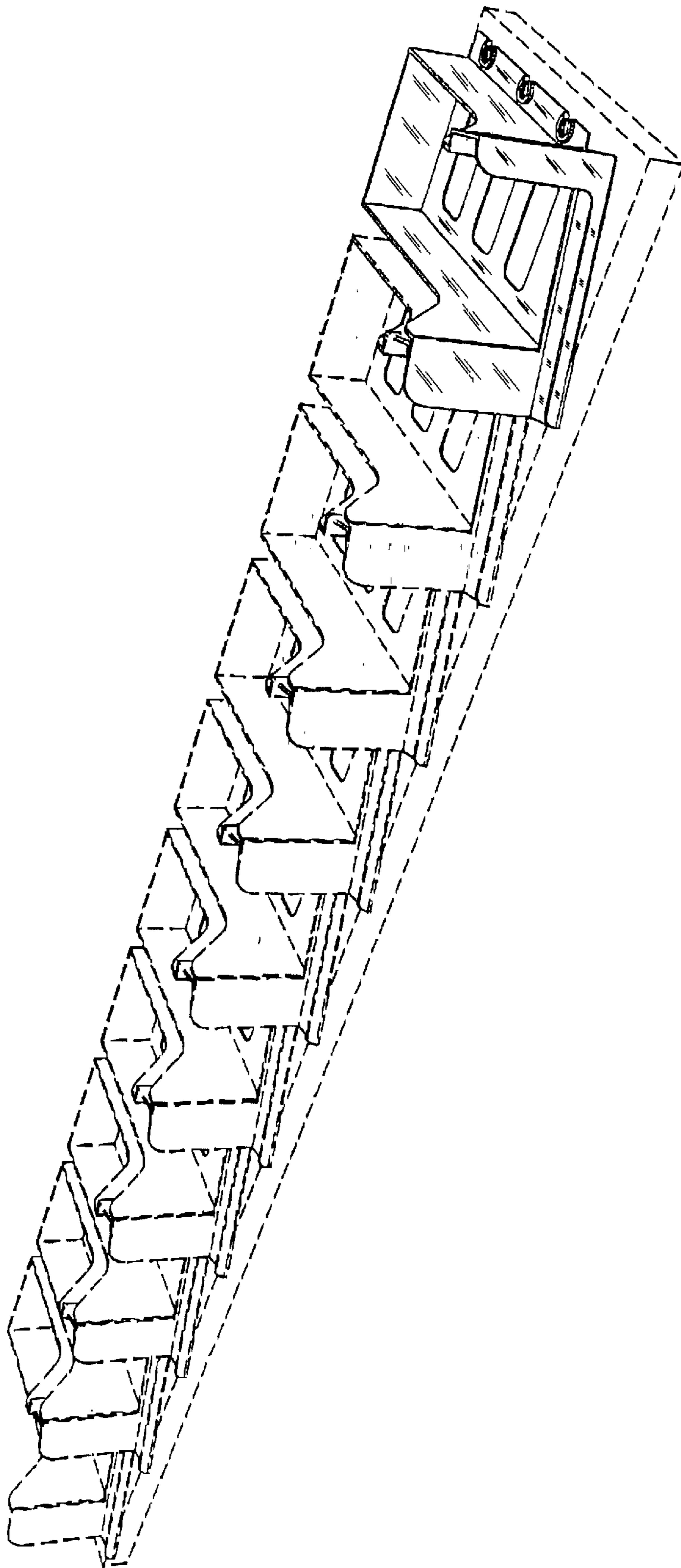


FIGURE 9

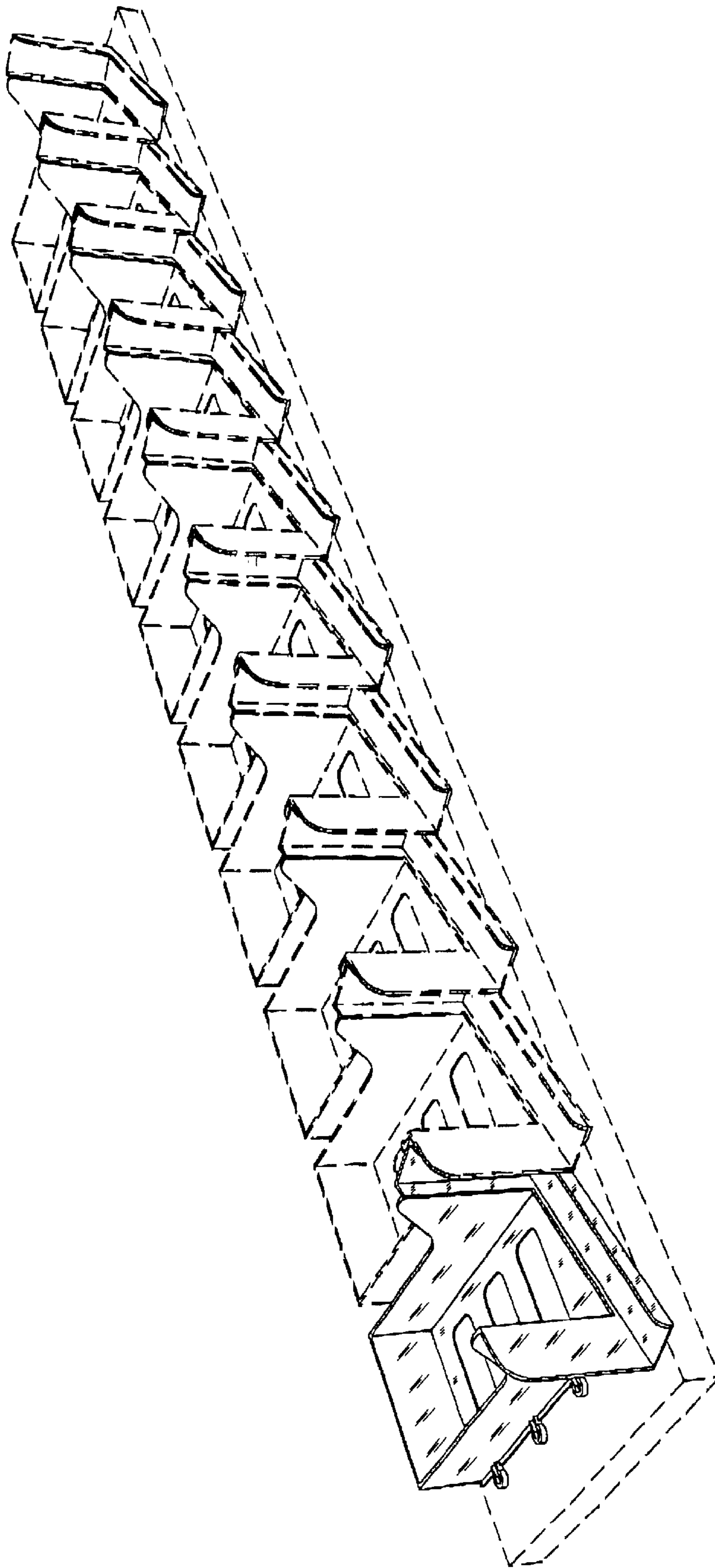


FIGURE 10

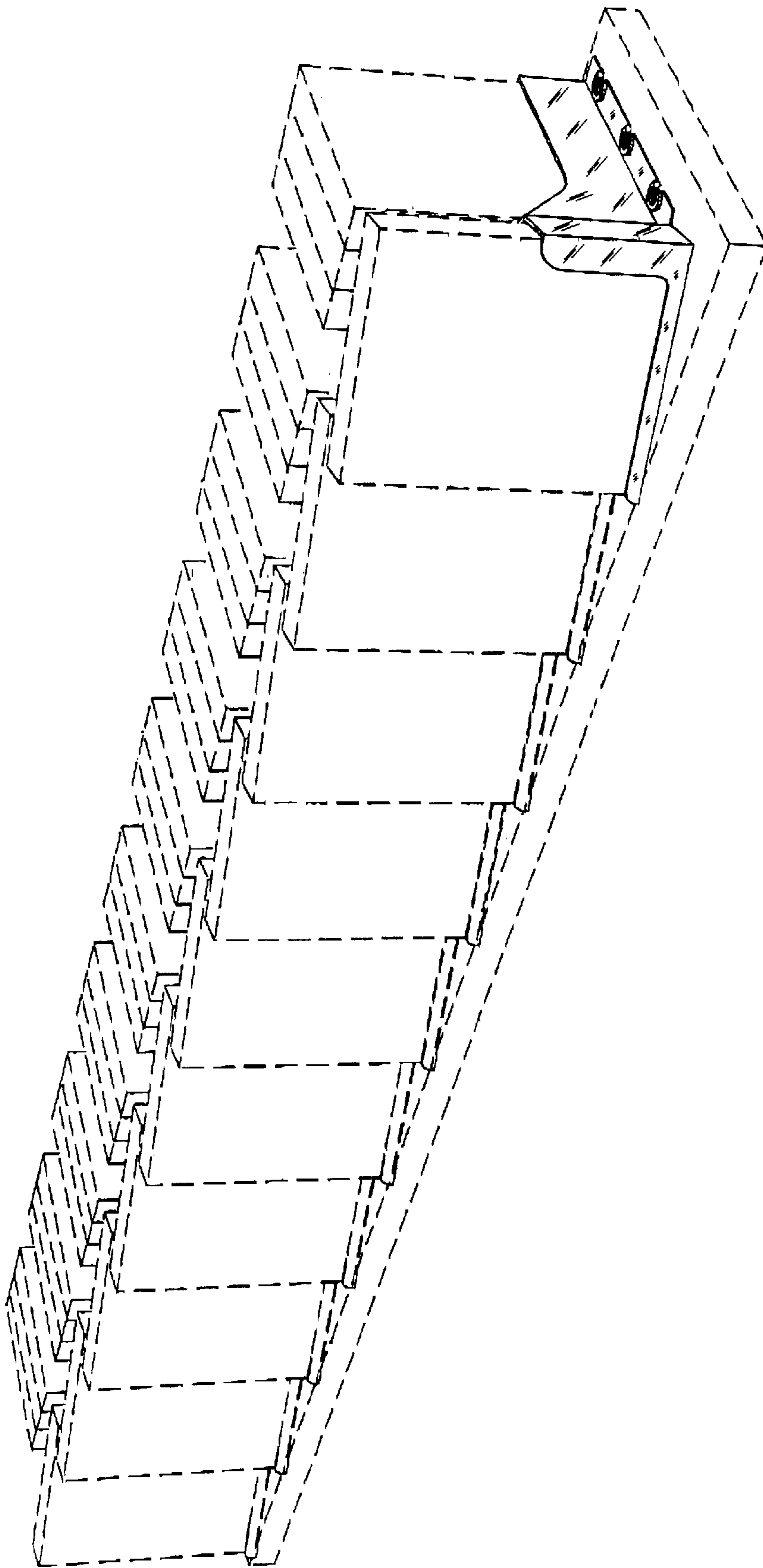


FIGURE 11

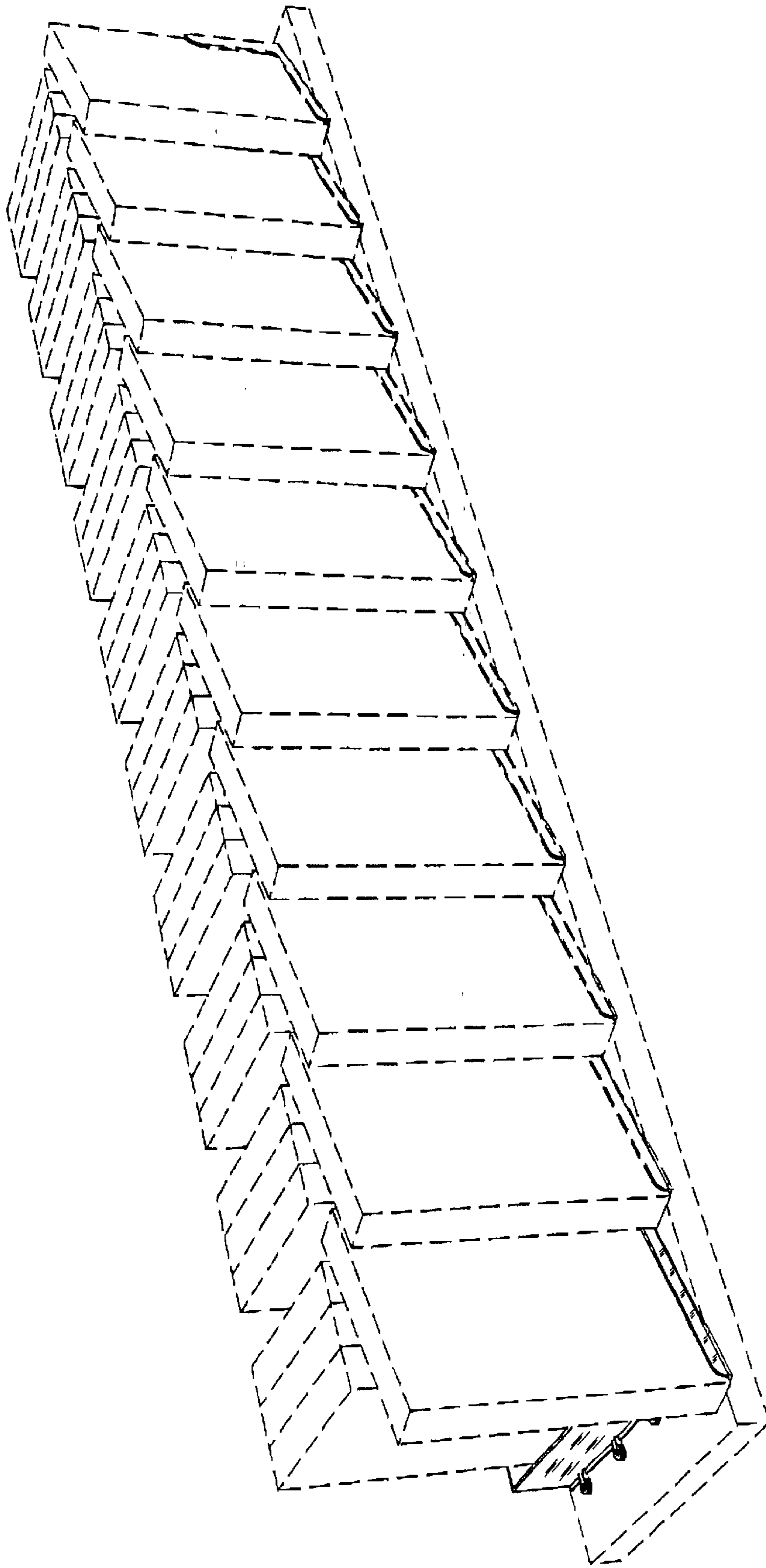


FIGURE 12