



US00D474921S

(12) **United States Design Patent**
Chen

(10) **Patent No.:** **US D474,921 S**

(45) **Date of Patent:** **** May 27, 2003**

(54) **COMPUTER TABLE**

D464,213 S * 10/2002 Chang D6/426

(76) Inventor: **Kavin Chen**, 58, Ma Yuan West St.,
Taichung (TW)

* cited by examiner

Primary Examiner—Janice E. Seeger

(**) Term: **14 Years**

(57) **CLAIM**

(21) Appl. No.: **29/164,491**

The ornamental design for a computer table, as shown and described.

(22) Filed: **Jul. 23, 2002**

DESCRIPTION

(51) **LOC (7) Cl.** **06-04**

(52) **U.S. Cl.** **D6/426**

(58) **Field of Search** D6/421–428, 484,
D6/477, 419, 420, 474; 108/50.01, 50.02,
28; 312/194–196, 208.1, 208.4, 238

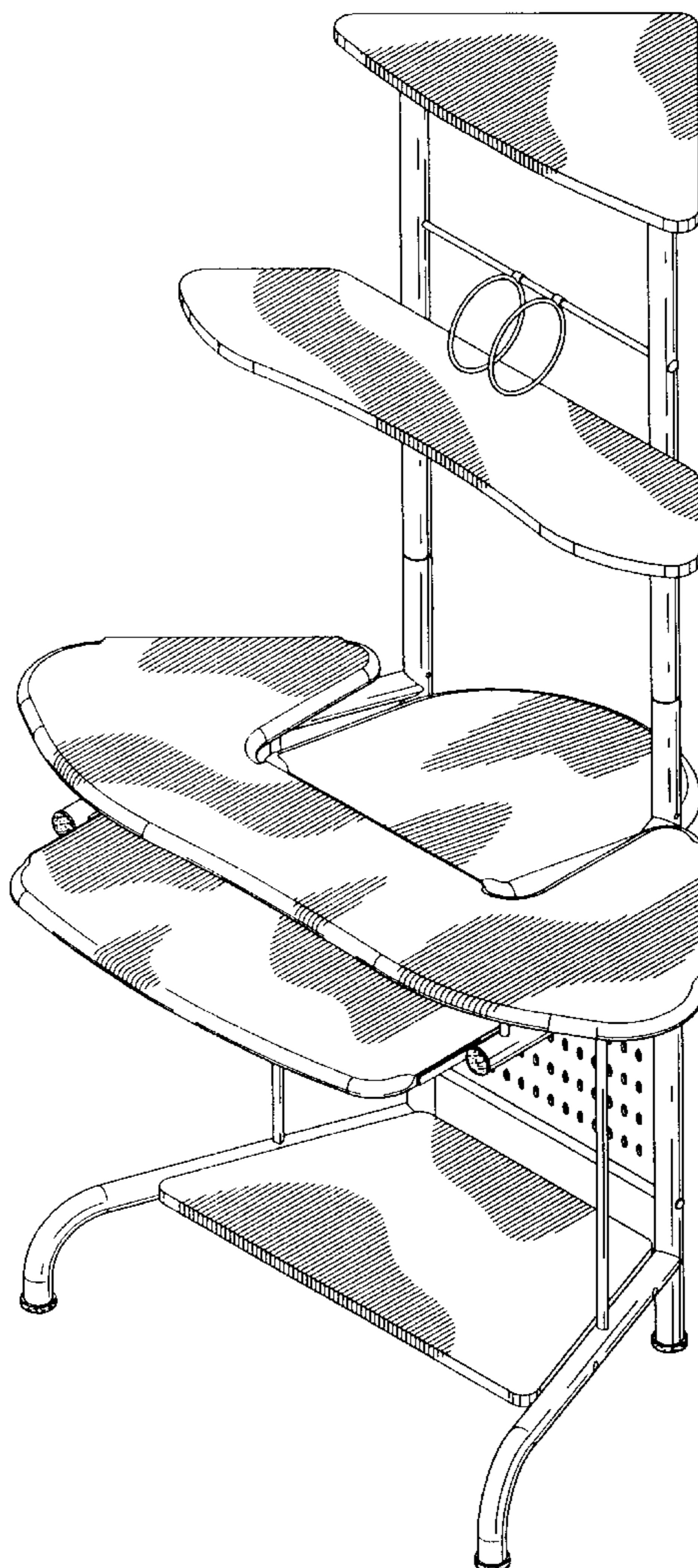
FIG. 1 is a perspective view of a computer table showing my new design;
FIG. 2 is a front elevational view thereof;
FIG. 3 is a rear elevational view thereof;
FIG. 4 is a left side elevational view thereof;
FIG. 5 is a right side elevational view thereof;
FIG. 6 is a top plan view thereof;
FIG. 7 is a bottom plan view thereof; and,
FIG. 8 is a perspective schematic view illustrating an application of a computer table showing my design.

(56) **References Cited**

U.S. PATENT DOCUMENTS

- D456,633 S * 5/2002 Chang D6/426
- D457,747 S * 5/2002 Luong D6/426
- D459,110 S * 6/2002 Chang D6/426
- D463,922 S * 10/2002 Chang D6/426

1 Claim, 8 Drawing Sheets



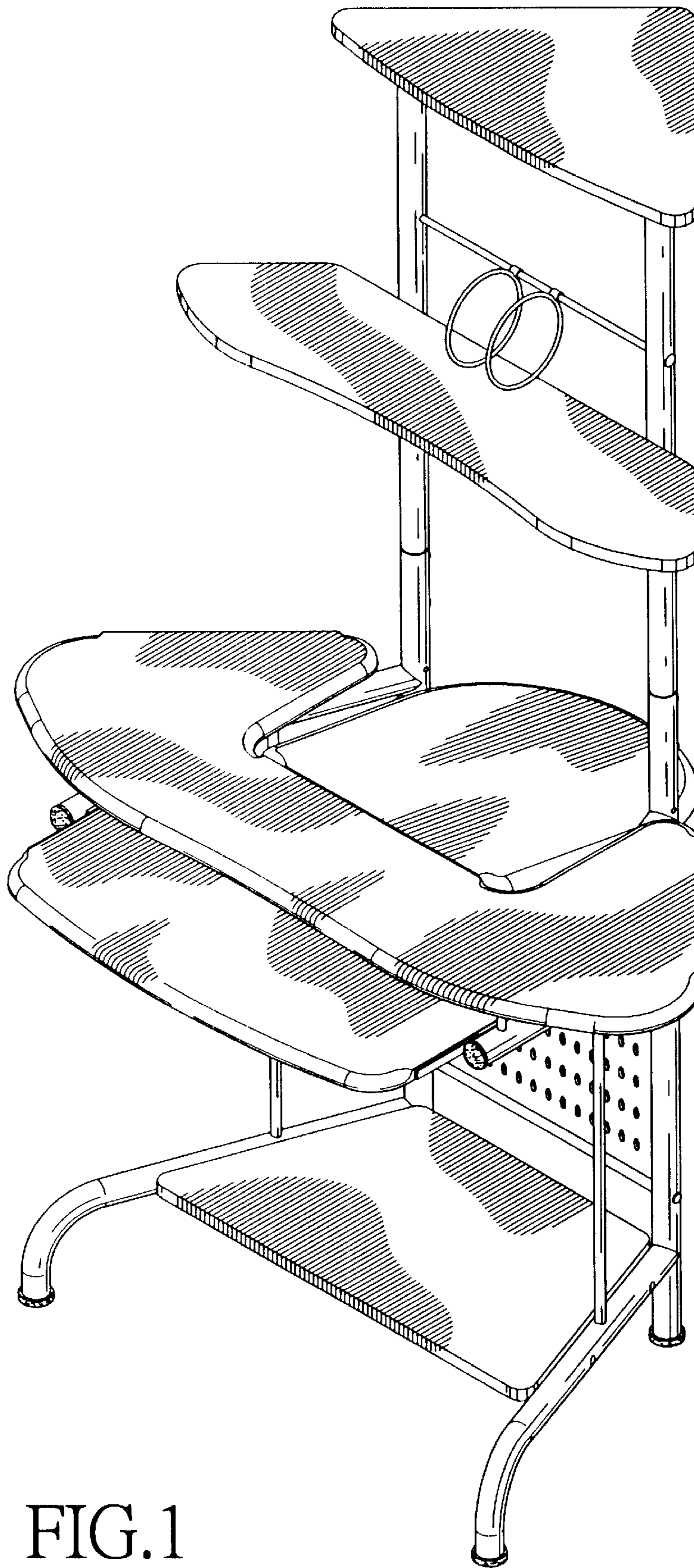


FIG. 1

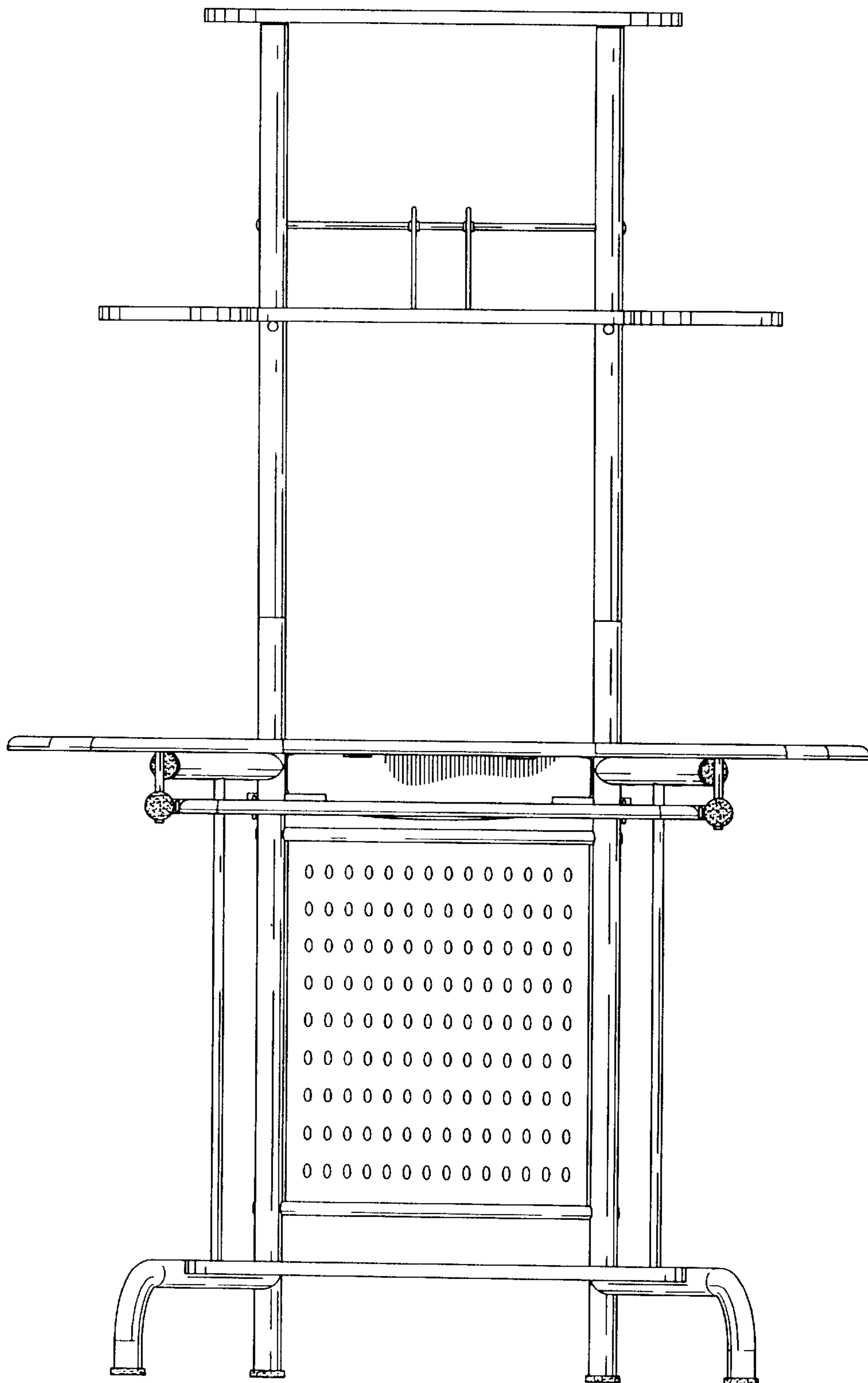


FIG.2

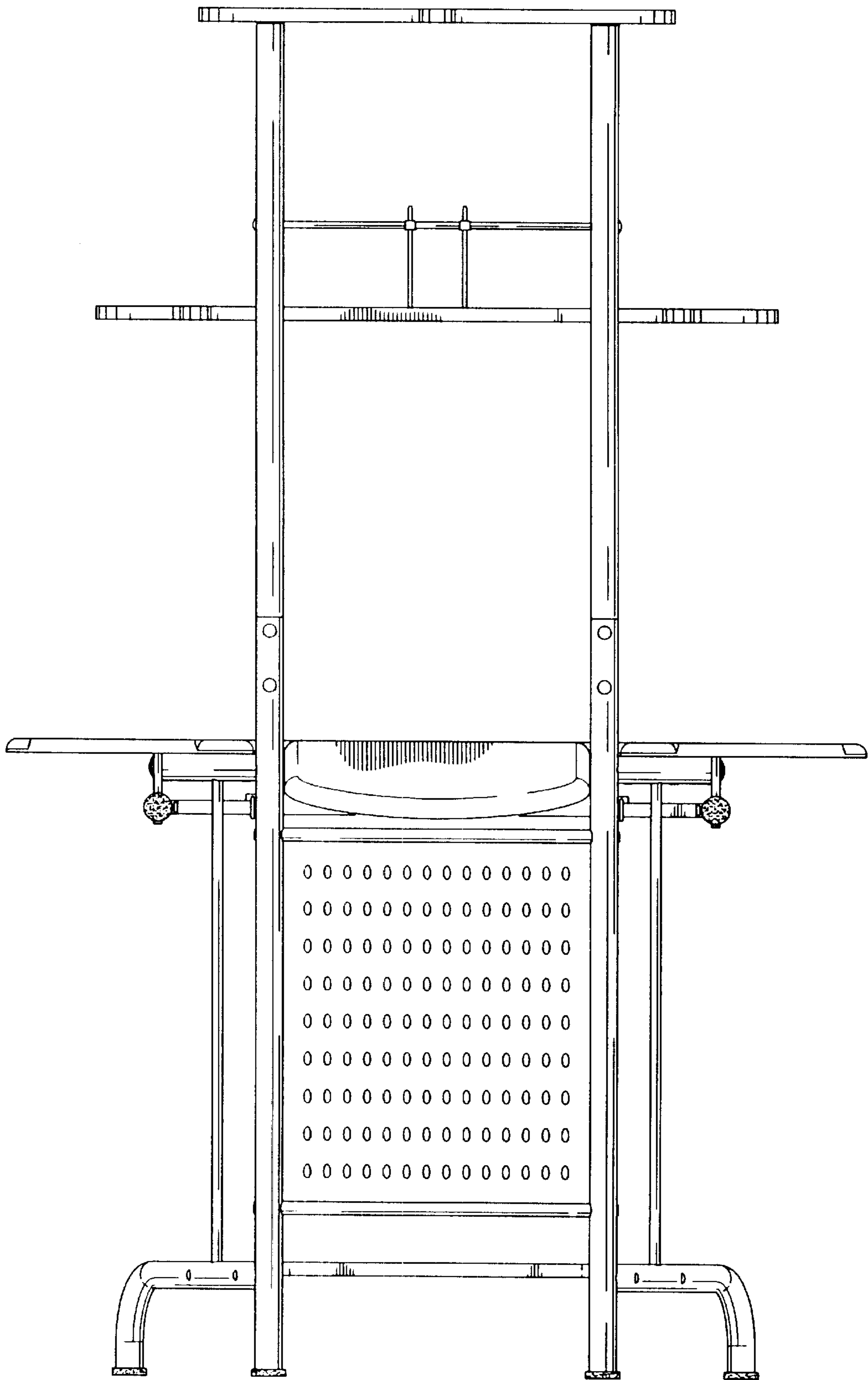


FIG. 3

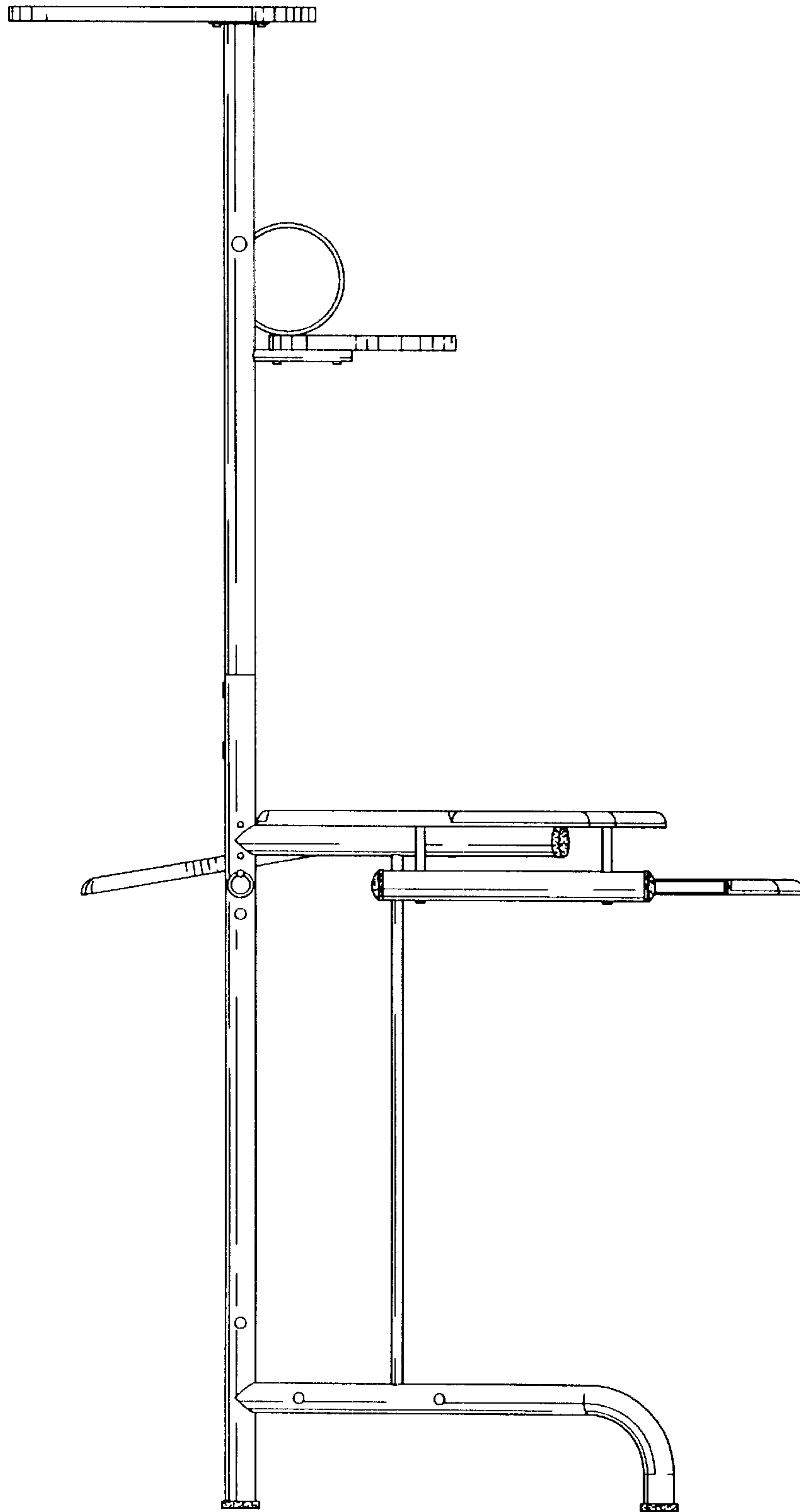


FIG. 4

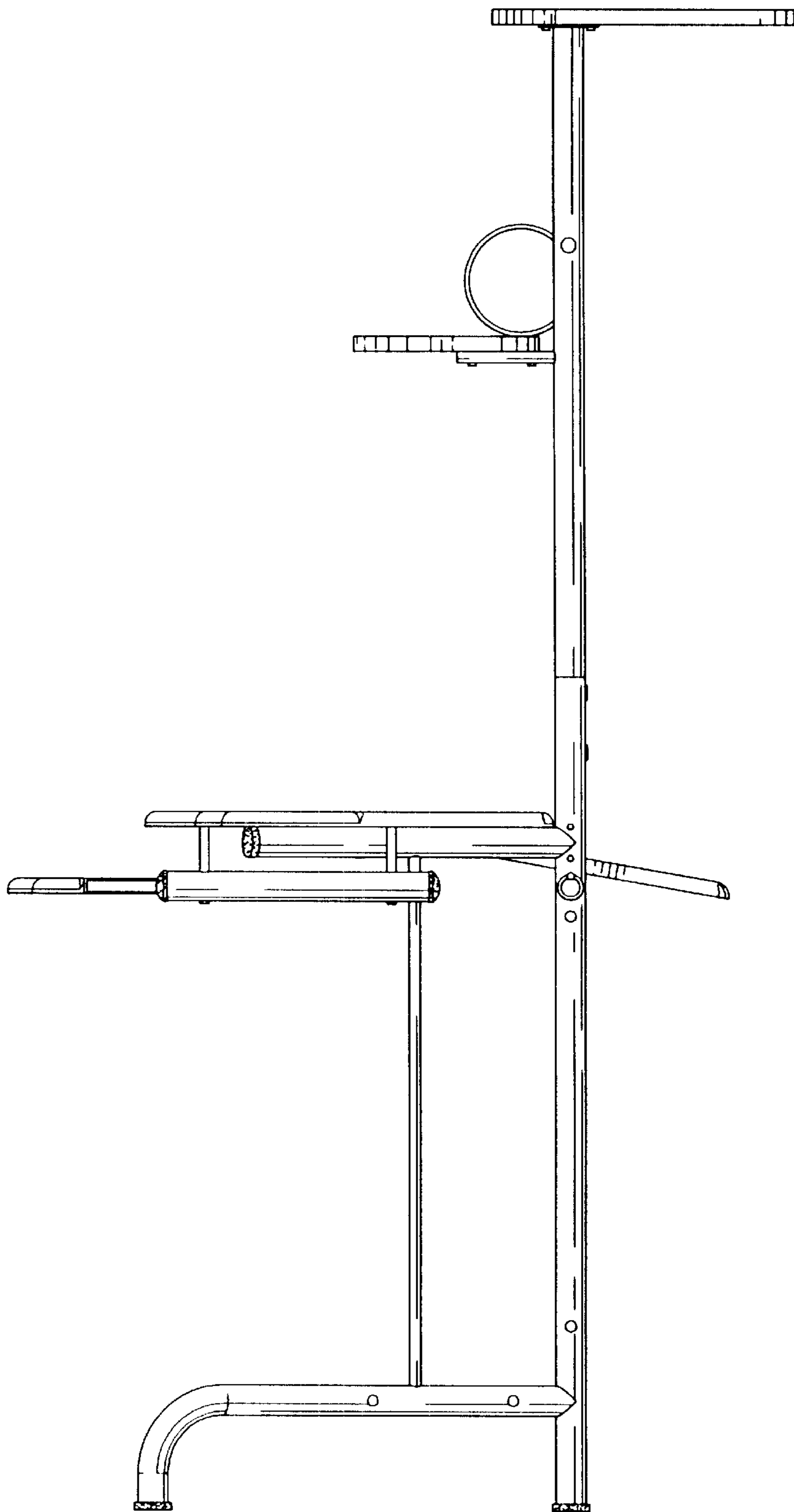


FIG.5

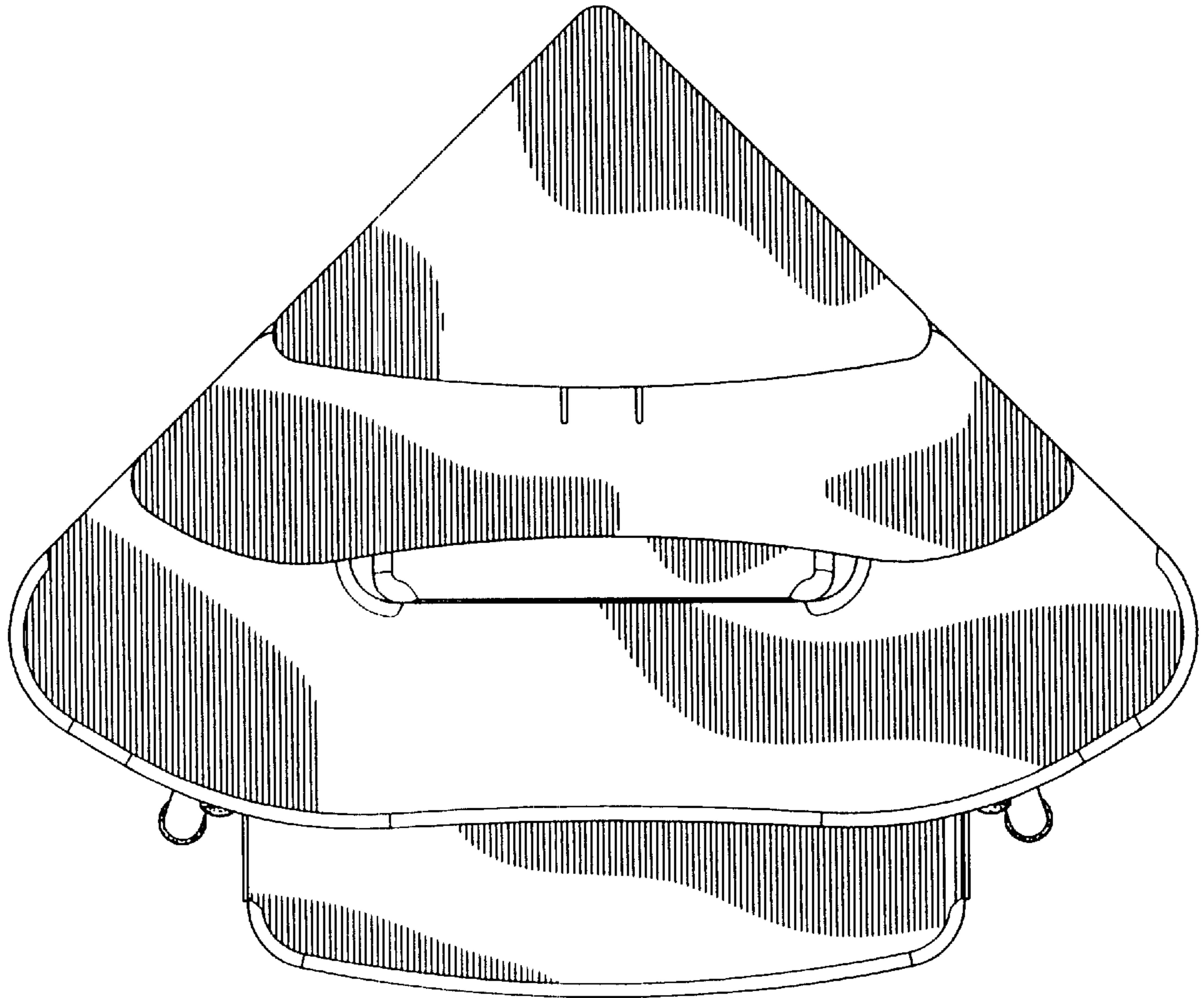


FIG.6

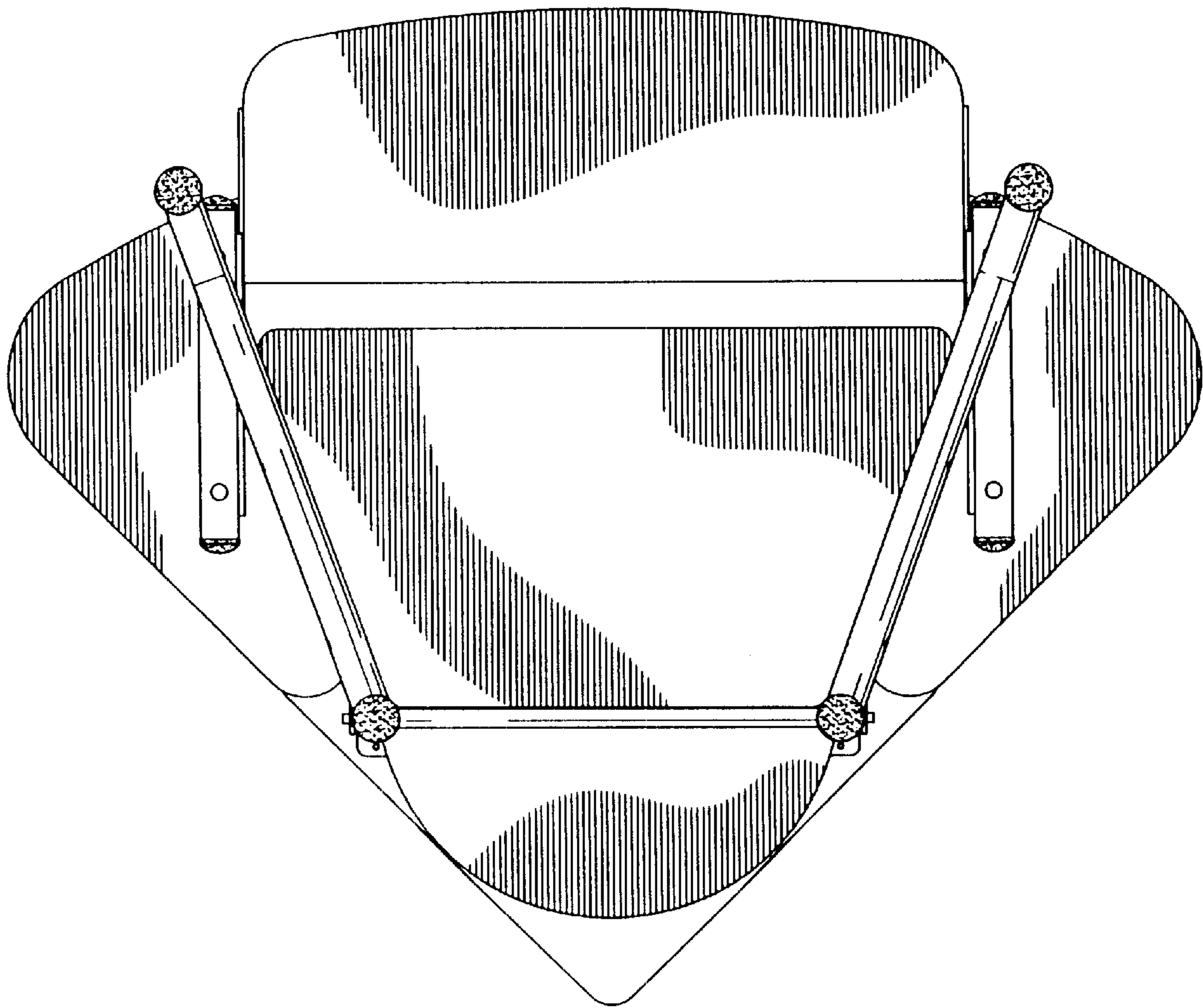


FIG.7

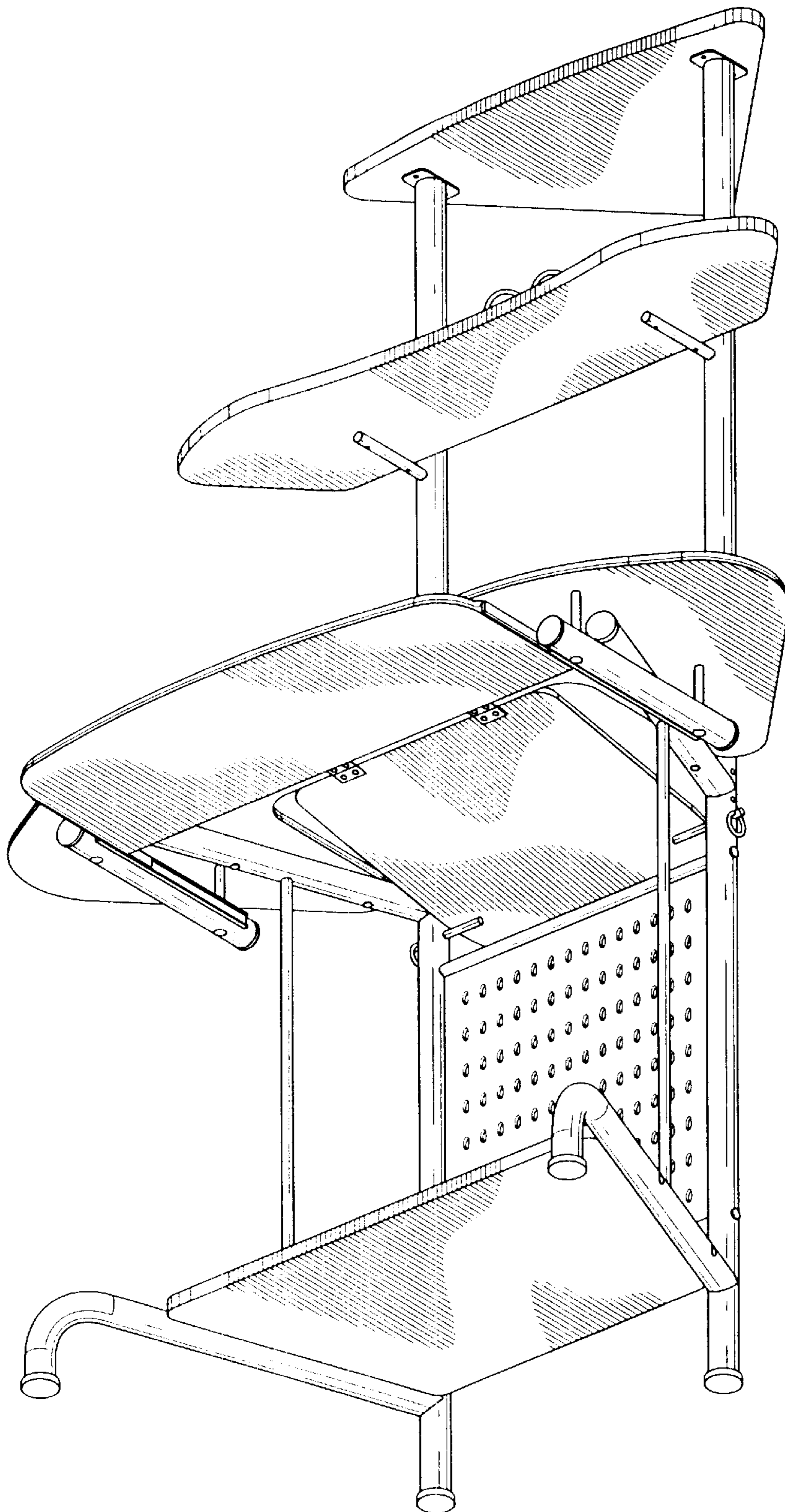


FIG.8