



US00D474914S

(12) **United States Design Patent** (10) **Patent No.:** **US D474,914 S**
Ricci (45) **Date of Patent:** **** May 27, 2003**

- (54) **SOFA**
- (75) **Inventor:** **Luca Ricci**, Forli (IT)
- (73) **Assignee:** **De Coro Ltd.**, Fanling (HK)
- (**) **Term:** **14 Years**
- (21) **Appl. No.:** **29/166,128**
- (22) **Filed:** **Aug. 22, 2002**
- (51) **LOC (7) Cl.** **06-01**
- (52) **U.S. Cl.** **D6/381**
- (58) **Field of Search** D6/334, 335, 336,
D6/364, 371, 381, 500, 501, 502; 5/12.1;
297/232

- (56) **References Cited**
- U.S. PATENT DOCUMENTS**
- D353,273 S * 12/1994 Natuzzi et al. D6/381
- D360,542 S 7/1995 Natuzzi et al.
- D362,353 S 9/1995 Natuzzi et al.
- D363,388 S 10/1995 Natuzzi et al.
- D369,480 S 5/1996 Natuzzi et al.
- D369,694 S * 5/1996 Natuzzi et al. D6/381
- D384,219 S * 9/1997 Natuzzi et al. D6/381
- D390,371 S * 2/1998 Gibson D6/381
- D438,028 S * 2/2001 Natuzzi et al. D6/381
- D466,325 S * 12/2002 Nicoletti D6/381

- OTHER PUBLICATIONS**
- De Coro Ltd. Sofa Model No. 2169, Oct., 2001, at the International Home Furnishings Market in High Point, N.C.
- De Coro Ltd. Sofa Model No. 2158, Oct., 2001, at the International Home Furnishings Market in High Point, N.C.
- De Coro Ltd. Sofa Model No. 2096, Apr., 2000, at the International Home Furnishings Market in High Point, N.C.
- De Coro Ltd. Sofa Model No. 2088, Apr., 2000, at the International Home Furnishings Market in High Point, N.C.
- De Coro Ltd. Sofa Model No. 2072, Apr., 2000, at the International Home Furnishings Market in High Point, N.C.
- De Coro Ltd. Sofa Model No. 2058, Apr., 2000, at the International Home Furnishings Market in High Point, N.C.
- De Coro Ltd. Sofa Model No. 2053, Apr., 2000, at the International Home Furnishings Market in High Point, N.C.

De Coro Ltd. Sofa Model No. 226, Apr., 1999, at the International Home Furnishings Market in High Point, N.C.
 De Coro Ltd. Sofa Model No. 149, Apr., 1998, at the International Home Furnishings Market in High Point, N.C.
 De Coro Ltd. Sofa Model No. 132, Apr., 1998, at the International Home Furnishings Market in High Point, N.C.
 De Coro Ltd. Sofa Model No. 107, Apr., 1998, at the International Home Furnishings Market in High Point, N.C.
 De Coro Ltd. Sofa Model No. 102, Apr., 1998, at the International Home Furnishings Market in High Point, N.C.

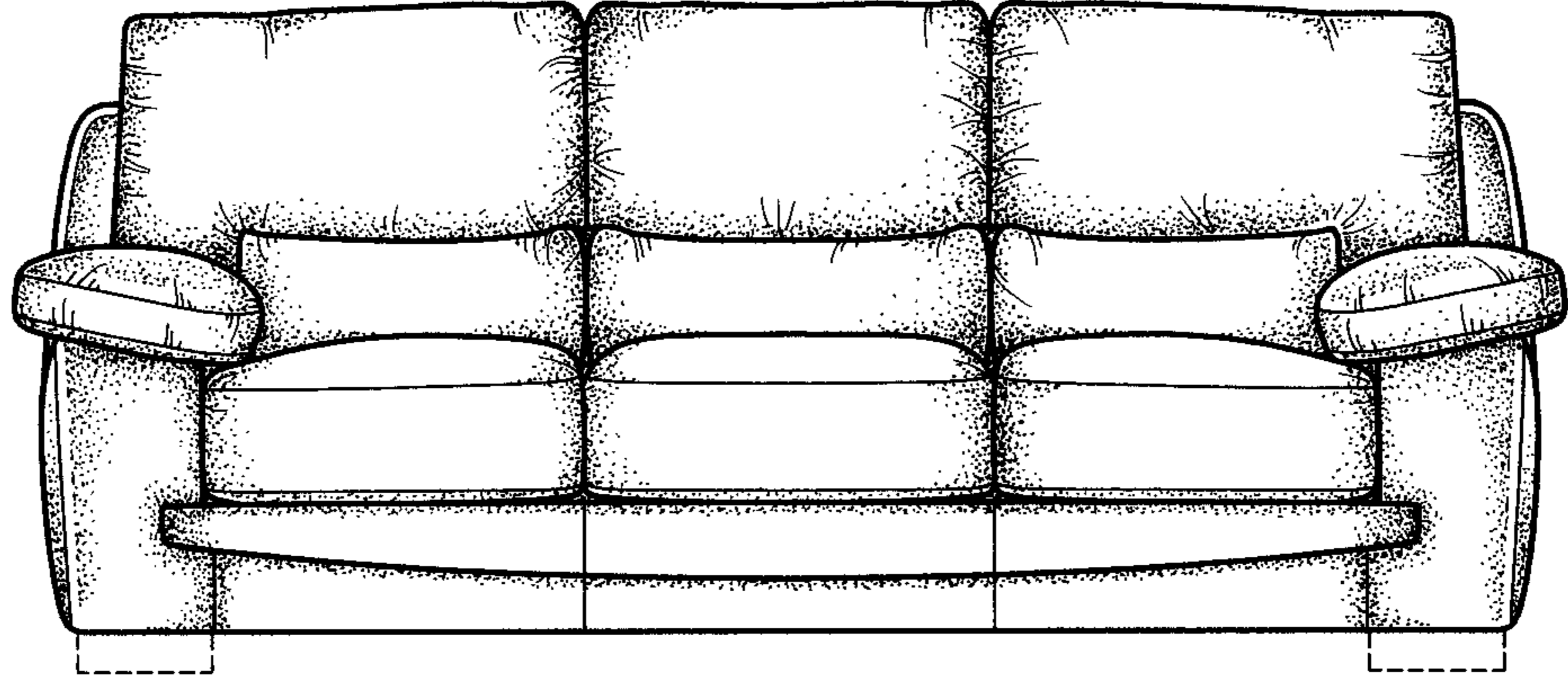
* cited by examiner
Primary Examiner—Gary D. Watson
 (74) *Attorney, Agent, or Firm*—Luce, Forward, Hamilton & Scripps LLP

(57) **CLAIM**
 The ornamental design for a sofa, as shown and described.

DESCRIPTION

FIG. 1 is a left, front perspective view of a sofa showing my new design;
 FIG. 2 is a right, rear perspective view of the embodiment of FIG. 1;
 FIG. 3 is a left, partial front perspective view of the embodiment of FIG. 1;
 FIG. 4 is a front elevation view of the embodiment of FIG. 1;
 FIG. 5 is a left, side elevation view of the embodiment of FIG. 1, with the right side elevational view being a mirror image thereof;
 FIG. 6 is a rear elevation view of the embodiment of FIG. 1;
 FIG. 7 is a front elevation view of a second embodiment of the sofa depicted in FIG. 1;
 FIG. 8 is a left, side elevation view of the embodiment of FIG. 7, with the right side elevational view being a mirror image thereof; and,
 FIG. 9 is a rear elevation view of the embodiment of FIG. 7.
 The broken line disclosure is for illustrative purposes only and forms no part of the claimed design.

1 Claim, 4 Drawing Sheets



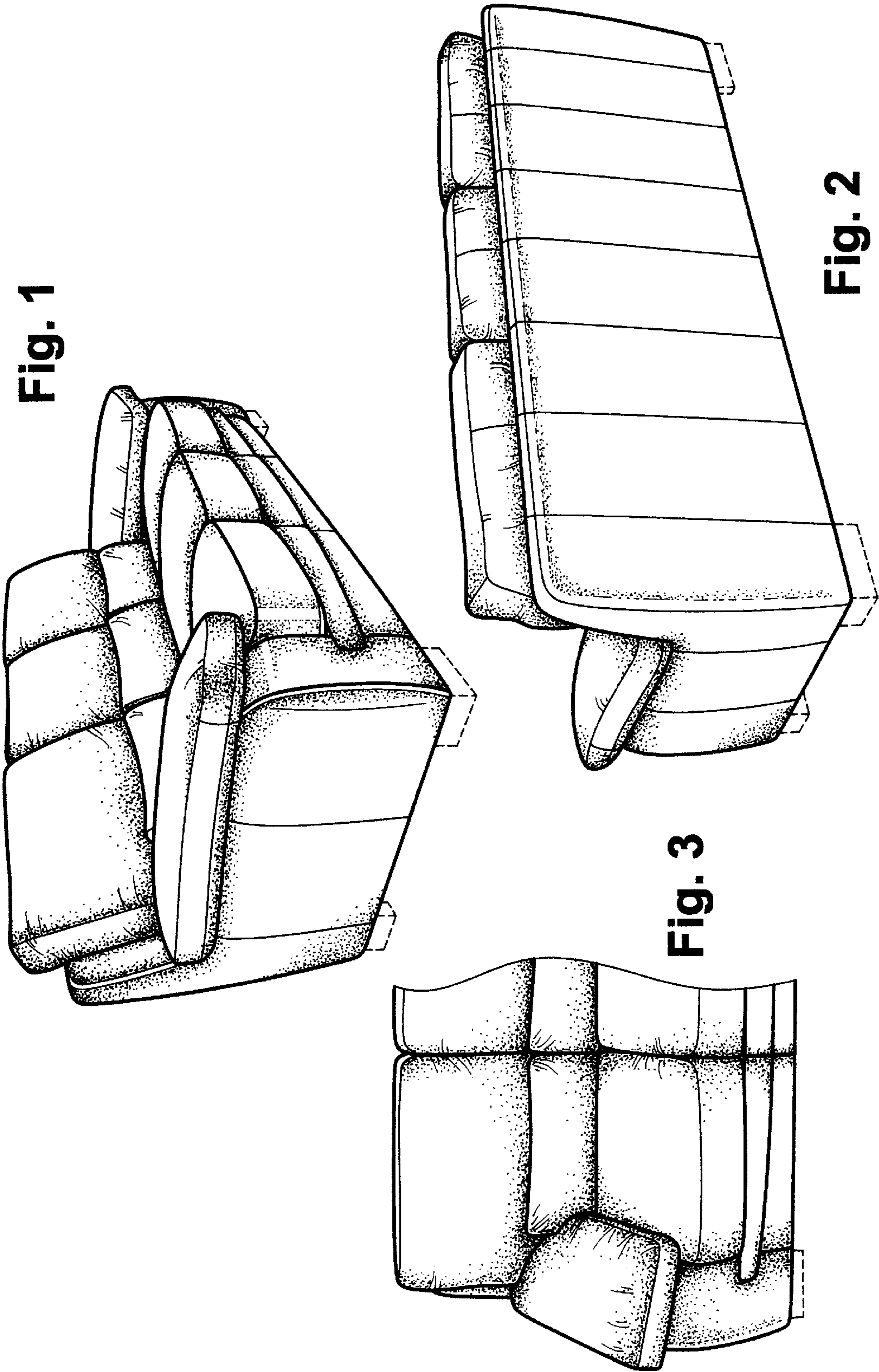


Fig. 1

Fig. 2

Fig. 3

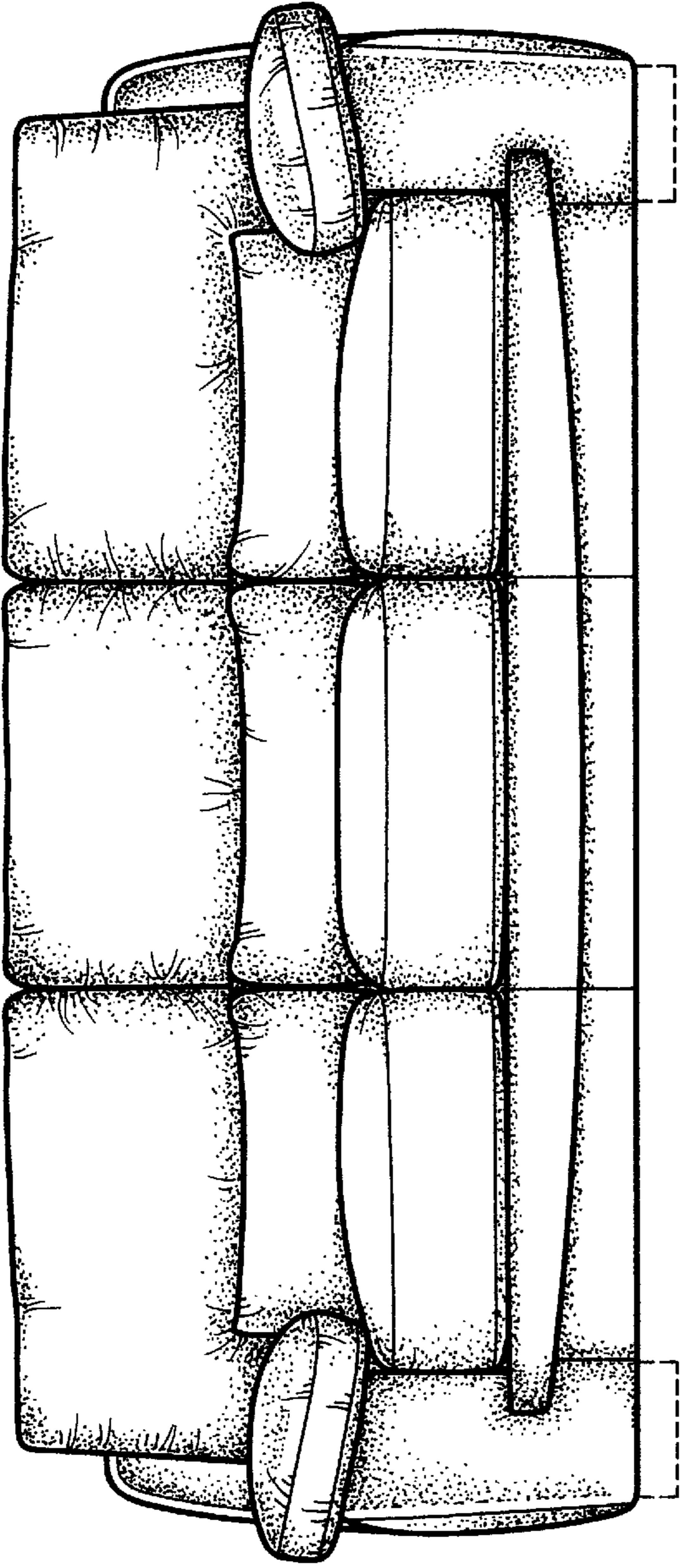


Fig. 4

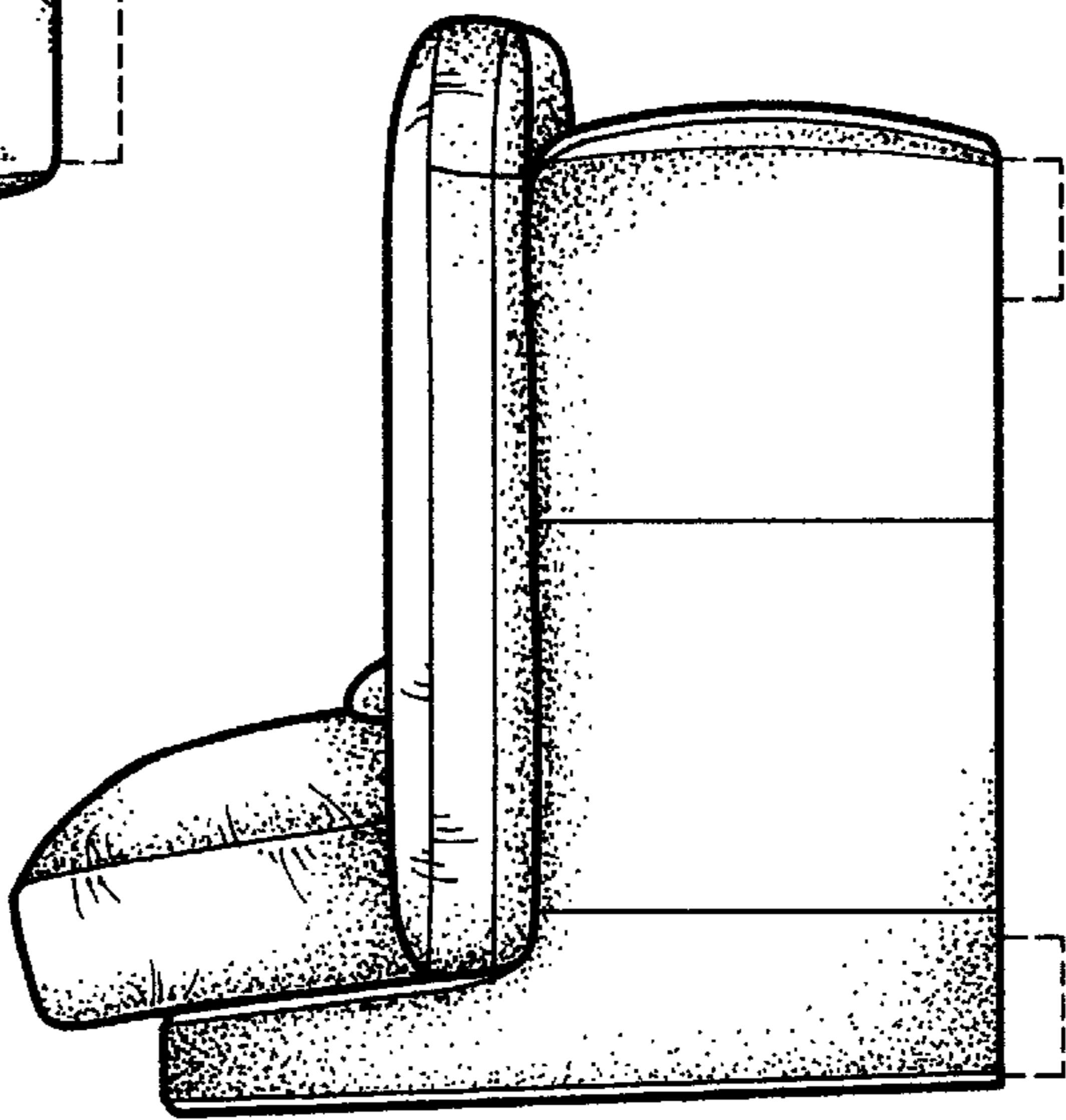


Fig. 5

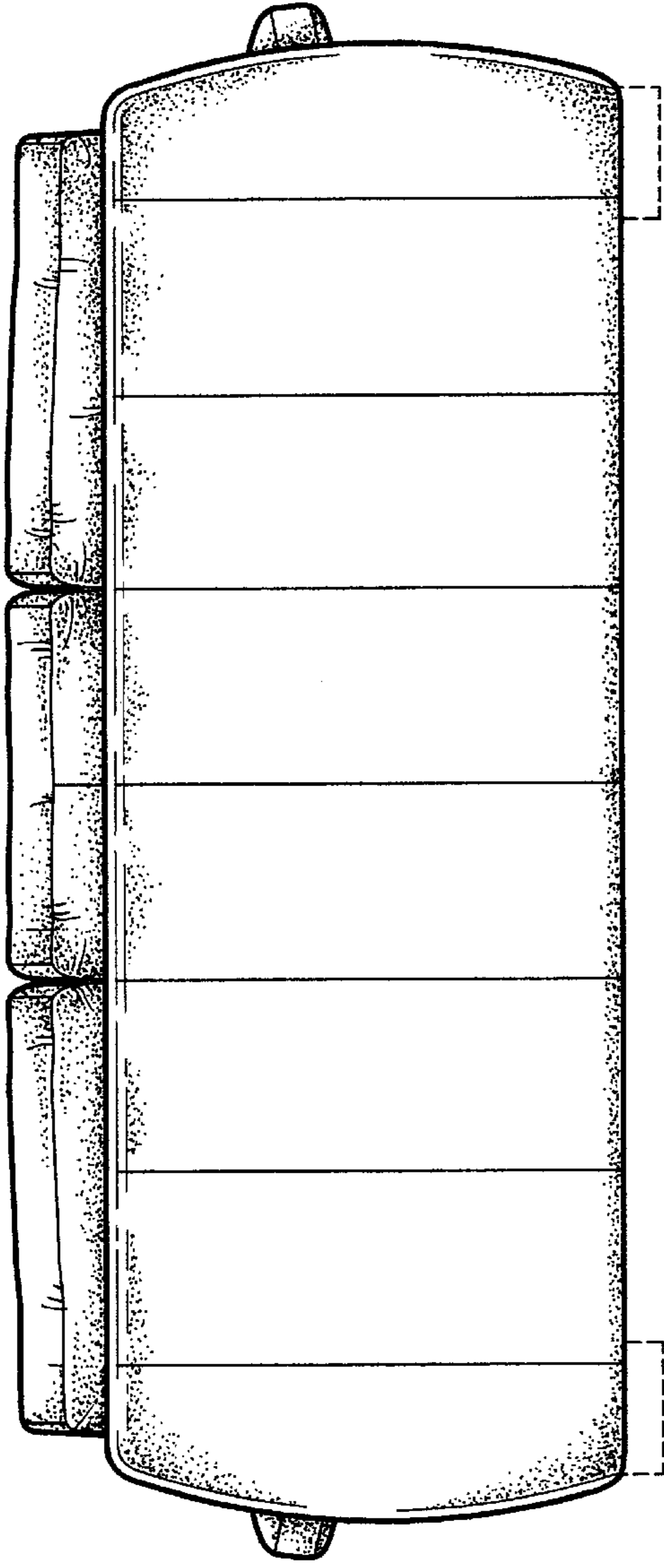


Fig. 6

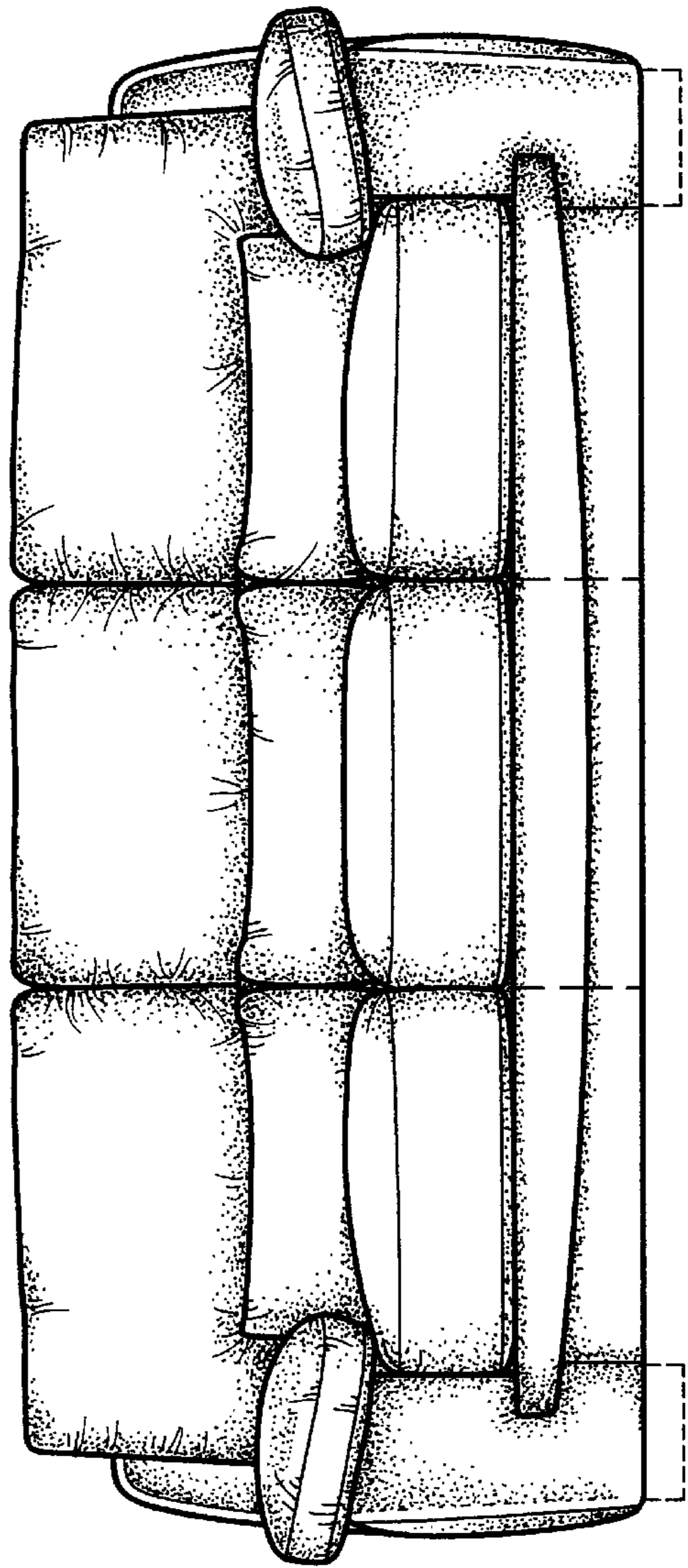


Fig. 7

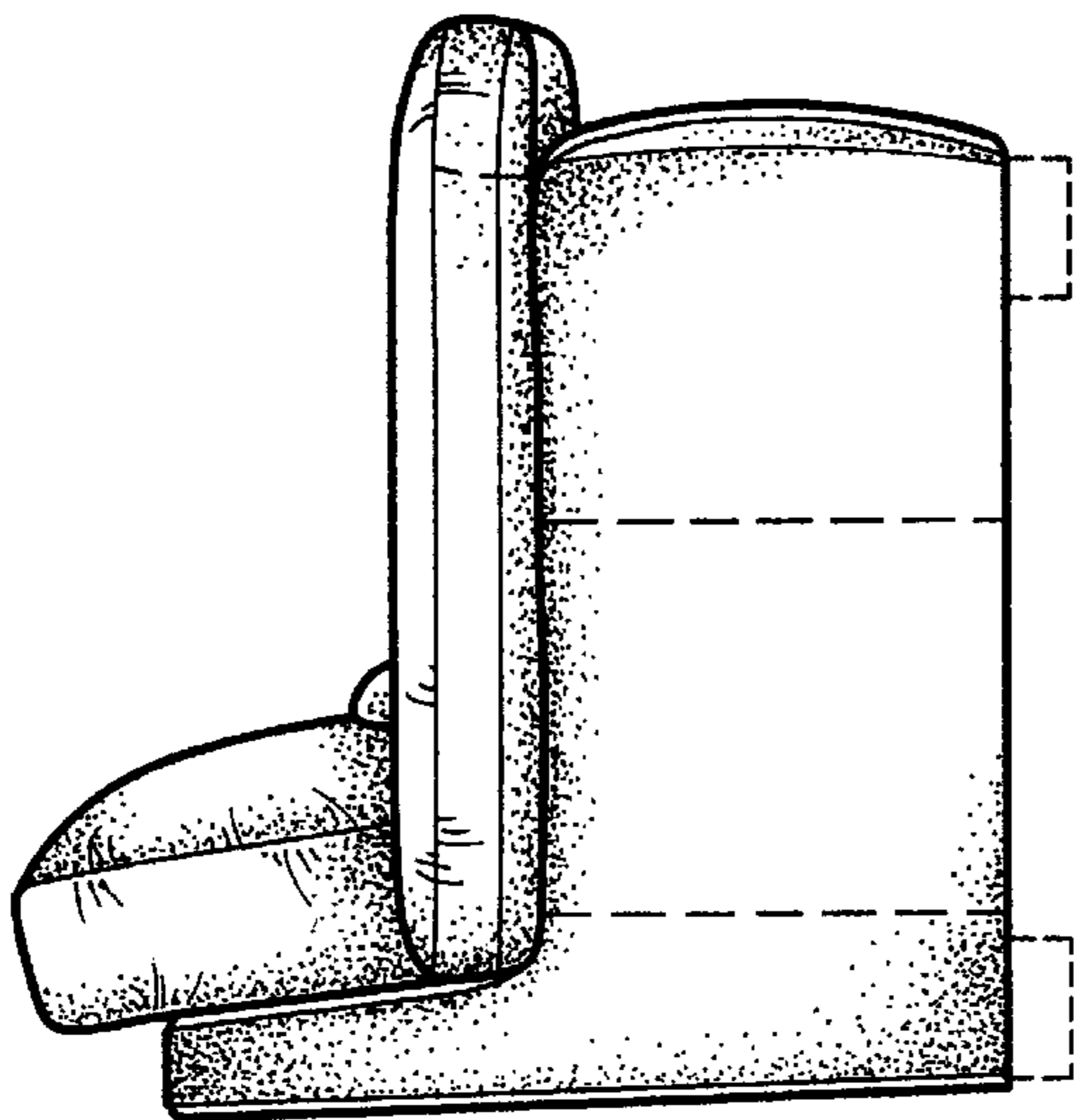


Fig. 8

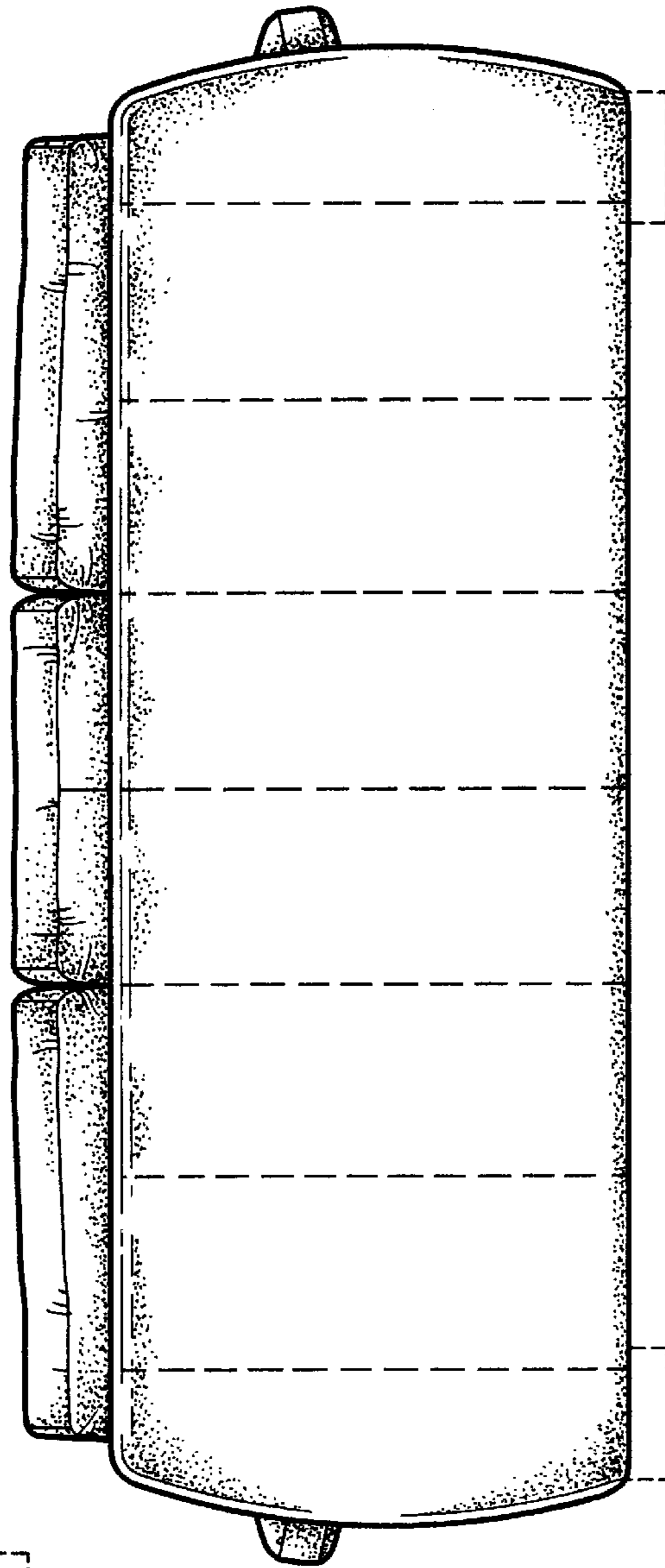


Fig. 9