



US00D474908S

(12) **United States Design Patent**
Ricci

(10) **Patent No.:** **US D474,908 S**

(45) **Date of Patent:** **** May 27, 2003**

- (54) **SOFA**
- (75) Inventor: **Luca Ricci**, Forli (IT)
- (73) Assignee: **De Coro Ltd.**, Fanling (HK)
- (**) Term: **14 Years**
- (21) Appl. No.: **29/165,772**
- (22) Filed: **Aug. 16, 2002**
- (51) **LOC (7) Cl.** **06-01**
- (52) **U.S. Cl.** **D6/381**
- (58) **Field of Search** D6/334, 335, 336,
D6/364, 371, 381, 500, 501, 502; 5/12.1;
297/232

(56) **References Cited**

U.S. PATENT DOCUMENTS

D366,320 S	*	1/1996	Natuzzi et al.	D6/381
D369,480 S		5/1996	Natuzzi et al.		
D372,369 S	*	8/1996	Natuzzi et al.	D6/381
D383,326 S	*	9/1997	Hopfer	D6/381
D393,758 S	*	4/1998	Natuzzi et al.	D6/381
D400,368 S		11/1998	Natuzzi et al.		
D407,572 S		4/1999	Natuzzi et al.		

OTHER PUBLICATIONS

Natuzzi Model 1303, International Home Furnishings Market, High Point, NC, Apr. 1995.*
 De Coro Ltd. Sofa Model No. 2117, Oct., 2001, at the International Home Furnishing Market in High Point, N.C.
 De Coro Ltd. Sofa Model No. 2009, Apr., 2000, at the International Home Furnishing Market in High Point, N.C.
 De Coro Ltd. Sofa Model No. 2005, Apr., 2000, at the International Home Furnishing Market in High Point, N.C.
 De Coro Ltd. Sofa Model No. 2004, Apr., 2000, at the International Home Furnishing Market in High Point, N.C.

De Coro Ltd. Sofa Model No. 154, Apr., 1998, at the International Home Furnishing Market in High Point, N.C.
 De Coro Ltd. Sofa Model No. 133, Apr., 1998, at the International Home Furnishing Market in High Point, N.C.

* cited by examiner

Primary Examiner—Gary D. Watson

(74) *Attorney, Agent, or Firm*—Luce, Forward, Hamilton & Scripps LLP

(57) **CLAIM**

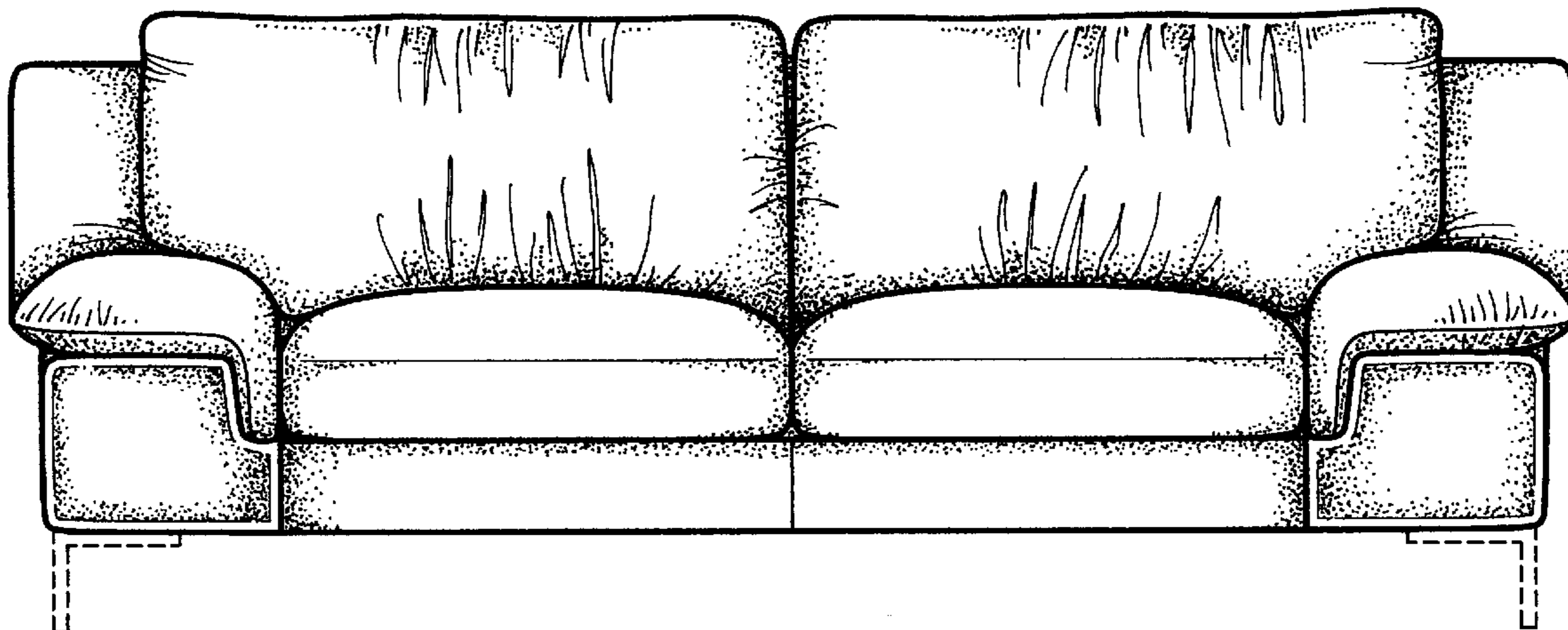
The ornamental design for a sofa, as shown and described.

DESCRIPTION

FIG. 1 is a front, right perspective view of a sofa showing my new design;
 FIG. 2 is a left, partial front perspective view of the embodiment of FIG. 1;
 FIG. 3 is a left, rear perspective view of the embodiment of FIG. 1;
 FIG. 4 is a front elevation view of the embodiment of FIG. 1;
 FIG. 5 is a left, side elevation view of the embodiment of FIG. 1, with the right side elevational view being a mirror image thereof;
 FIG. 6 is a rear elevation view of the embodiment of FIG. 1;
 FIG. 7 is a front elevation view of a second embodiment of the sofa depicted in FIG. 1;
 FIG. 8 is a left, side elevation view of the embodiment of FIG. 7, with the right side elevational view being a mirror image thereof; and,
 FIG. 9 is a rear elevation view of the embodiment of FIG. 7.

The broken line disclosure is for illustrative purposes only and forms no part of the claimed design.

1 Claim, 4 Drawing Sheets



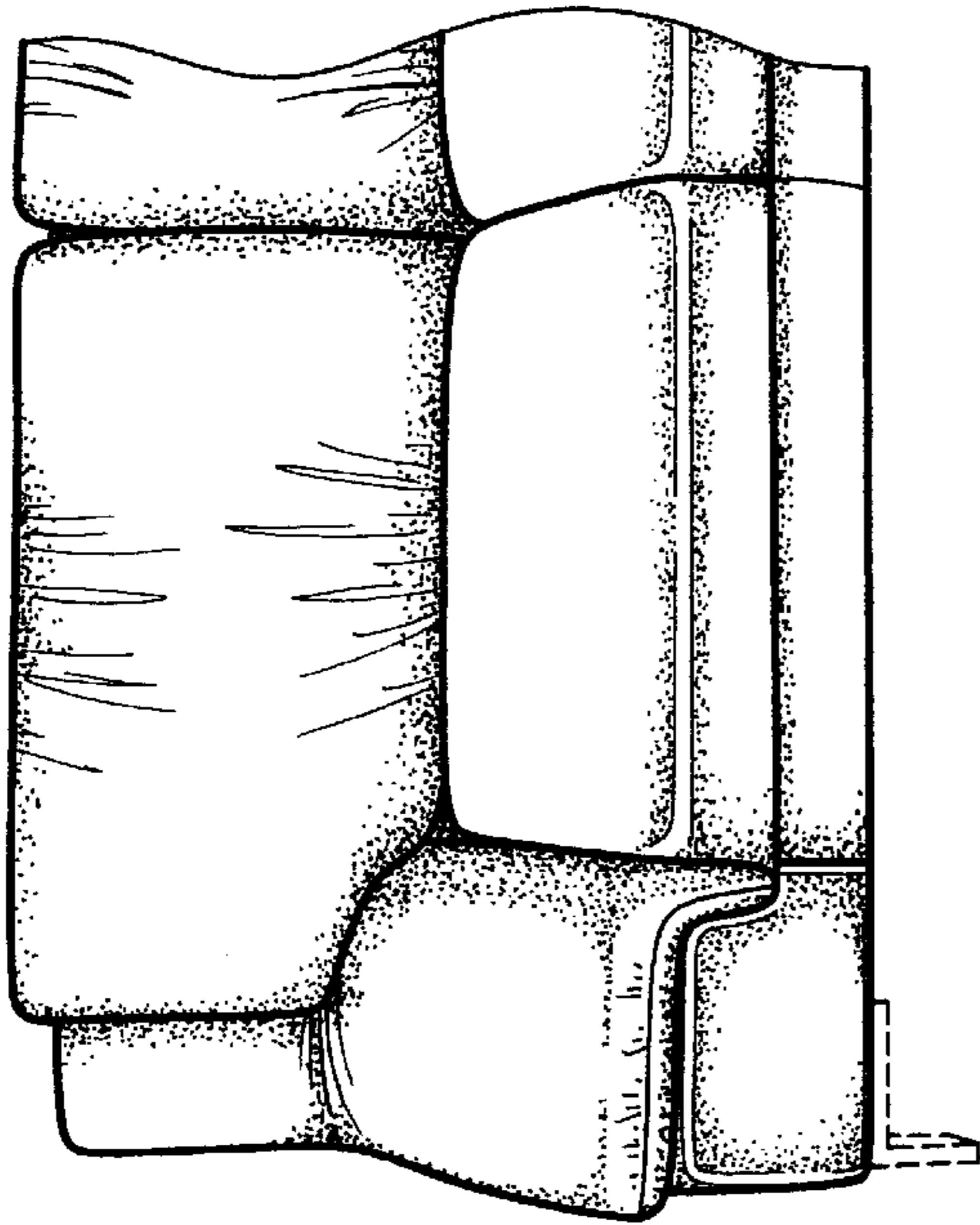


Fig. 2

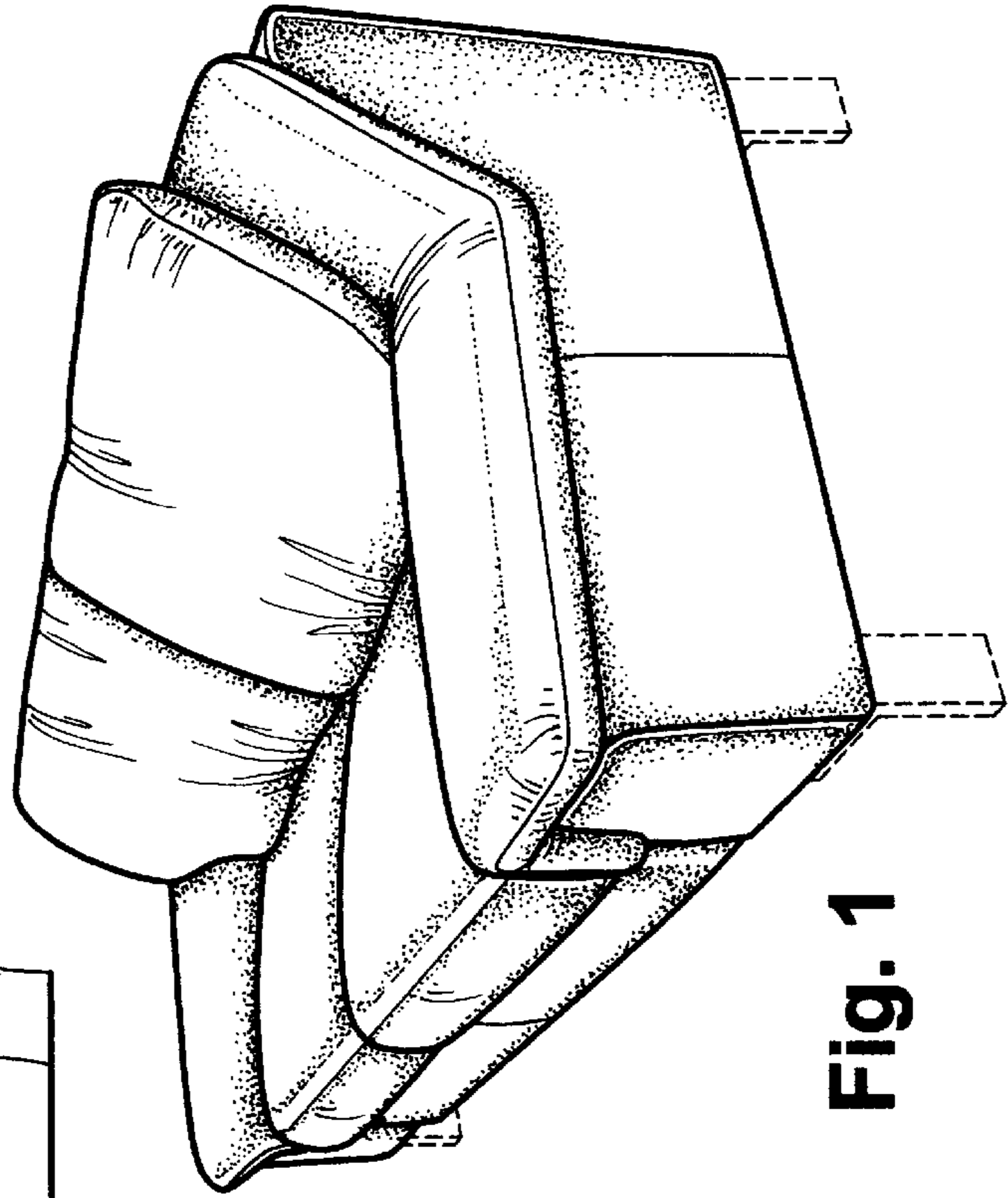


Fig. 1

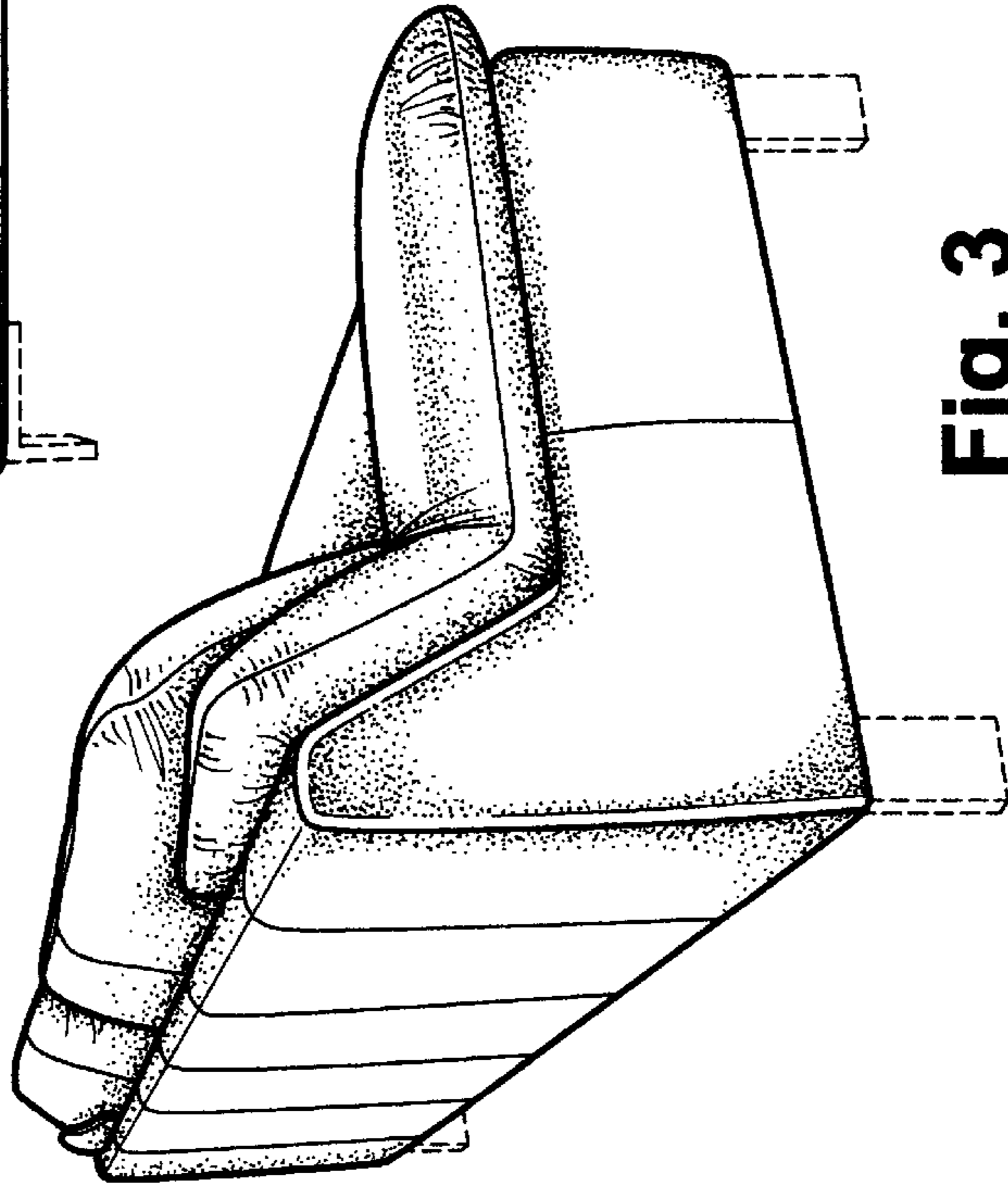


Fig. 3

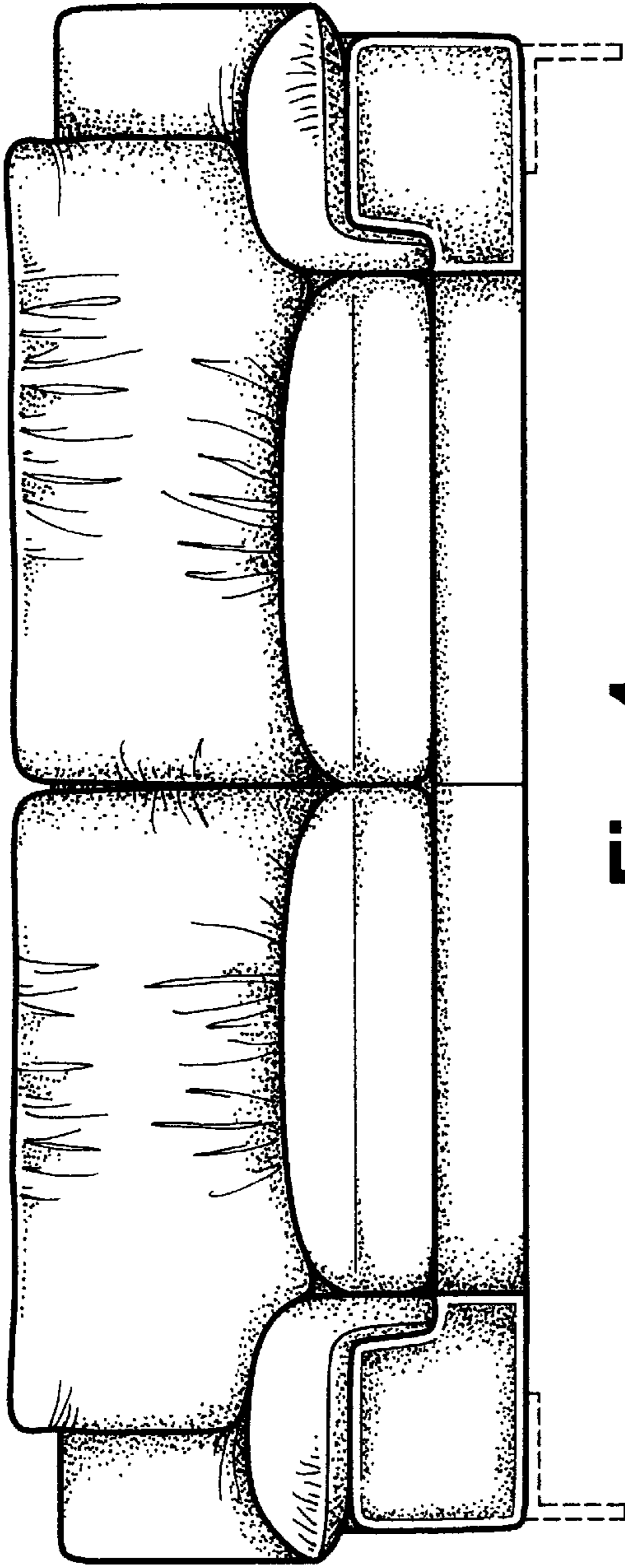


Fig. 4

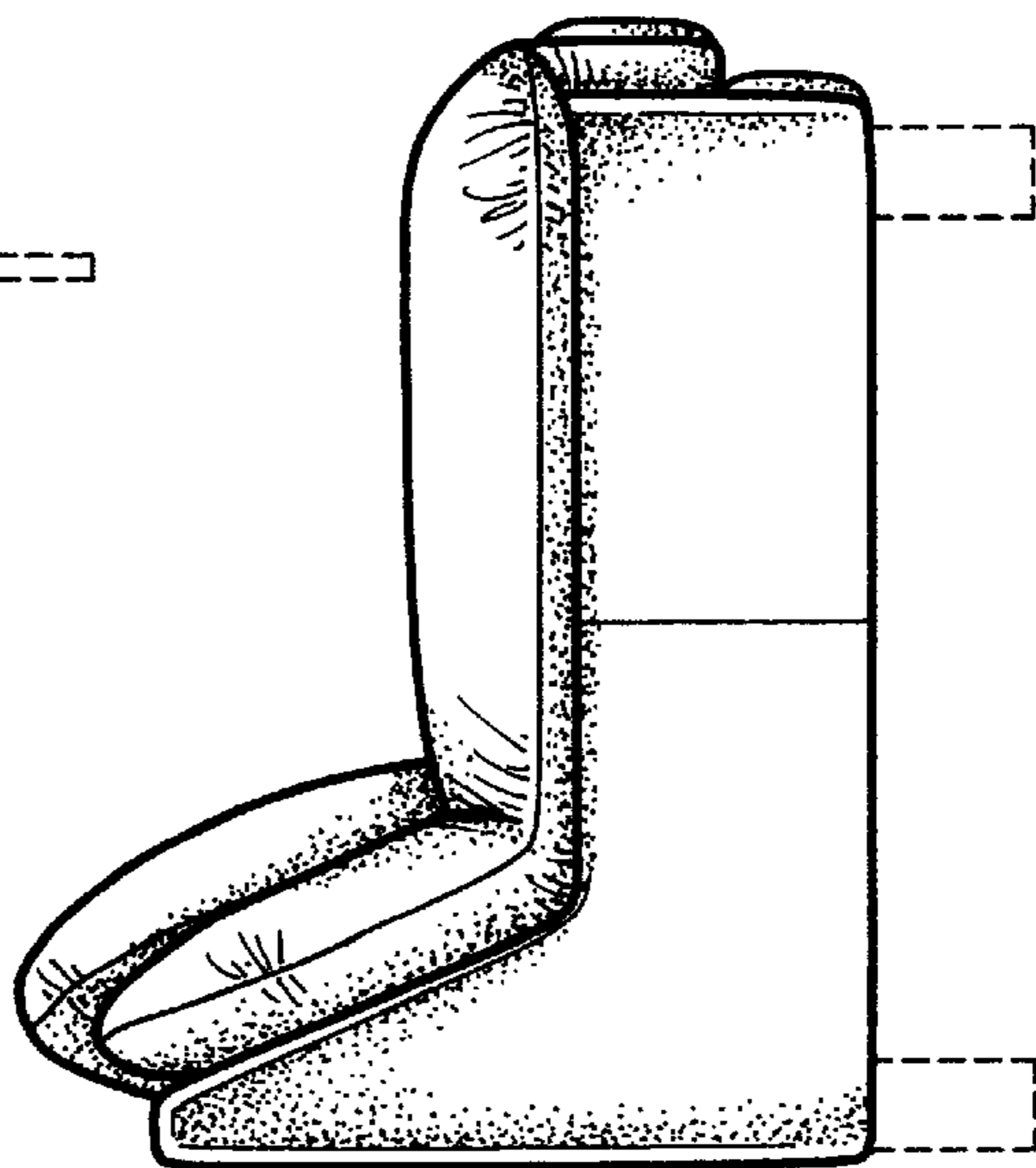


Fig. 5

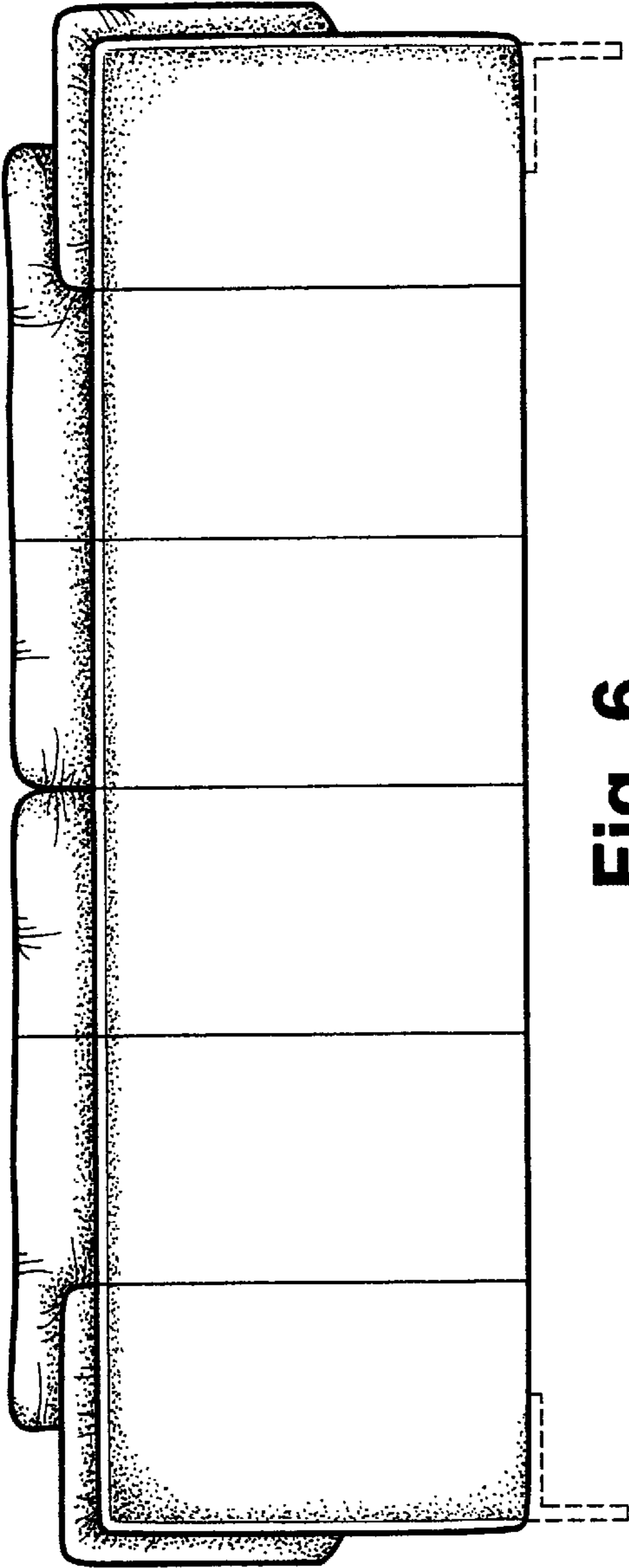


Fig. 6

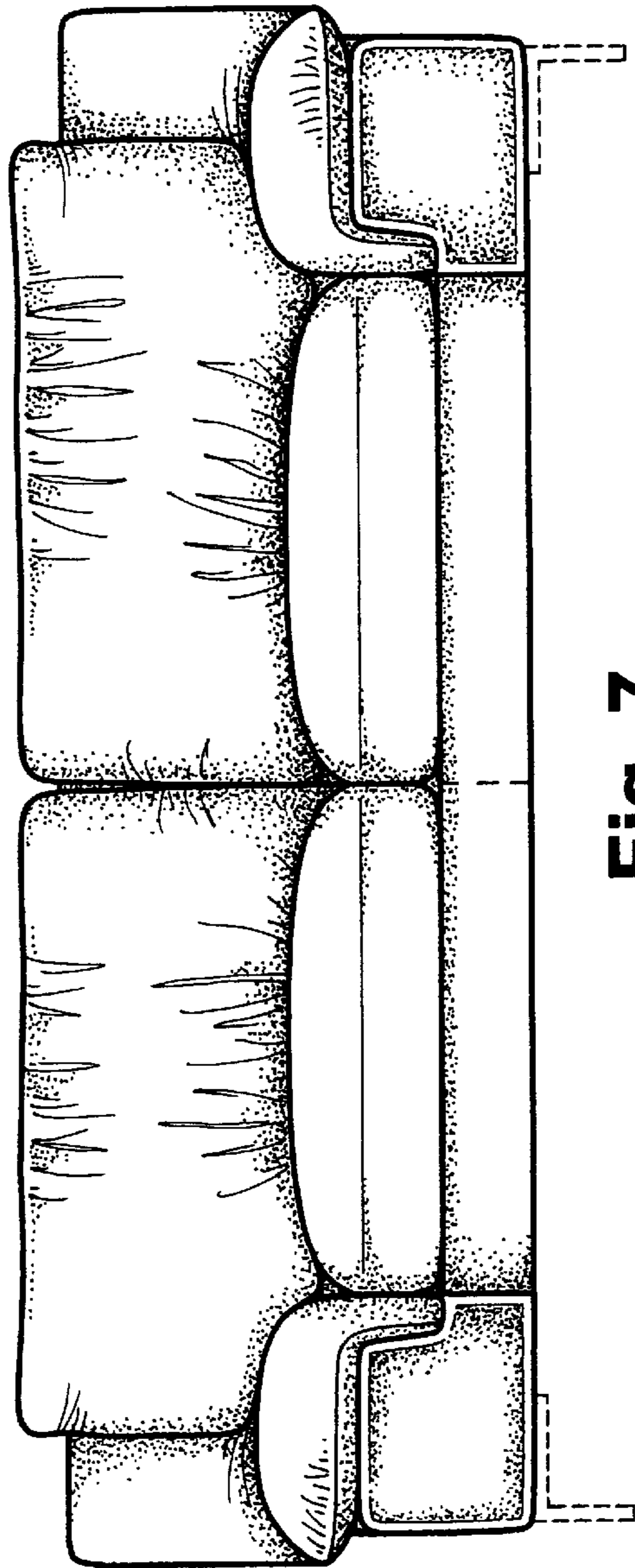


Fig. 7

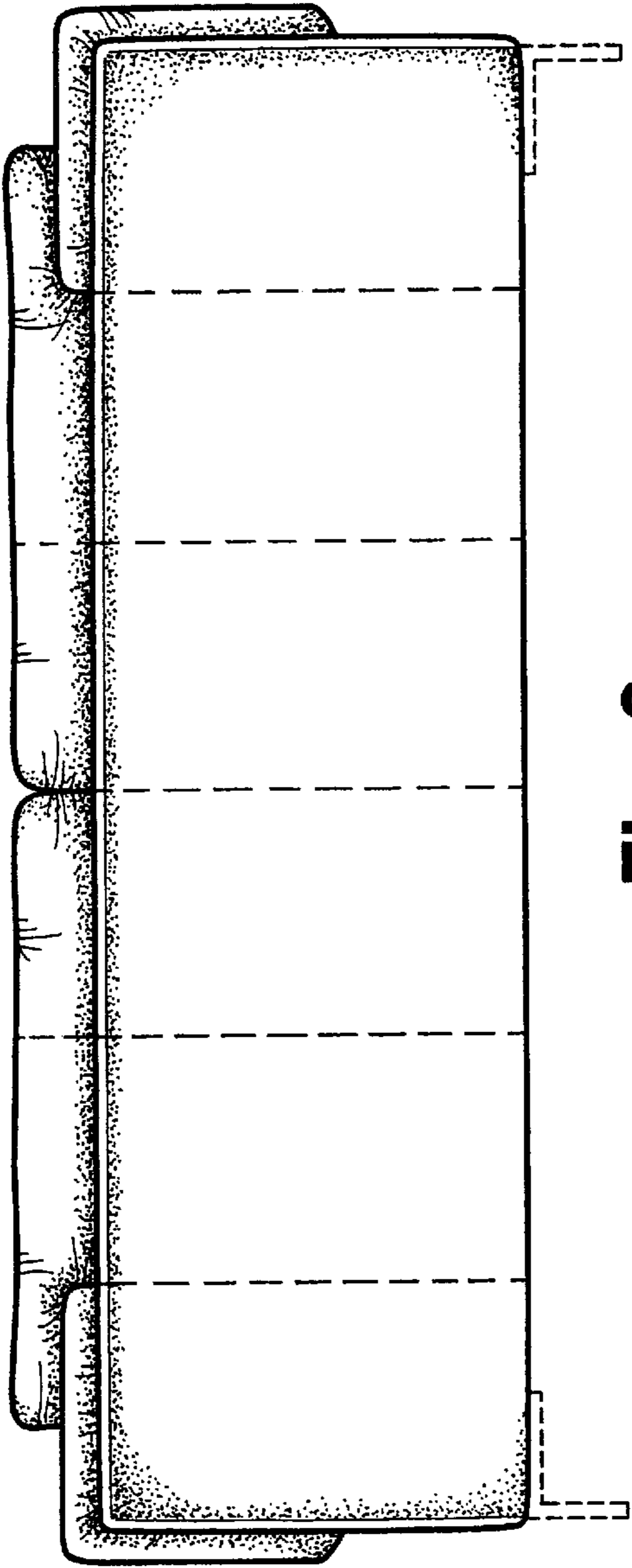


Fig. 9

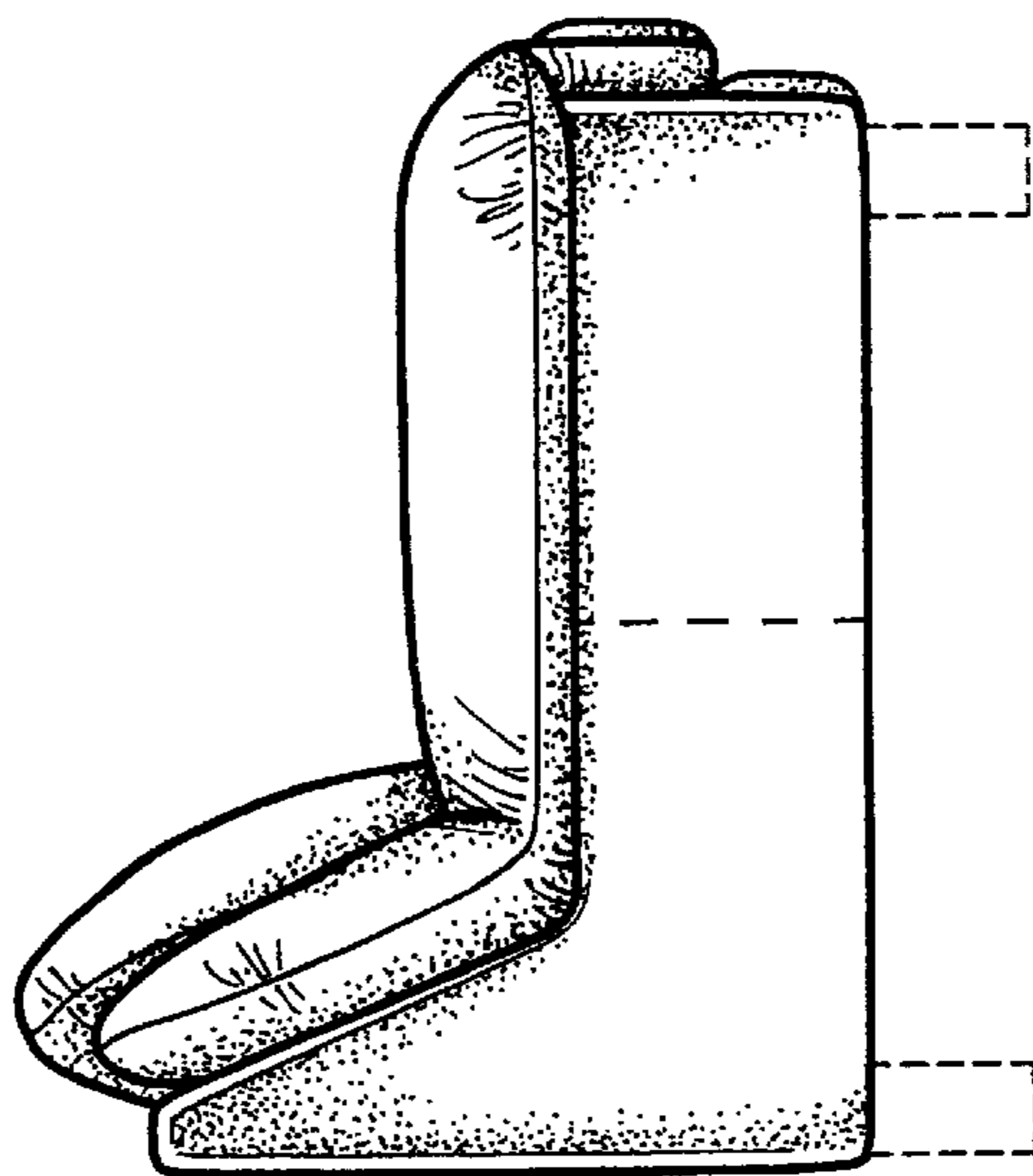


Fig. 8