



US00D474900S

(12) **United States Design Patent**  
**Underbrink**

(10) **Patent No.:** **US D474,900 S**

(45) **Date of Patent:** **\*\* May 27, 2003**

(54) **CONVERTIBLE TABLE AND EASEL**

(75) Inventor: **John Underbrink**, Richardson, TX (US)

(73) Assignee: **Spang & Company**, Pittsburgh, PA (US)

(\*\*) Term: **14 Years**

(21) Appl. No.: **29/168,310**

(22) Filed: **Sep. 30, 2002**

(51) **LOC (7) Cl.** ..... **06-07**

(52) **U.S. Cl.** ..... **D6/310; D6/337**

(58) **Field of Search** ..... D6/300-302, 308-314, D6/336, 337; 700/700, 711, 721, 722, 725, 732, 734; 248/441.1, 448, 454, 455, 460, 463, 464; 297/118, 119, 129, 157.1, 158.3, 158.4, 159.1

(56) **References Cited**

**U.S. PATENT DOCUMENTS**

1,170,326	A	2/1916	Posivak
1,348,262	A	8/1920	Brockway
1,792,698	A	2/1931	Morgan
2,319,499	A	5/1943	Geissler
2,683,639	A	7/1954	Brenny
2,800,952	A	7/1957	McPhilomy
3,095,834	A	7/1963	Killen
3,267,886	A	8/1966	Glass
4,060,275	A	11/1977	Hansen
4,117,781	A	10/1978	Middleton et al.
4,133,272	A	1/1979	Naglowksy
4,244,632	A	1/1981	Molinari

(List continued on next page.)

**FOREIGN PATENT DOCUMENTS**

GB 2194732 A 3/1988

*Primary Examiner*—Janice E. Seeger

(74) *Attorney, Agent, or Firm*—Kirkpatrick & Lockhart LLP

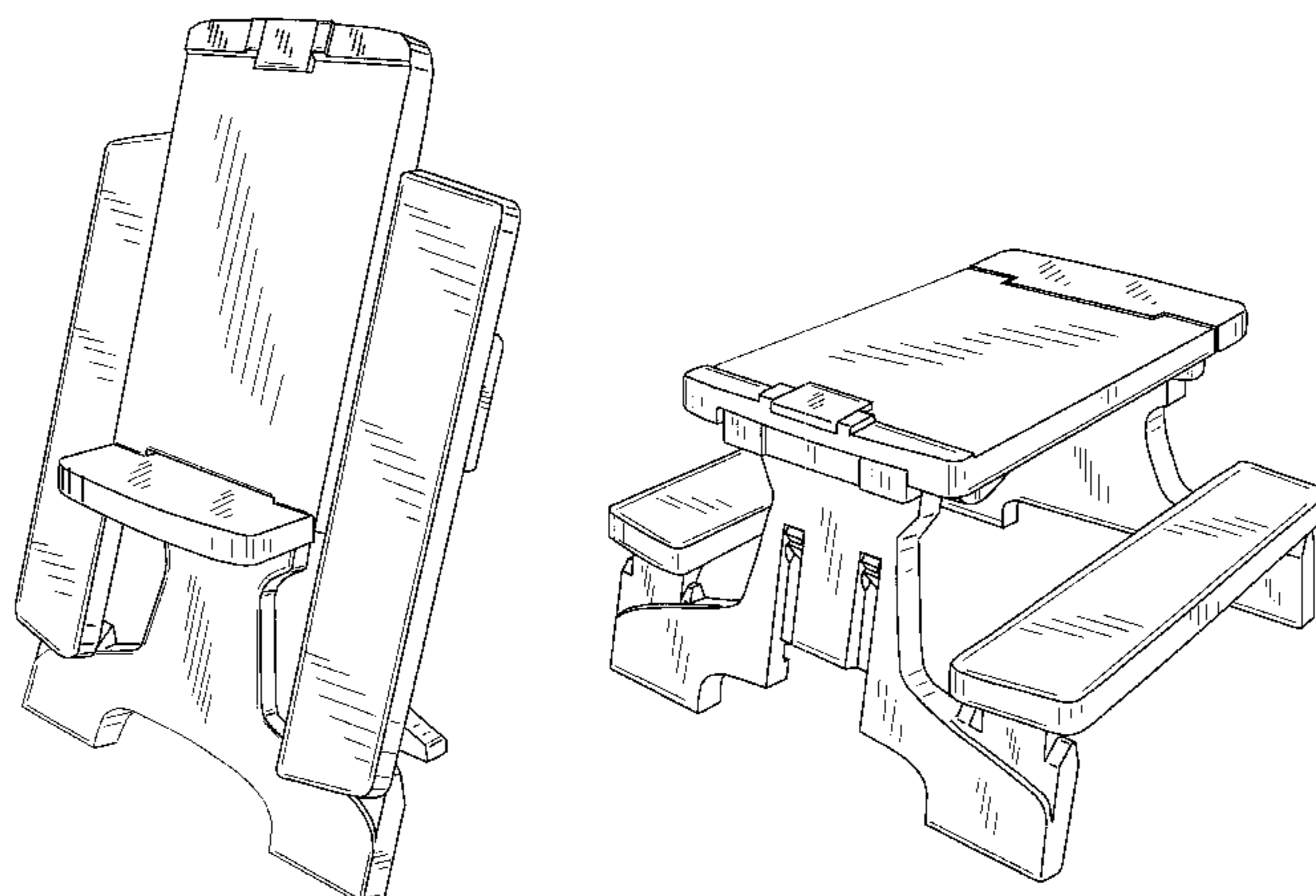
(57) **CLAIM**

The ornamental design for a convertible table and easel, as shown and described.

**DESCRIPTION**

FIG. 1 is a front view of an embodiment of a convertible table and easel showing my new design in a storage position; FIG. 2 is a rear view of the design of FIG. 1 shown in the storage position; FIG. 3 is a front and right side perspective view of the design of FIGS. 1 and 2 shown in an easel position; FIG. 4 is a rear and left side perspective view of the of the design of FIGS. 1-3 shown in the easel position; FIG. 5 is a left side view of the design of FIGS. 1-4 shown in the easel position; FIG. 6 is a right side view of the design of FIGS. 1-5 shown in the easel position; FIG. 7 is a top view of the design of FIGS. 1-6 shown in the easel position; FIG. 8 is a bottom view of the design of FIGS. 1-7 shown in the easel position; FIG. 9 is a front view of the design of FIGS. 1-8 shown in the easel position; FIG. 10 is a rear view of the design of FIGS. 1-9 shown in the easel position; FIG. 11 is a front and left side perspective view of the design of FIGS. 1-10 shown in the table position; FIG. 12 is a front and right side perspective view of the design of FIGS. 1-11 shown in the table position; FIG. 13 is a left side view of the design of FIGS. 1-12 shown in the table position; FIG. 14 is a right side view of the design of FIGS. 1-13 shown in the table position; FIG. 15 is a bottom view of the design of FIGS. 1-14 shown in the table position; FIG. 16 is a top view of the design of FIGS. 1-15 shown in the table position; FIG. 17 is a front view of the design of FIGS. 1-16 shown in the table position; and, FIG. 18 is a rear view of the design of FIGS. 1-17 shown in the table position.

**1 Claim, 14 Drawing Sheets**



# US D474,900 S

Page 2

## U.S. PATENT DOCUMENTS

4,262,606 A	4/1981	Hodson	D343,417 S	1/1994	Tarozzi
4,297,953 A	11/1981	Shy	D346,287 S	4/1994	Rosen
4,404,914 A	9/1983	Taylor	5,330,248 A	7/1994	Smyly et al.
4,427,391 A	1/1984	Berman	D350,239 S	9/1994	Swanger
D273,828 S	5/1984	Oshry	5,348,263 A	9/1994	Hubbard
4,482,185 A	11/1984	Zoellner	D352,398 S	* 11/1994	Rellinger et al. .... D6/300
4,572,574 A	2/1986	Fischhaber et al.	5,360,342 A	11/1994	Pardner
4,645,261 A	2/1987	Bourne et al.	D354,400 S	1/1995	Cacciola
4,735,466 A	4/1988	Wolters et al.	D355,682 S	2/1995	Bro et al.
4,735,469 A	4/1988	Liggett	5,393,030 A	2/1995	Tarozzi
4,766,422 A	8/1988	Wolters et al.	D358,434 S	5/1995	Brown et al.
4,791,873 A	12/1988	Towfigh	5,438,938 A	8/1995	Meeker et al.
4,856,856 A	8/1989	Winstone	D367,568 S	3/1996	Strayer
4,921,302 A	5/1990	Godwin	D368,165 S	3/1996	Foster
5,074,221 A	12/1991	Lochridge	D368,189 S	3/1996	Bro et al.
5,088,802 A	2/1992	House	D368,281 S	3/1996	Brown et al.
D330,573 S	10/1992	Monneret	5,501,423 A	3/1996	Roberts
5,167,394 A	12/1992	Hegarty	5,794,540 A	8/1998	Dombrowski et al.
5,193,772 A	* 3/1993	Johnston ..... 248/118.5	5,855,351 A	1/1999	Cziraky et al.
5,240,307 A	8/1993	Jones et al.	6,042,179 A	3/2000	Wallace, III
5,244,267 A	9/1993	Fossier, Jr. et al.	6,086,148 A	* 7/2000	Gatto et al. .... 297/159.1
5,244,271 A	9/1993	Hackwood et al.			

\* cited by examiner

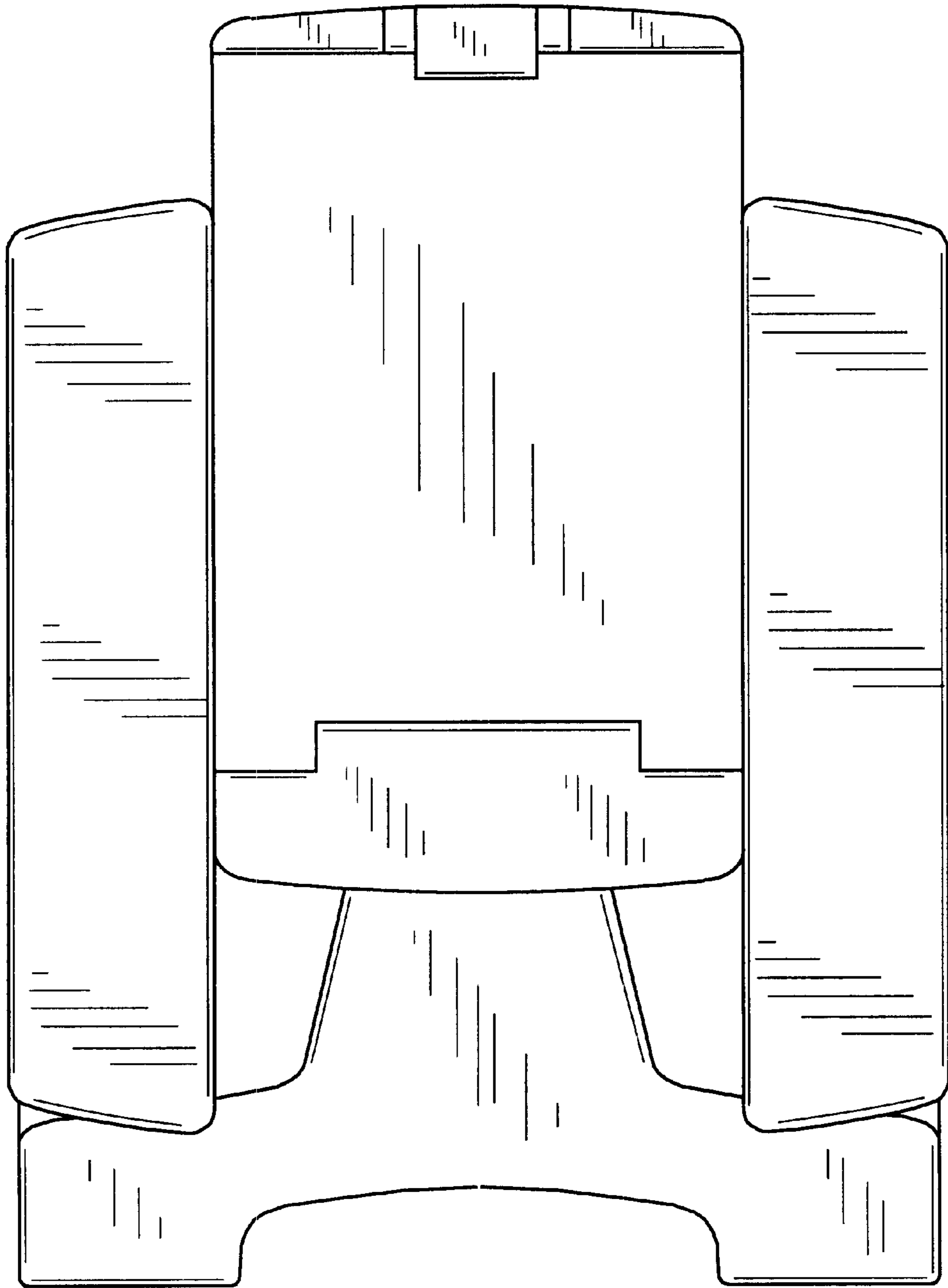


FIG. 1

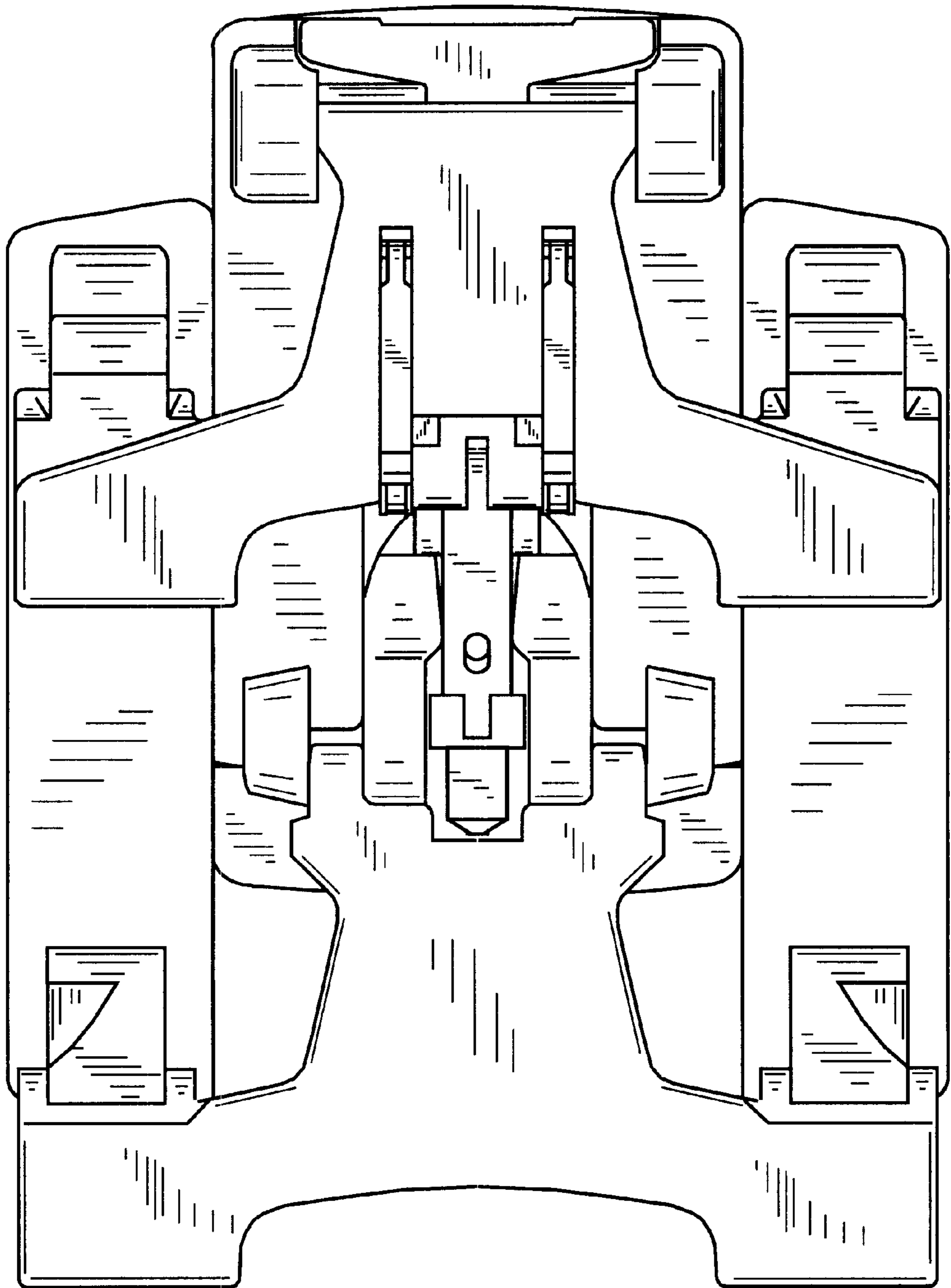


FIG. 2

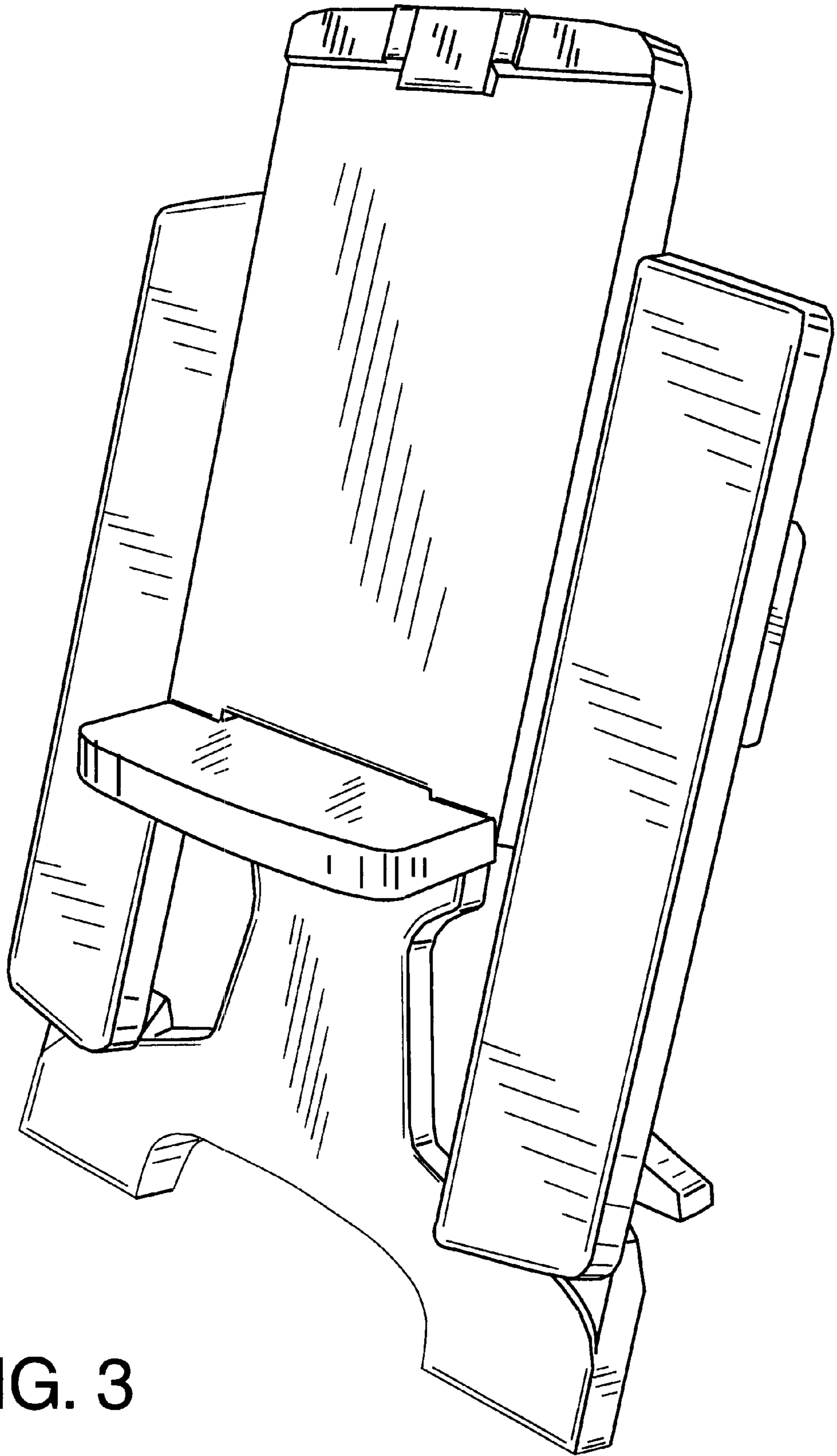


FIG. 3

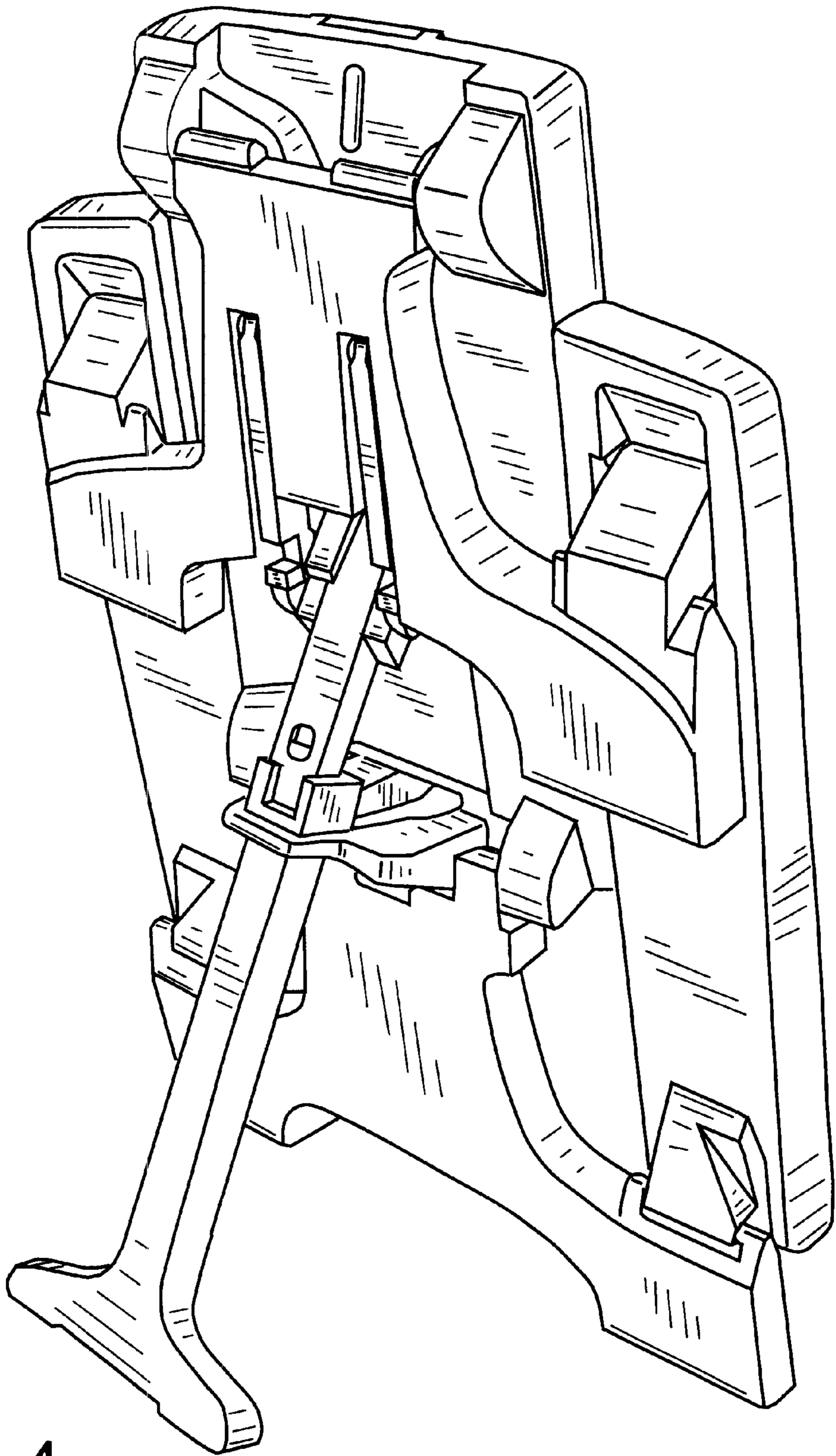


FIG. 4

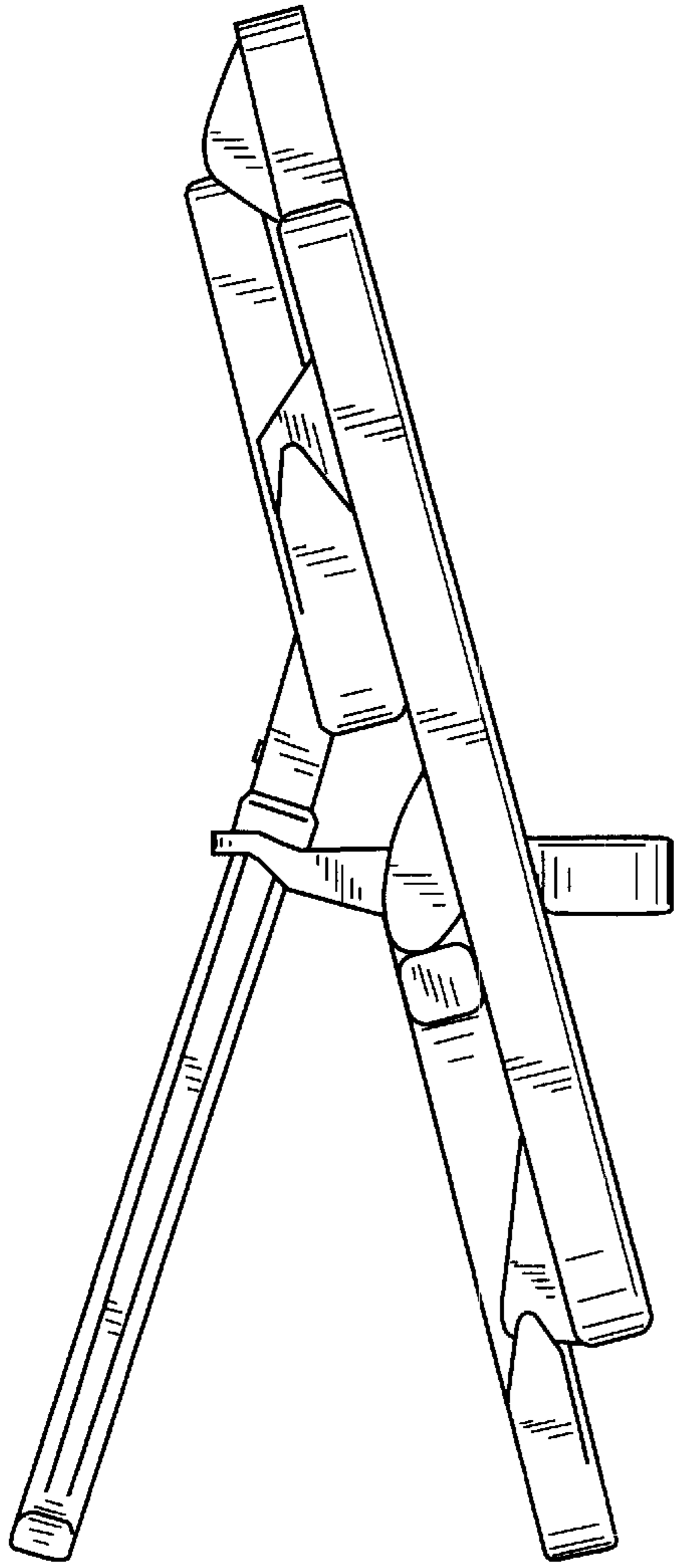


FIG. 5

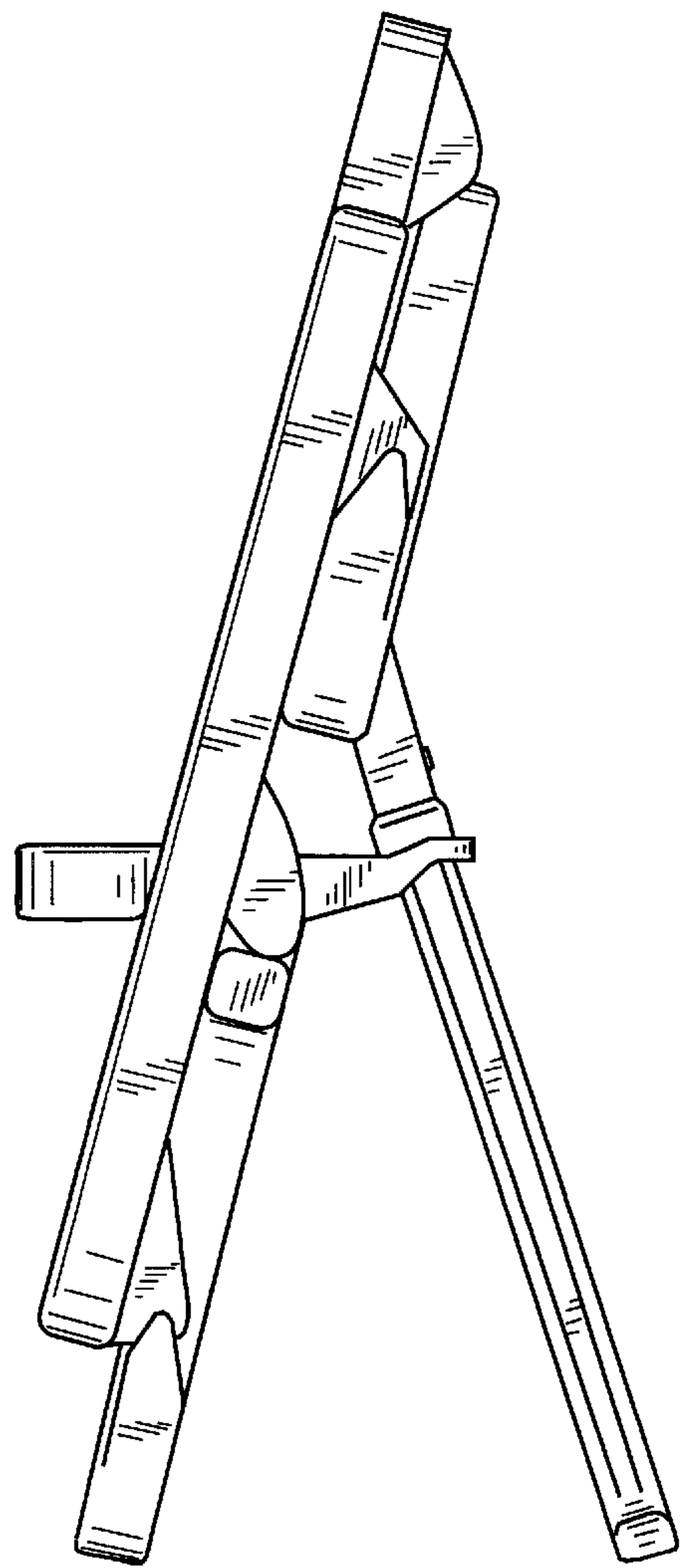


FIG. 6

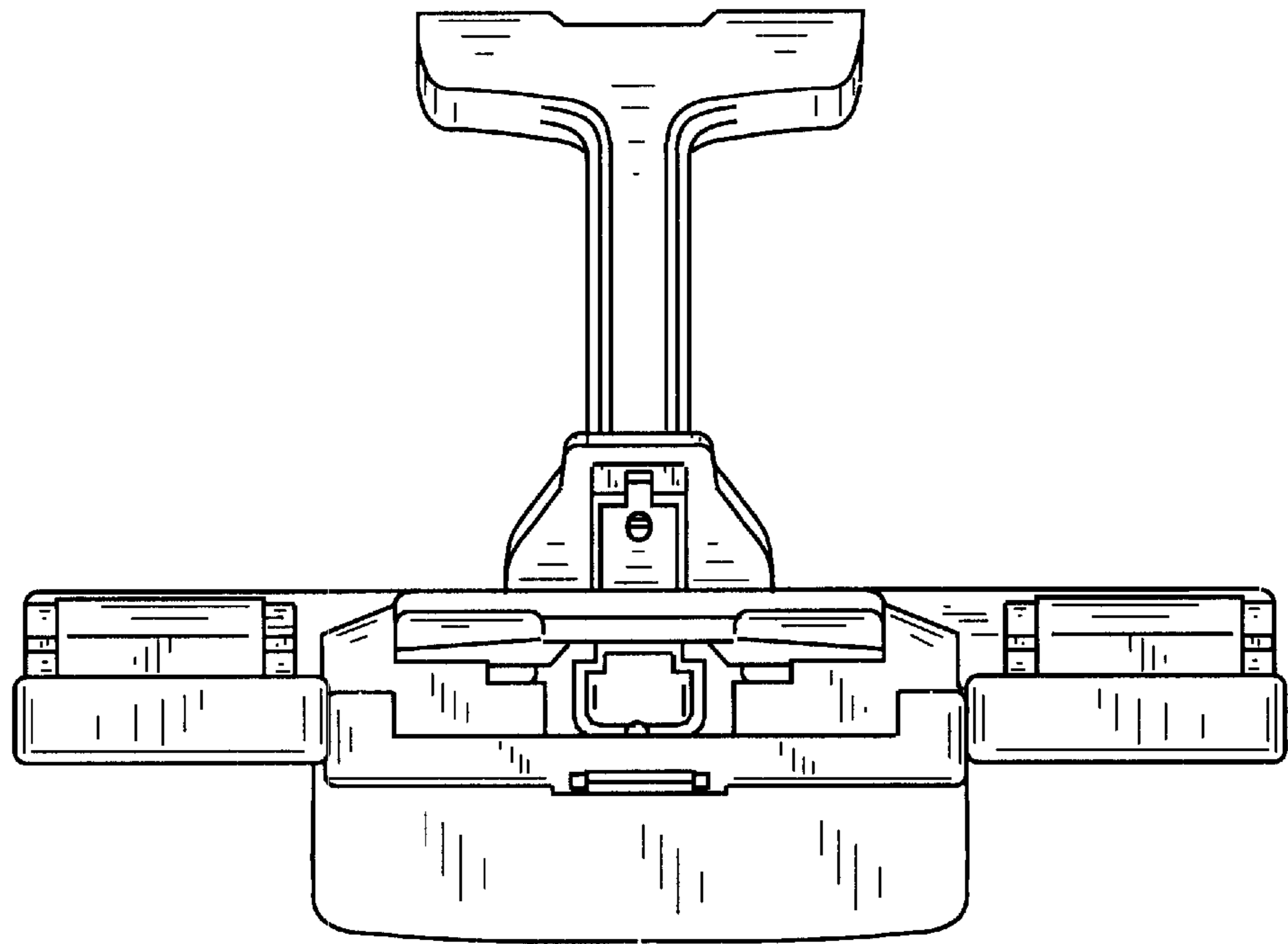


FIG. 7

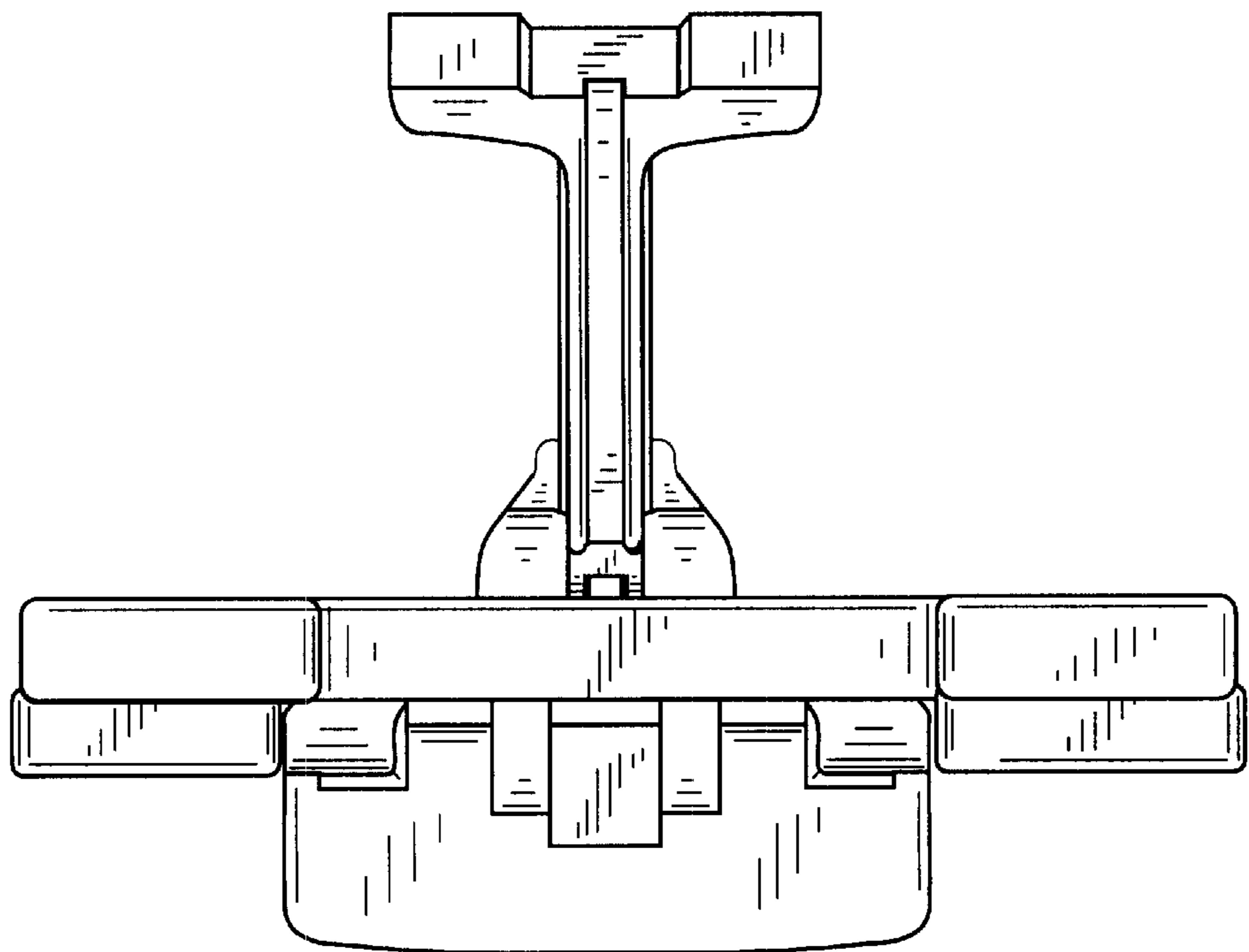


FIG. 8



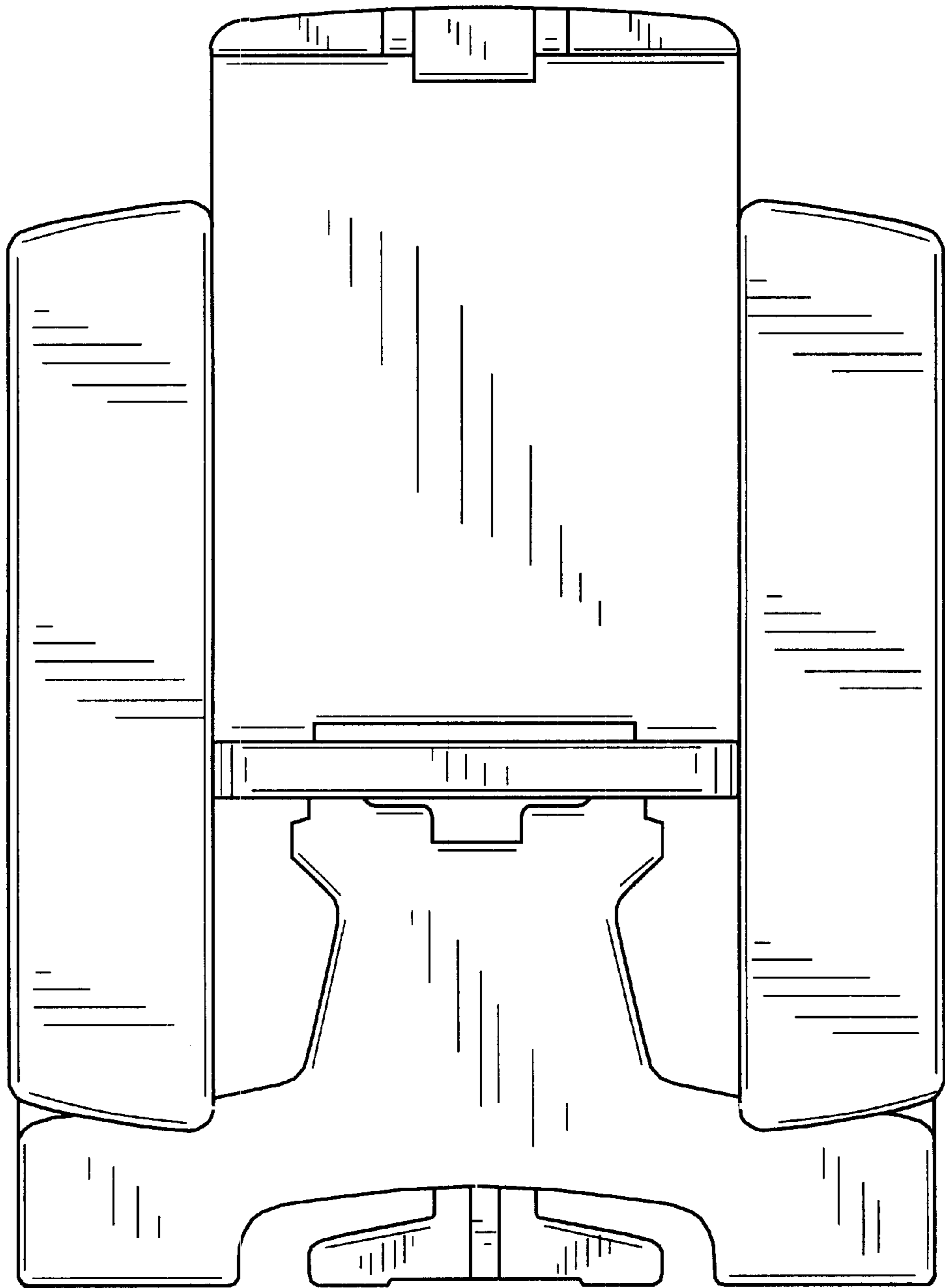


FIG. 9

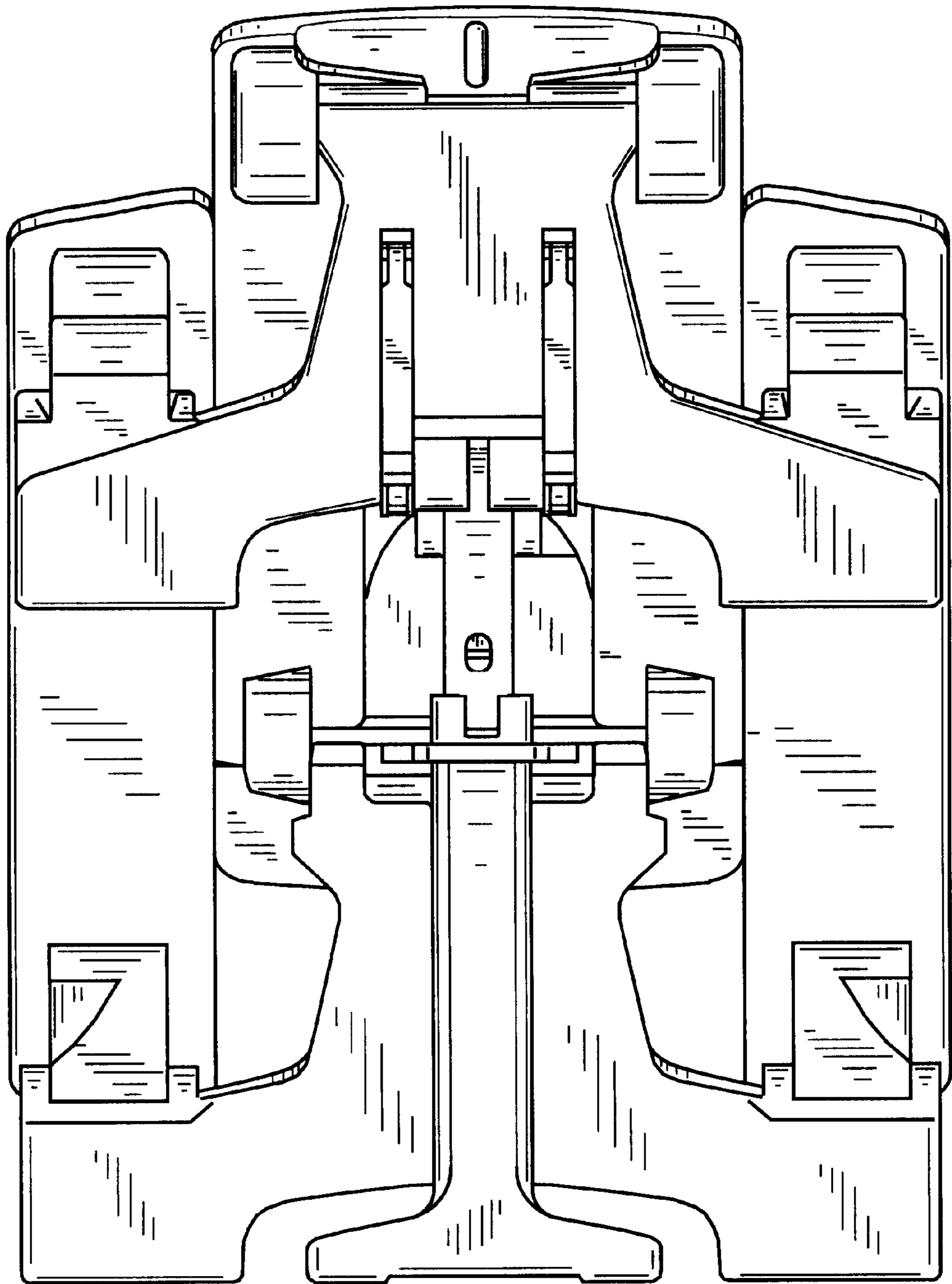


FIG. 10

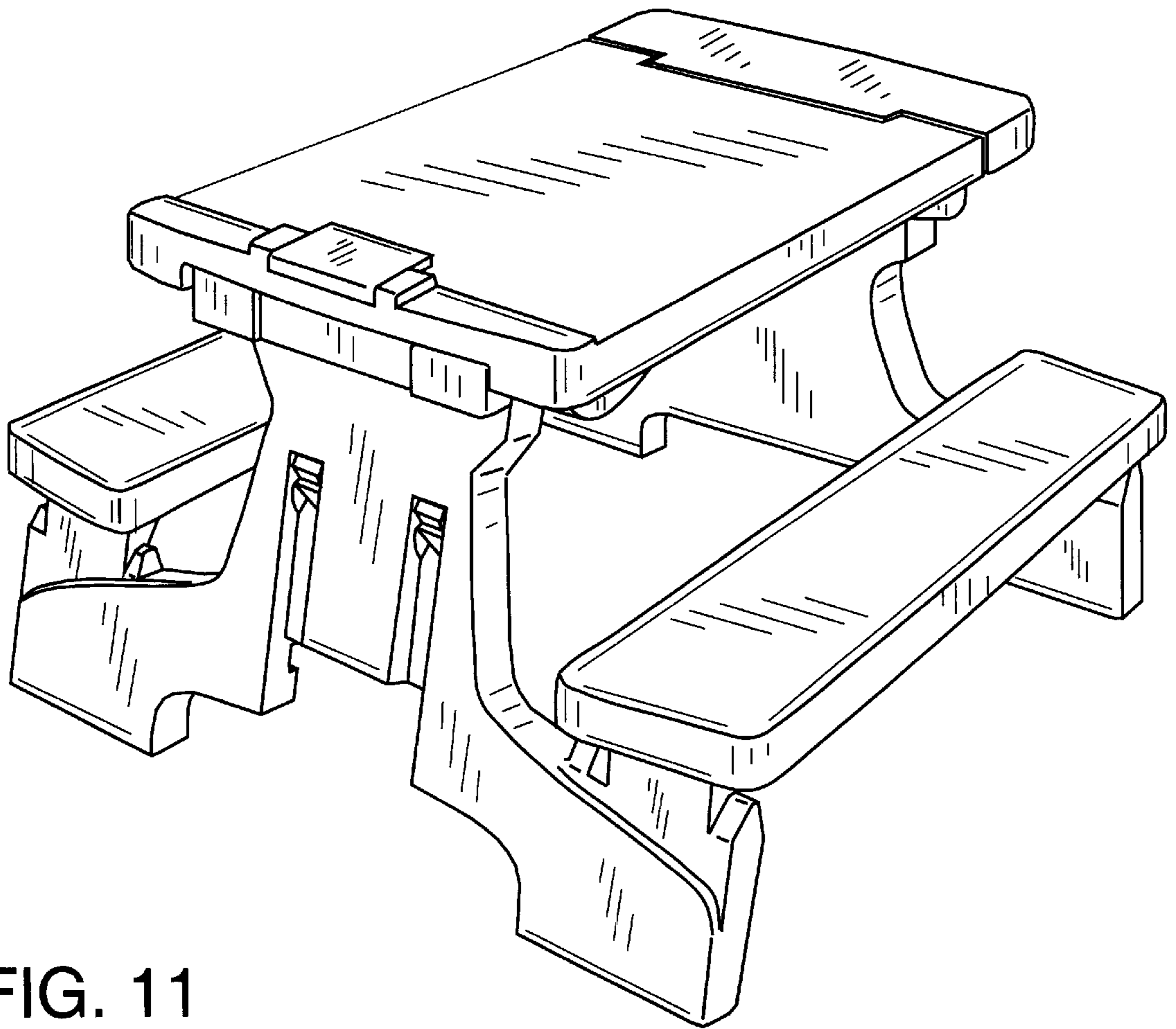


FIG. 11

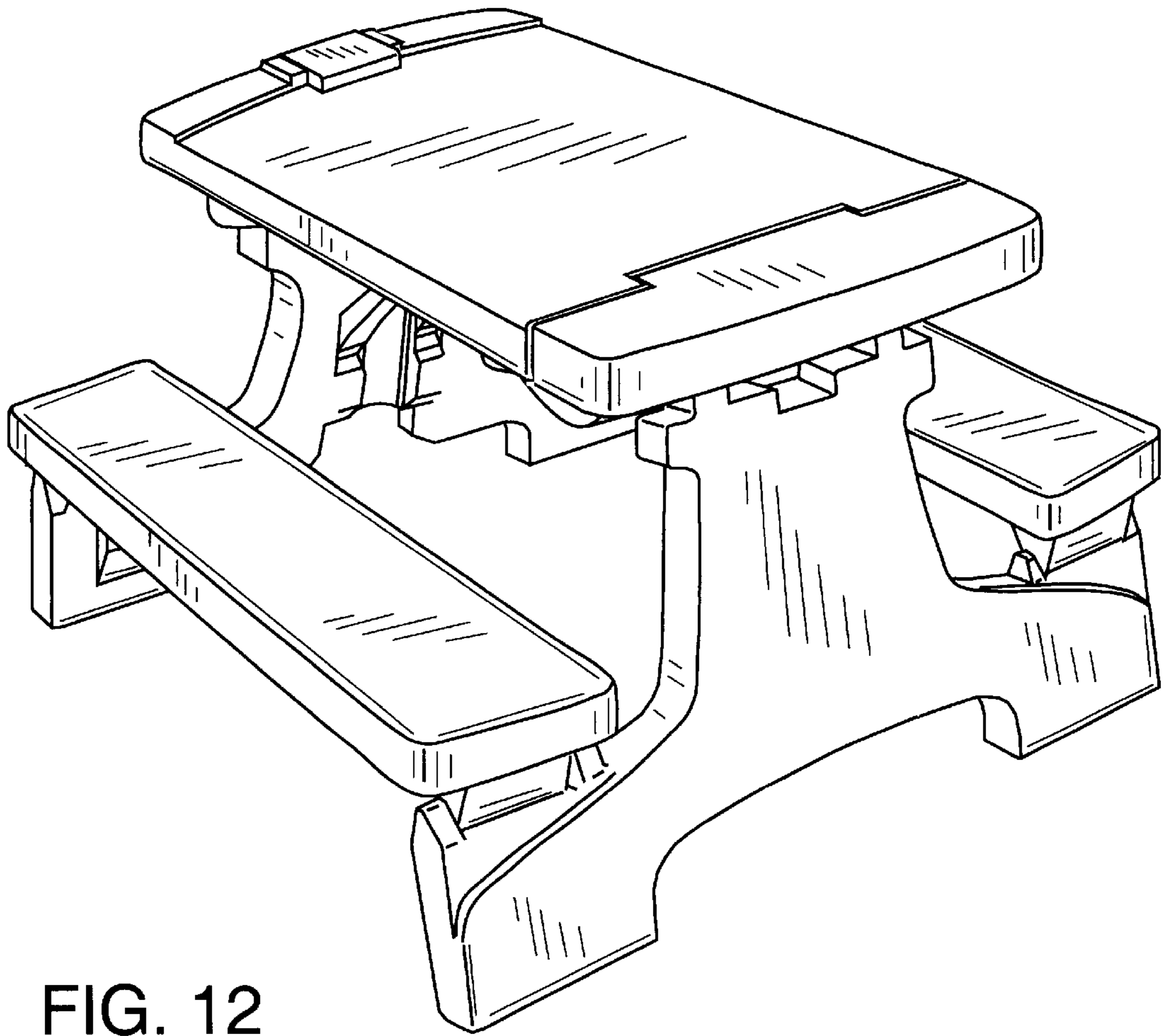


FIG. 12

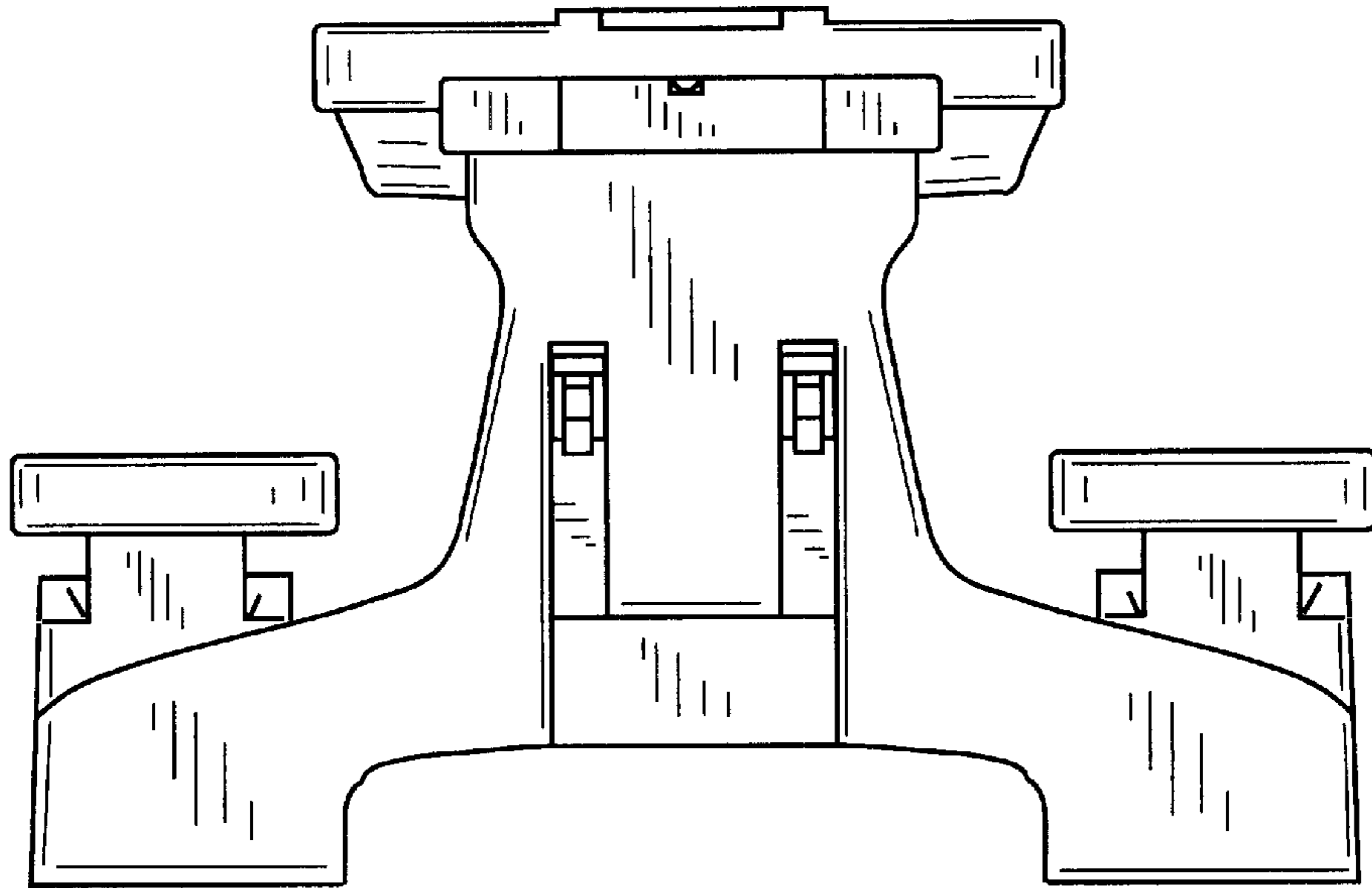


FIG. 13

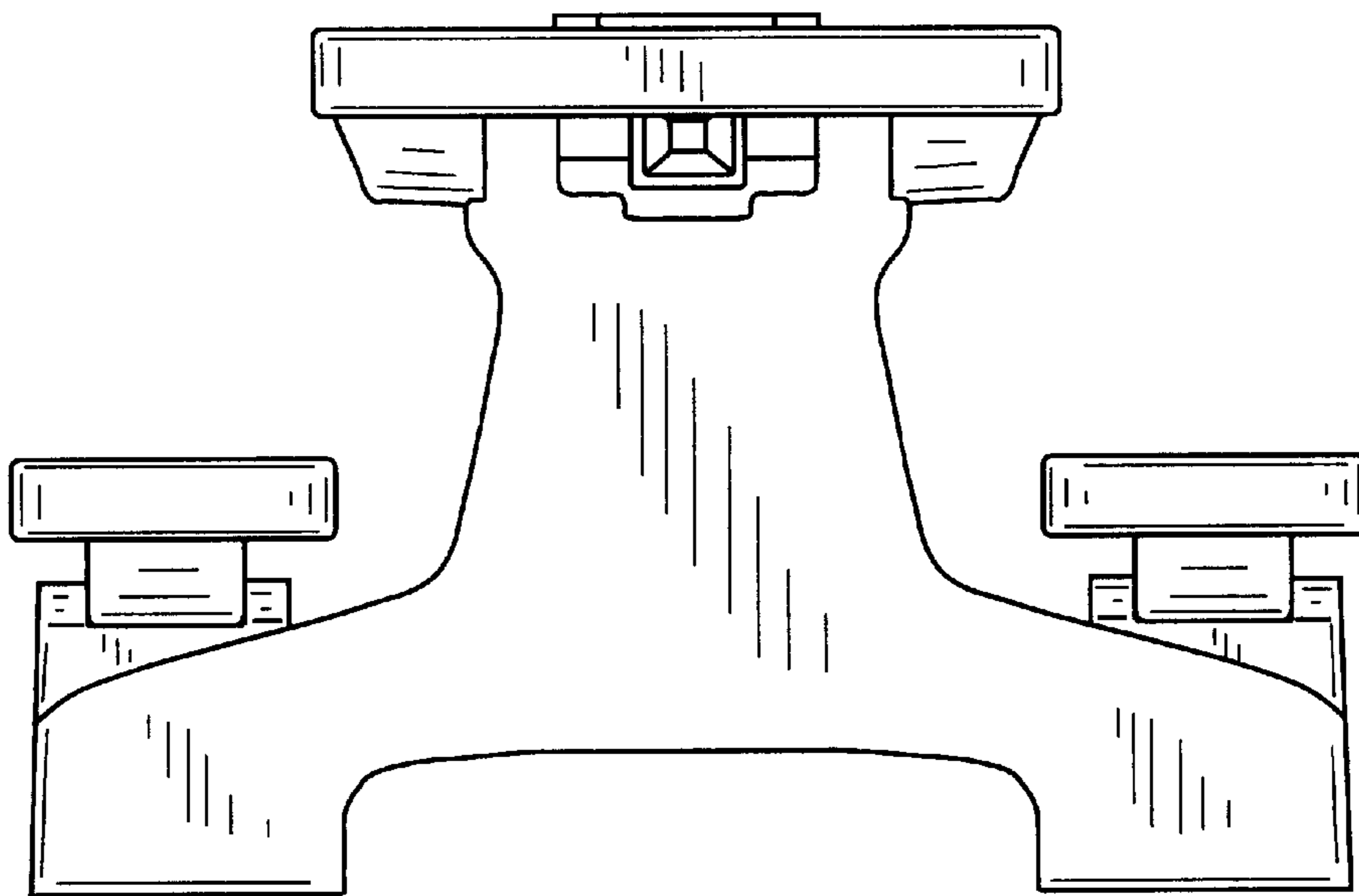


FIG. 14

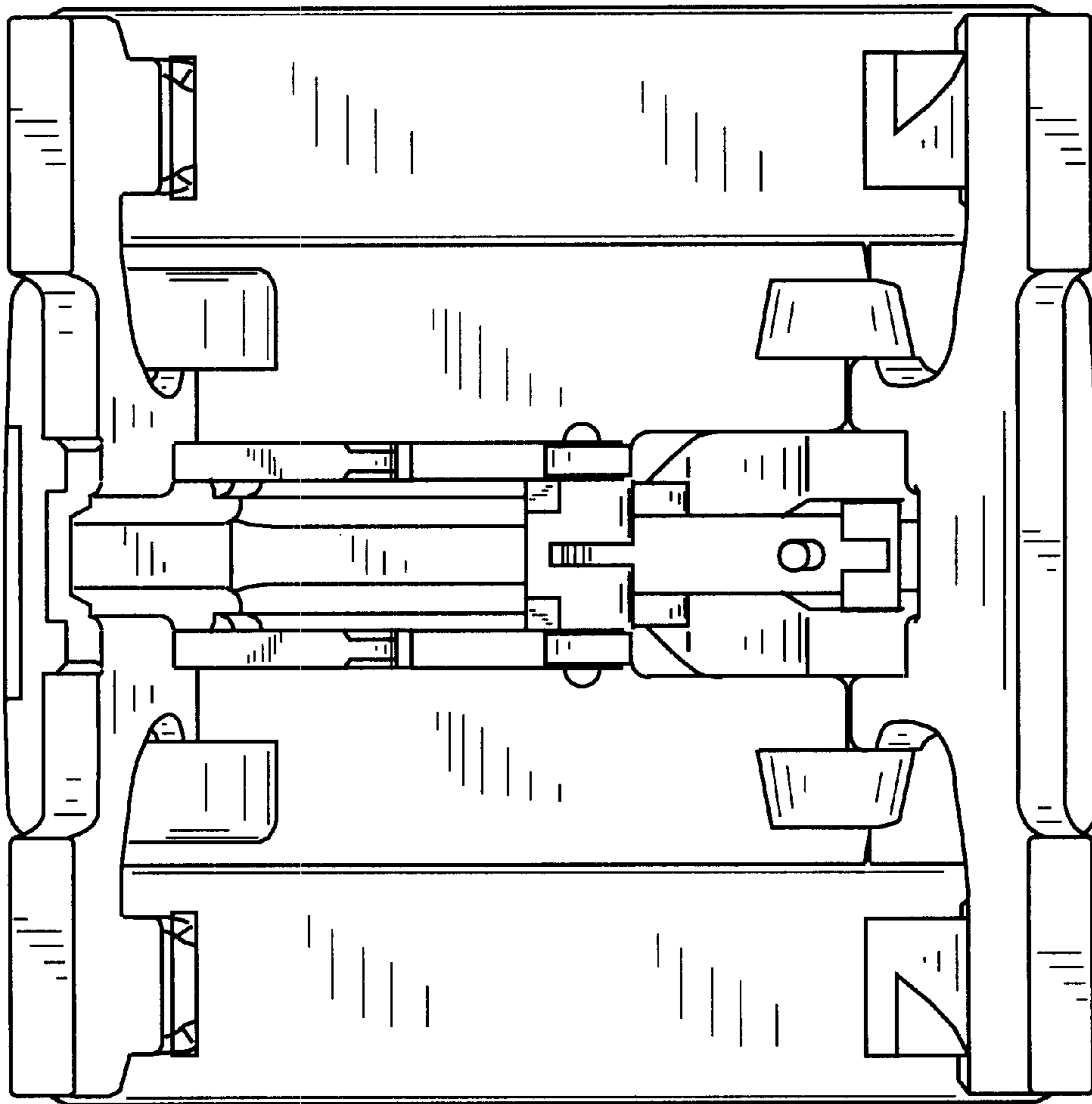


FIG. 15

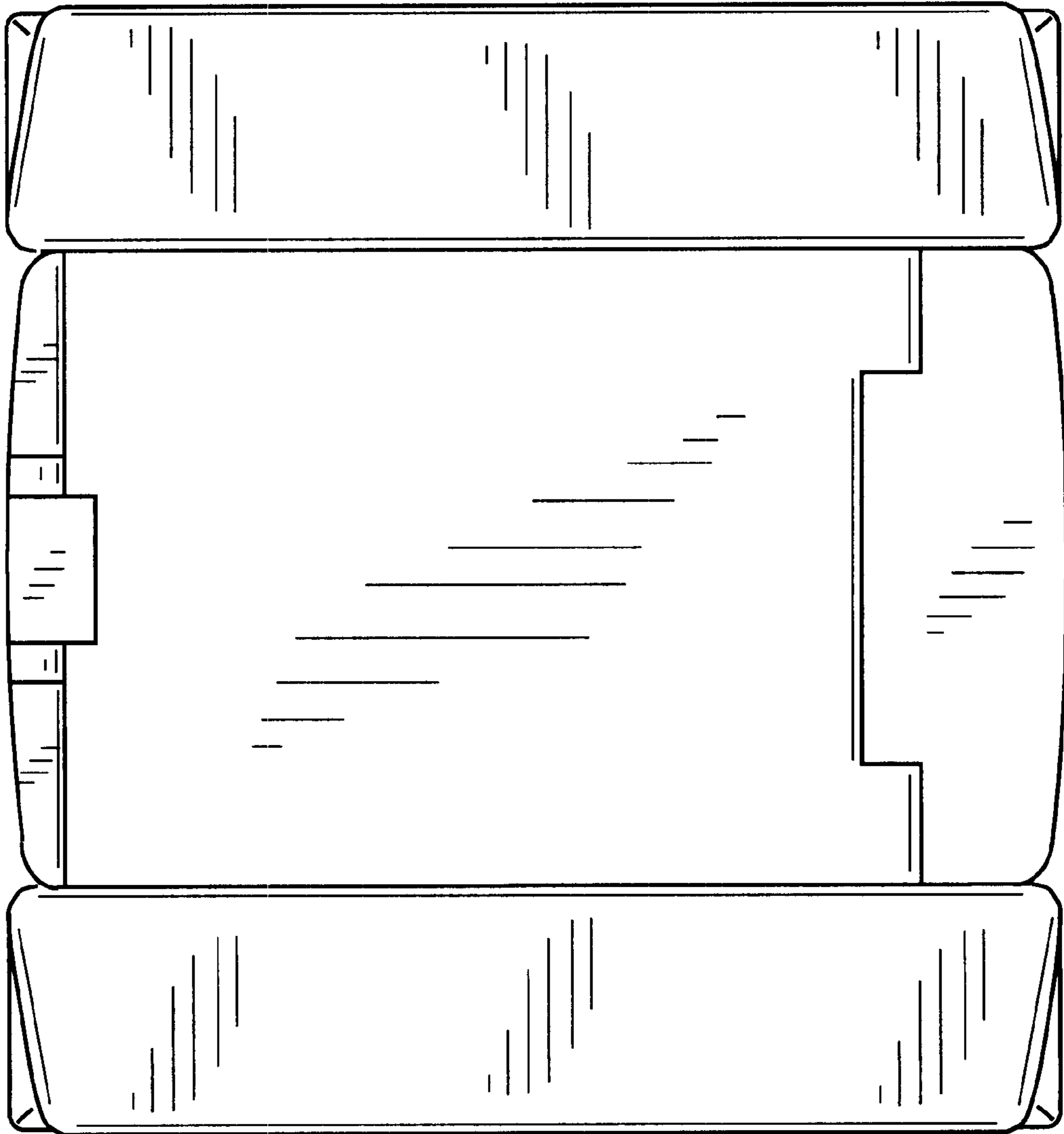


FIG. 16

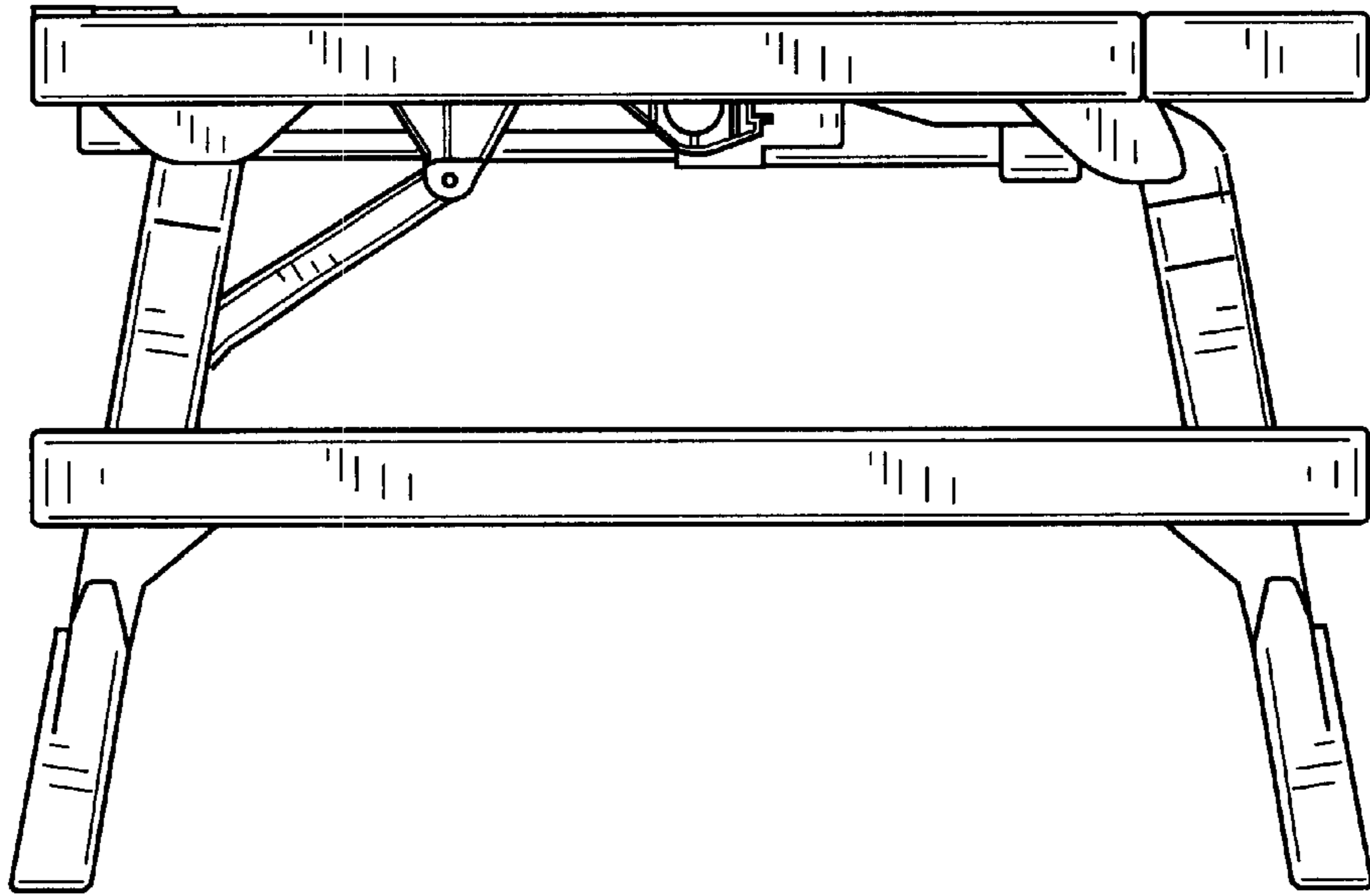


FIG. 17

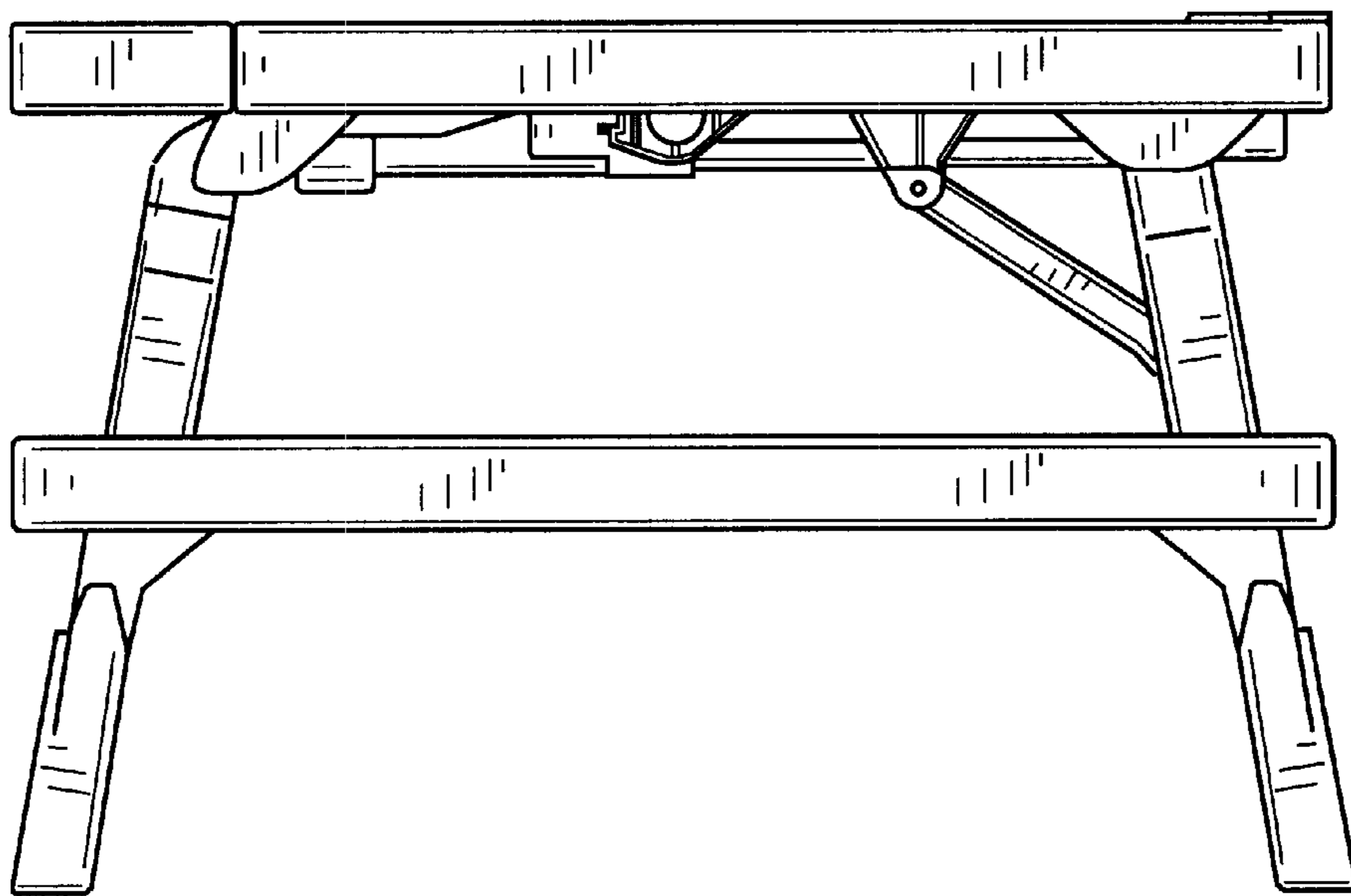


FIG. 18