



US00D474893S

(12) **United States Design Patent**
Chen

(10) **Patent No.:** **US D474,893 S**

(45) **Date of Patent:** **** May 27, 2003**

(54) **DECORATIVE PIECE FOR A SUITCASE**

(76) Inventor: **Wei-Chih Chen**, No. 59, Hen-Chung St. Wu-Chi Le, Ta-Chia Cheng, Taichung Hsien (TW)

(**) Term: **14 Years**

(21) Appl. No.: **29/159,110**

(22) Filed: **Apr. 16, 2002**

(51) **LOC (7) Cl.** **03-99**

(52) **U.S. Cl.** **D3/322**

(58) **Field of Search** D3/273, 274, 276, D3/279, 318, 321, 322; 190/35, 37, 127; 383/42, 80; 40/5, 6, 630, 651, 660, 665, 673; 206/586; 411/484; 283/80

(56) **References Cited**

U.S. PATENT DOCUMENTS

28,023	A	*	4/1860	Trott	40/5
442,884	A	*	12/1890	Harker	40/651
1,791,682	A	*	2/1931	Morrison et al.	40/651
D96,293	S	*	7/1935	Ball	D3/322
D96,506	S	*	8/1935	Redman	D3/322
D146,445	S	*	3/1947	Hiltenbrand	D3/322
5,806,638	A	*	9/1998	Mao	190/127 X
5,900,307	A	*	5/1999	Barcikowski	283/80 X
6,364,365	B1	*	4/2002	Caplan	283/80

* cited by examiner

Primary Examiner—Louis S. Zarfes
Assistant Examiner—Monica A. Weingart
(74) *Attorney, Agent, or Firm*—Harrison & Egbert

(57) **CLAIM**

I claim the ornamental design for a decorative piece for a suitcase, as shown and described.

DESCRIPTION

FIG. 1 is an upper perspective view of the decorative piece for a suitcase showing my design.

FIG. 2 is a front view thereof;

FIG. 3 is a back view thereof;

FIG. 4 is a side view thereof;

FIG. 5 is an opposite side view thereof;

FIG. 6 is a top view thereof;

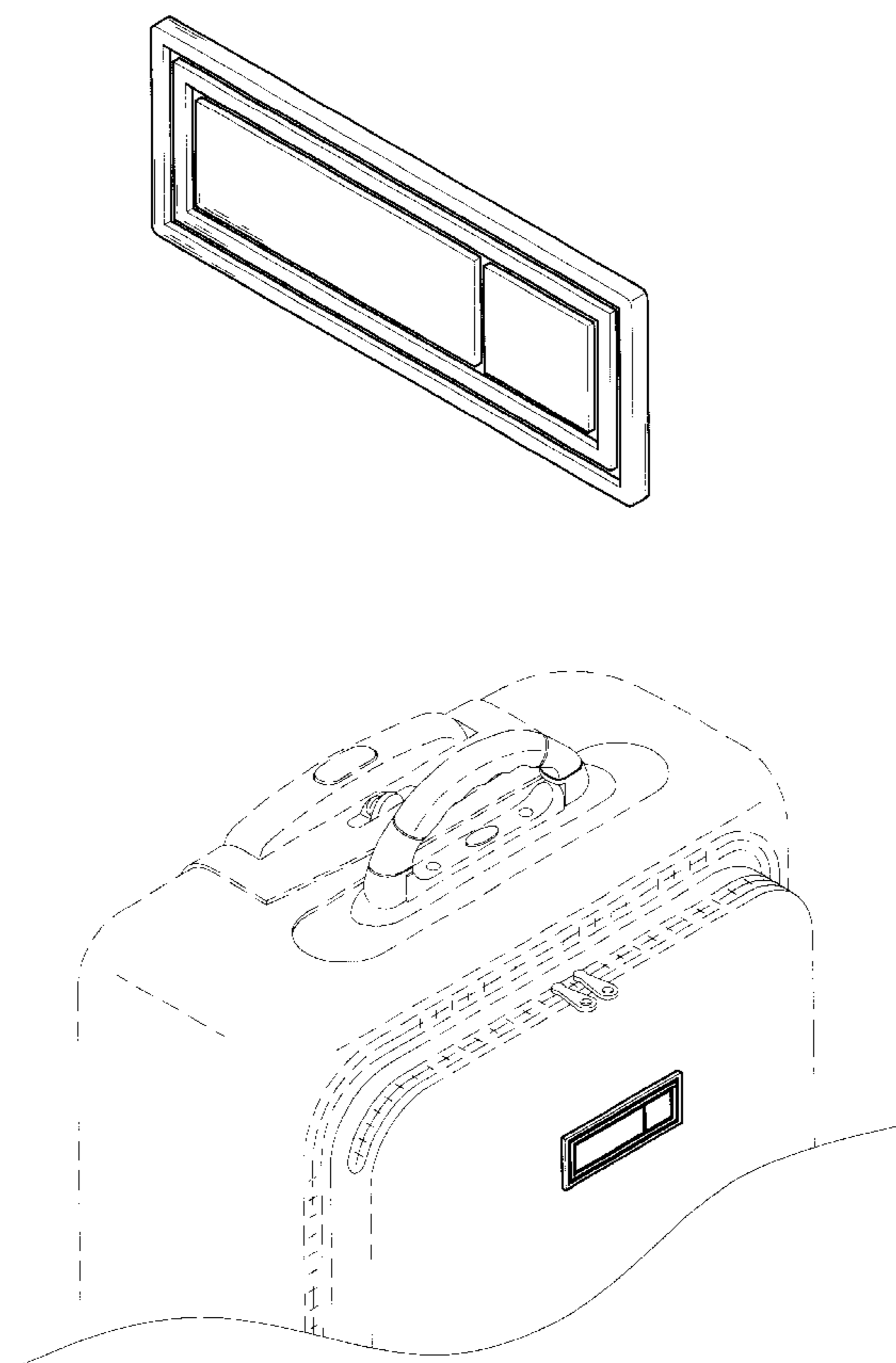
FIG. 7 is a bottom view thereof;

FIG. 8 is a cross-sectional view taken from the lateral center of FIG. 2 thereof; and,

FIG. 9 is a perspective view showing attachment to a suitcase.

The broken line showing of a suitcase, in FIG. 9, is for illustrative purposes only and forms no part of the claimed design.

1 Claim, 6 Drawing Sheets



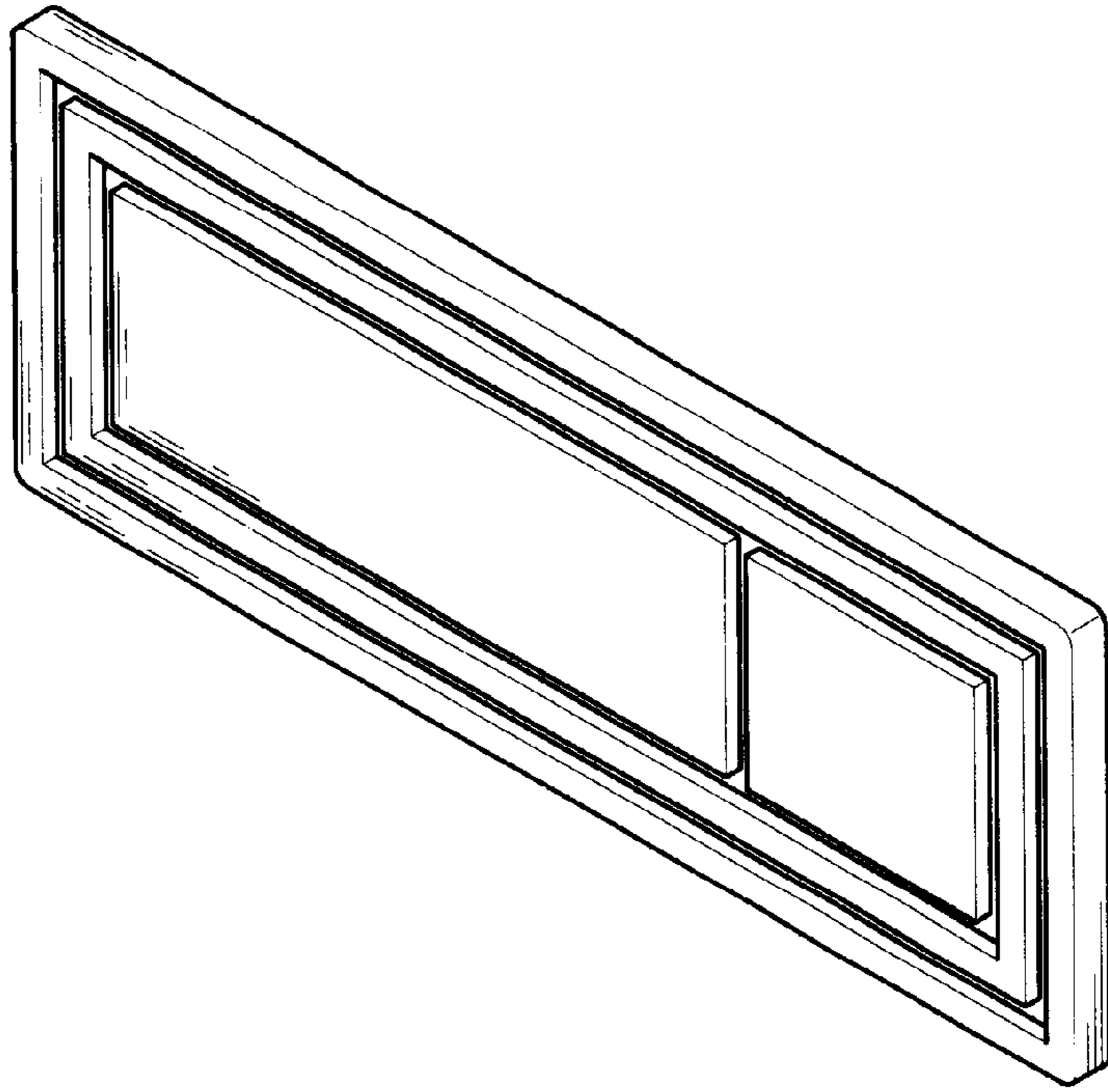


FIG.1

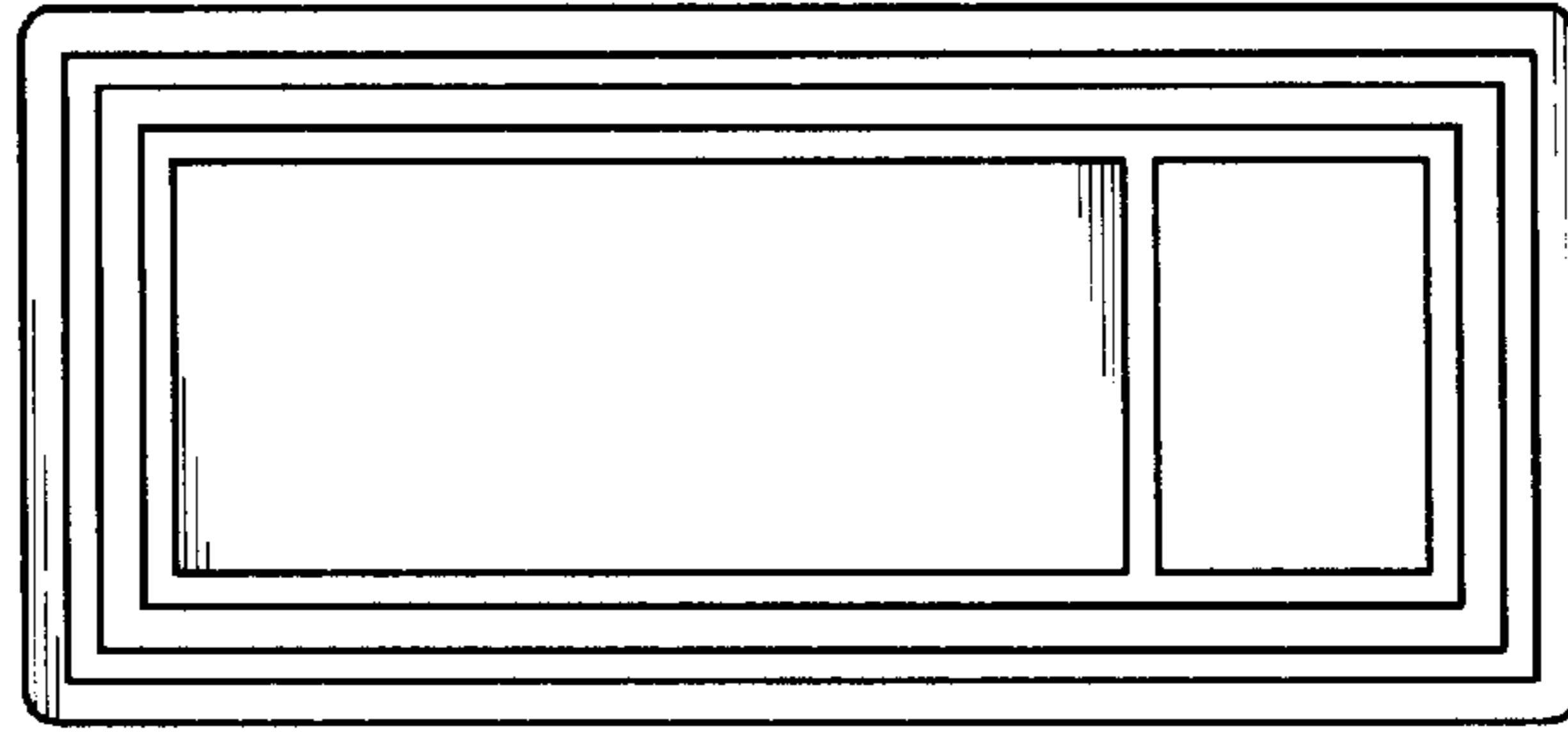


FIG. 2

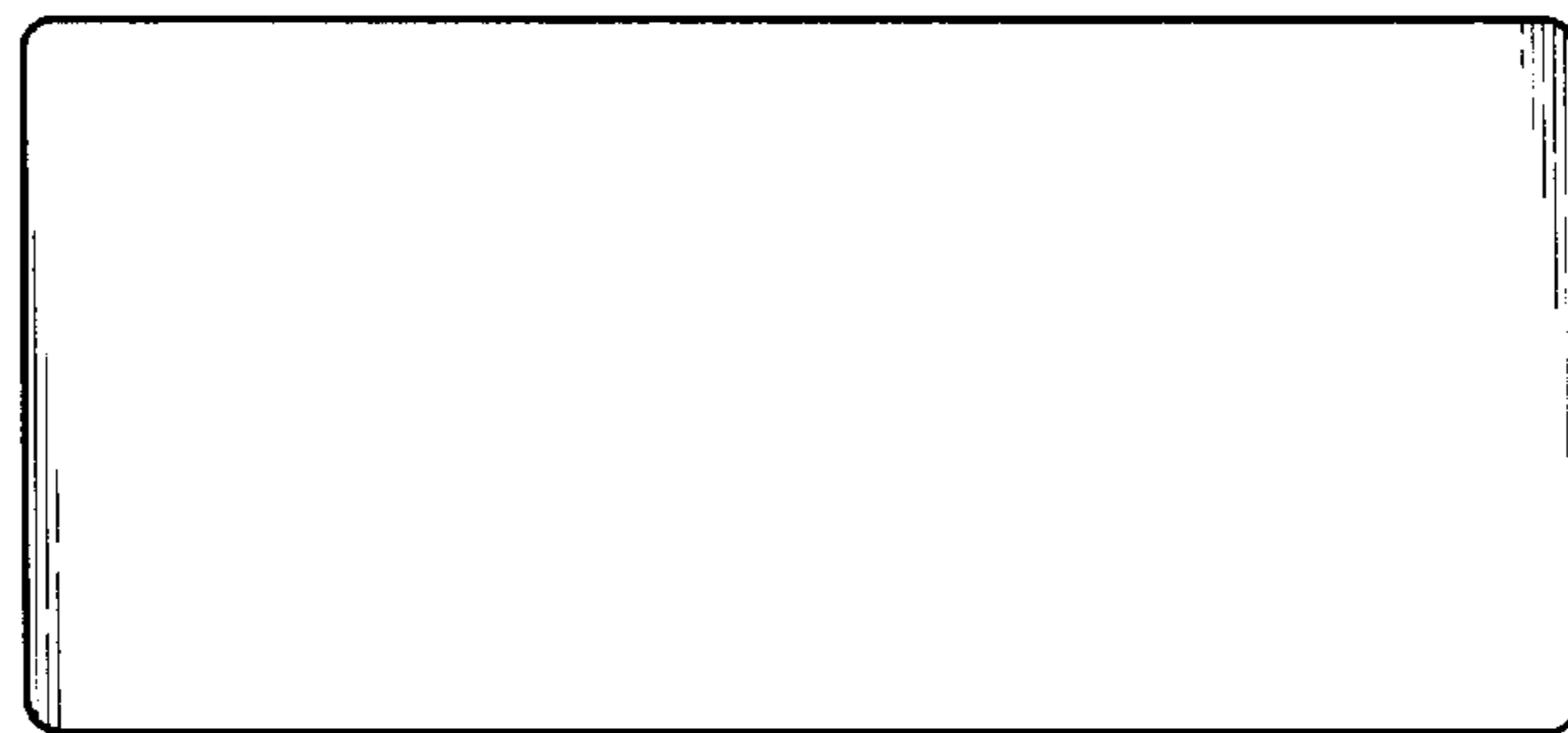


FIG. 3

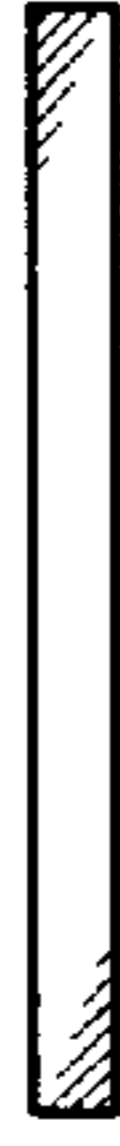


FIG.4



FIG.5



FIG.6

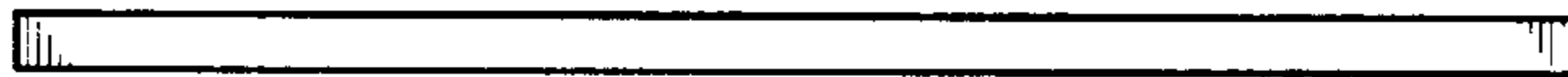


FIG.7

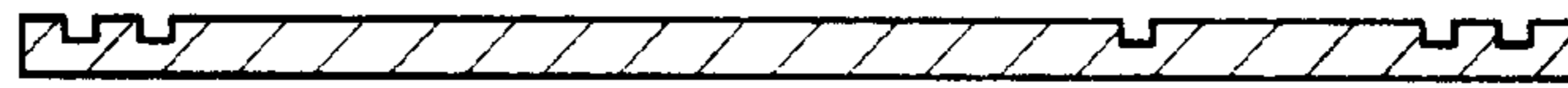


FIG.8

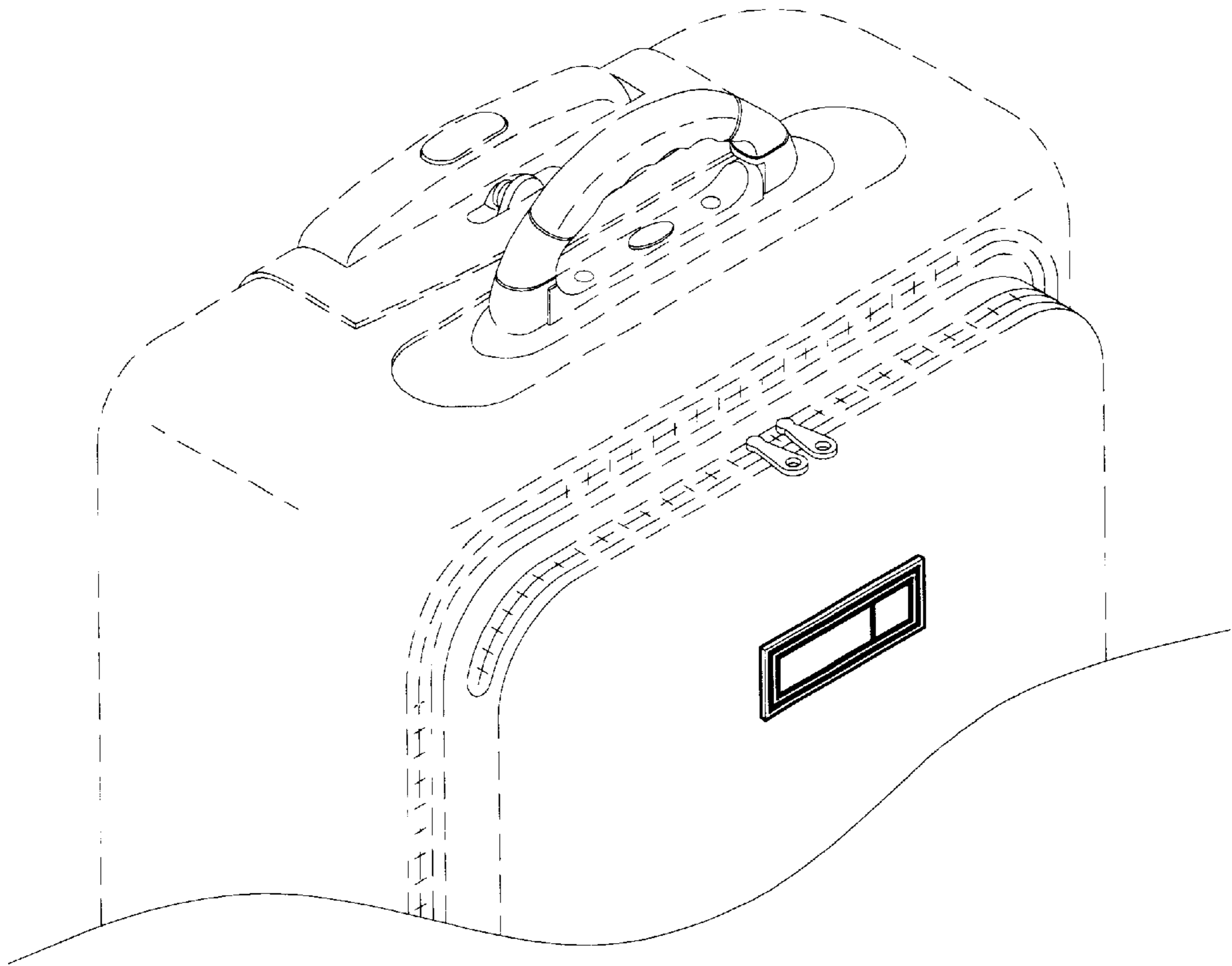


FIG.9