



US00D474891S

(12) **United States Design Patent**
Huang

(10) **Patent No.:** **US D474,891 S**

(45) **Date of Patent:** **** May 27, 2003**

(54) **TOOL BOX**

(76) Inventor: **Chiu-Tien Huang**, No. 87, Lane 129,
Kuangfuh Rd., Feng-Luen Pyi-Tour,
Chang Hwa (TW)

(**) Term: **14 Years**

(21) Appl. No.: **29/161,899**

(22) Filed: **Jun. 6, 2002**

(51) **LOC (7) Cl.** **03-01**

(52) **U.S. Cl.** **D3/309**

(58) **Field of Search** D3/201, 259, 304,
D3/307, 313, 315, 316, 905; D7/590, 600;
220/528, 529, 752, 753, 755, 770, 774-776,
DIG. 13, DIG. 14

(56) **References Cited**

U.S. PATENT DOCUMENTS

2,740,517 A * 4/1956 Evans 220/773
4,122,944 A * 10/1978 De Napoli 206/349
D266,207 S * 9/1982 Kirchberger et al. D3/206

D279,618 S * 7/1985 Walker D3/308
D299,778 S * 2/1989 Smith D3/307
D328,161 S * 7/1992 Welch et al. D3/315
D346,682 S * 5/1994 Trovato D3/308
D406,946 S * 3/1999 Larson D3/905

* cited by examiner

Primary Examiner—Louis S. Zarfes

Assistant Examiner—Deanne Levy

(74) *Attorney, Agent, or Firm*—Charles E. Baxley

(57) **CLAIM**

The ornamental design for a tool box, as shown and described.

DESCRIPTION

FIG. 1 is a perspective view of a tool box showing my new design;

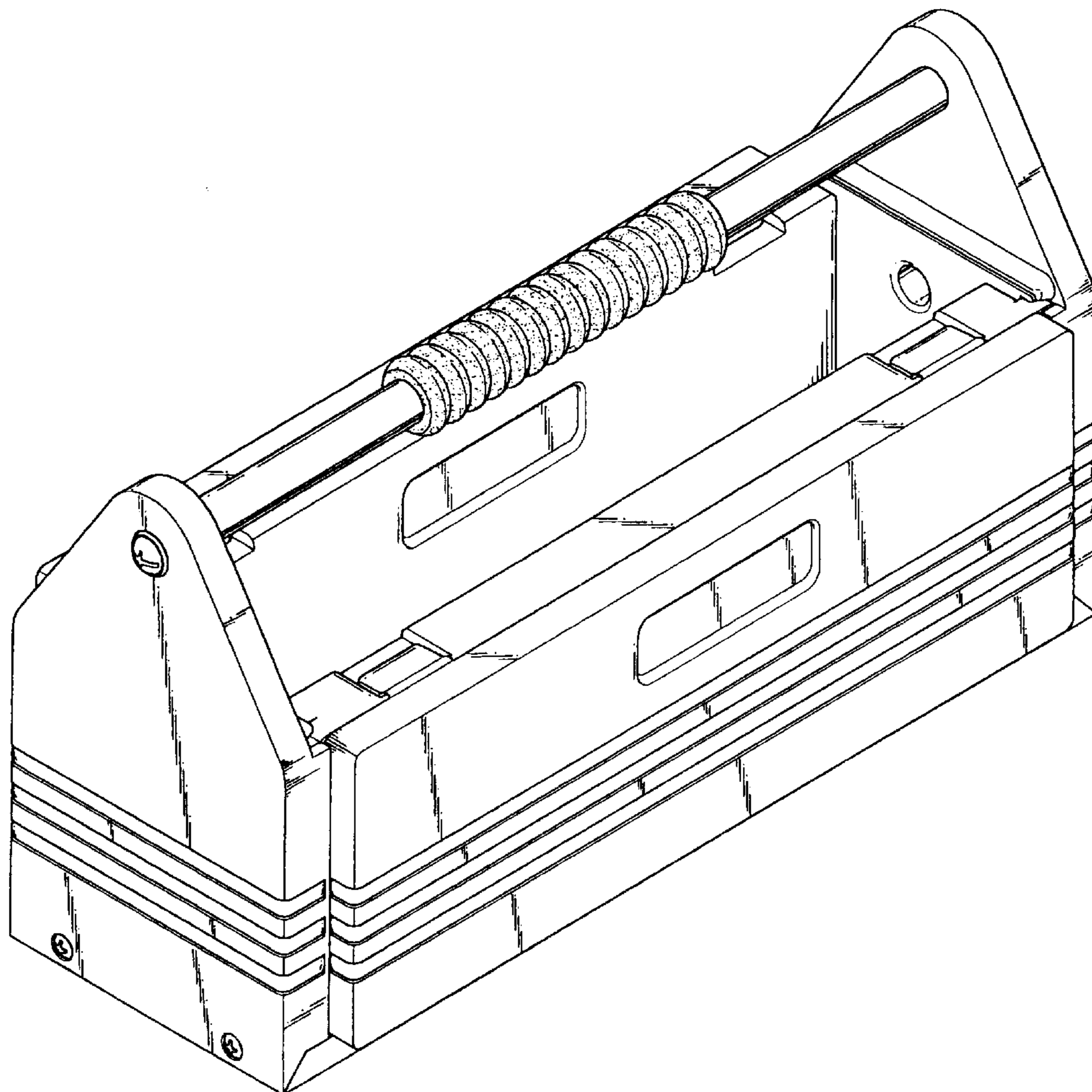
FIG. 2 is a front and rear elevational view thereof;

FIG. 3 is a left side elevational view thereof;

FIG. 4 is a right side elevational view thereof; and,

FIG. 5 is a top plan view thereof.

1 Claim, 5 Drawing Sheets



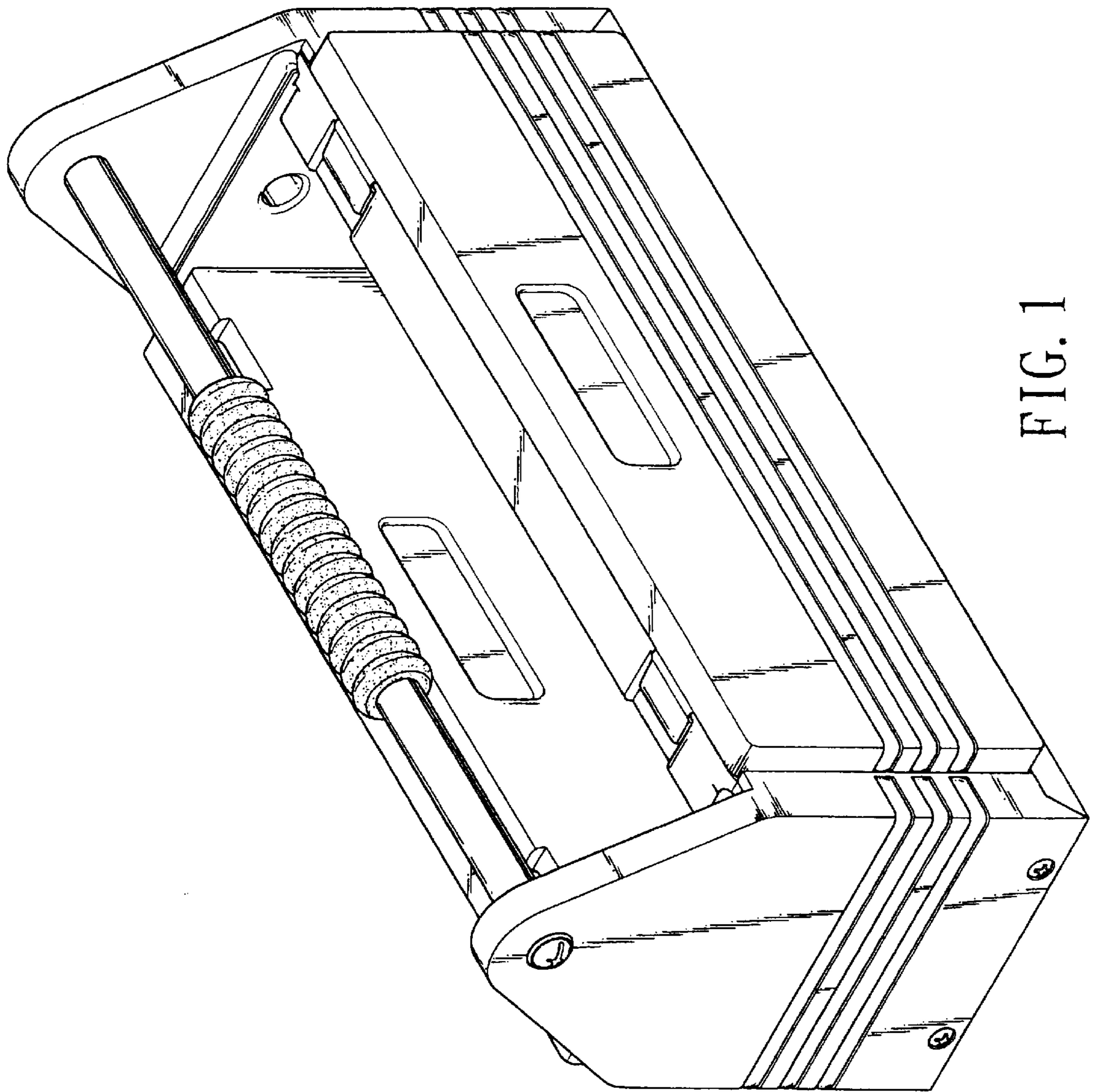


FIG. 1

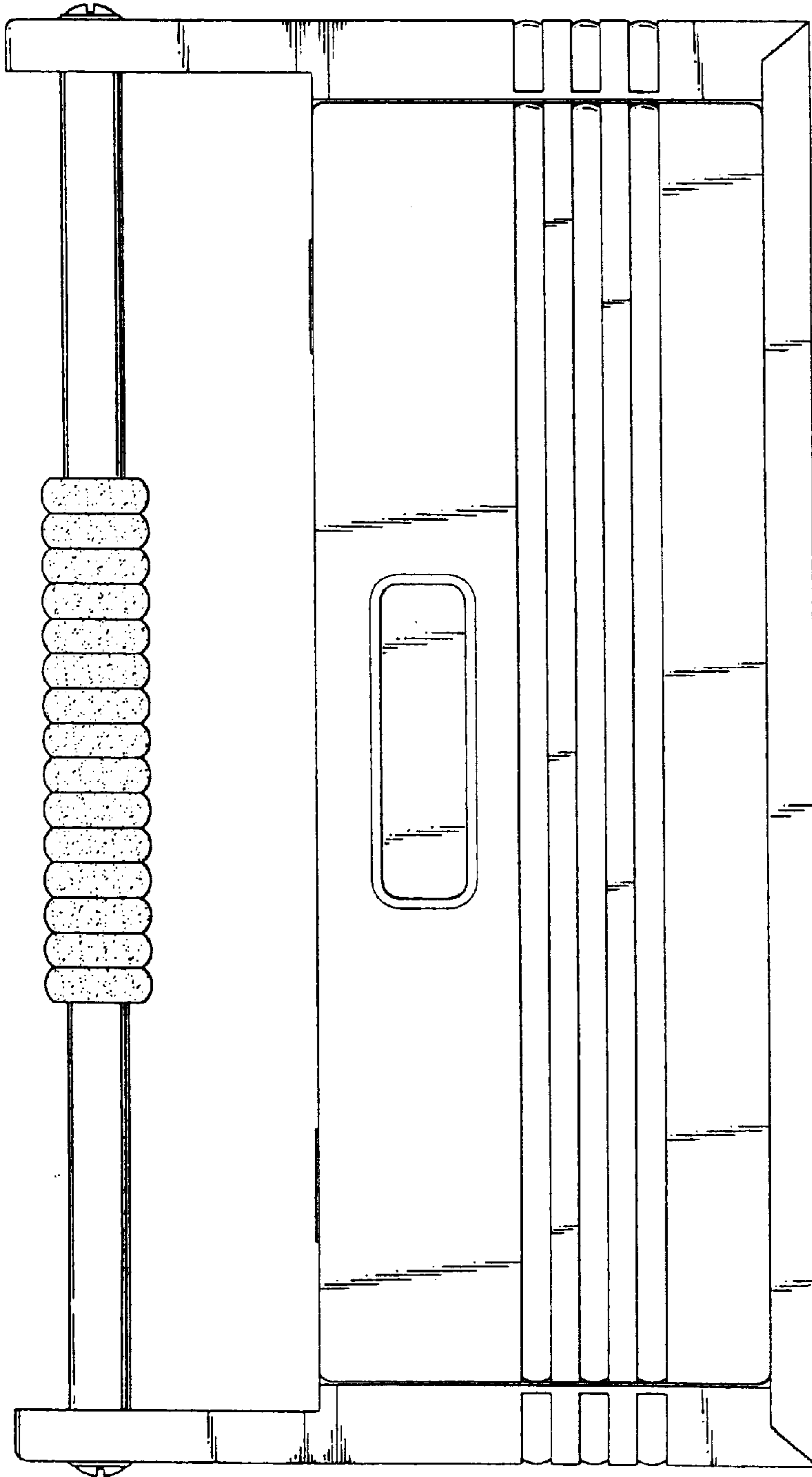


FIG. 2

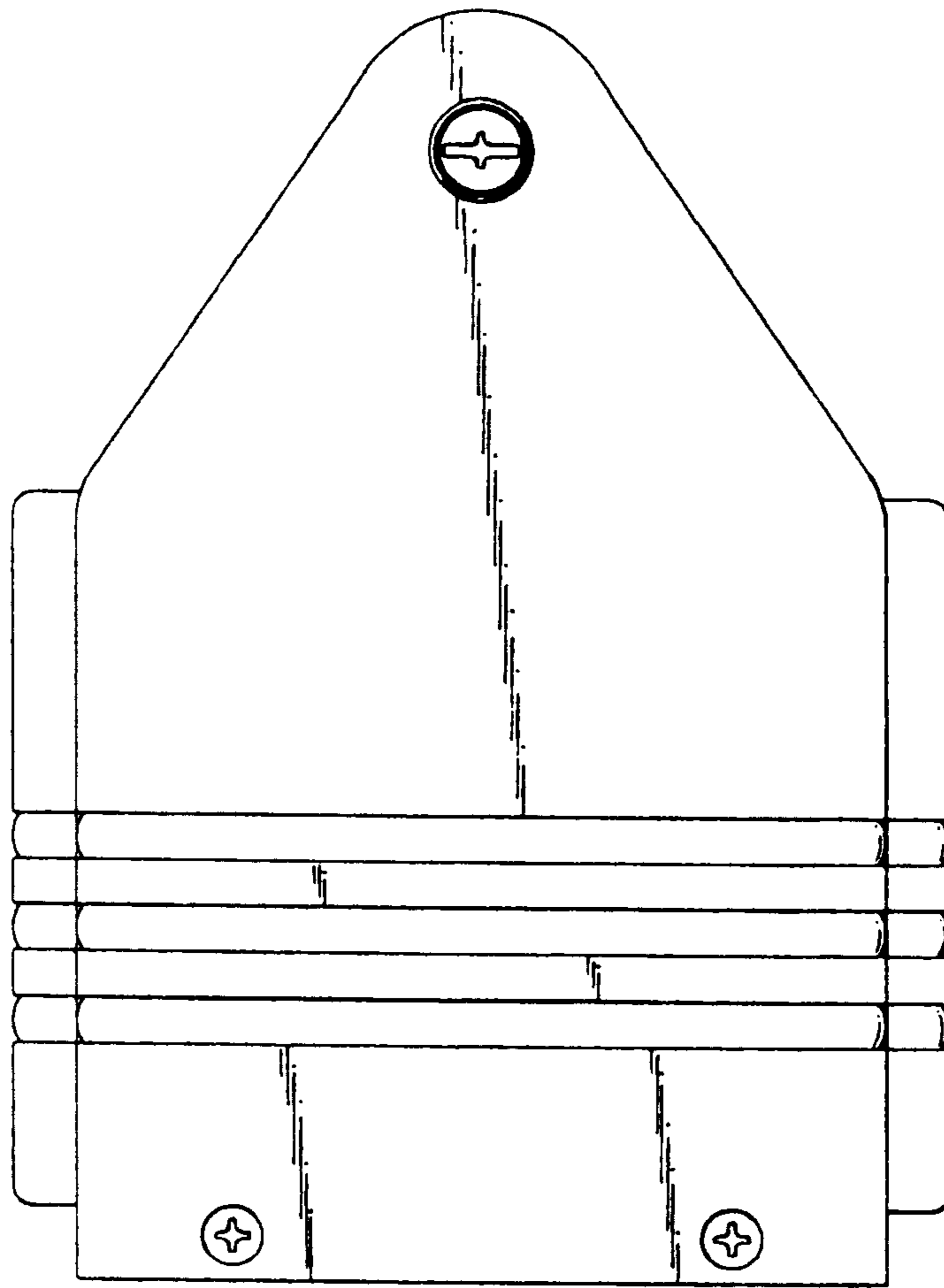


FIG. 3

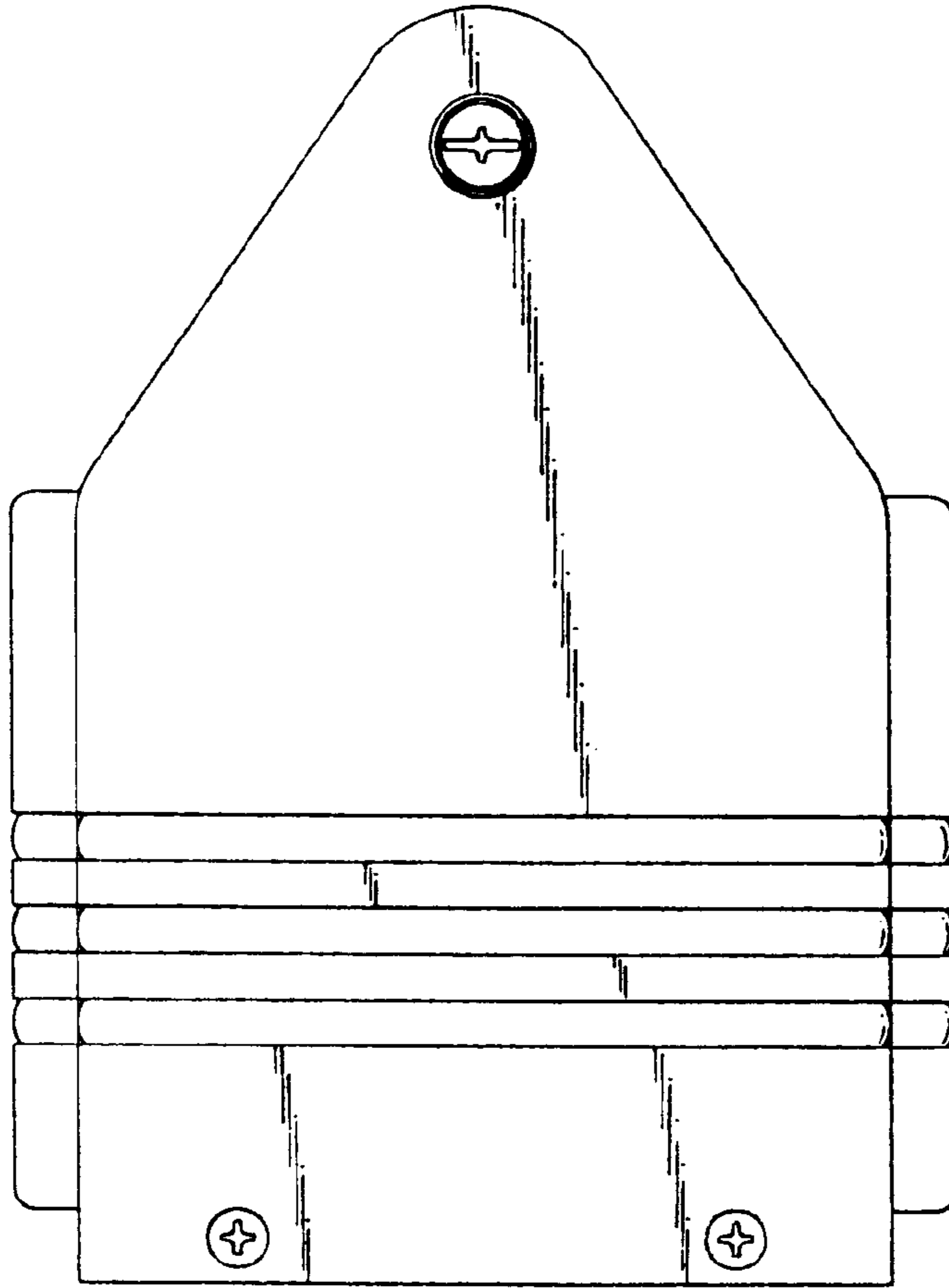


FIG. 4

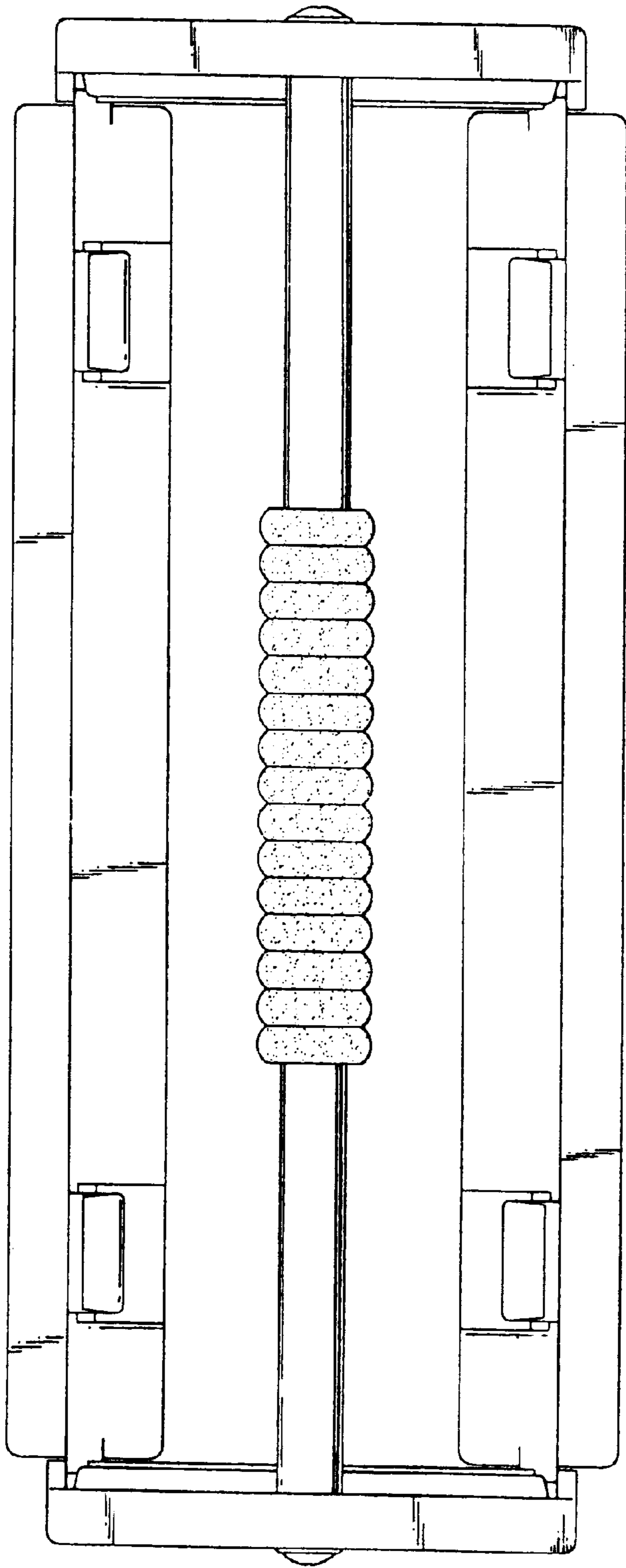


FIG. 5