



US00D474888S

(12) **United States Design Patent**  
**Gillenwater**

(10) **Patent No.:** **US D474,888 S**

(45) **Date of Patent:** **\*\* May 27, 2003**

(54) **SPORTBOARD CARRIER**

(75) **Inventor:** **Cornell Gillenwater**, Perris, CA (US)

(73) **Assignee:** **Sling Pak Products, LLC**

(\*\*) **Term:** **14 Years**

(21) **Appl. No.:** **29/154,972**

(22) **Filed:** **Feb. 4, 2002**

(51) **LOC (7) Cl.** ..... **03-01**

(52) **U.S. Cl.** ..... **D3/261; D3/221; D3/315**

(58) **Field of Search** ..... **D3/254, 315, 221;**  
**224/151, 202, 257, 258, 578**

(56) **References Cited**

**U.S. PATENT DOCUMENTS**

4,790,460 A \* 12/1988 Harper, Jr. .... 224/250  
5,016,794 A \* 5/1991 Beagle, Jr. .... 211/60.1  
D321,792 S \* 11/1991 MacNeary ..... D3/221

5,092,506 A \* 3/1992 Bolduc ..... 224/191

5,344,056 A \* 9/1994 Challoner et al. .... 224/581

5,492,254 A 2/1996 Challoner et al. .... 224/151

5,746,361 A 5/1998 Johnson ..... 224/258

D455,259 S \* 4/2002 Kelly-Pollet ..... D3/221

\* cited by examiner

*Primary Examiner*—Philip S. Hyder

(74) *Attorney, Agent, or Firm*—Calif Tervo

(57) **CLAIM**

The ornamental design for a sportboard carrier, as shown and described.

**DESCRIPTION**

FIG. 1 is a rear elevation view of a sportboard carrier showing my new design;

FIG. 2 is a rear perspective view thereof; and,

FIG. 3 is a front perspective view thereof.

**1 Claim, 2 Drawing Sheets**

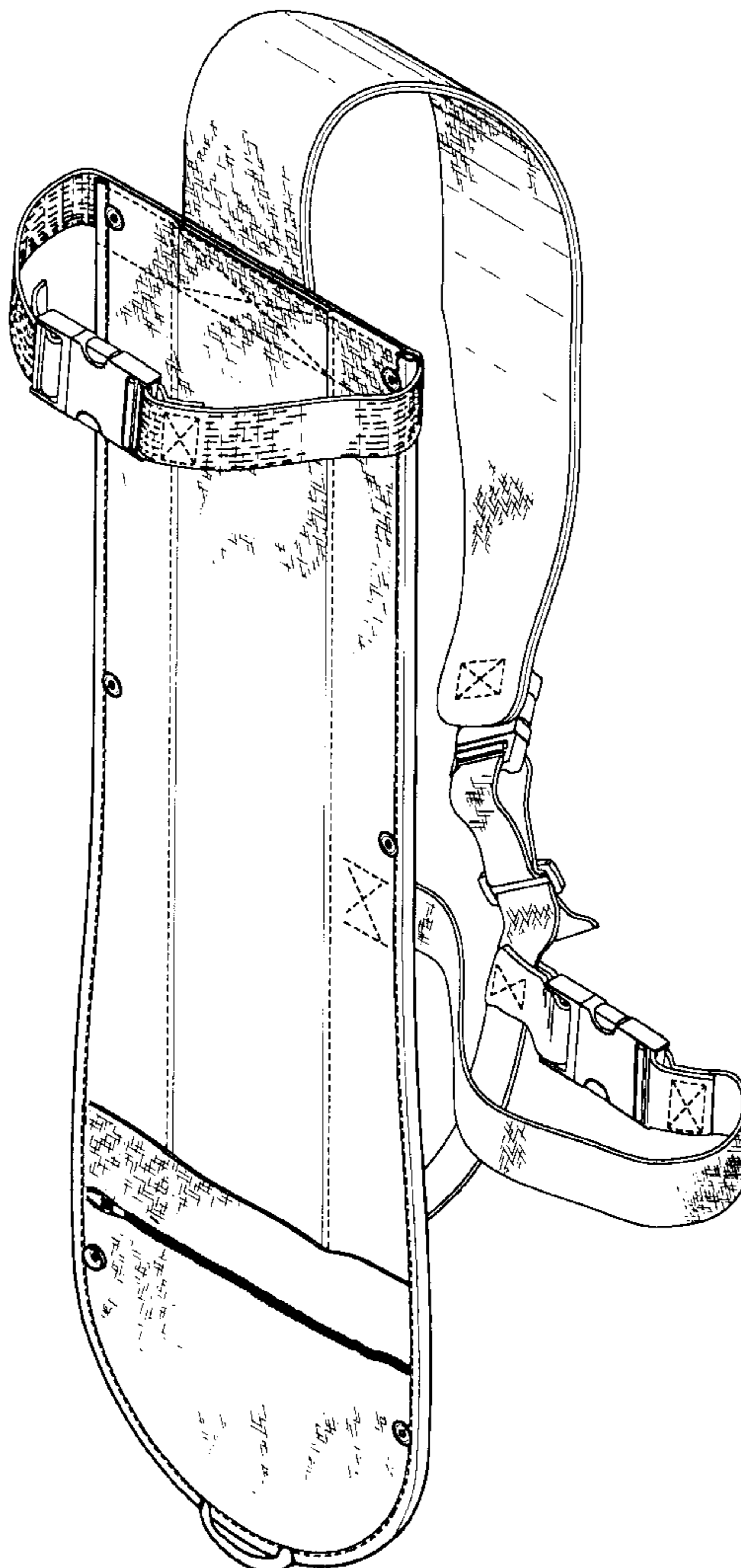


FIG. 1

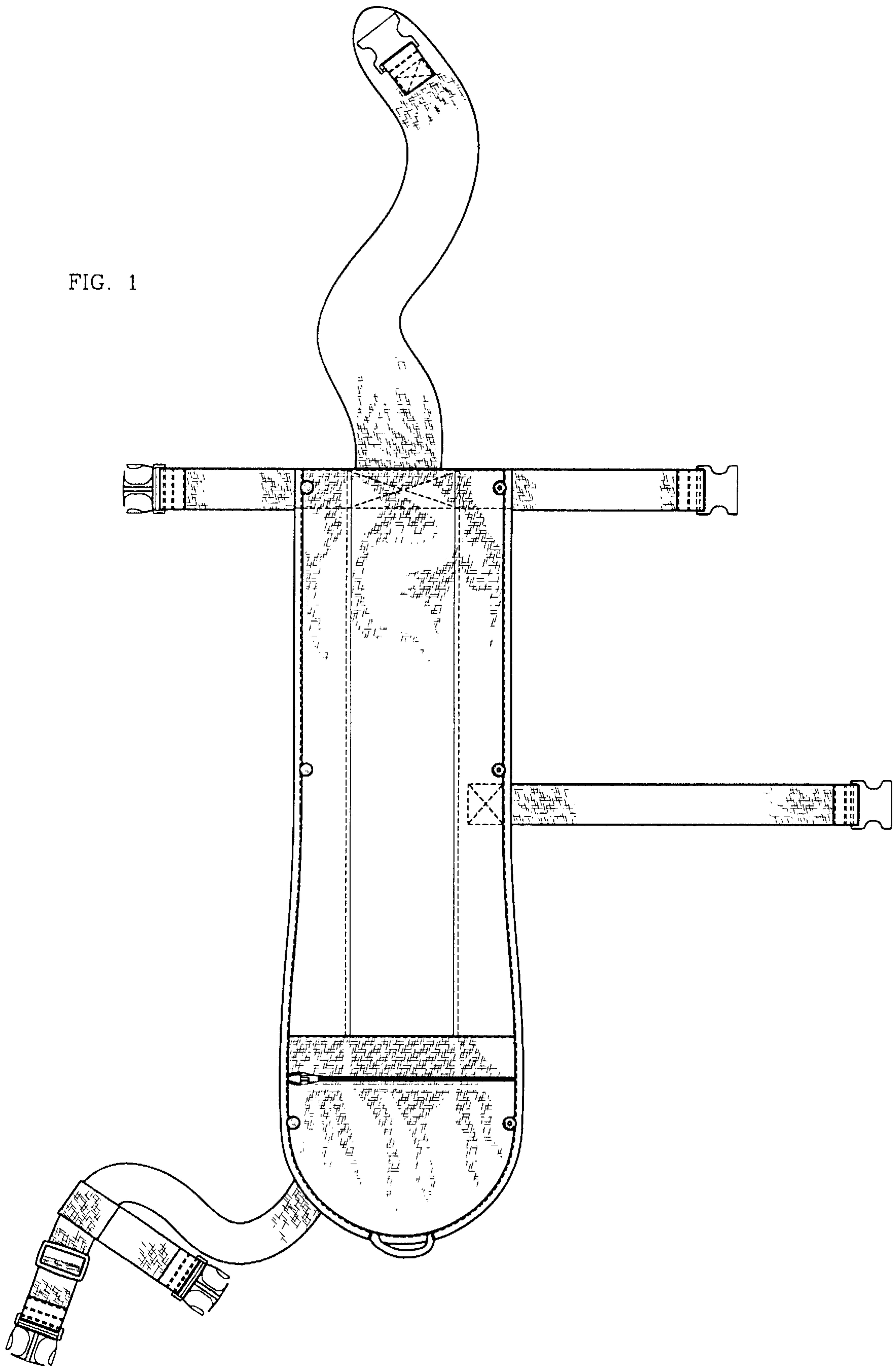


FIG. 2

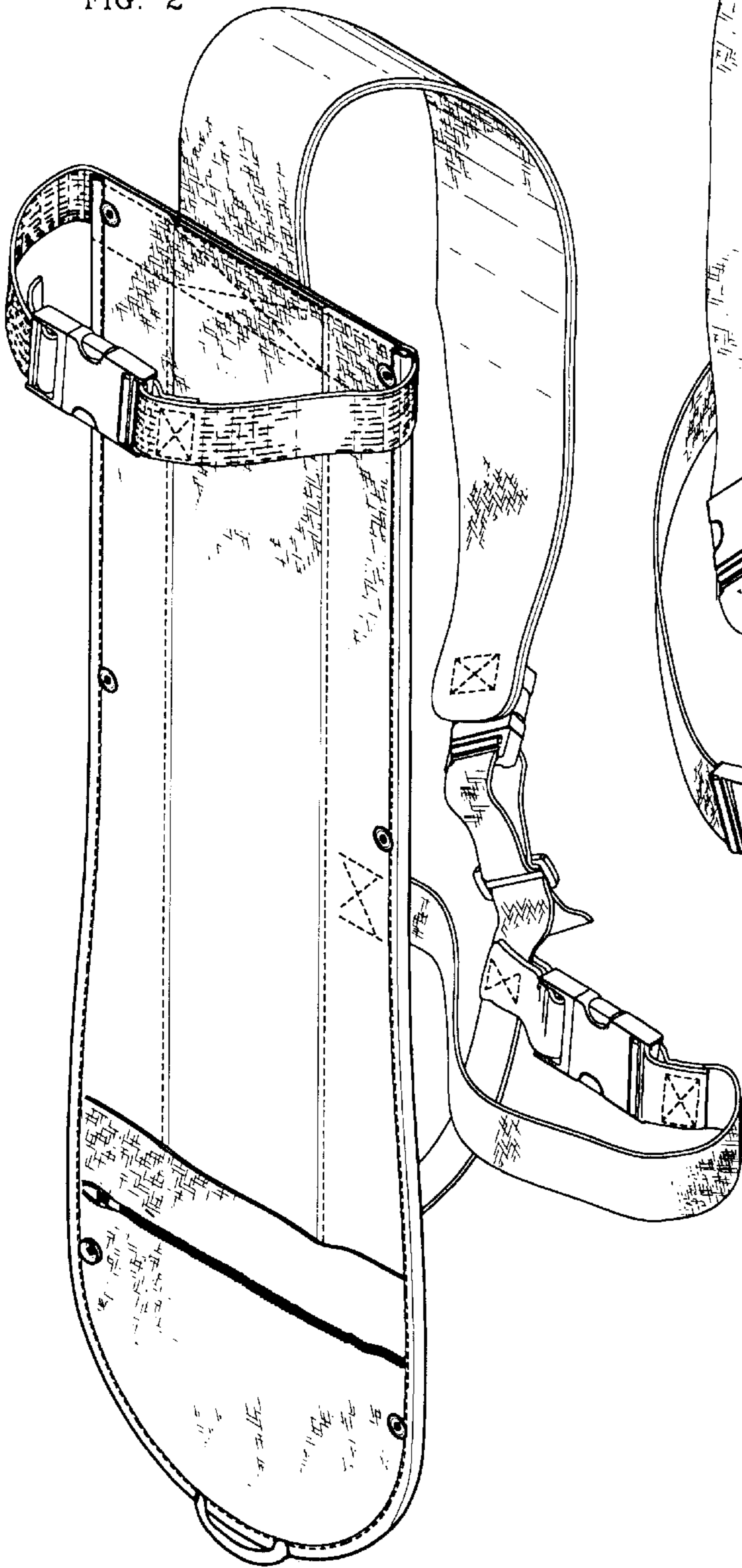


FIG. 3

