



US00D474876S

(12) **United States Design Patent**
Ortuño Santa

(10) **Patent No.:** **US D474,876 S**

(45) **Date of Patent:** **** May 27, 2003**

(54) **FOOTWEAR SOLE**

(76) **Inventor:** **Pedro Ortuño Santa**, Ctra. Jumilla, km 63, 30510 Yecla, Murcia (ES)

(**) **Term:** **14 Years**

(21) **Appl. No.:** **29/159,196**

(22) **Filed:** **Apr. 16, 2002**

(51) **LOC (7) Cl.** **02-04**

(52) **U.S. Cl.** **D2/952; D2/954; D2/955; D2/960**

(58) **Field of Search** D2/897, 902, 908, D2/909, 914, 946-948, 951-962, 967, 972, 977; 36/7.3, 7.5, 14, 25 R, 32 R, 3 B, 59 R

(56) **References Cited**

U.S. PATENT DOCUMENTS

D132,345 S	*	5/1942	Jezek et al.	
D282,693 S	*	2/1986	Brayer et al.	D2/952
4,667,717 A	*	5/1987	Graas	152/209 G
D341,246 S	*	11/1993	Lucarelli et al.	D2/953
D363,371 S	*	10/1995	Werman	D2/957
D363,815 S	*	11/1995	Lucarelli	D2/960
D407,891 S	*	4/1999	Edwards	D2/957
D424,287 S	*	5/2000	Edwards	D2/957
D424,288 S	*	5/2000	Erickson et al.	D2/960
D427,756 S	*	7/2000	Santa	D2/955
D429,062 S	*	8/2000	Santa	D2/954

D433,790 S	*	11/2000	Oliver	D2/957
D437,674 S	*	2/2001	Santa	D2/908
D446,634 S	*	8/2001	Santa	D2/953

* cited by examiner

Primary Examiner—Celia Murphy
(74) *Attorney, Agent, or Firm*—Intellectual Property Law Group LLP; Otto O. Lee; Juneko C. Jackson

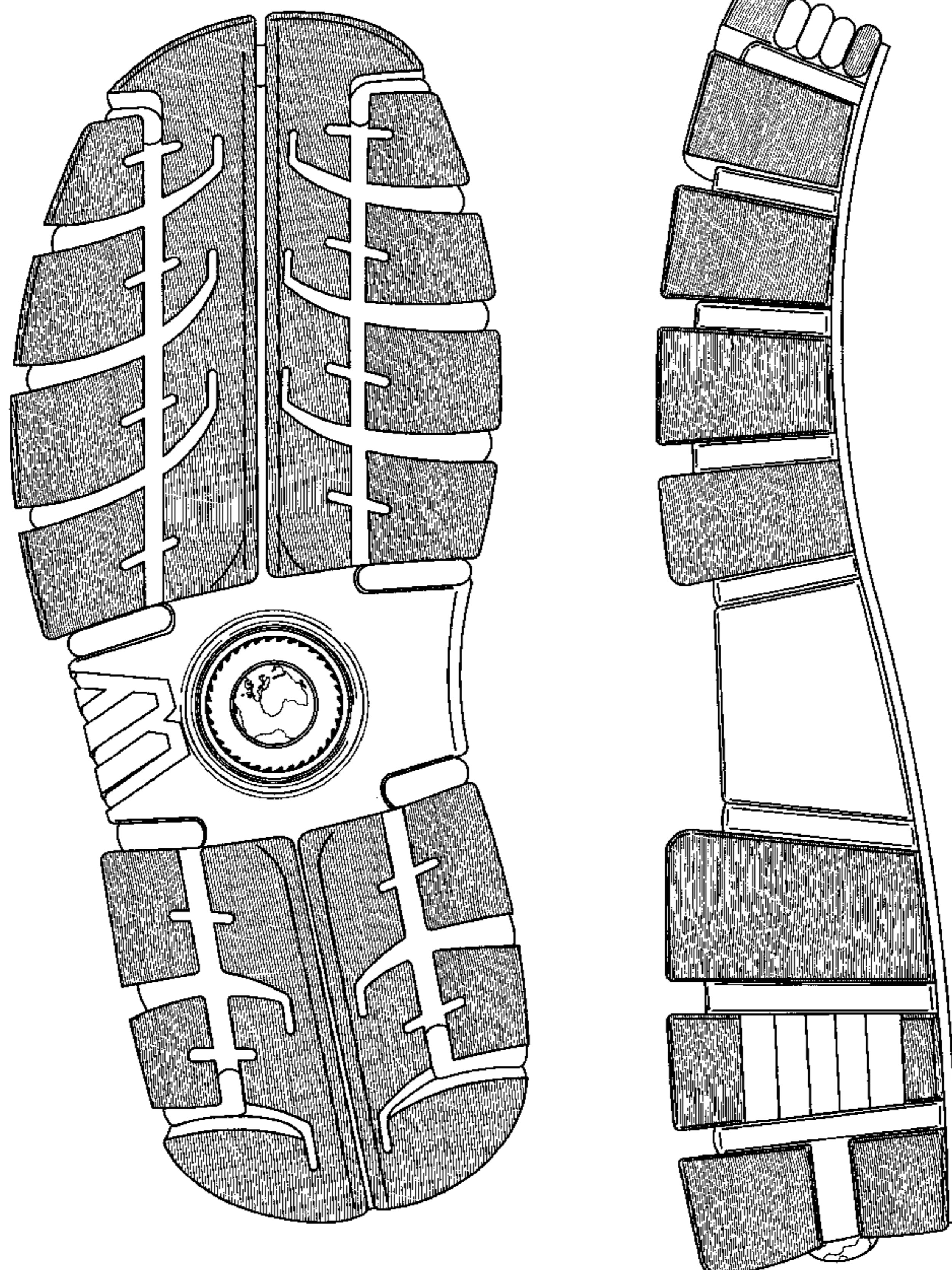
(57) **CLAIM**

The ornamental design for a footwear sole, as shown and described.

DESCRIPTION

FIG. 1 is the bottom view of a right footwear sole embodying my design.
 FIG. 2 is the left side view of a right footwear sole embodying my design.
 FIG. 3 is the right side view of a right footwear sole embodying my design.
 FIG. 4 is the rear elevational view of a right footwear sole embodying my design.
 FIG. 5 is the front elevational view of a right footwear sole embodying my design; and,
 FIG. 6 is the perspective view of a right footwear sole embodying my design.
 The broken lines showing a portion of the top view in FIG. 5 indicate possible details which form no part of the claim.

1 Claim, 3 Drawing Sheets



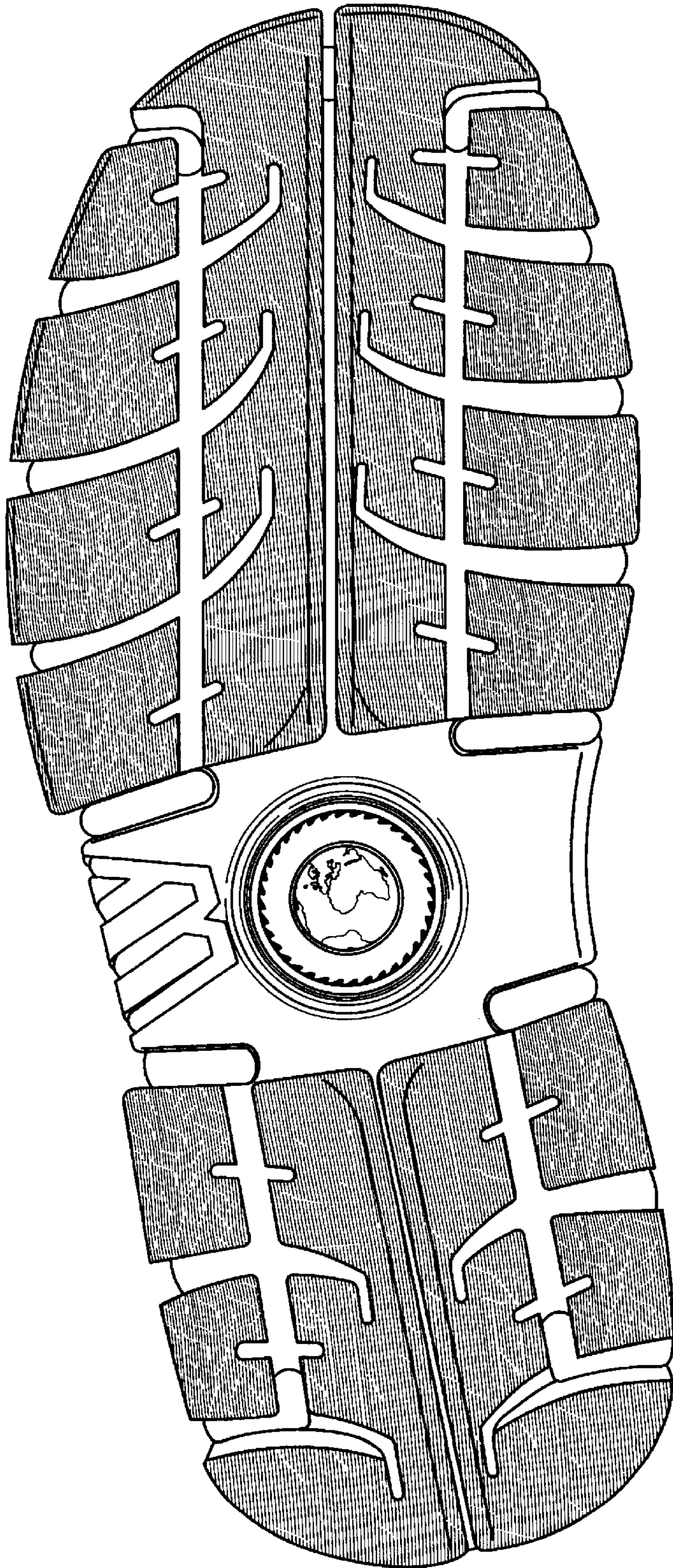


FIG. 1

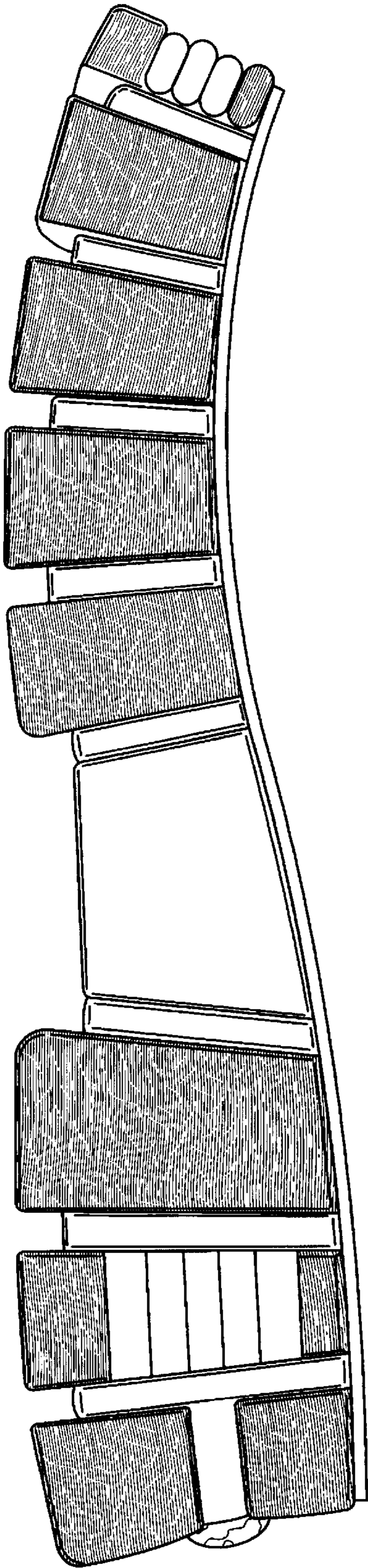


FIG. 2

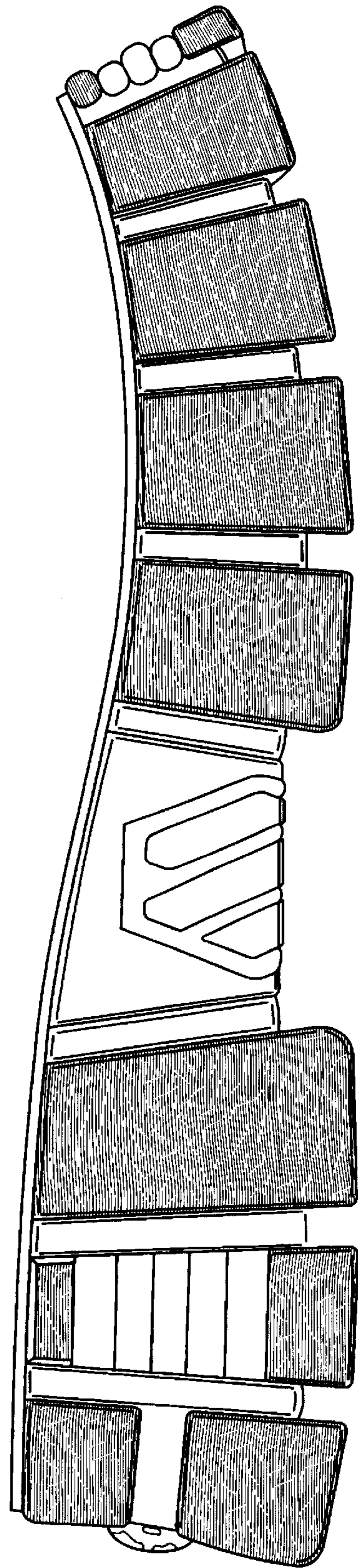


FIG. 3

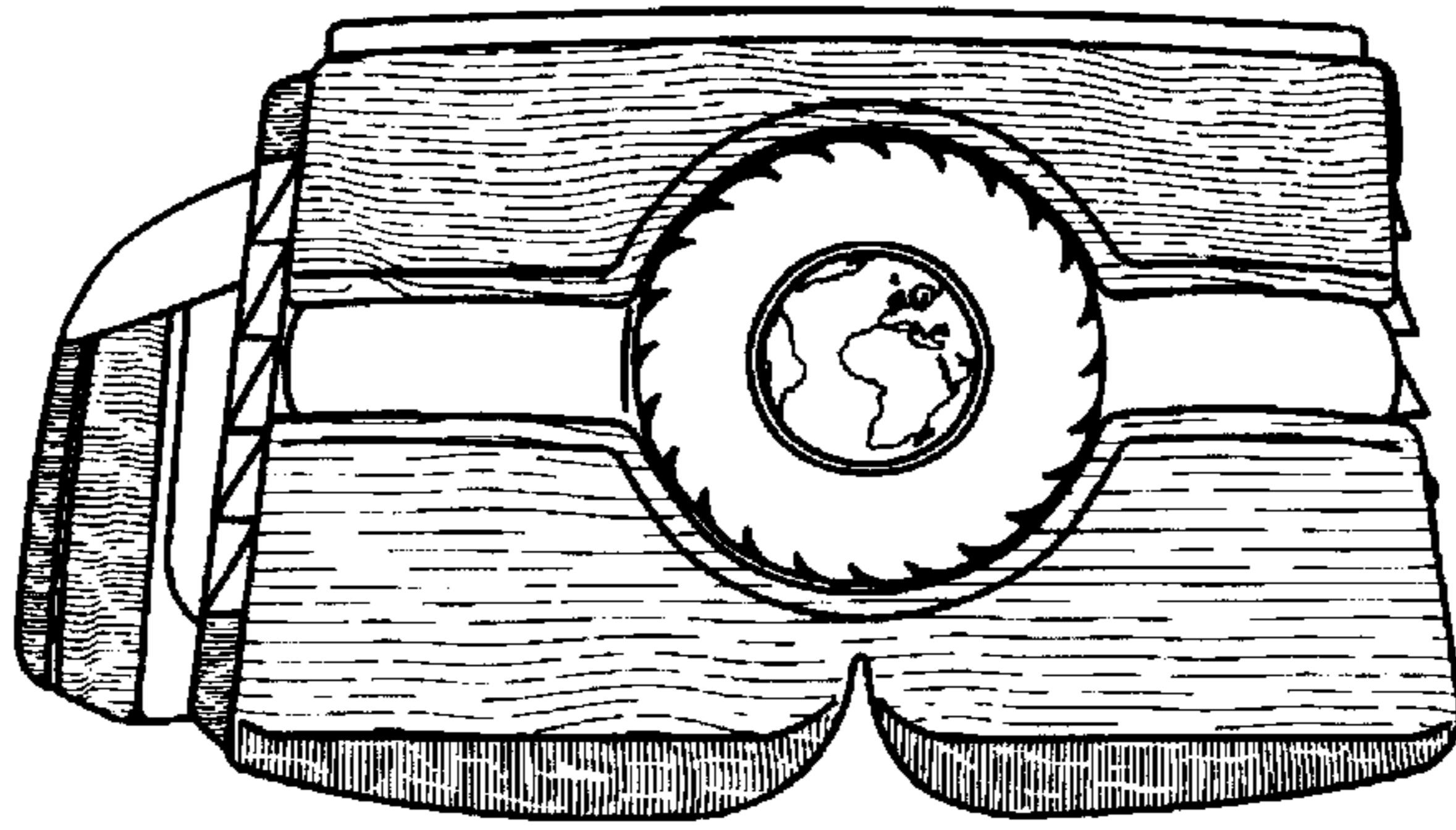


FIG. 4

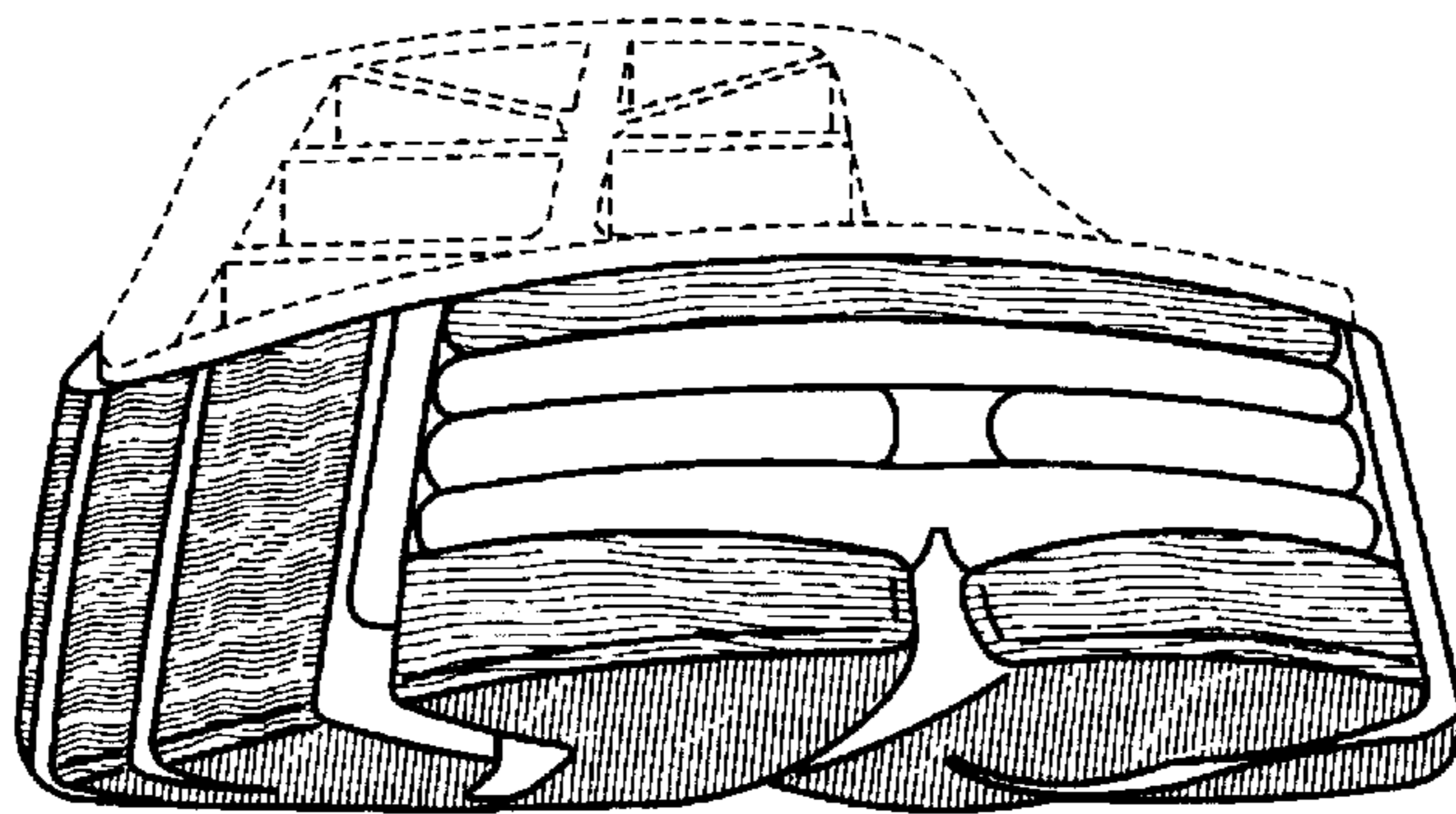


FIG. 5

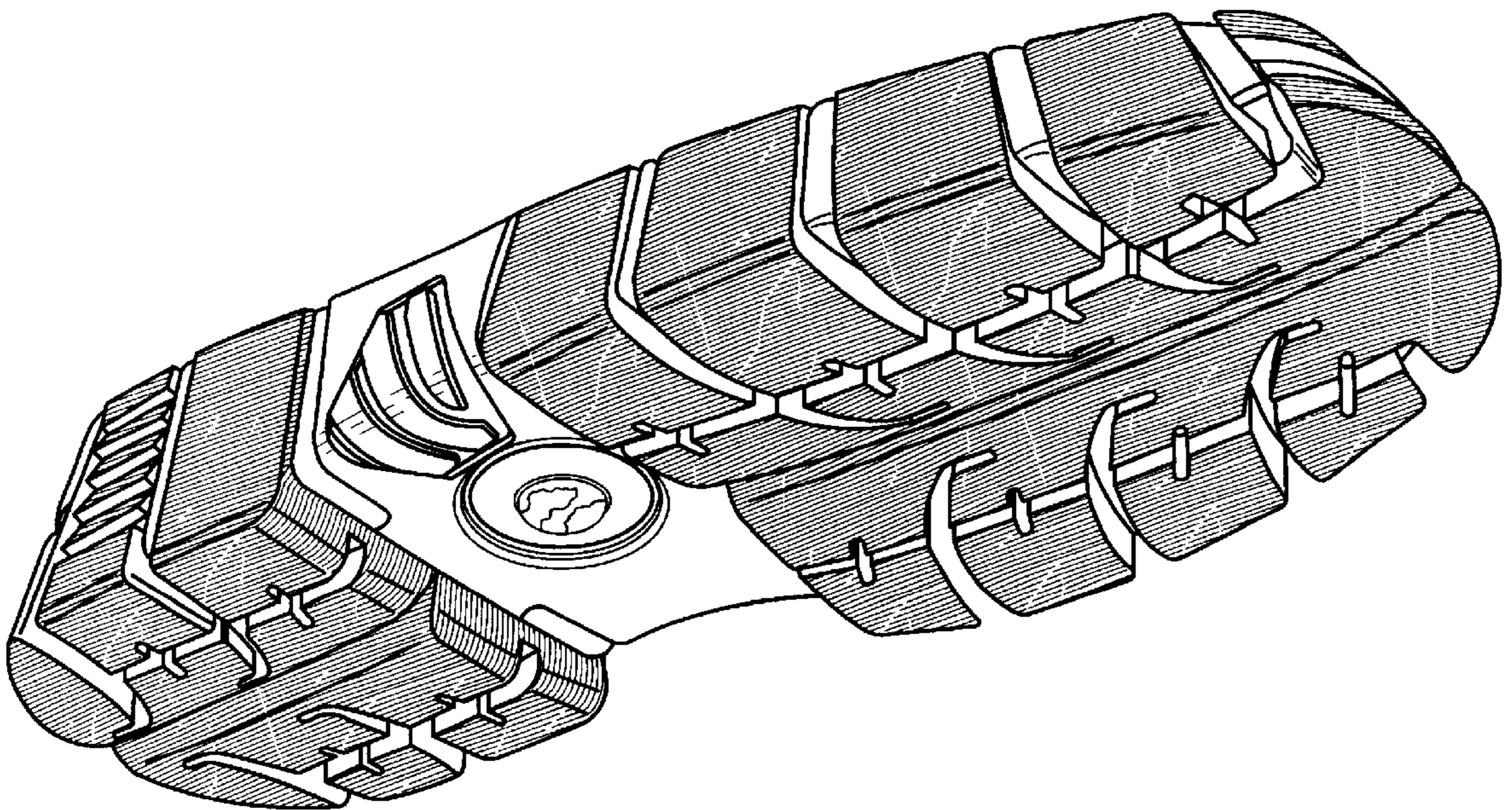


FIG. 6