



US00D474871S

(12) **United States Design Patent**  
**Bas**

(10) **Patent No.:** **US D474,871 S**

(45) **Date of Patent:** **\*\* May 20, 2003**

(54) **DISTANCE PIECE**

(76) Inventor: **Allan Bas**, Slåttervägen 14, SE-824 40  
Hudiksvall (SE)

(\*\*) Term: **14 Years**

(21) Appl. No.: **29/158,680**

(22) Filed: **Apr. 9, 2002**

(30) **Foreign Application Priority Data**

Oct. 10, 2001 (SE) ..... 01-1626

(51) **LOC (7) Cl.** ..... **09-08**

(52) **U.S. Cl.** ..... **D34/38**

(58) **Field of Search** ..... D8/349, 354, 355;  
D25/107, 108, 113, 114, 115, 117, 118,  
122, 124; D34/38; 108/53.1, 53.3, 53.5,  
55.1, 55.3, 55.5, 56.1, 56.3, 57.1, 901,  
902; 206/386, 595, 598, 599; 425/253;  
248/200.1, 346.02; 52/309.17

(56) **References Cited**

**U.S. PATENT DOCUMENTS**

D168,599 S \* 1/1953 Scott ..... D25/117  
4,772,519 A \* 9/1988 Irvine ..... 428/542.8  
5,094,175 A \* 3/1992 Christie ..... 108/56.1

5,351,628 A \* 10/1994 Breezer et al. .... 108/56.1  
D354,606 S \* 1/1995 Pigott et al. .... D34/38  
5,483,899 A \* 1/1996 Christie ..... 108/901  
D407,178 S \* 3/1999 Evans ..... D34/38  
D412,047 S \* 7/1999 Pigott et al. .... D34/38

\* cited by examiner

*Primary Examiner*—Doris V. Coles  
*Assistant Examiner*—Elizabeth Albert  
(74) *Attorney, Agent, or Firm*—Burns, Doane, Swecker &  
Mathis, L.L.P.

(57) **CLAIM**

The ornamental design for a distance piece, as shown and described.

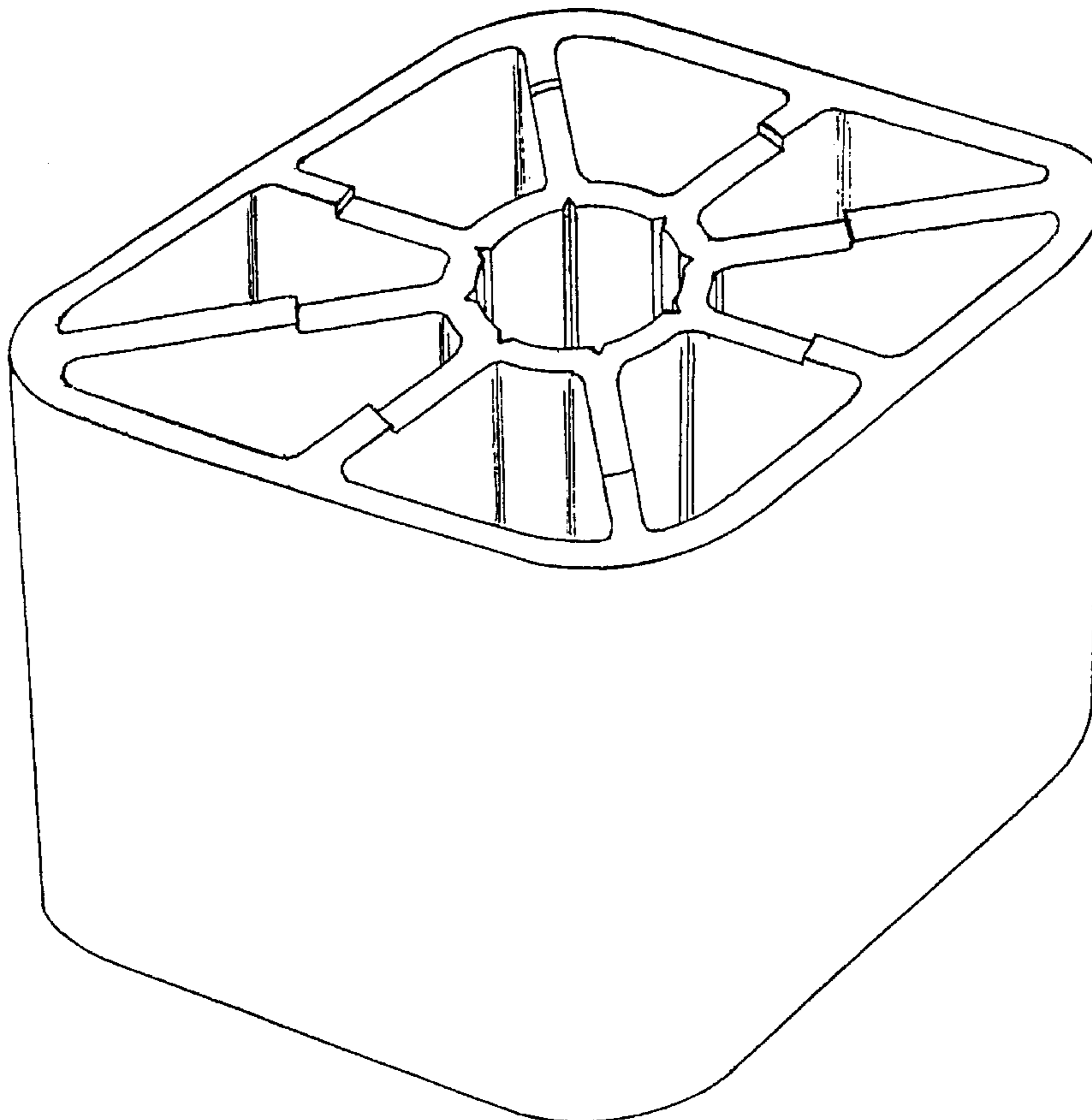
**DESCRIPTION**

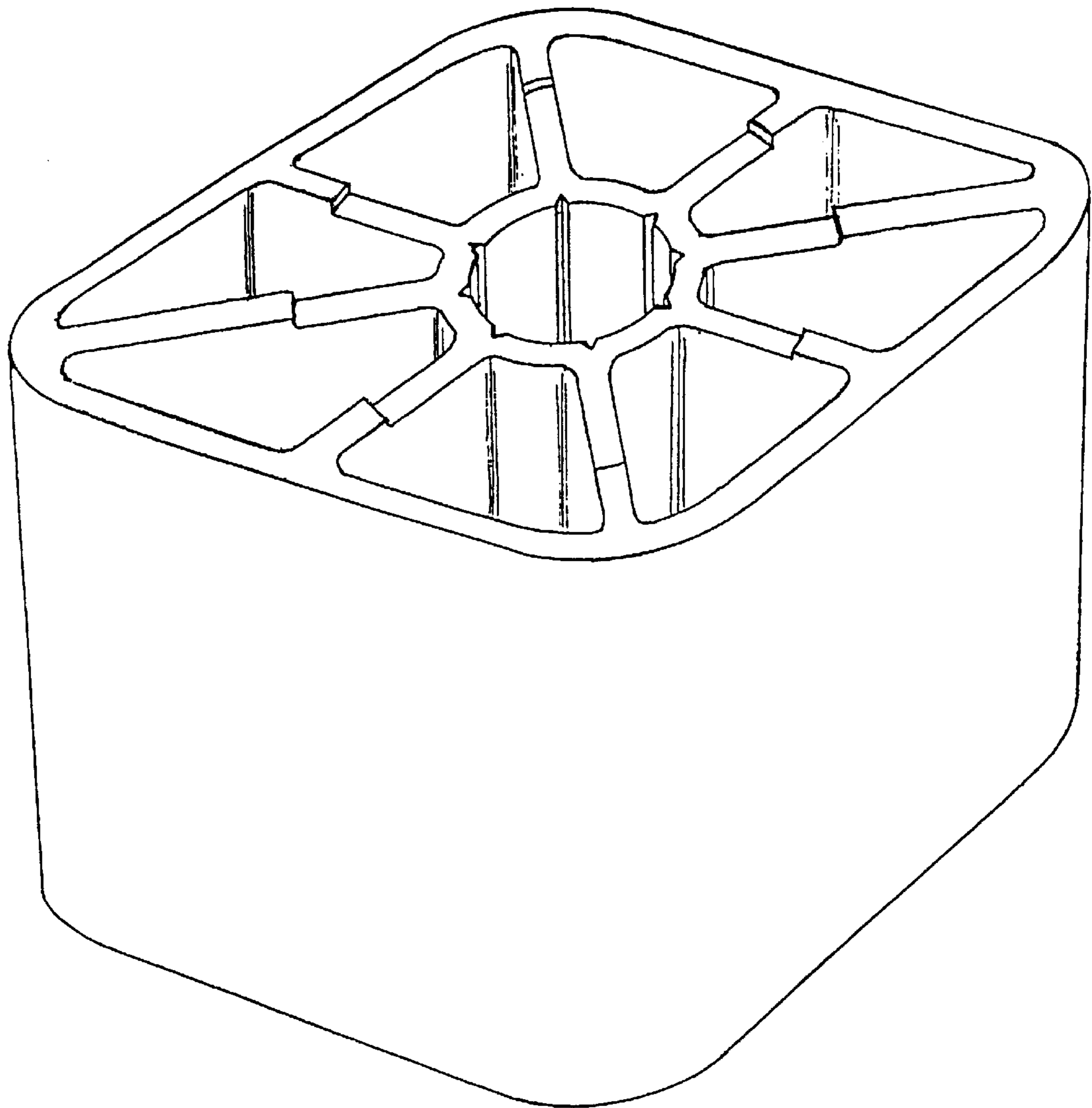
FIG. 1 is a top, front, and side perspective view of a distance piece showing my new design; the rear and other side views being mirror images thereof.

FIG. 2 is a bottom, front, and side perspective view thereof; the rear and other side views being mirror images thereof; and,

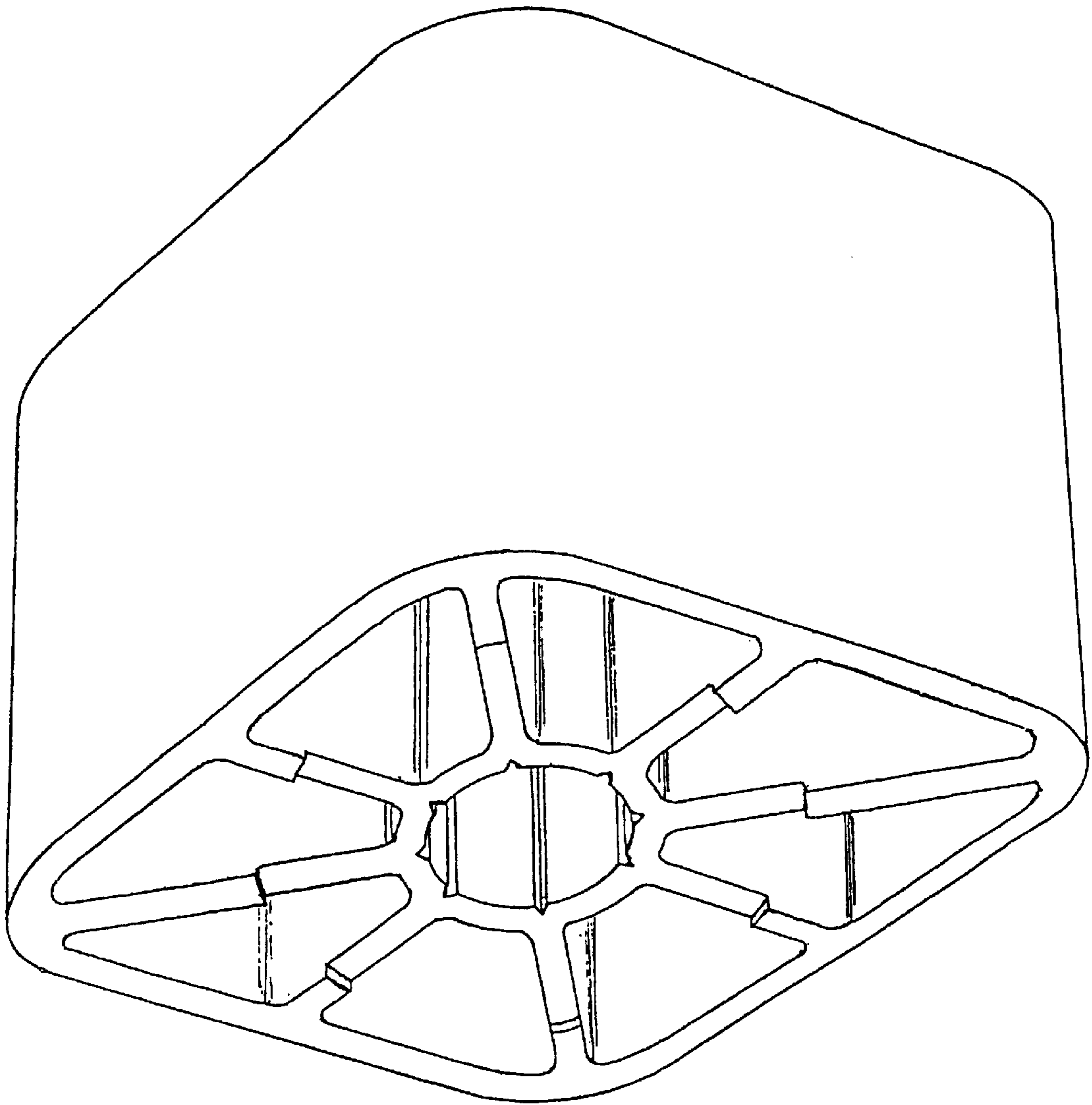
FIG. 3 is a top plan view thereof; the bottom plan view being a mirror image thereof.

**1 Claim, 3 Drawing Sheets**

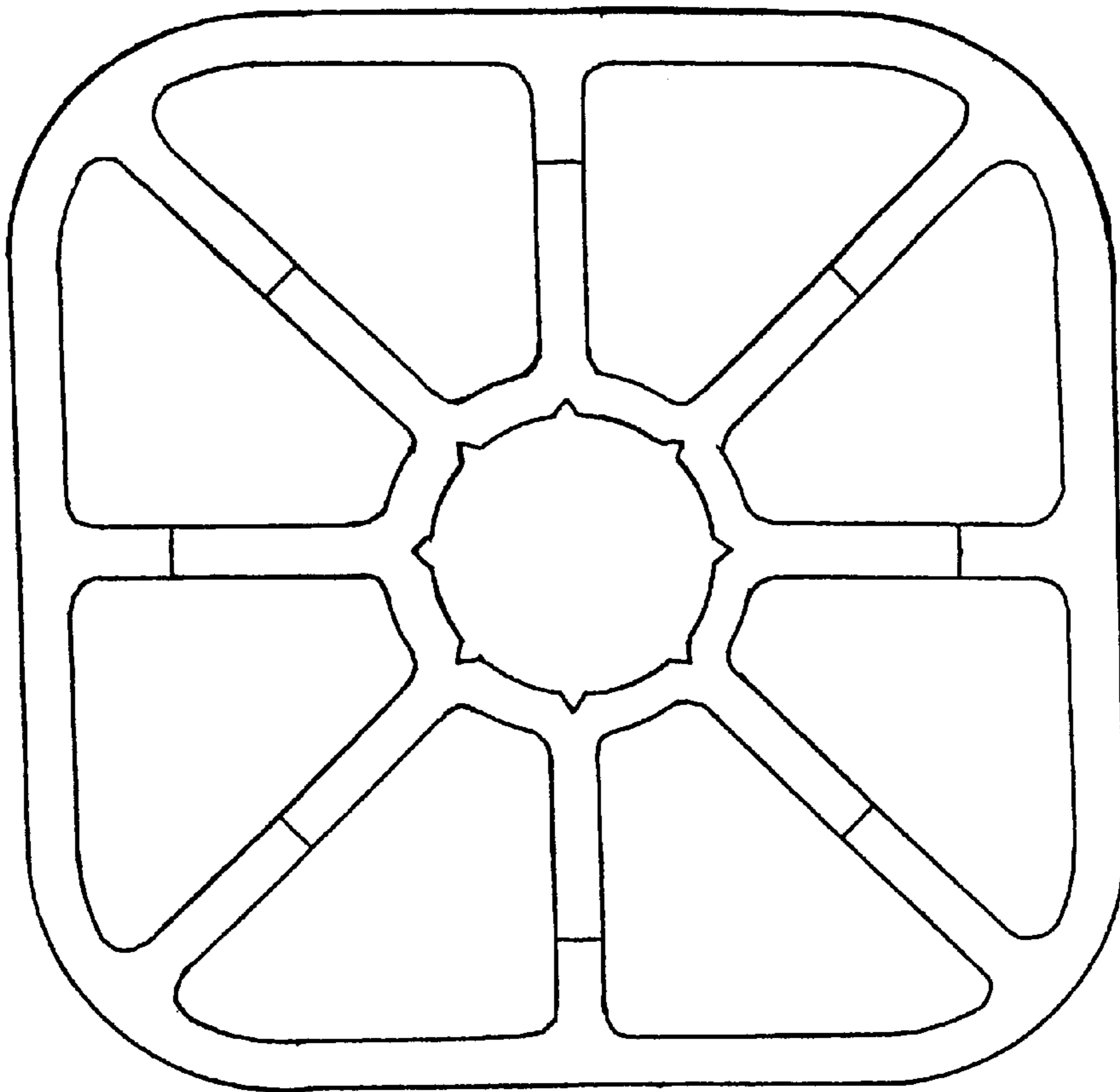




**FIG. 1**



**FIG. 2**



**FIG. 3**