



US00D474867S

(12) **United States Design Patent**
Robinson

(10) **Patent No.:** **US D474,867 S**

(45) **Date of Patent:** **** May 20, 2003**

(54) **HAND HELD VACUUM**

(75) Inventor: **Glenn Robinson**, Monmouth Junction, NJ (US)

(73) Assignee: **Think Tek, Inc.**, Parsippany, NJ (US)

(**) Term: **14 Years**

(21) Appl. No.: **29/139,099**

(22) Filed: **Mar. 23, 2001**

(51) **LOC (7) Cl.** **15-05**

(52) **U.S. Cl.** **D32/18**

(58) **Field of Search** D32/17-18, 21, D32/25, 31; D28/50; D30/158, 199; D8/30; 15/344, 329, 320, 350, 352, 413, 345, 409, 32; 132/112; 68/222; 134/172, 198, 105

(56) **References Cited**

U.S. PATENT DOCUMENTS

D192,345 S	*	3/1962	Nerheim	D32/18
D211,751 S		7/1968	Richards et al.		
4,209,875 A		7/1980	Pugh et al.		
D261,851 S		11/1981	Masterson et al.		
4,380,845 A		4/1983	Miller et al.		
4,421,964 A		12/1983	Buchtel		
4,573,234 A		3/1986	Kochte et al.		
4,573,237 A		3/1986	Kochte et al.		
4,577,365 A		3/1986	Yuen		
D290,893 S	*	7/1987	Essex	D32/18
4,682,384 A		7/1987	Prahl et al.		
D294,412 S		2/1988	Sadashima et al.		
4,745,654 A		5/1988	Yamamoto et al.		
D298,874 S	*	12/1988	Nakamura	D32/18
D304,250 S		10/1989	Hassel et al.		
4,920,608 A		5/1990	Hult et al.		
4,924,548 A		5/1990	Touya et al.		
4,928,347 A		5/1990	Krasznai et al.		
4,939,810 A		7/1990	Ataka		
D312,516 S	*	11/1990	Yuen	D32/18
4,967,443 A		11/1990	Krasznai et al.		
4,993,106 A		2/1991	Hult et al.		
D315,623 S	*	3/1991	Bartasevich et al.	D32/18
5,020,187 A		6/1991	Kosten et al.		

5,025,529 A		6/1991	Hult et al.		
D325,271 S	*	4/1992	Osit	D32/18
5,421,058 A		6/1995	Zahuranec et al.		
5,500,978 A		3/1996	Levine		
5,504,970 A		4/1996	Neshat et al.		
5,561,885 A		10/1996	Zahuranec et al.		
D379,691 S		6/1997	Moine et al.		
5,699,585 A		12/1997	Tomooka et al.		
5,966,774 A		10/1999	Bone et al.		
5,983,444 A		11/1999	Jacobs et al.		
D422,763 S		4/2000	Tsuda		
6,108,864 A		8/2000	Thomas et al.		
6,125,501 A		10/2000	Yip		

OTHER PUBLICATIONS

Web Page entitled 800WEB MALL, ©2000, 2001 wysiwyg://6/http://www.800webmall...me=TT49AMNW&shopname=Turbo%20Tiger, Jun. 11, 2001.
 Web page entitled Hand vacuum cleaners, http://homepage.dtn.ntl.com/paul.linnell/electricity/vacuums%20hand.html, Feb. 23, 2001.
 Web page entitled The Shark Euro-Pro, http://abcvacuum.com/prod/shark.htm, Feb. 23, 2001.
 Web page entitled battery, http://johnlight.com/johnlite/battery.htm, Feb. 9, 2001.
 Web page entitled battery-1.jpg, http://johnlight.com/johnlite/battery-1.htm, Feb. 9, 2001.

(List continued on next page.)

Primary Examiner—Ruth McInroy

(74) *Attorney, Agent, or Firm*—Cooper & Dunham LLP

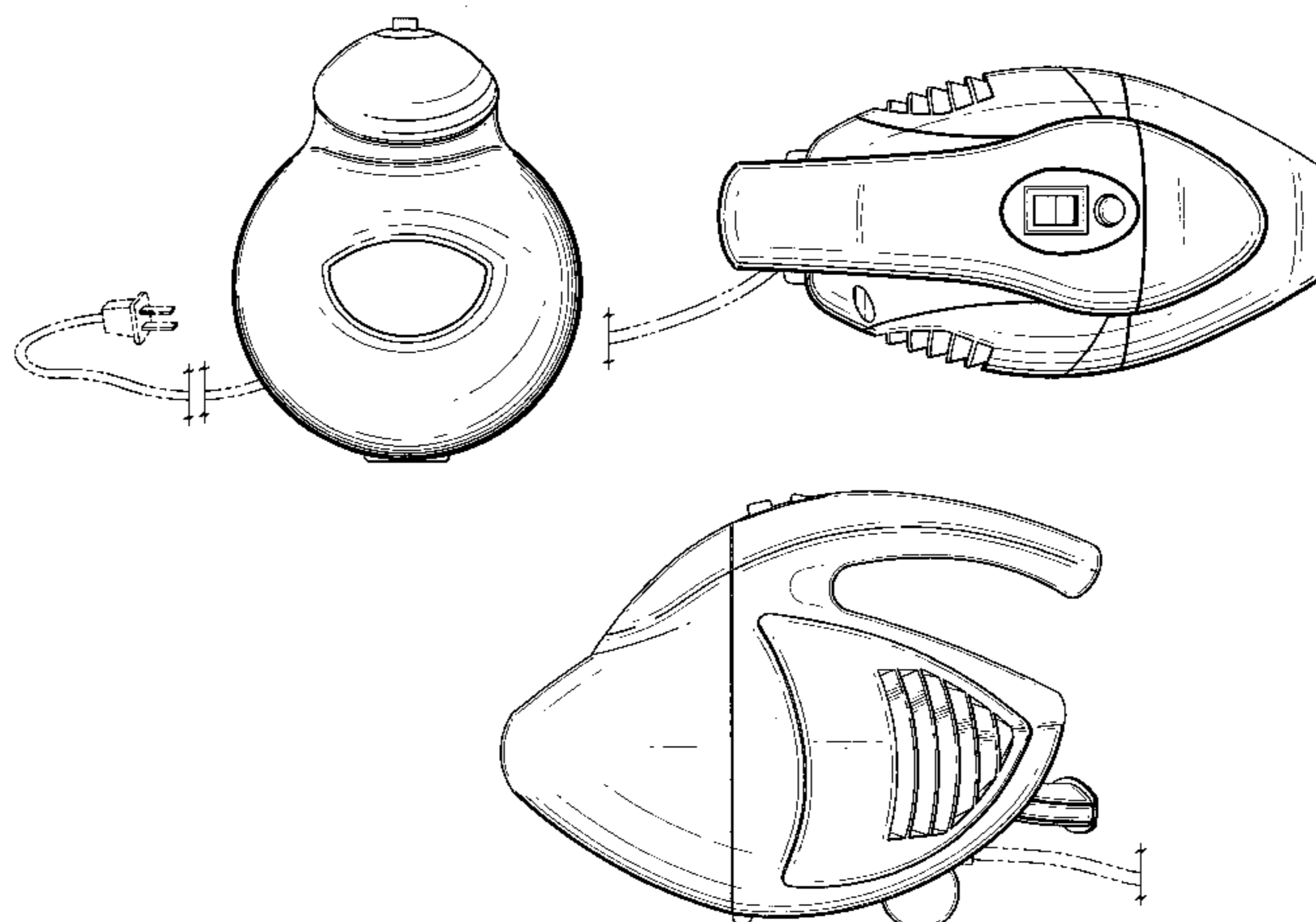
(57) **CLAIM**

The ornamental design for a hand held vacuum, as shown and described.

DESCRIPTION

FIG. 1 is a front view of a hand held vacuum showing our new design;
 FIG. 2 is a rear view thereof;
 FIG. 3 is a top view thereof;
 FIG. 4 is a bottom view thereof;
 FIG. 5 is a left hand side view thereof; and,
 FIG. 6 is a right hand side view thereof.

1 Claim, 6 Drawing Sheets



OTHER PUBLICATIONS

Web Page entitled Turbo Vac, <http://shop.store.yahoo.com/hedonisticplanet/turobovac.html>, Feb. 9, 2001.

Web page entitled Hoover Outlet Homepage, <http://www.hooverattic.com/db/xq/asp/catid.3/qx/products.htm>, Feb. 9, 2001.

Web page entitled Classic Hand Vac, http://www.dirtdevil.com/products/HandVacs/hand_vac.cfm, Feb. 9, 2001.

Web page entitled Ultra Hand Vac, <http://www.dirtdevil.com/products/HandVacs/ultrahandvac.cfm>, Feb. 9, 2001.

Web page entitled Dust Devil <http://www.dirtdevil.com/products/HandVacs/DustDevil.cfm>, Feb. 9, 2001.

Web page entitled Dust Devil Deluxe <http://www.dirtdevil.com/products/HandVacs/DustDevilDeluxe.cfm> Feb. 9, 2001.

Web page entitled Yahoo! Shopping, <http://all.search.shopping.yahoo.com/search/all?P=all&p=%2Bdustbuster&cl=dmiys/dustbuster>, Feb. 8, 2001.

Web page entitled BuyHot TvProducts.com, <http://buyhot-tvproducts.com>, Feb. 2, 2001.

Web page entitled Eureka 51A Corded Hand Vac, [wysiwyg://190/http://shopping.altavista.com/product.sdc?p=929896](http://shopping.altavista.com/product.sdc?p=929896), Feb. 2, 2001.

Web page entitled Dirt Devil Hand Vac, <http://www.dmart2000.com/dirdevhanvac.html>, Feb. 2, 2001.

Web page entitled Sanyo Vacuums, <http://www.dmart2000.com/sanyovacuums.html>, Feb. 2, 2001.

Web page entitled Product Search: hand vacuum, [wysiwyg://193/http://shopping.altavista.com/product.sdc?p=929896](http://shopping.altavista.com/product.sdc?p=929896), Feb. 2, 2001.

Web page entitled Product Search: hand vacuum, [wysiwyg://197/http://shopping.altavista.com/product.sdc?p=929896](http://shopping.altavista.com/product.sdc?p=929896), Feb. 2, 2001.

Web page entitled Product Search : hand vacuum, [wysiwyg://201/http://shopping.altavista.com/product.sdc?p=929896](http://shopping.altavista.com/product.sdc?p=929896), Feb. 2, 2001.

Web page entitled Delonghi vacuums, <http://www.dmart2000.com/delvac.html>, Feb. 2, 2001.

Web page entitled Great buys on Transformax 3-IN-1 v . . . e same vacuuming power as a Kirby, <http://drvacsrus.com/trans.htm>, Feb. 2, 2001.

Web page entitled Hand Vacs, <http://www.samsungvacuum-cleaners.com/pages/Hand%20vacs.html>, Feb. 2, 2001.

Web page entitled VAC114, <http://www.samsungvacuum-cleaners.com/pages/VAC114.html>, Feb. 2, 2001.

Web page entitled Hoover S1147 Twist & Vac, [wysiwyg://177http://www.compactappliance.com/compactappliance/hoovsltwisva.html](http://www.compactappliance.com/compactappliance/hoovsltwisva.html), Feb. 2, 2001.

Web page entitled Euro-Pro Shark Turbo Hand Vacuum, http://vacuumsunlimited.com/New2000/Euro_Pro_Shark_htm.htm, Jul. 31, 2000.

* cited by examiner

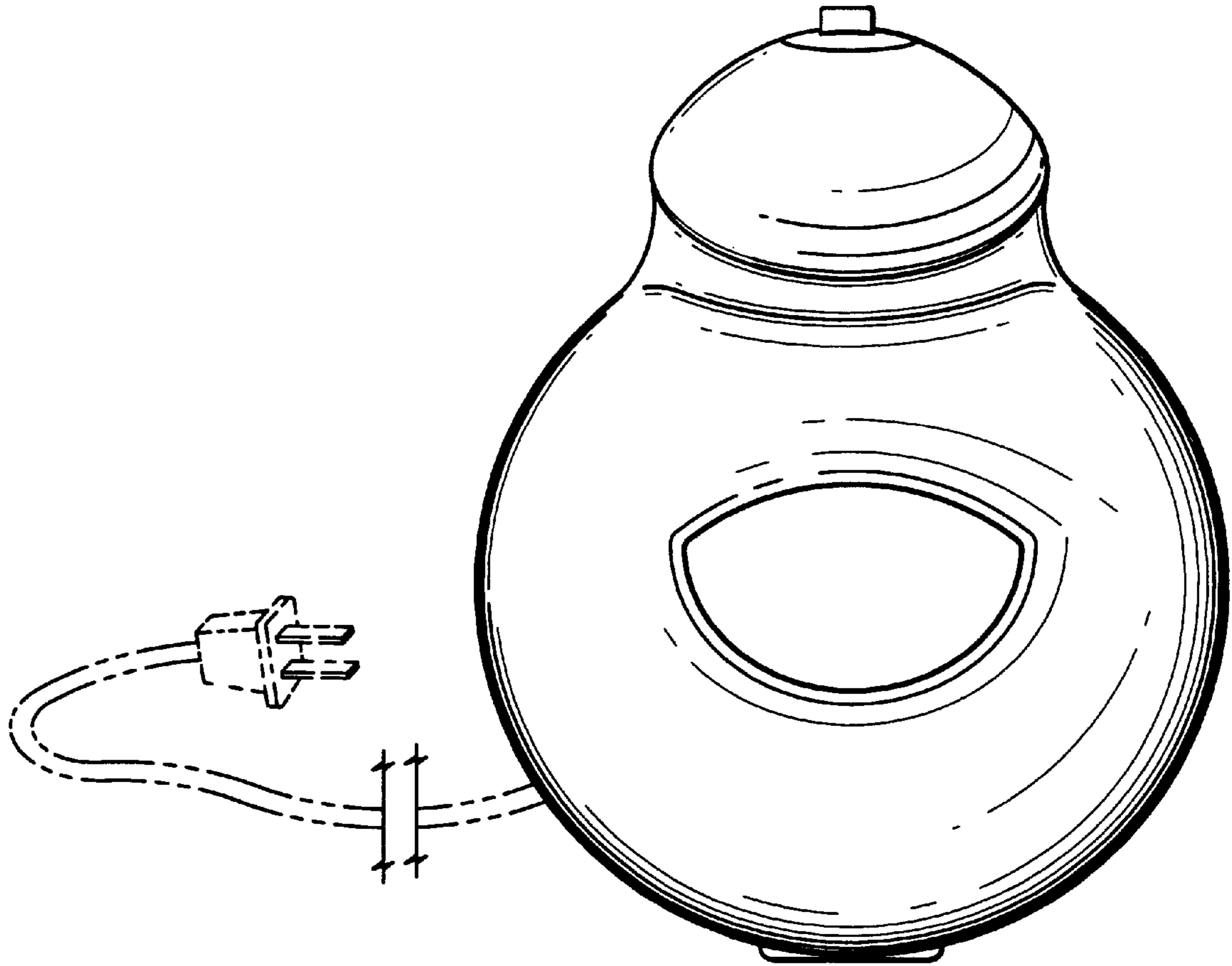


FIG. 1

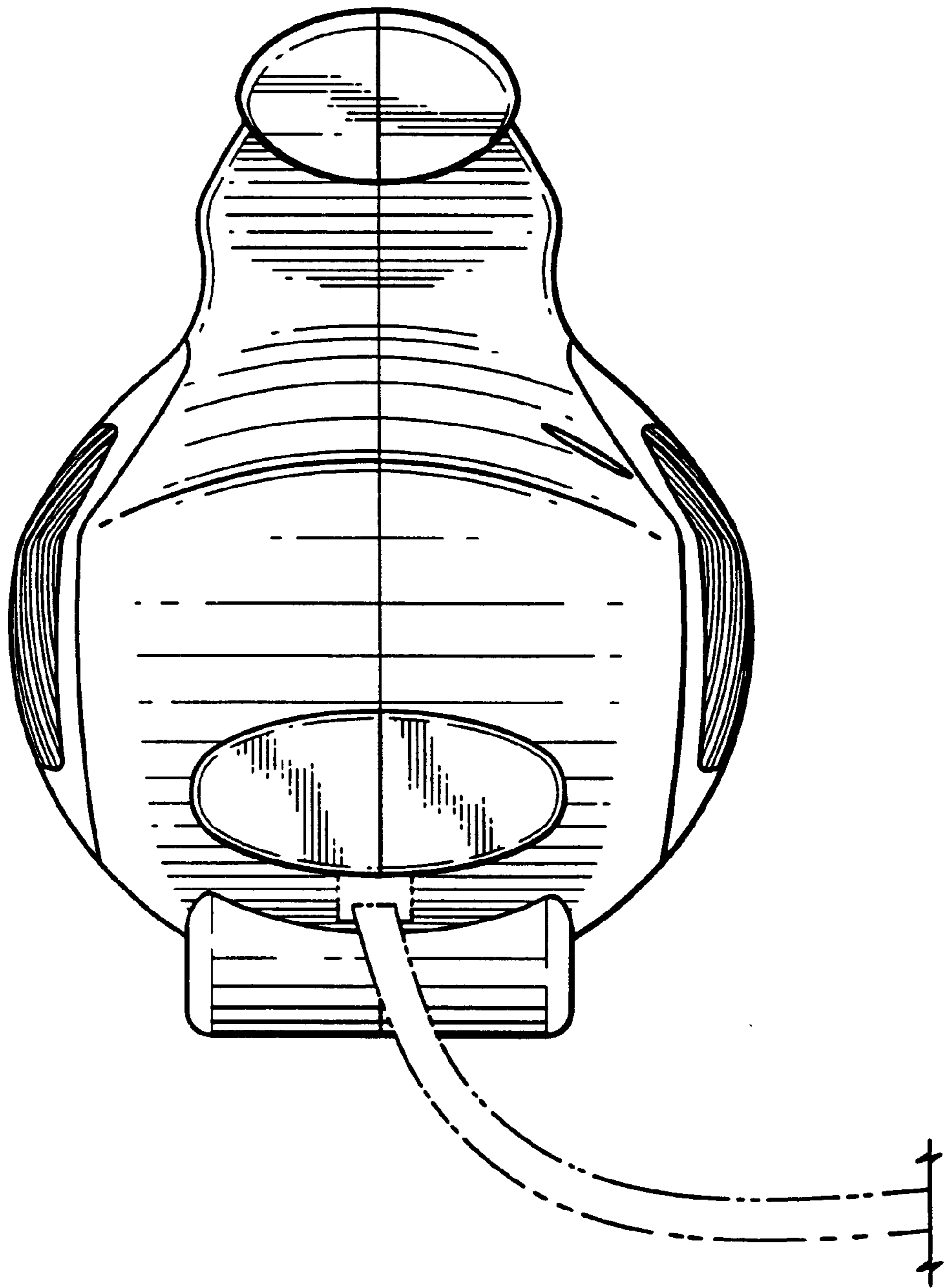


FIG. 2

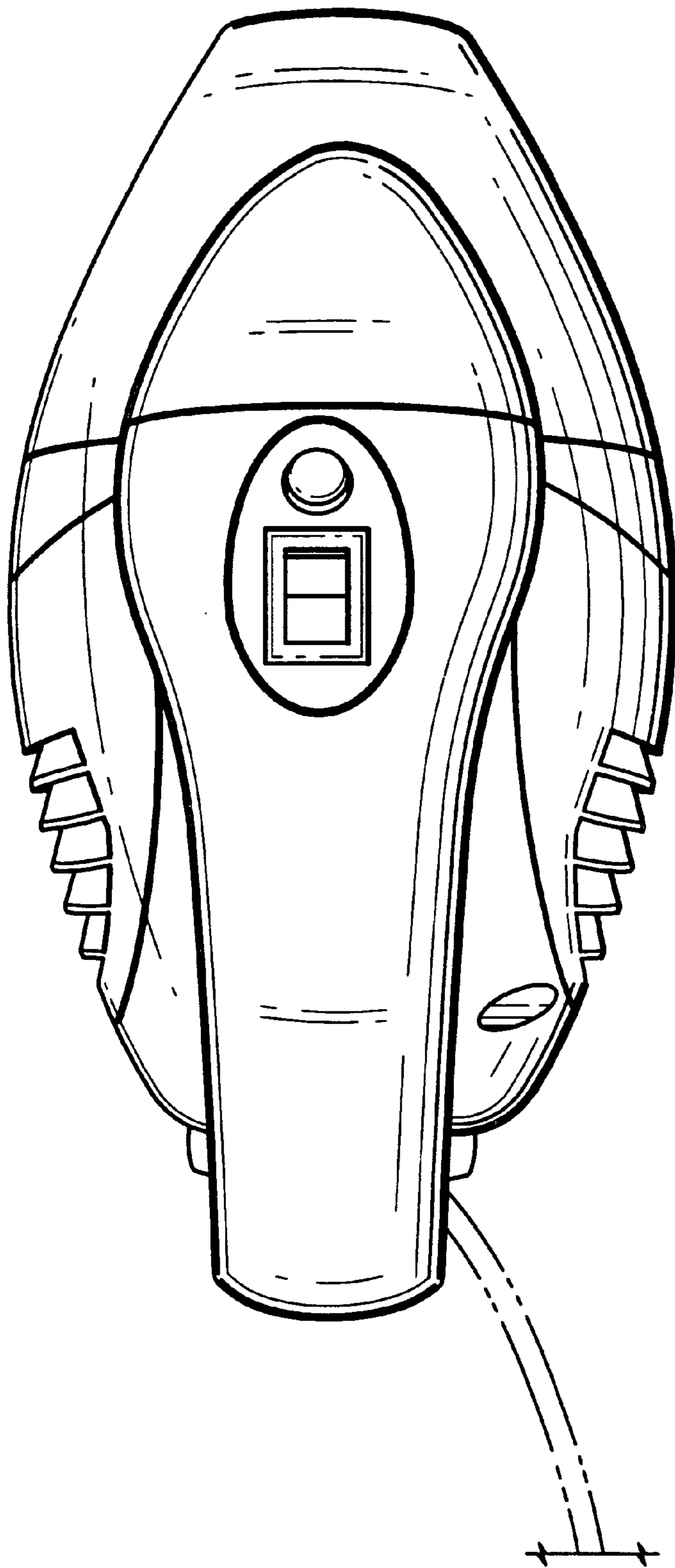


FIG. 3

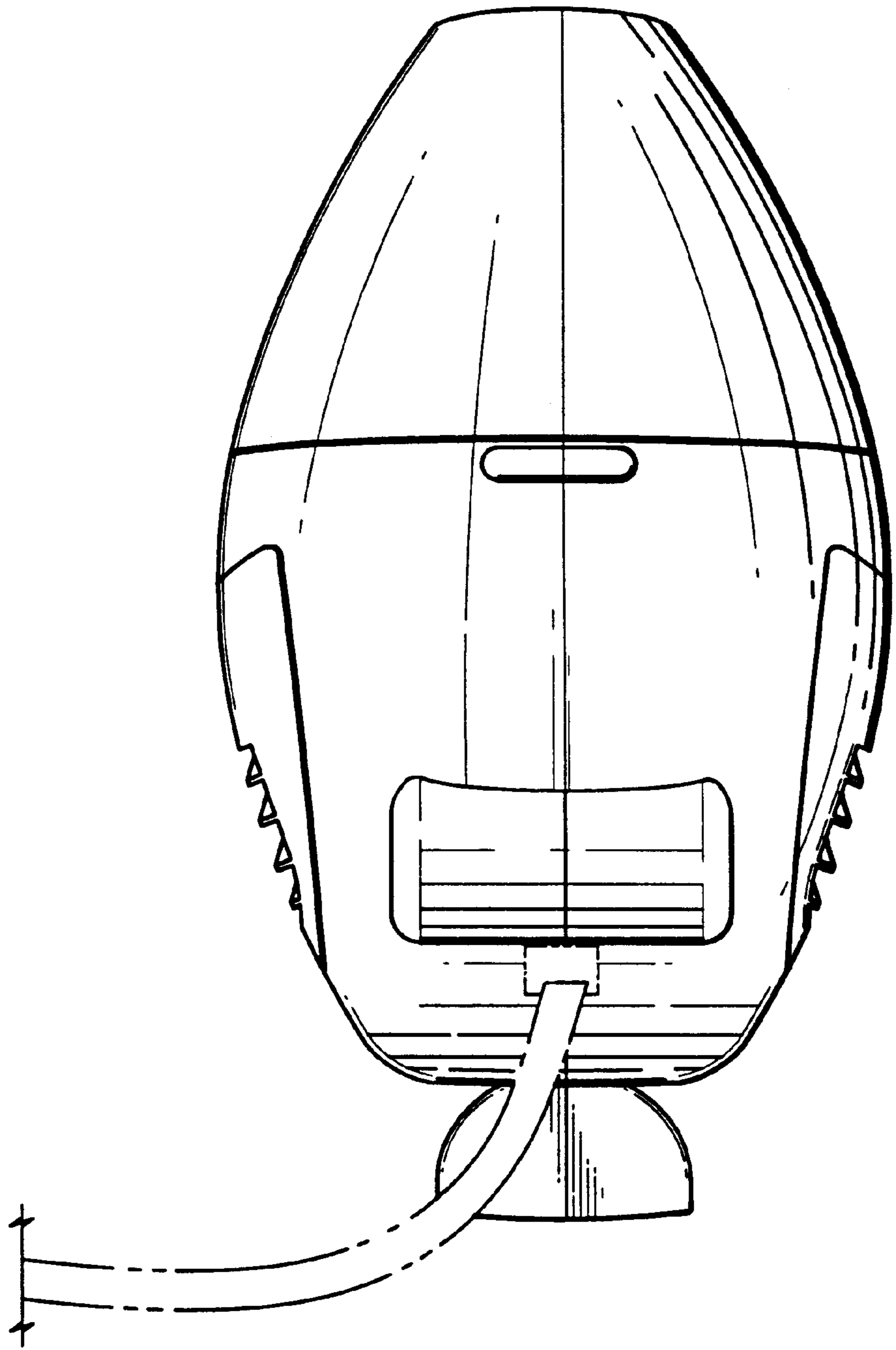


FIG. 4

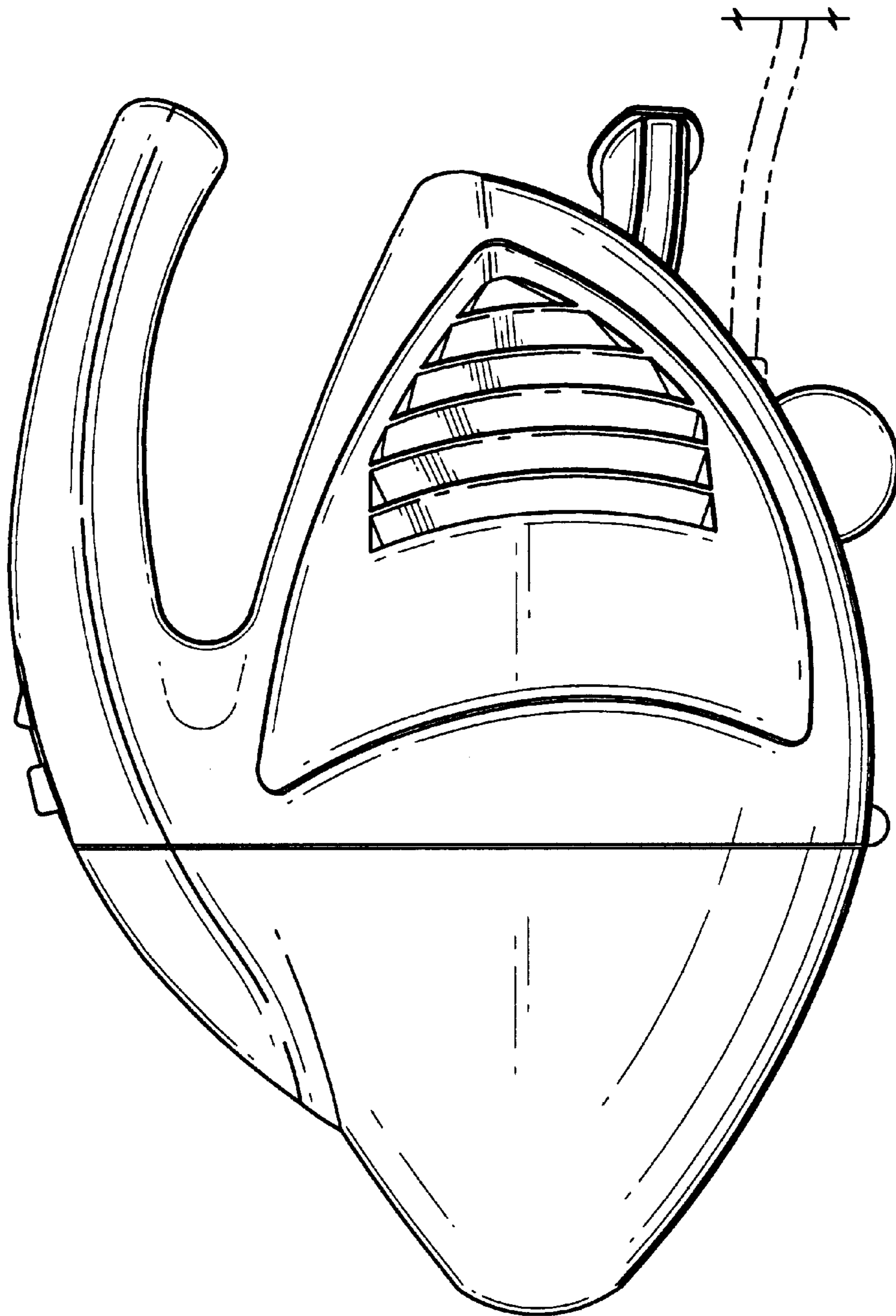


FIG. 5

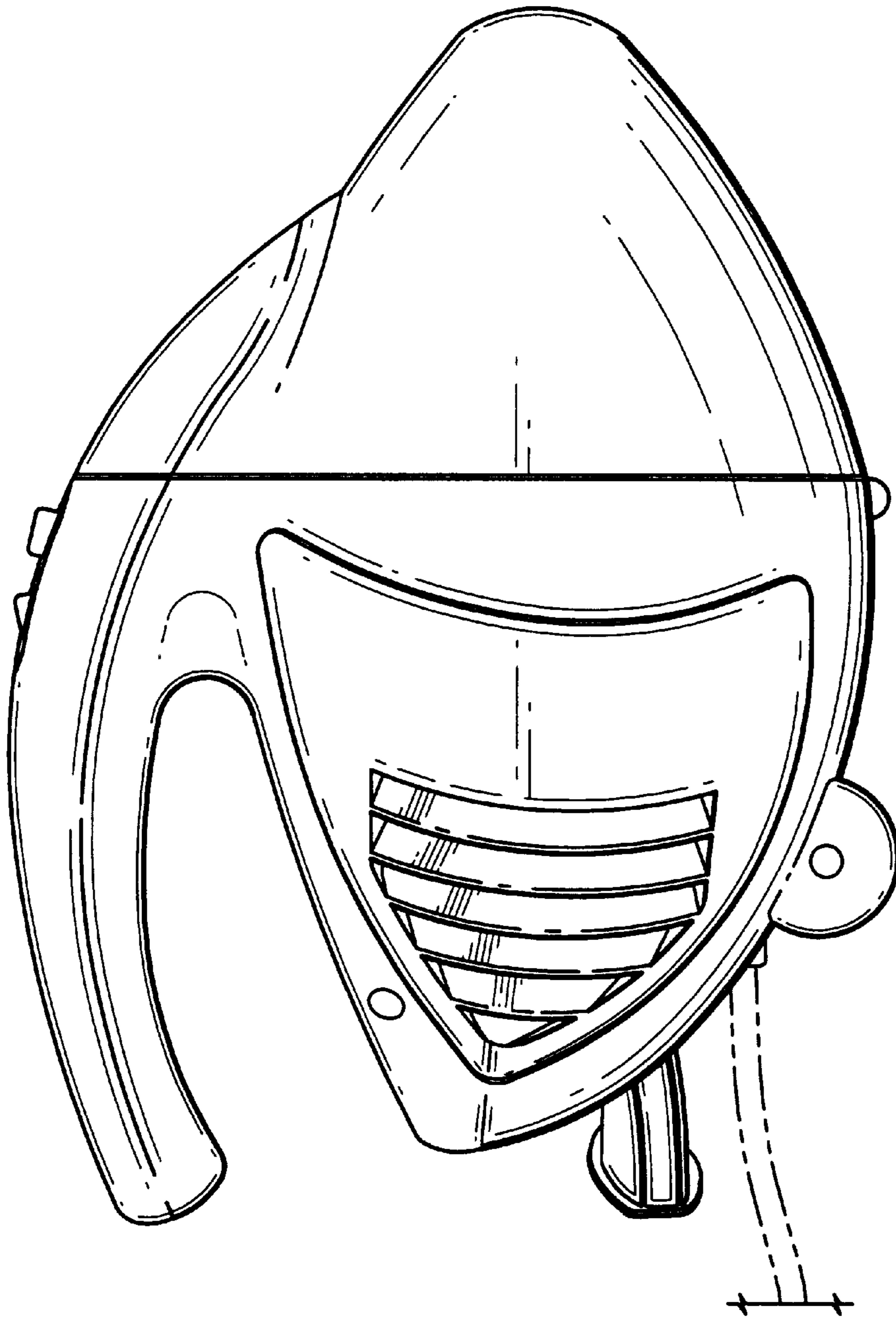


FIG. 6