



US00D474866S

(12) **United States Design Patent**
Wendt

(10) **Patent No.:** **US D474,866 S**

(45) **Date of Patent:** **** May 20, 2003**

(54) **DISHWASHER CONTROL PANEL**

(75) Inventor: **Karl R. C. Wendt**, Jackson, TN (US)

(73) Assignee: **Maytag Corporation**, Newton, IA (US)

(**) Term: **14 Years**

(21) Appl. No.: **29/167,733**

(22) Filed: **Sep. 19, 2002**

Related U.S. Application Data

(62) Division of application No. 29/160,670, filed on May 15, 2002.

(51) **LOC (7) Cl.** **15-05**

(52) **U.S. Cl.** **D32/3**

(58) **Field of Search** D32/1-3, 5-6,
D32/8, 10, 12, 25, 28; 137/374; 15/DIG. 7,
DIG. 11; 134/135, 56 D, 57 D, 58 D; 312/109;
68/3 R, 12.26, 12.27; D7/339, 348-349;
34/108, 139, 524

(56) **References Cited**

U.S. PATENT DOCUMENTS

- 5,365,959 A 11/1994 Favaro
- D403,471 S 12/1998 Brace
- D425,676 S 5/2000 Roberts
- D437,982 S 2/2001 Jeong
- D438,352 S 2/2001 Jeong
- D441,149 S 4/2001 Bournay, Jr. et al.

- D455,874 S * 4/2002 Resuello et al. D32/3
- D456,572 S * 4/2002 Resuello et al. D32/6
- D460,224 S * 7/2002 Richardson D32/2

FOREIGN PATENT DOCUMENTS

- EP 0 728 437 A1 8/1996
- JP 411346981 A 12/1999

* cited by examiner

Primary Examiner—Louis S. Zarfes

Assistant Examiner—Robert A. Delehanty

(74) *Attorney, Agent, or Firm*—McKee, Voorhees & Sease, P.L.C.

(57) **CLAIM**

I claim the ornamental design for a dishwasher control panel, substantially as shown and described.

DESCRIPTION

FIG. 1 is a perspective view of a dishwasher having a control panel with the design of the present invention.

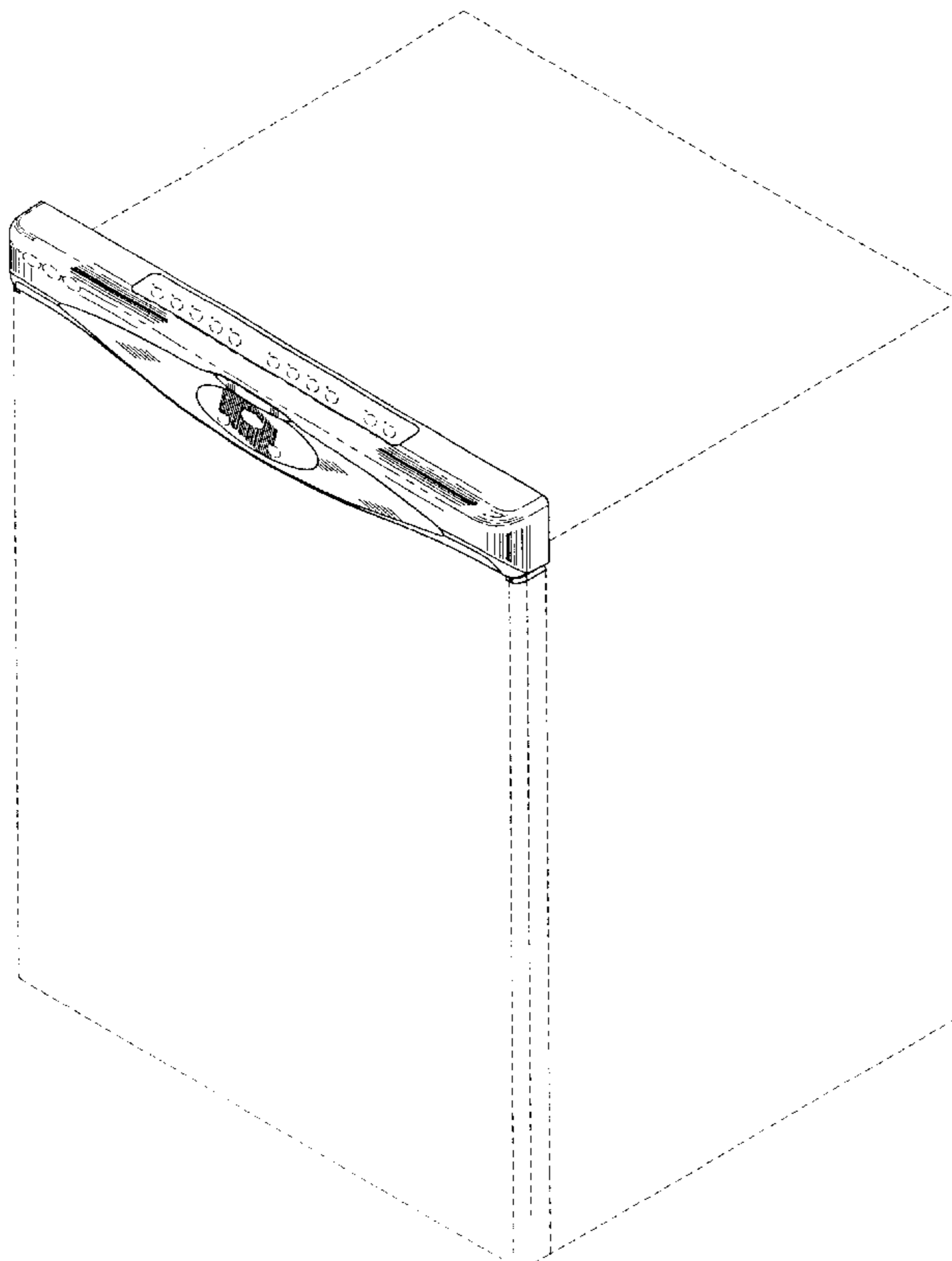
FIG. 2 is a front elevation view of the dishwasher door and control panel.

FIG. 3 is a right side elevation view thereof, with the left side elevation view being a mirror image; and,

FIG. 4 is a top plan view of the control panel.

The broken line showing of a dishwasher body is for illustrative purposes only and forms no part of the claimed design.

1 Claim, 2 Drawing Sheets



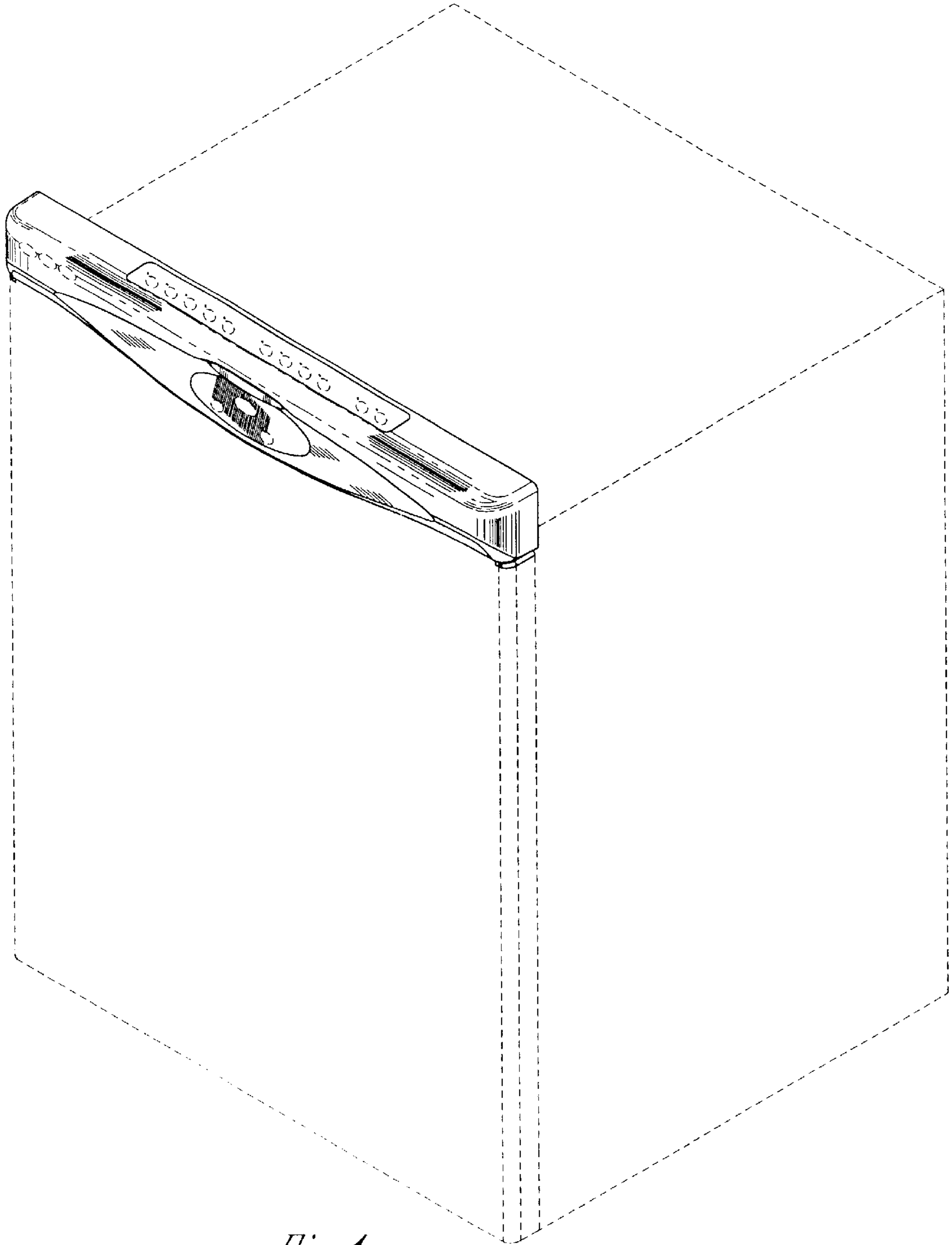


Fig. 1

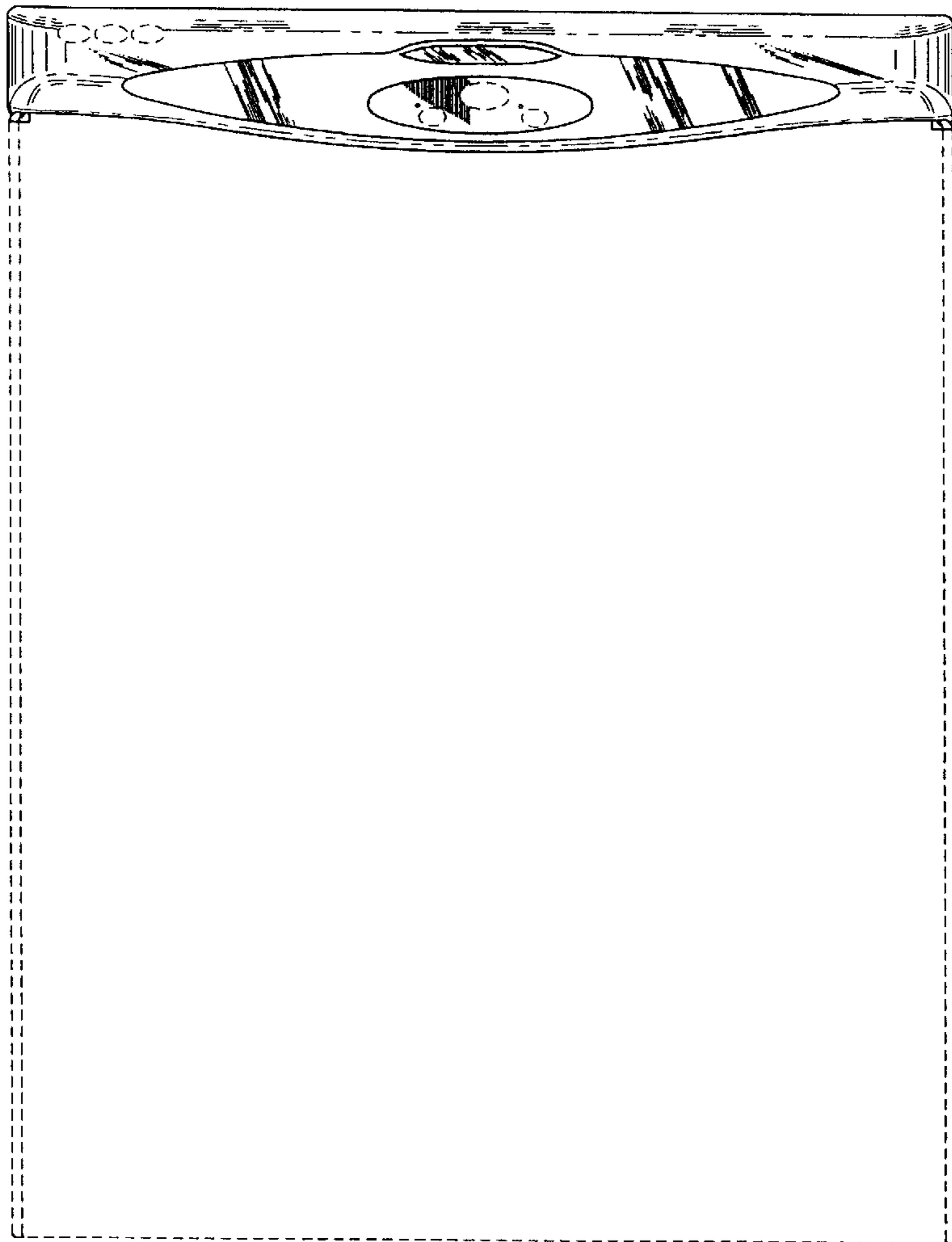


Fig. 2

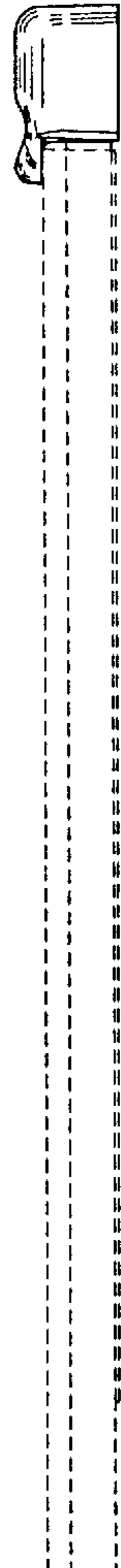


Fig. 3

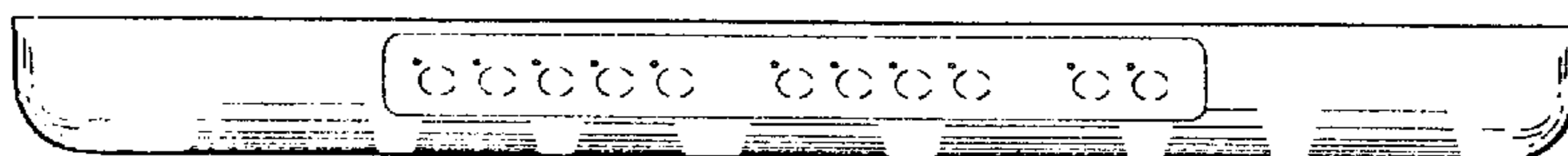


Fig. 4