



US00D474861S

(12) **United States Design Patent**
Rodriguez et al.

(10) **Patent No.: US D474,861 S**

(45) **Date of Patent: ** May 20, 2003**

(54) **COSMETIC CONTAINER**

(75) Inventors: **Jack Rodriguez**, Verona, NJ (US);
Charles Chang, 55 Westview Rd.,
Wayne, NJ (US) 07470

(73) Assignee: **Charles Chang**, Wayne, NJ (US)

(**) Term: **14 Years**

(21) Appl. No.: **29/144,441**

(22) Filed: **Jul. 2, 2001**

Related U.S. Application Data

(62) Division of application No. 29/123,787, filed on May 25,
2000, now Pat. No. Des. 449,410.

(51) **LOC (7) Cl.** **28-02**

(52) **U.S. Cl.** **D28/82**

(58) **Field of Search** D28/76-84; D9/418,
D9/420, 423, 341; 132/293-307, 314-317;
206/235, 581, 823; 220/DIG. 26

(56) **References Cited**

U.S. PATENT DOCUMENTS

1,443,542 A * 1/1923 Kollstede 132/294
D63,504 S * 12/1923 Slater D28/82
D258,391 S * 2/1981 Bohn D28/61
D289,262 S * 4/1987 Goetz et al. D9/420
D290,535 S * 6/1987 Chen D28/78

4,863,034 A * 9/1989 Contreras, Sr. 206/581
5,161,556 A * 11/1992 Audeborge et al. 132/296
D331,818 S * 12/1992 Holahan et al. D28/82
D402,412 S * 12/1998 Thorpe et al. D28/82
D408,731 S * 4/1999 Taylor et al. D9/331
D431,880 S * 10/2000 Finocchiaro et al. D28/76
D436,693 S * 1/2001 Thorpe et al. D28/76

* cited by examiner

Primary Examiner—Ted Shooman

Assistant Examiner—C Tuttle

(74) *Attorney, Agent, or Firm*—Richard A. Joel, Esq.

(57) **CLAIM**

The ornamental design for cosmetic container, as shown and described.

DESCRIPTION

FIG. 1 is a perspective view of a cosmetic container showing our new design embodied in a dual oval eye shadow compact.

FIG. 2 is a top view of the container of FIG. 1;

FIG. 3 is a front view of the container of FIG. 1;

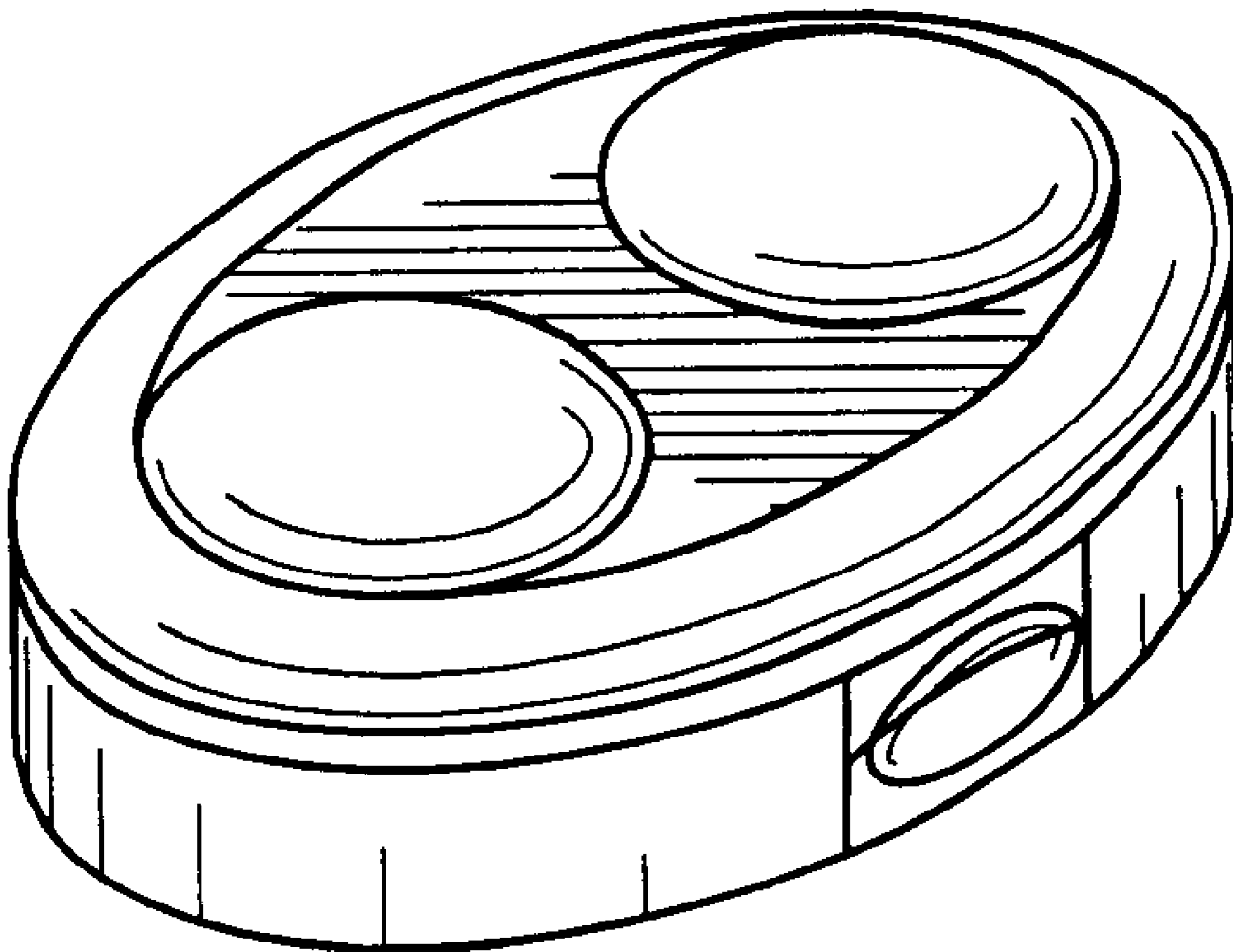
FIG. 4 is a rear view of the container of FIG. 1;

FIG. 5 is a left side view of the container of FIG. 1; and,

FIG. 6 is a right side view of the container of FIG. 1.

The portions shown in broken lines in FIG. 4 are for illustrative purposes only; and form no part of the claimed design.

1 Claim, 1 Drawing Sheet



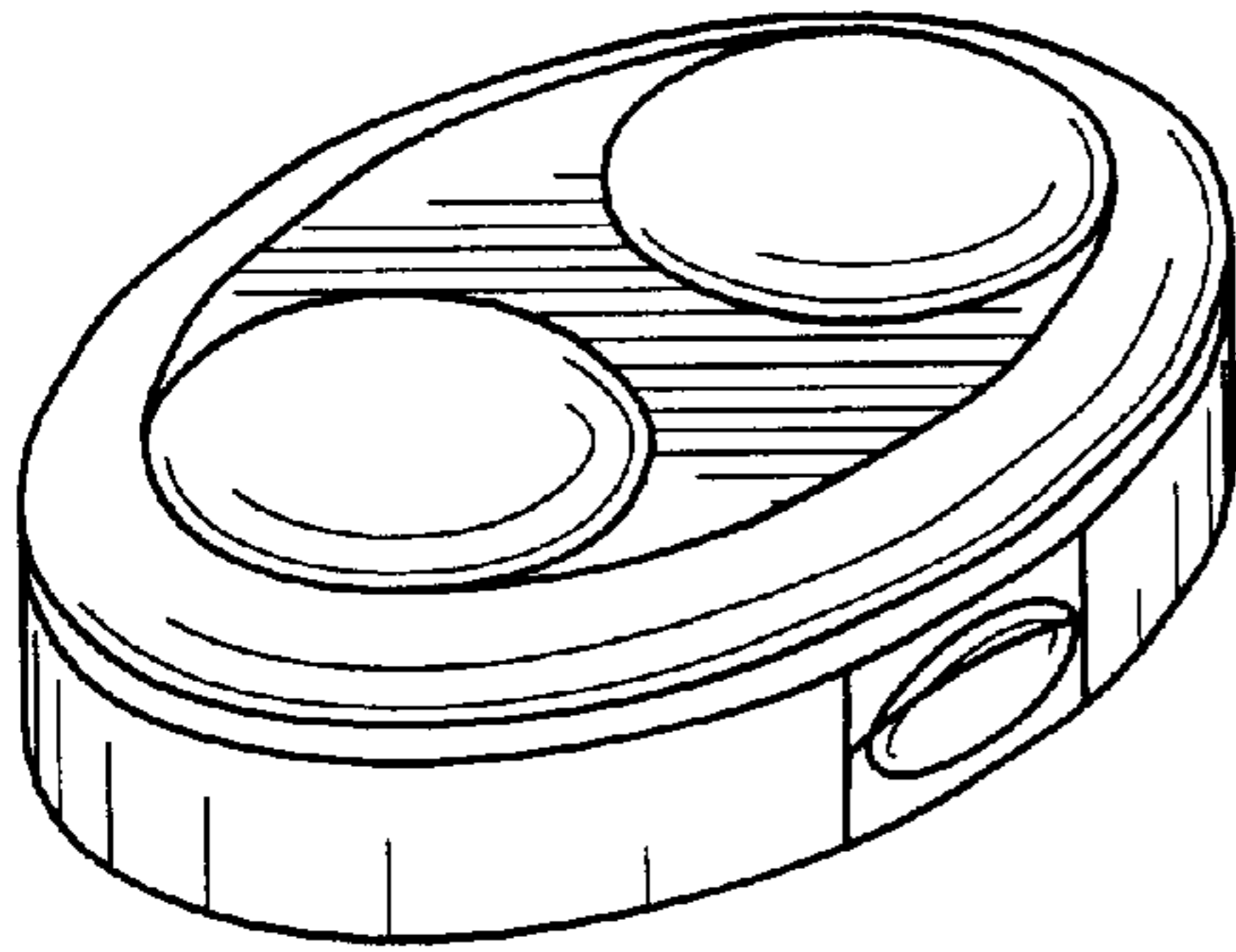


FIG. 1

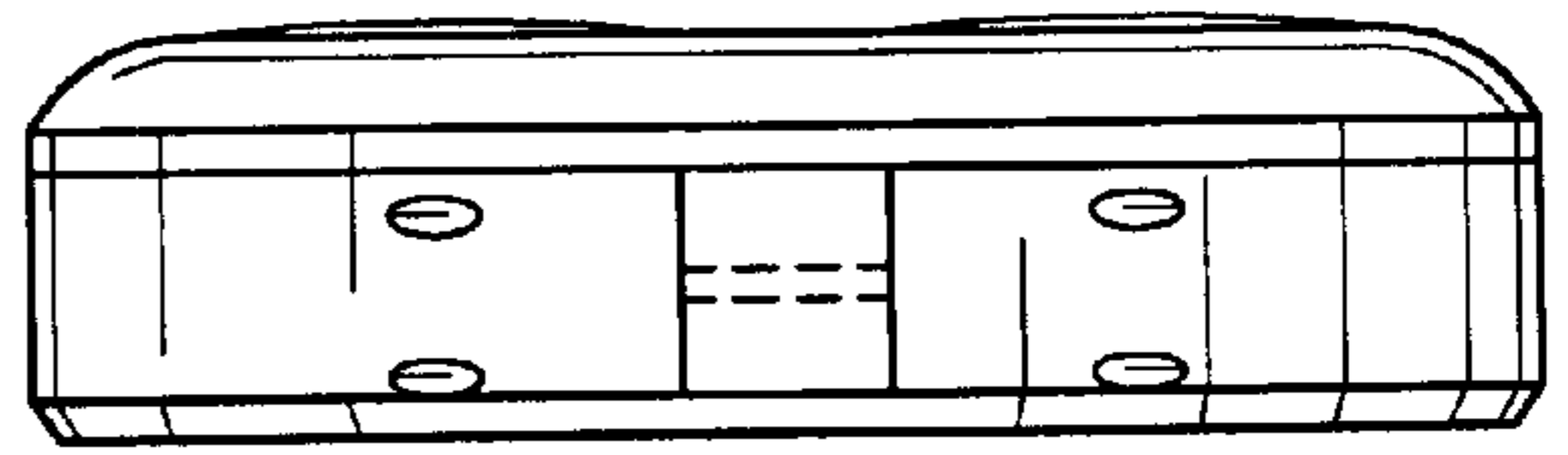


FIG. 4

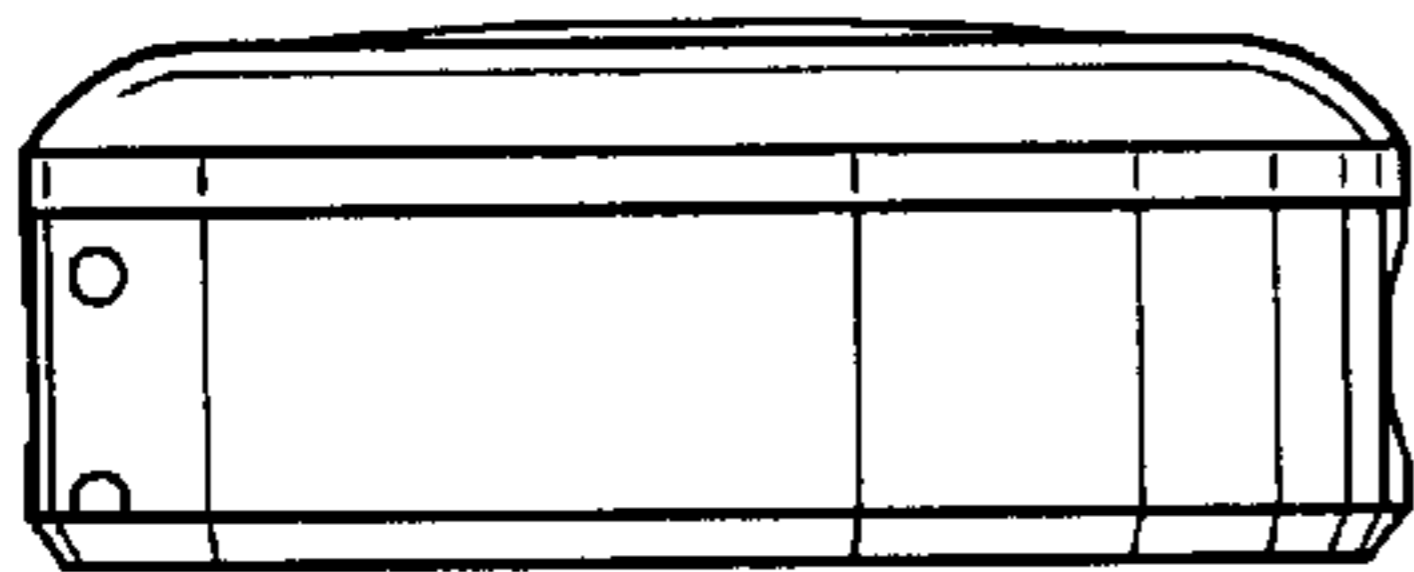


FIG. 5

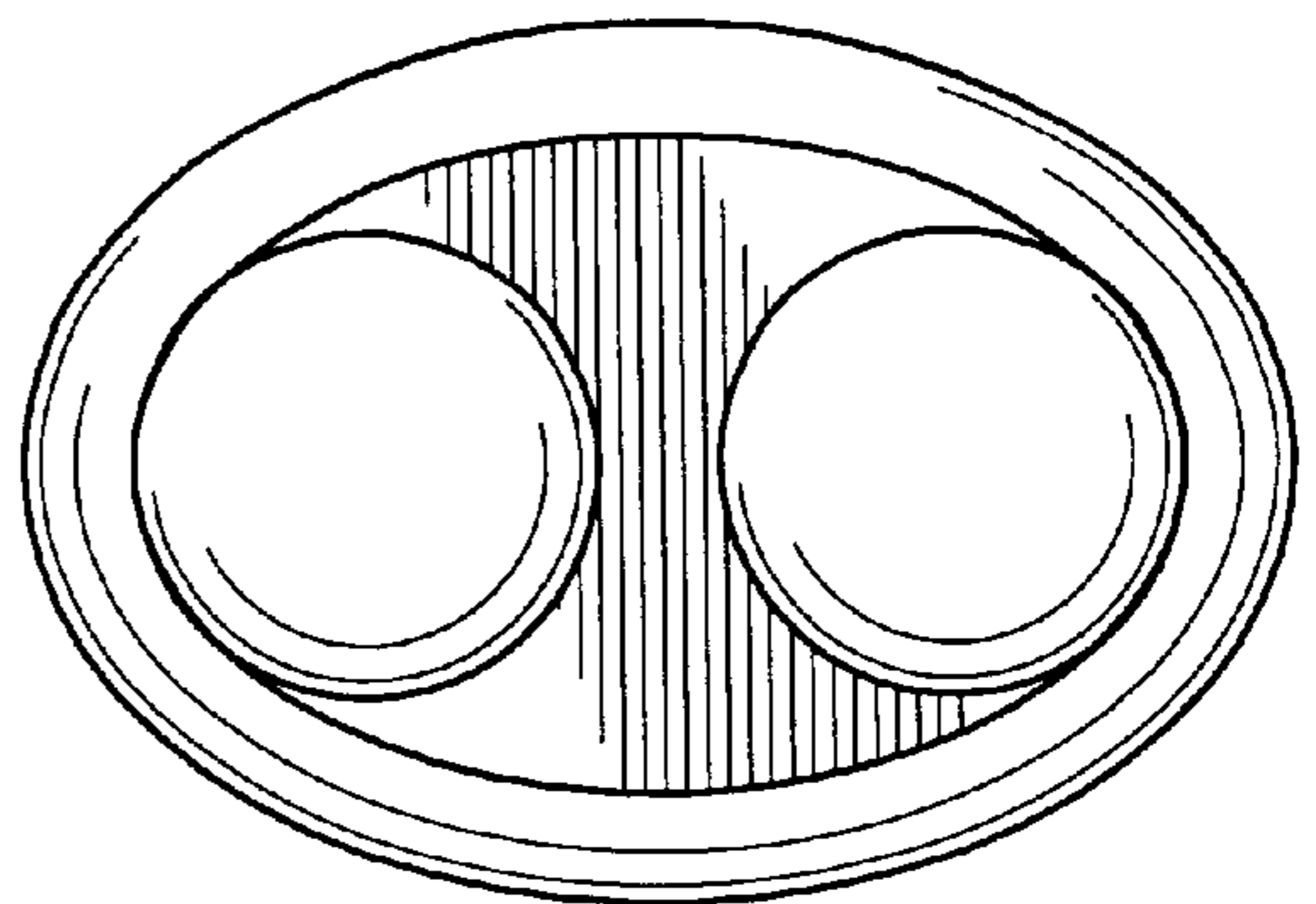


FIG. 2

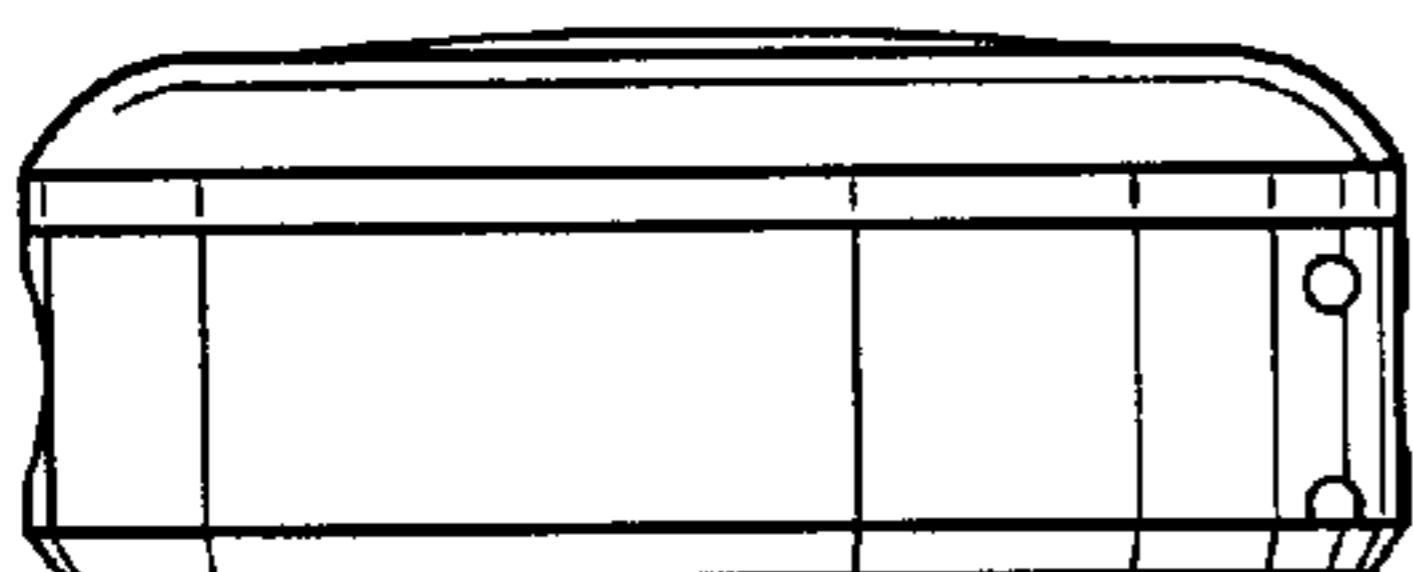


FIG. 6

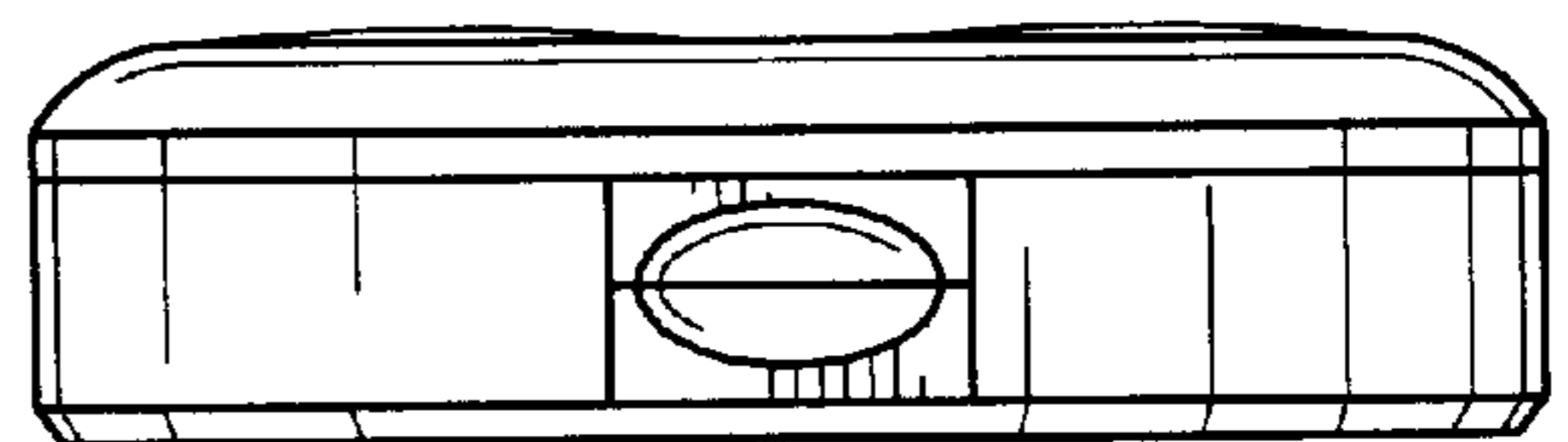


FIG. 3