



US00D474859S

(12) **United States Design Patent**
Duceppe

(10) **Patent No.:** **US D474,859 S**

(45) **Date of Patent:** **** May 20, 2003**

(54) **KIT TO REMOVE NAIL POLISH AND/OR FALSE NAILS**

(75) **Inventor:** **Antoine Duceppe, Ville d'Anjou (CA)**

(73) **Assignee:** **Centre de Beaute de l'Ongle de Laval, Ville d'Anjou (CA)**

(**) **Term:** **14 Years**

(21) **Appl. No.:** **29/159,312**

(22) **Filed:** **Apr. 19, 2002**

(51) **LOC (7) Cl.** **28-03**

(52) **U.S. Cl.** **D28/61; D28/56**

(58) **Field of Search** **D28/9, 56, 57, D28/58, 61, 73, 78, 86, 99, 76; D9/341; D19/35, 36; D3/205, 273, 274, 302, 901; 132/73, 73.5, 74.5, 75, 286, 314, 333; 206/581, 823**

(56) **References Cited**

U.S. PATENT DOCUMENTS

- RE14,619 E * 3/1919 Moeller 132/73
- D53,973 S * 10/1919 Sterling D28/61
- D101,154 S * 9/1936 Woodfield D7/707
- D172,222 S * 5/1954 Coverdell D28/99
- 3,760,973 A * 9/1973 Canning et al. 220/23.8
- D247,123 S * 1/1978 Benes D28/86

- 4,510,954 A * 4/1985 Miller 132/75
- D286,094 S * 10/1986 Coller D28/76
- D334,998 S * 4/1993 Warner et al. D2/58
- 6,116,248 A * 9/2000 Walker 132/74.5
- 6,325,206 B1 * 12/2001 Stonex 206/1.8

* cited by examiner

Primary Examiner—Mitchell Siegel

Assistant Examiner—C. Tuttle

(74) *Attorney, Agent, or Firm*—Robic

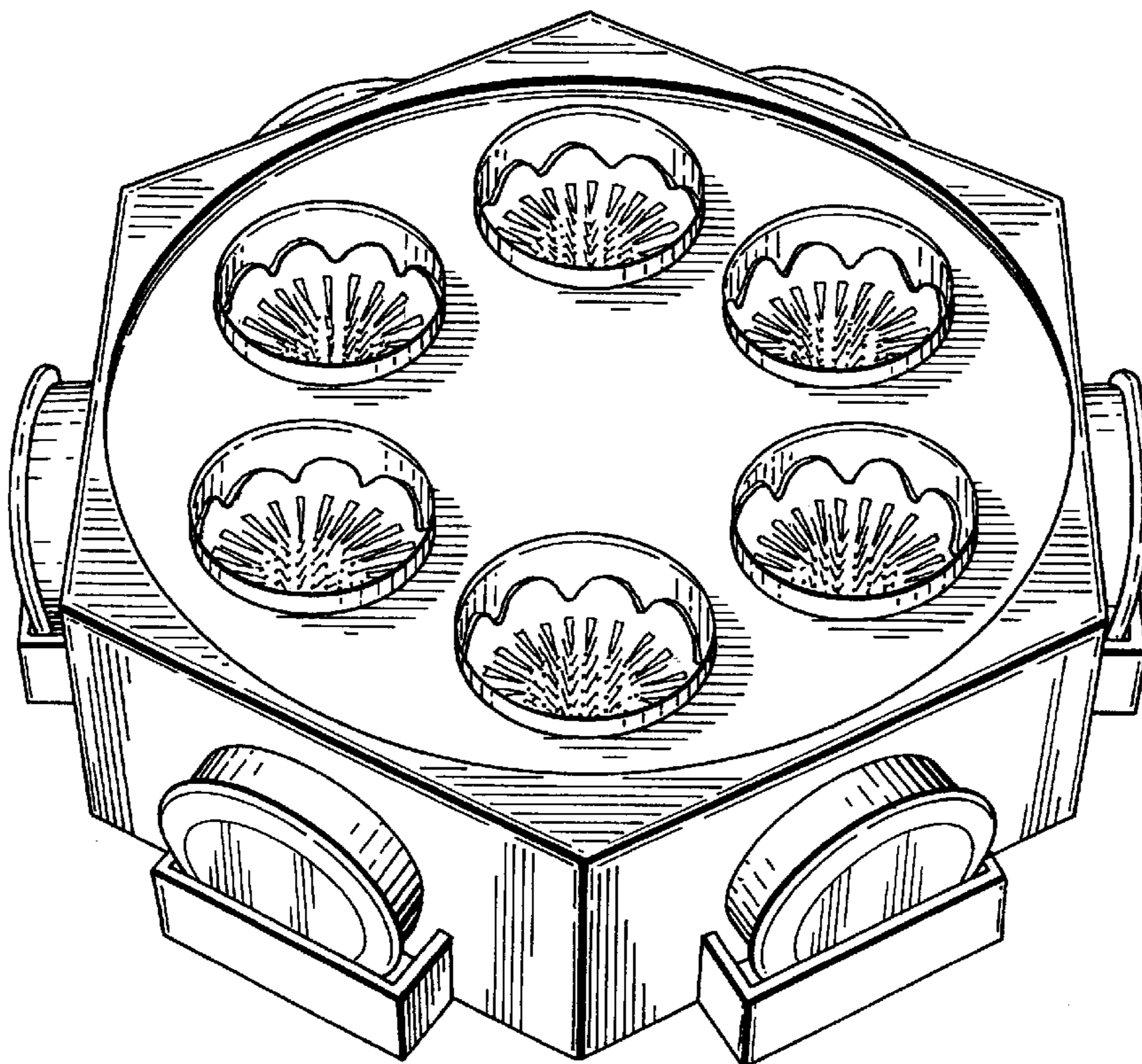
(57) **CLAIM**

The ornamental design for a kit to remove nail polish and/or false nails, as shown and described.

DESCRIPTION

FIG. 1 is a perspective view of a kit to remove nail polish and/or false nails, showing my new design;
 FIG. 2 is a top plan view thereof;
 FIG. 3 is an enlarged scale side elevational view thereof;
 FIG. 4 is a bottom plan view thereof; and,
 FIG. 5 is a perspective view thereof, wherein the covers of the cavities, originally positioned on the sidewalls of the kit, are now positioned on top of the cavities.
 The structures shown in broken lines within the cavities in FIGS. 1 and 2 are for illustrative purpose only and form no part of the claimed design.

1 Claim, 5 Drawing Sheets



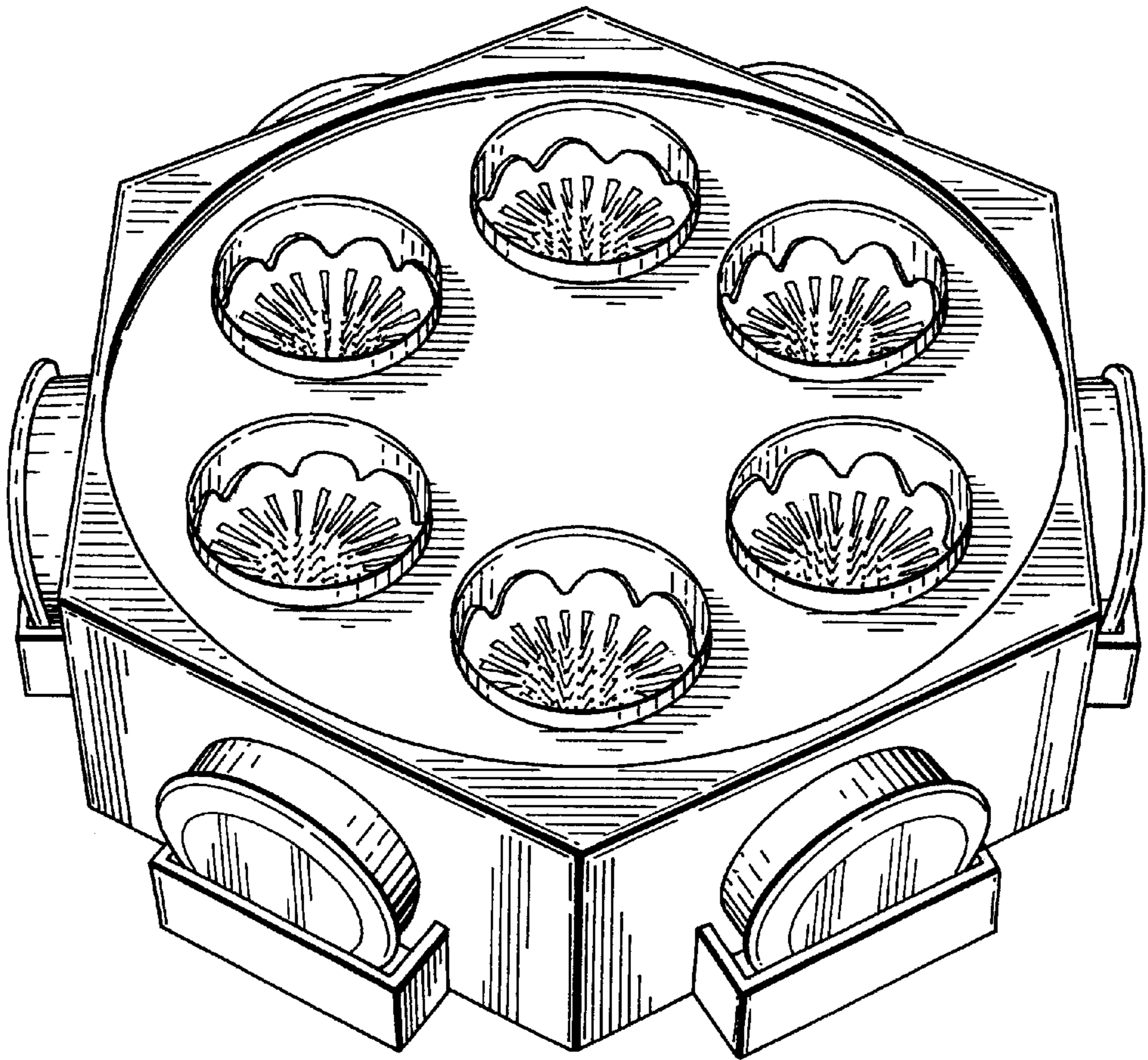


FIG. 1

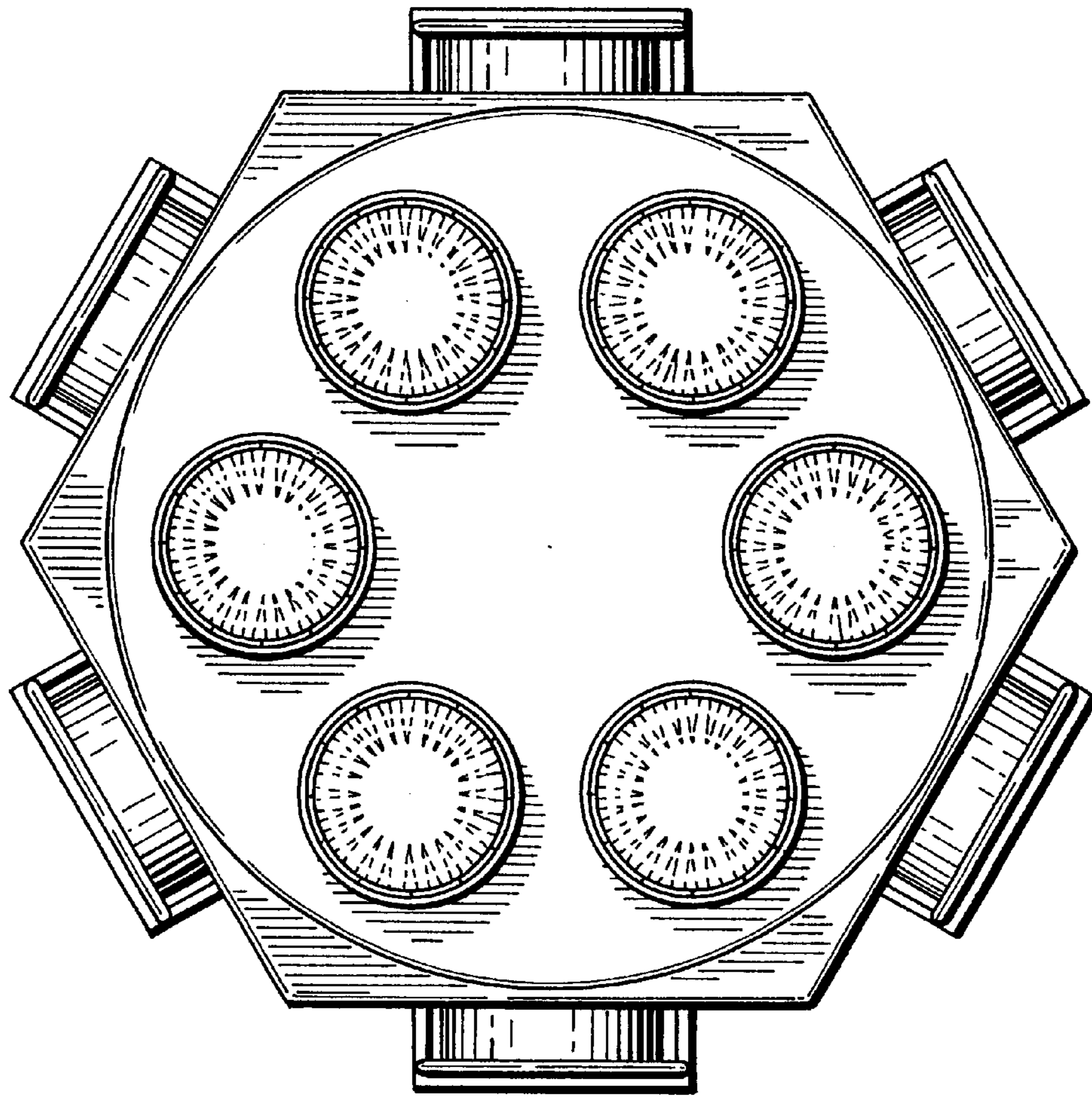


FIG. 2

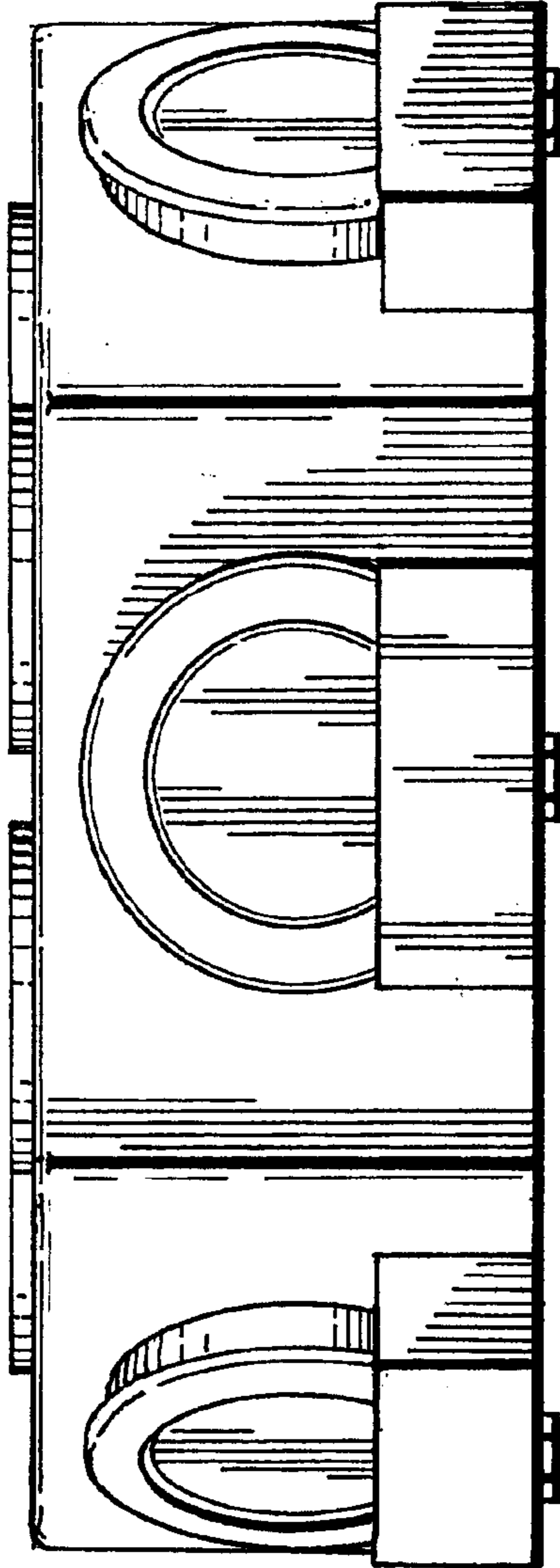


FIG. 3

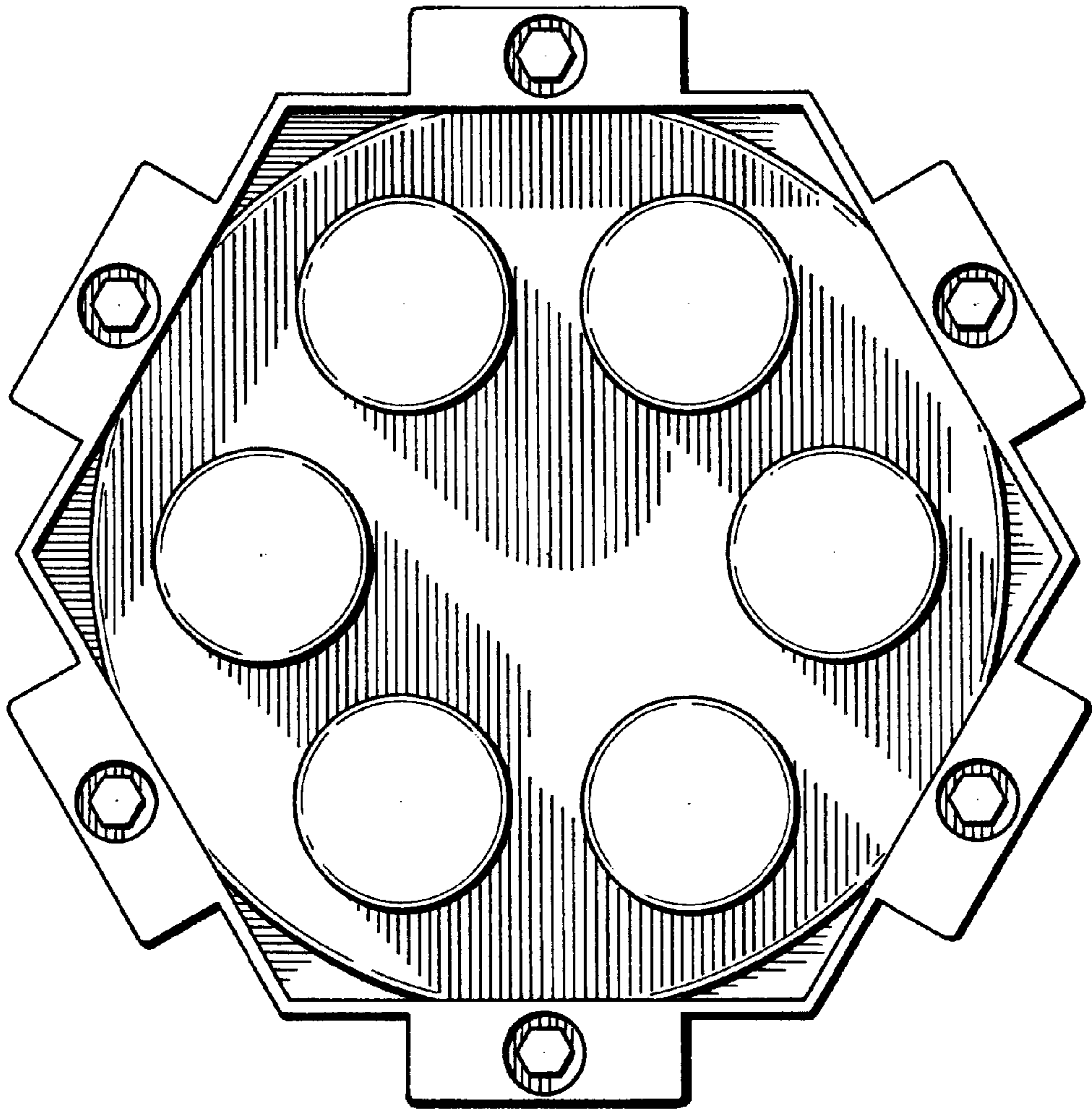


FIG. 4

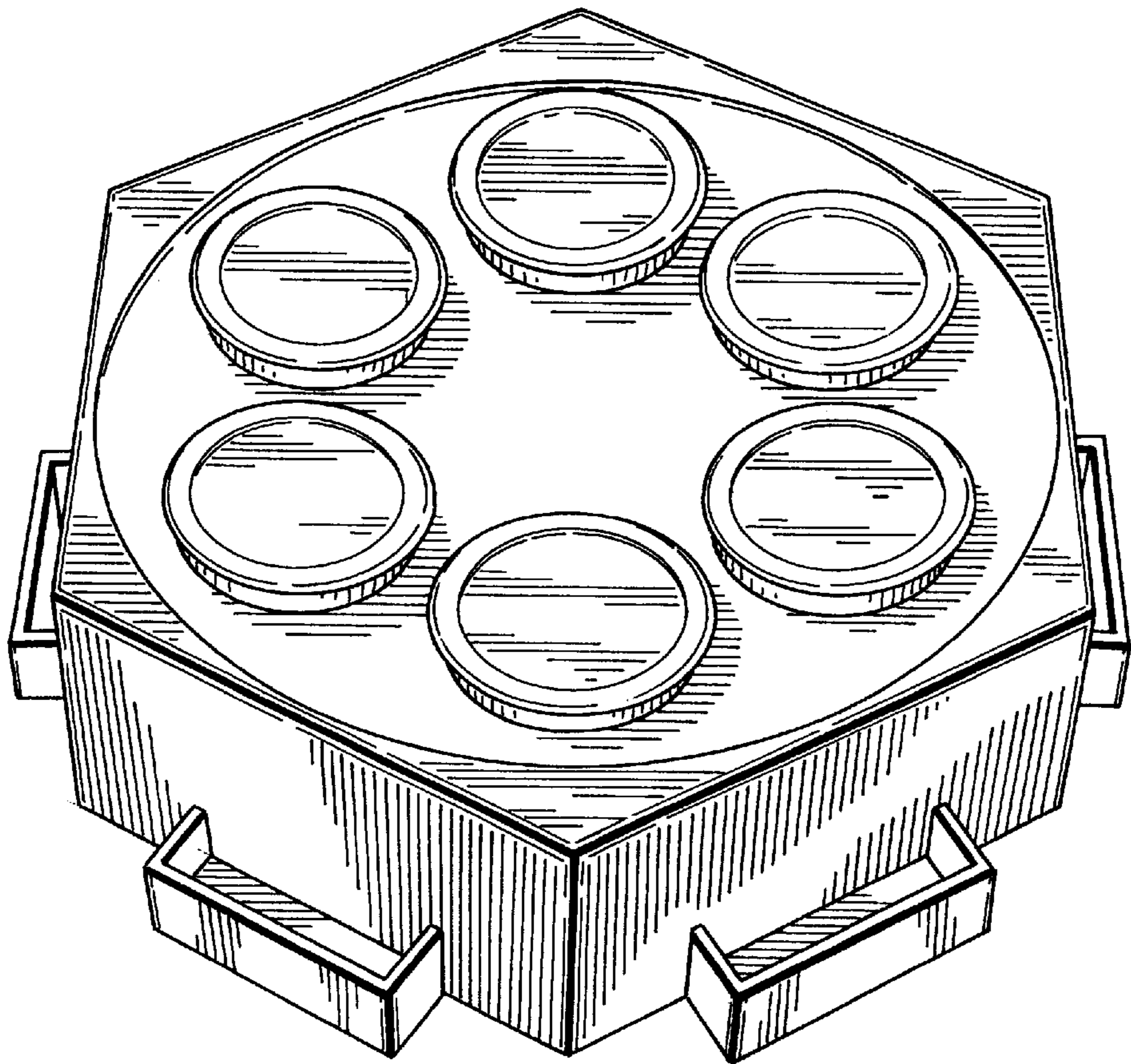


FIG. 5