



US00D474858S

(12) **United States Design Patent**
Harris et al.

(10) **Patent No.:** **US D474,858 S**

(45) **Date of Patent:** **** May 20, 2003**

(54) **HAND-HELD HAIR DRYER**

(75) Inventors: **David Harris**, Nashua, NH (US); **Rudy Woodard**, Nashua, NH (US); **Steve Schwartz**, Nashua, NH (US); **Tim Trzepacz**, Nashua, NH (US)

(73) Assignee: **Brookstone Company, Inc.**, Nashua, NH (US)

(**) Term: **14 Years**

(21) Appl. No.: **29/166,897**

(22) Filed: **Sep. 5, 2002**

(51) **LOC (7) Cl.** **28-03**

(52) **U.S. Cl.** **D28/13**

(58) **Field of Search** D28/13, 16, 12,
D28/15; 34/96-101; 392/380, 383, 384,
385

(56) **References Cited**

U.S. PATENT DOCUMENTS

- 3,978,314 A * 8/1976 Shimizu 392/385
- 4,479,311 A * 10/1984 Blanco 34/90
- D277,789 S * 2/1985 Pajak D28/13
- D432,716 S * 10/2000 Goetschi D28/13

FOREIGN PATENT DOCUMENTS

XH DM/029 268 * 4/1994

OTHER PUBLICATIONS

Best Catalog, 1991/1992, p. 254, "Vidal Sassoon" hair dryer, upper left, item #3.*

Hong Kong Enterprise, Jun. 1993, p. 770, hair dryer VR 866H.*

* cited by examiner

Primary Examiner—Lucy Lieberman

(74) *Attorney, Agent, or Firm*—Hayes Soloway P.C.

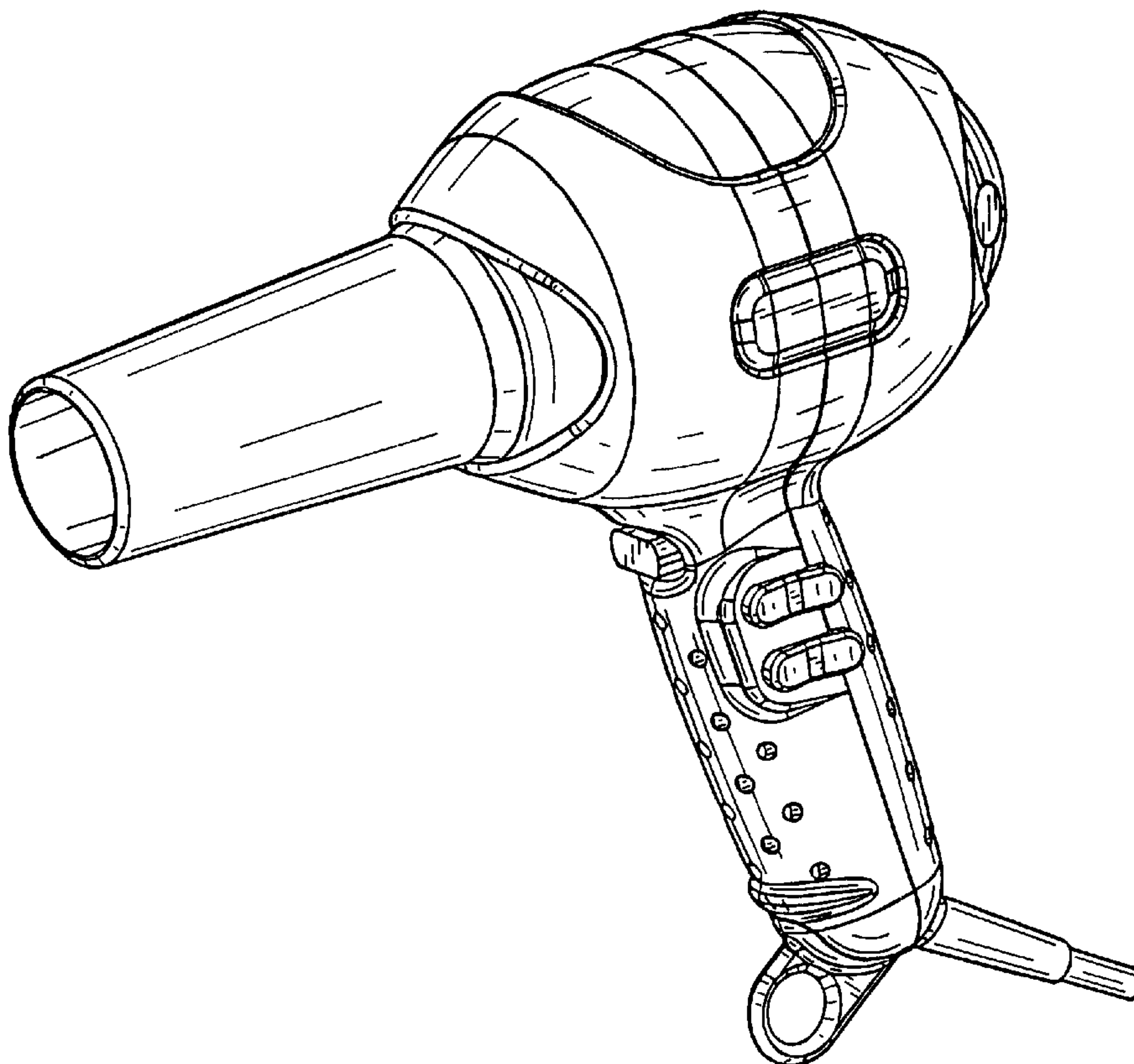
(57) **CLAIM**

The ornamental design for a hand-held hair dryer, as shown and described.

DESCRIPTION

FIG. 1 is a top perspective view of a hand-held hair dryer showing our new design;
 FIG. 2 is a right side elevation thereof;
 FIG. 3 is a left side elevation thereof;
 FIG. 4 is a rear end view thereof;
 FIG. 5 is a front-end view thereof;
 FIG. 6 is a top view thereof; and,
 FIG. 7 is a bottom view thereof.

1 Claim, 5 Drawing Sheets



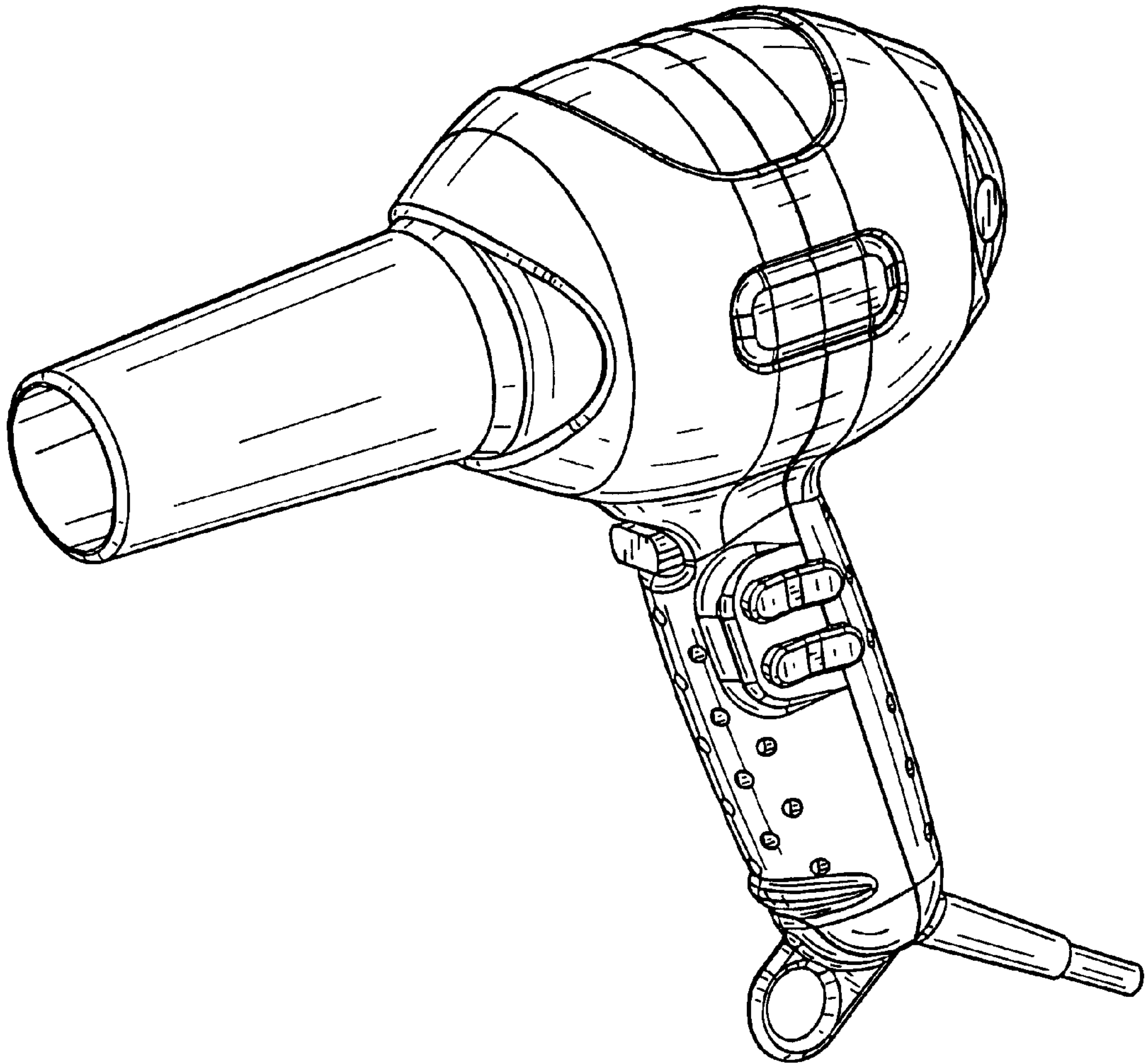


FIG. 1

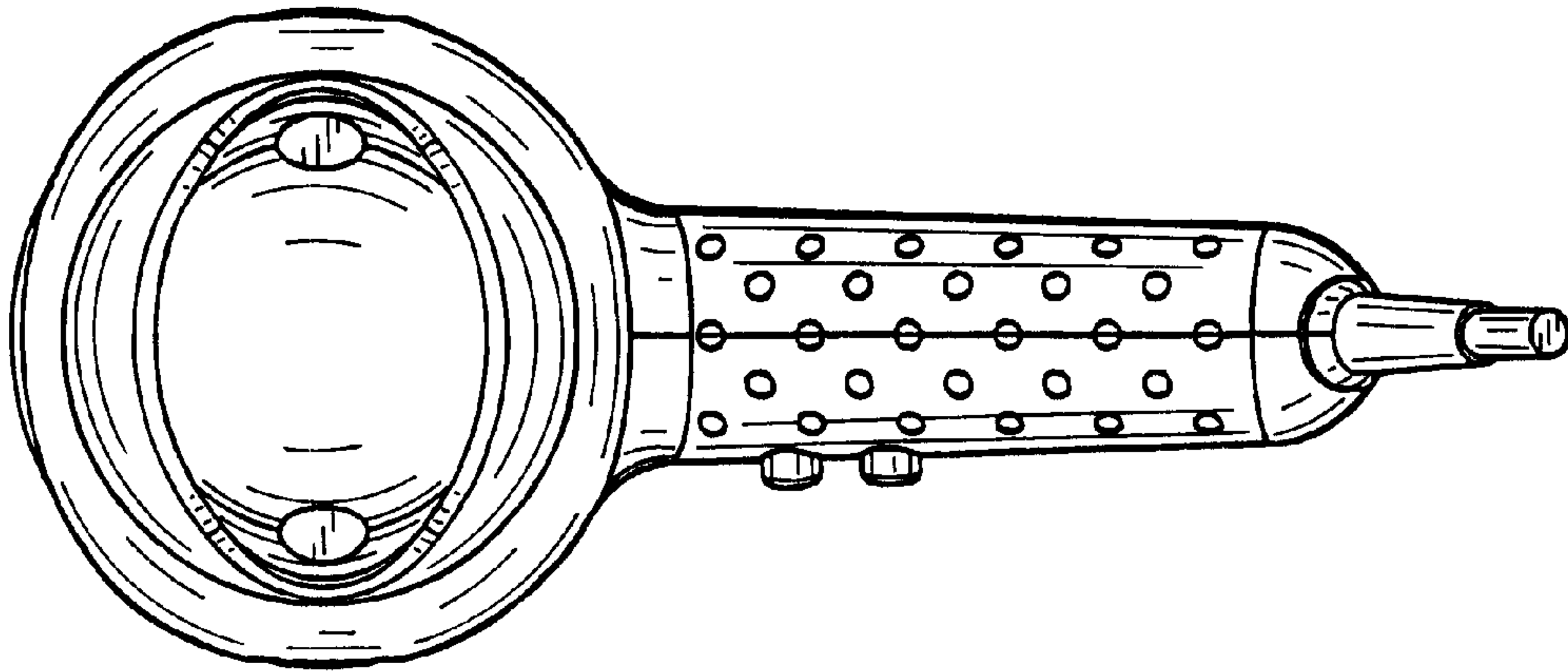


FIG. 4

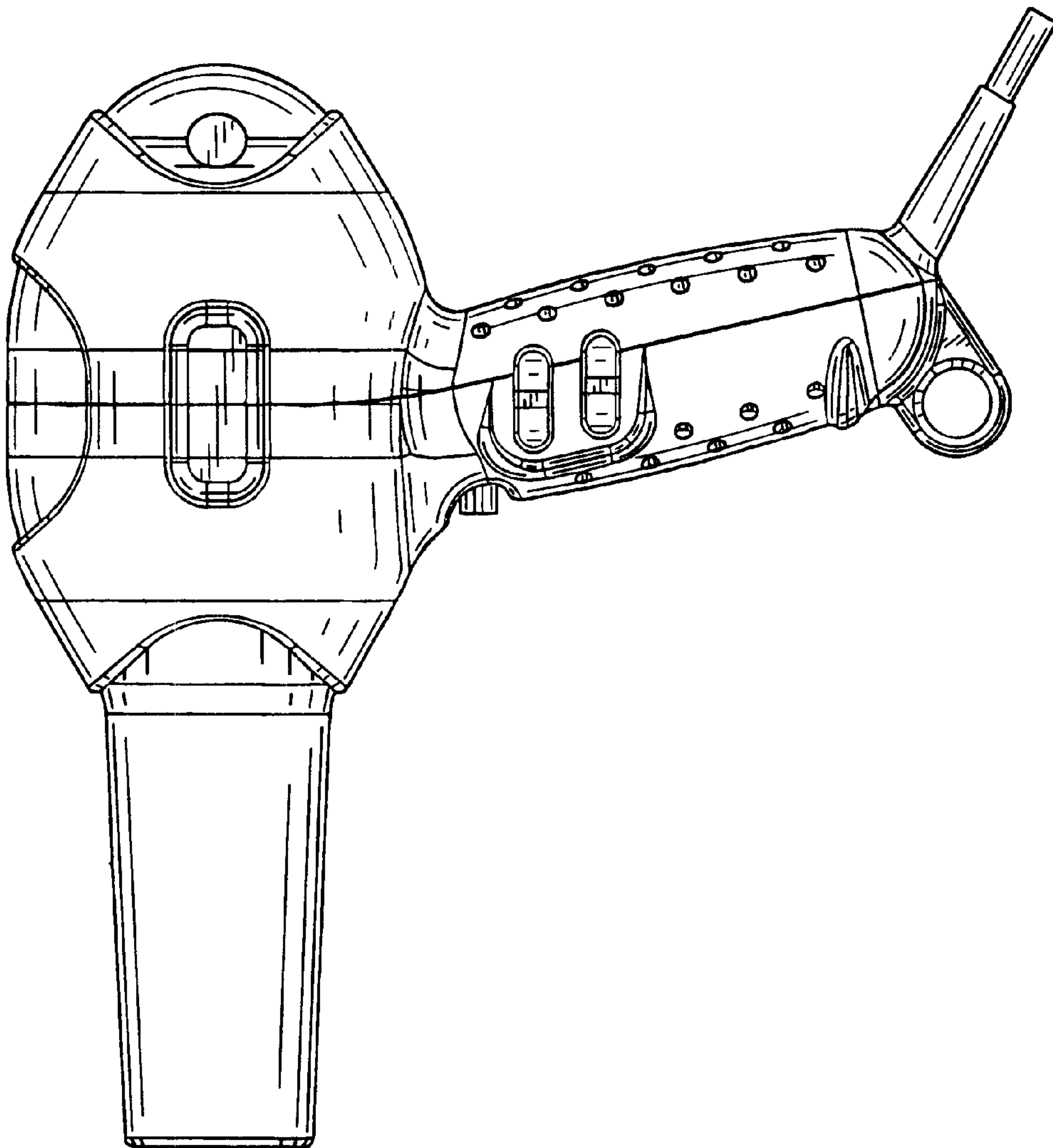


FIG. 2

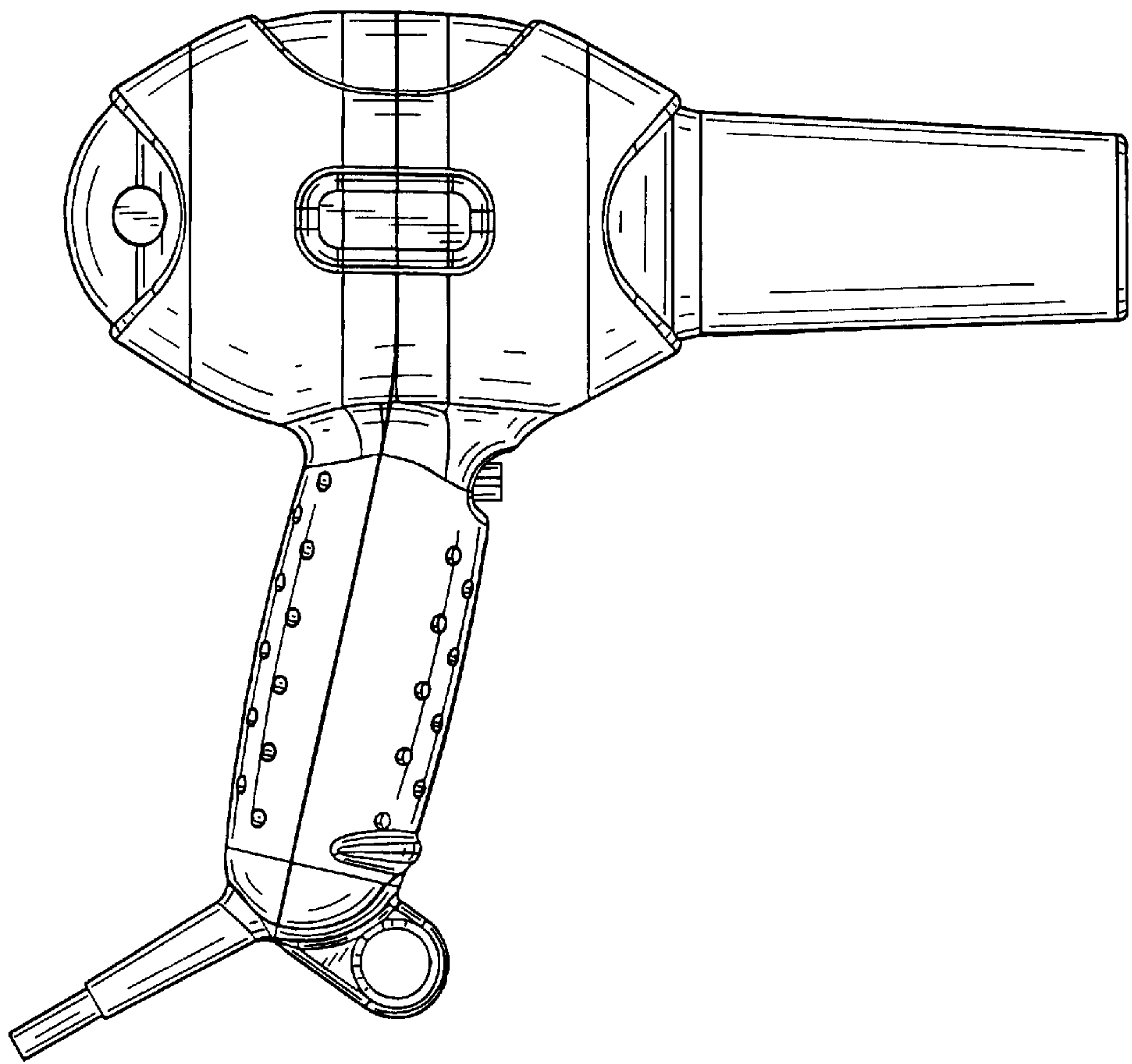


FIG. 3

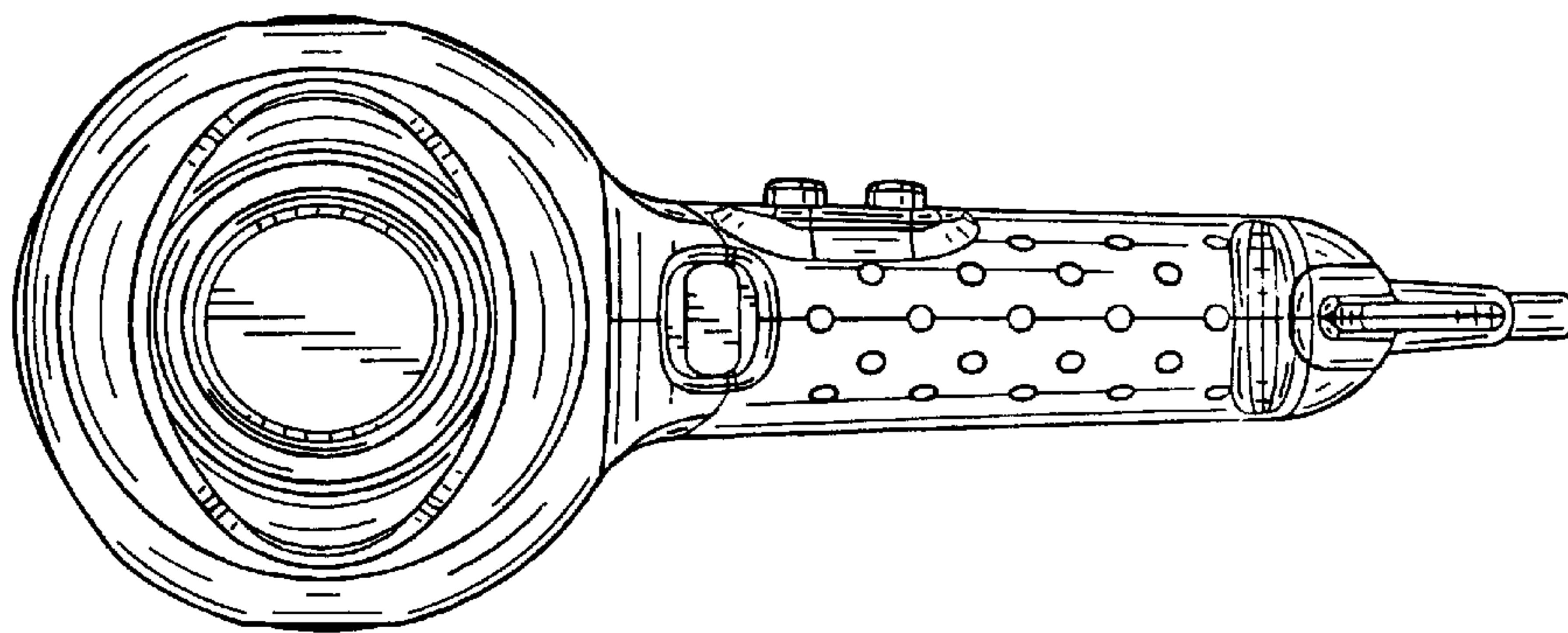


FIG. 5

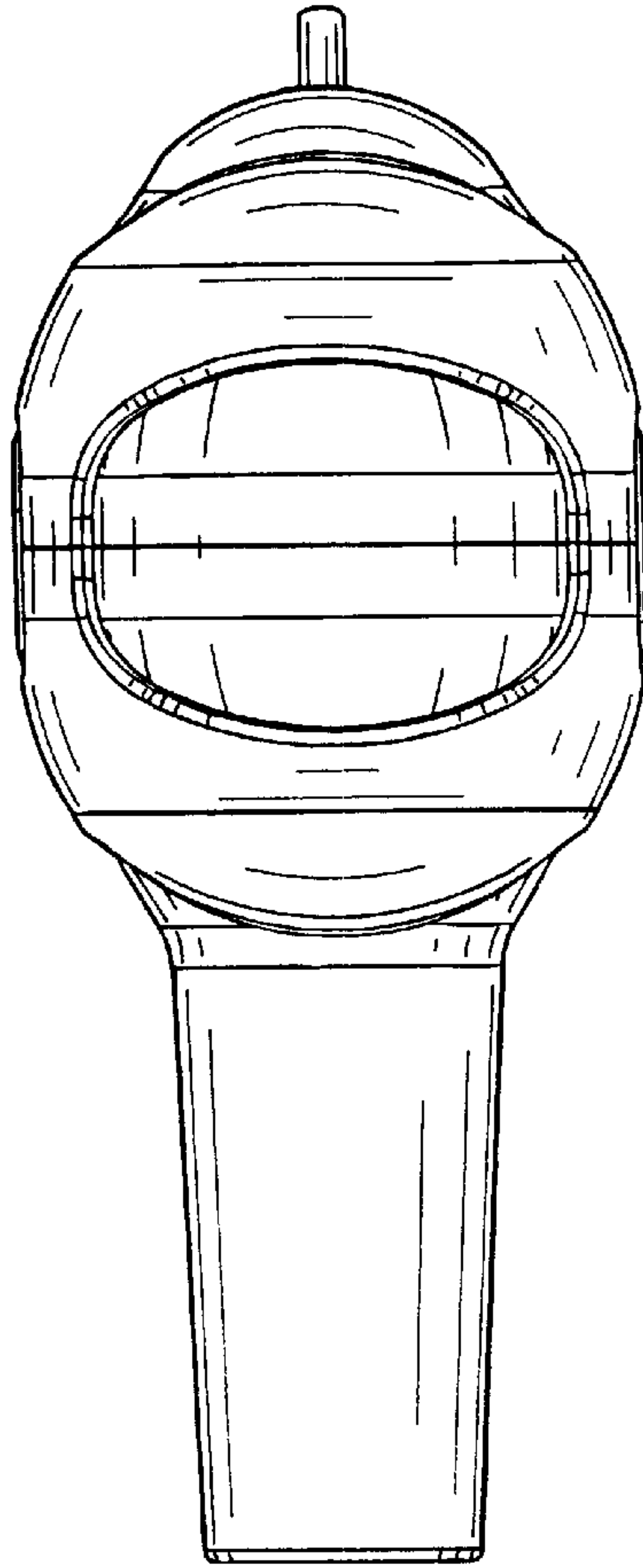


FIG. 6

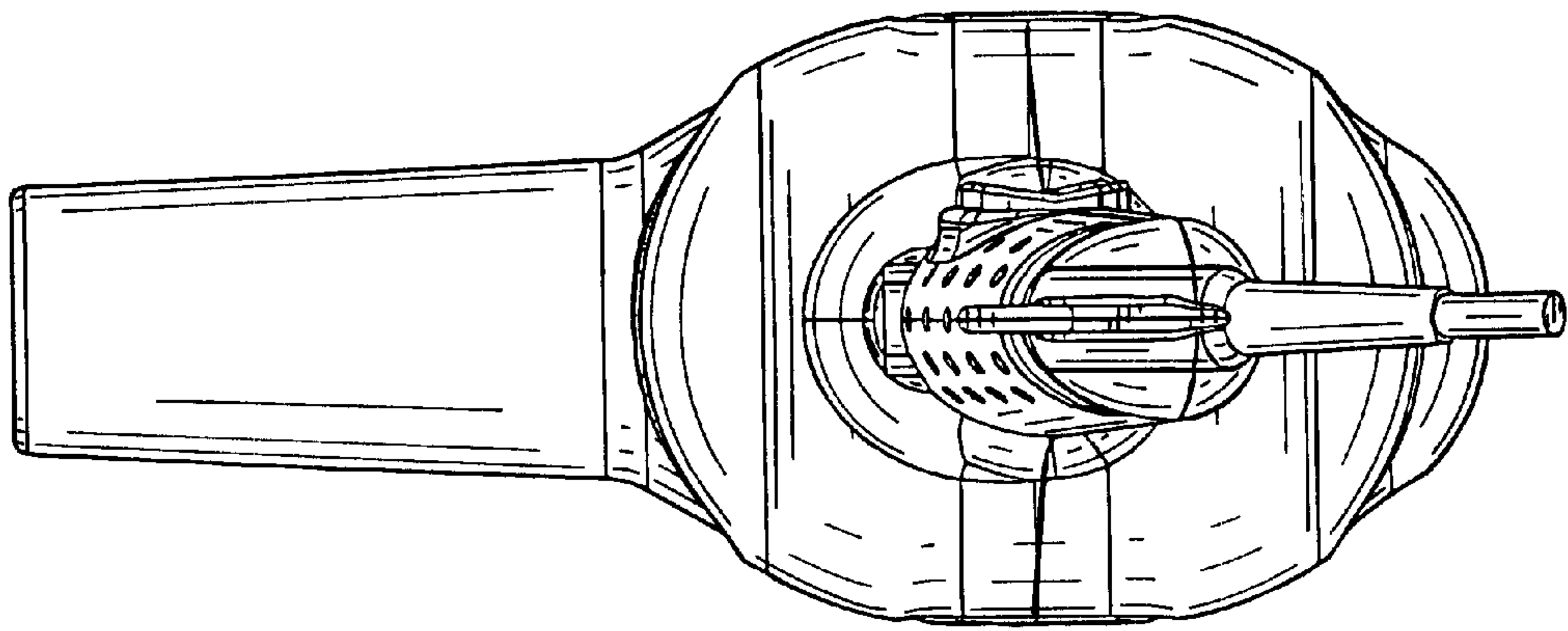


FIG. 7