



US00D474855S

(12) **United States Design Patent**
Huang

(10) **Patent No.:** **US D474,855 S**

(45) **Date of Patent:** **** May 20, 2003**

(54) **LAMP SHADE**

(75) Inventor: **Huo-Tu Huang**, Taipei Hsien (TW)

(73) Assignee: **Huangslite Industrial Co., Ltd.**, Taipei Hsien (TW)

(**) Term: **14 Years**

(21) Appl. No.: **29/169,041**

(22) Filed: **Oct. 15, 2002**

(51) **LOC (7) Cl.** **26-99**

(52) **U.S. Cl.** **D26/118**

(58) **Field of Search** D26/61-67, 118-124;
362/347, 350, 351, 359, 361

(56) **References Cited**

U.S. PATENT DOCUMENTS

D209,078 S * 10/1967 Andre D26/62
D437,443 S * 2/2001 Lin D26/63

OTHER PUBLICATIONS

Taiwan Lighting, Aug. 1997, #RT-8614, p. 86.*
Taiwan Lighting, Aug. 1997, Habitat Table Lamp.*

* cited by examiner

Primary Examiner—Jennifer Rivard

(74) *Attorney, Agent, or Firm*—Bacon & Thomas, PLLC

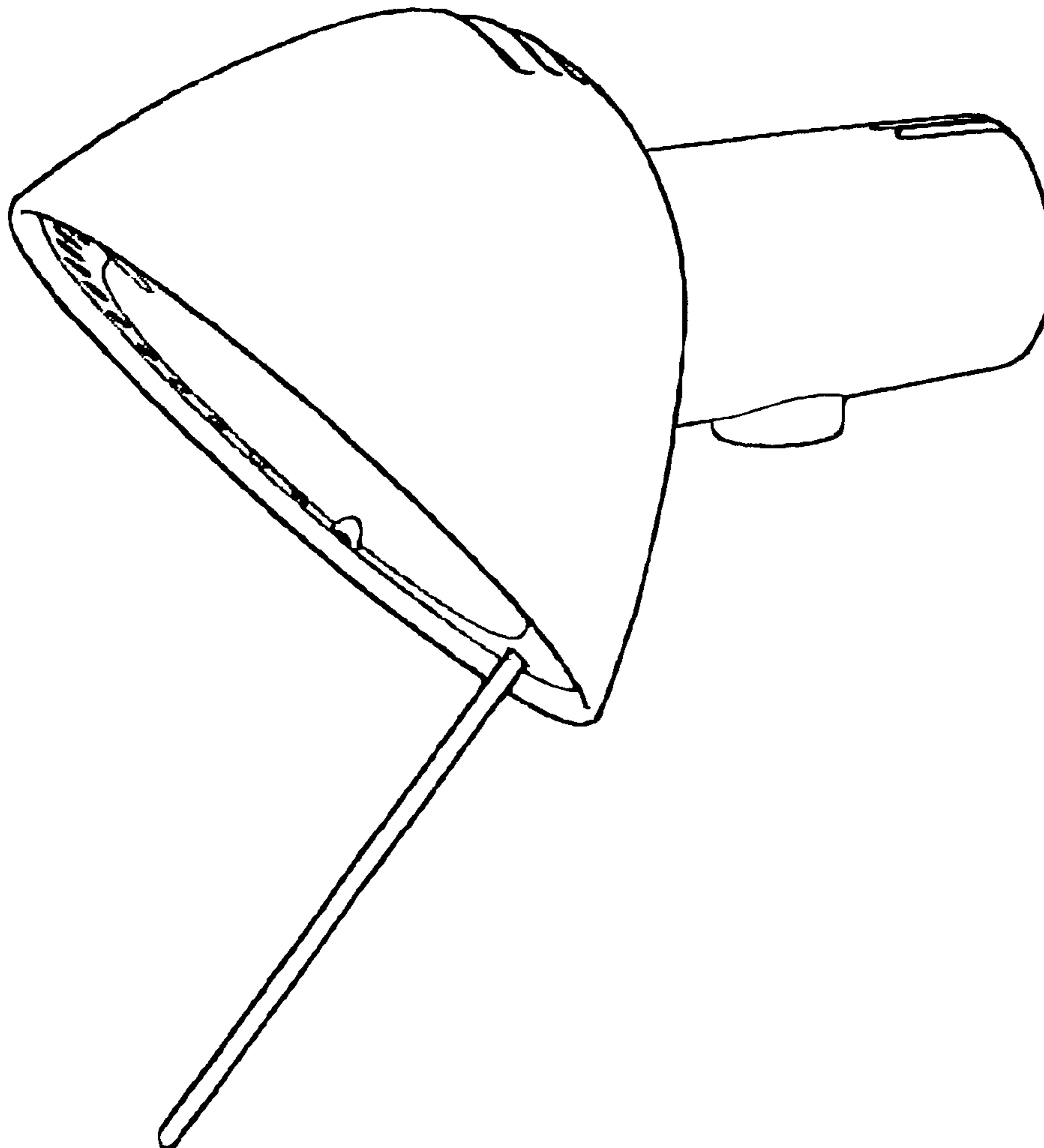
(57) **CLAIM**

The ornamental design for lamp shade, as shown and described.

DESCRIPTION

FIG. 1. is a top, front right side perspective view thereof;
FIG. 2. is a front elevational view thereof;
FIG. 3. is a rear elevational view thereof;
FIG. 4. is a left plan view thereof;
FIG. 5. is a right plan view thereof;
FIG. 6. is a top plan view thereof; and,
FIG. 7. is a bottom plan view thereof.

1 Claim, 4 Drawing Sheets



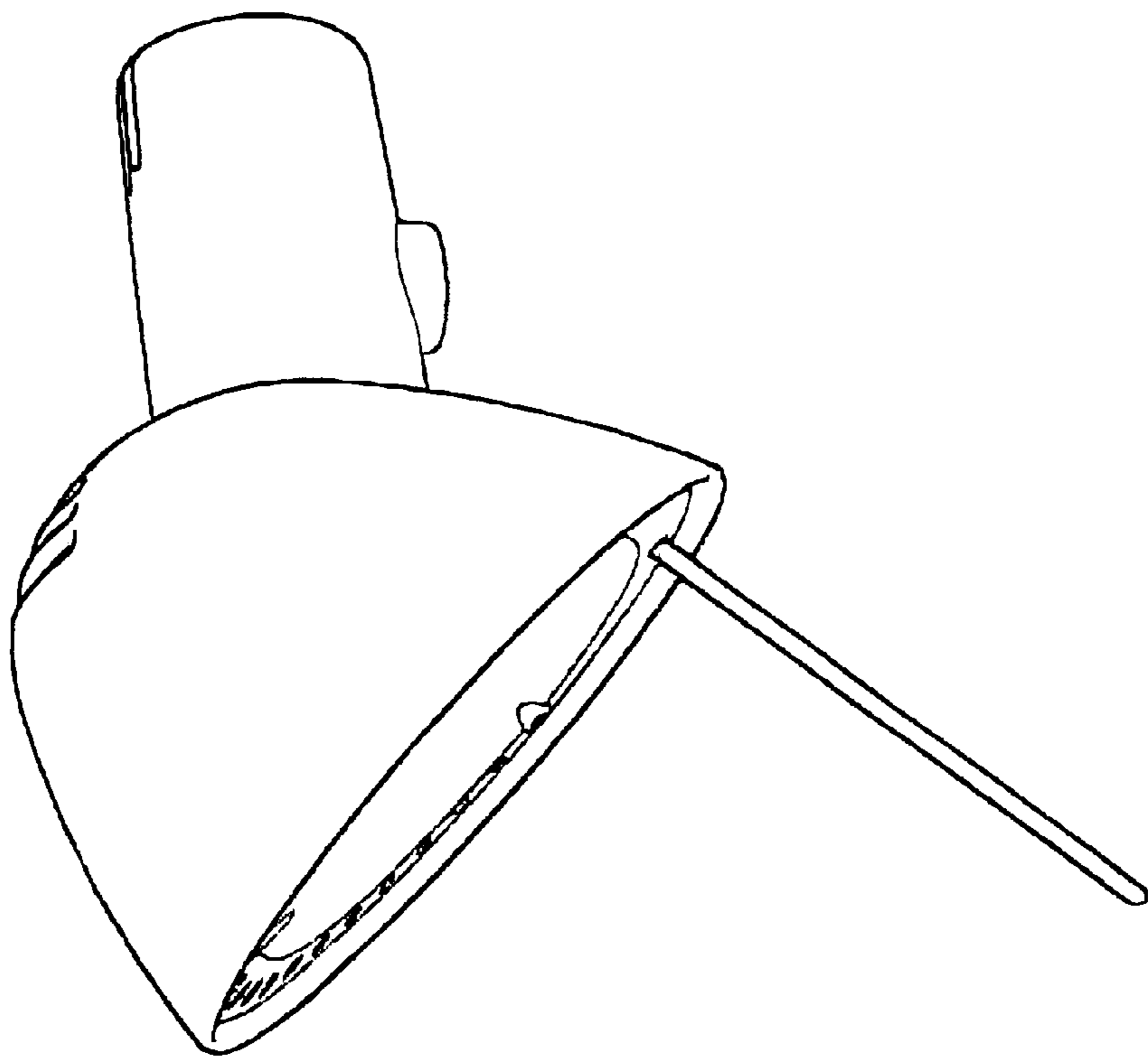


FIG.1

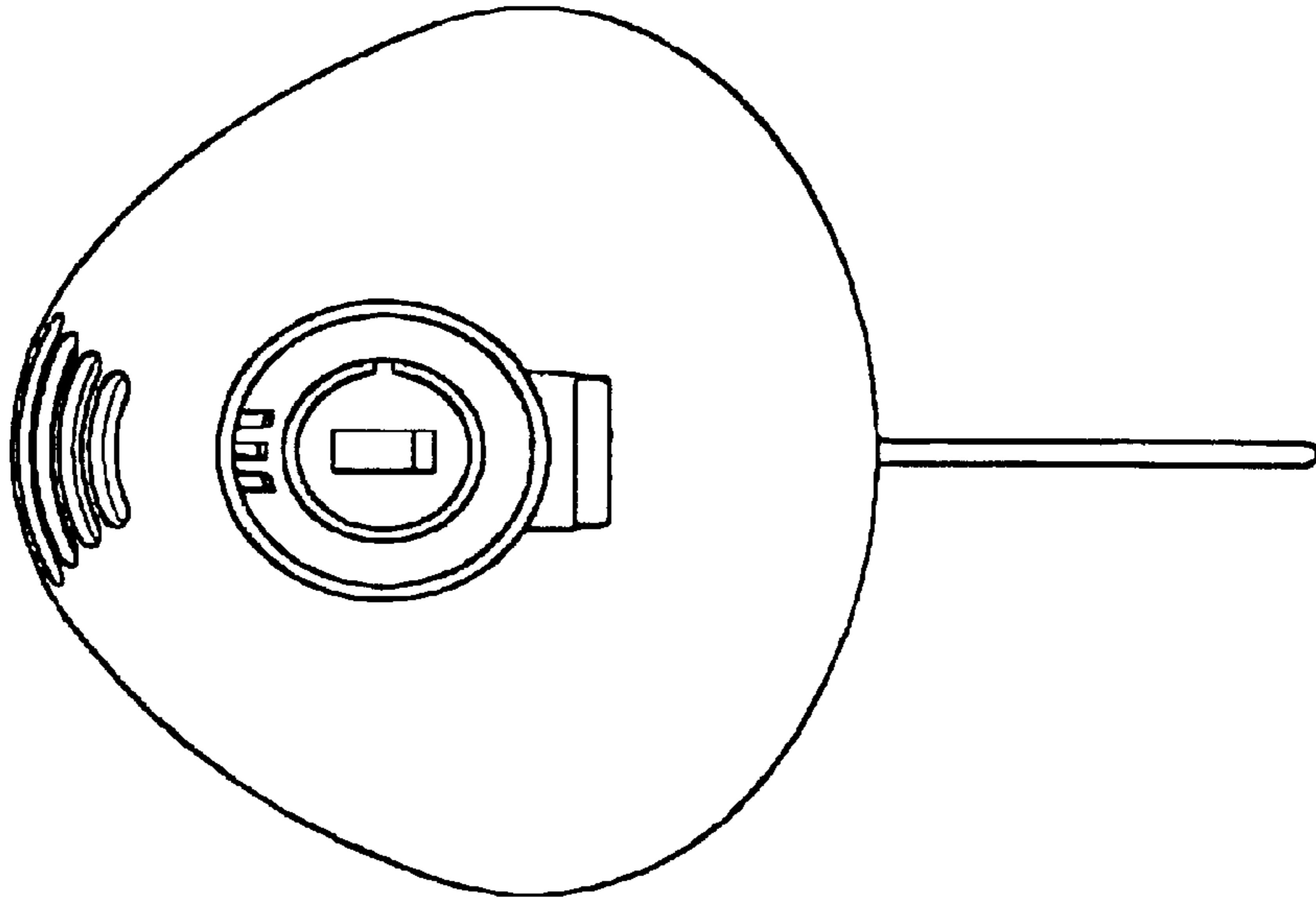


FIG.3

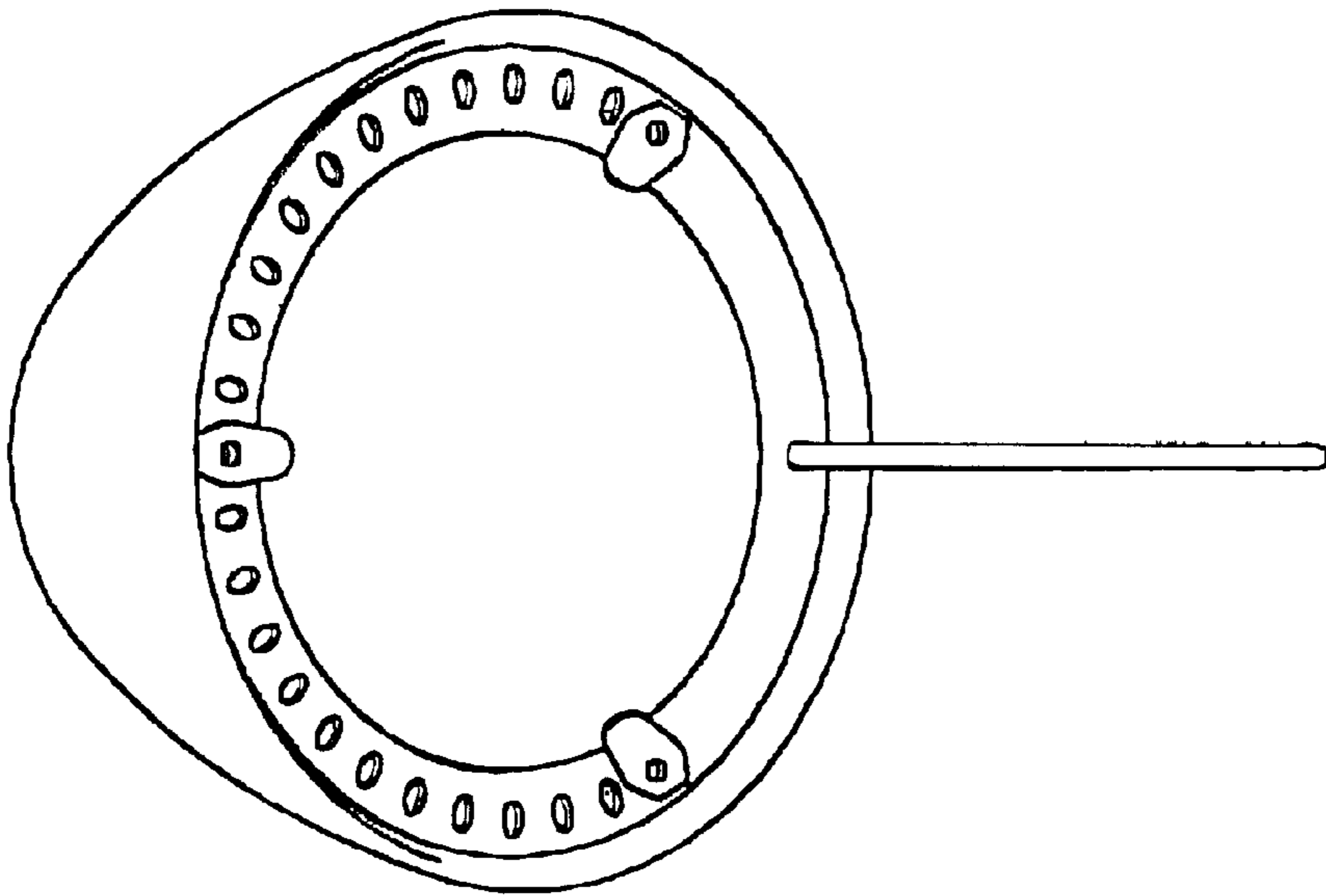


FIG.2

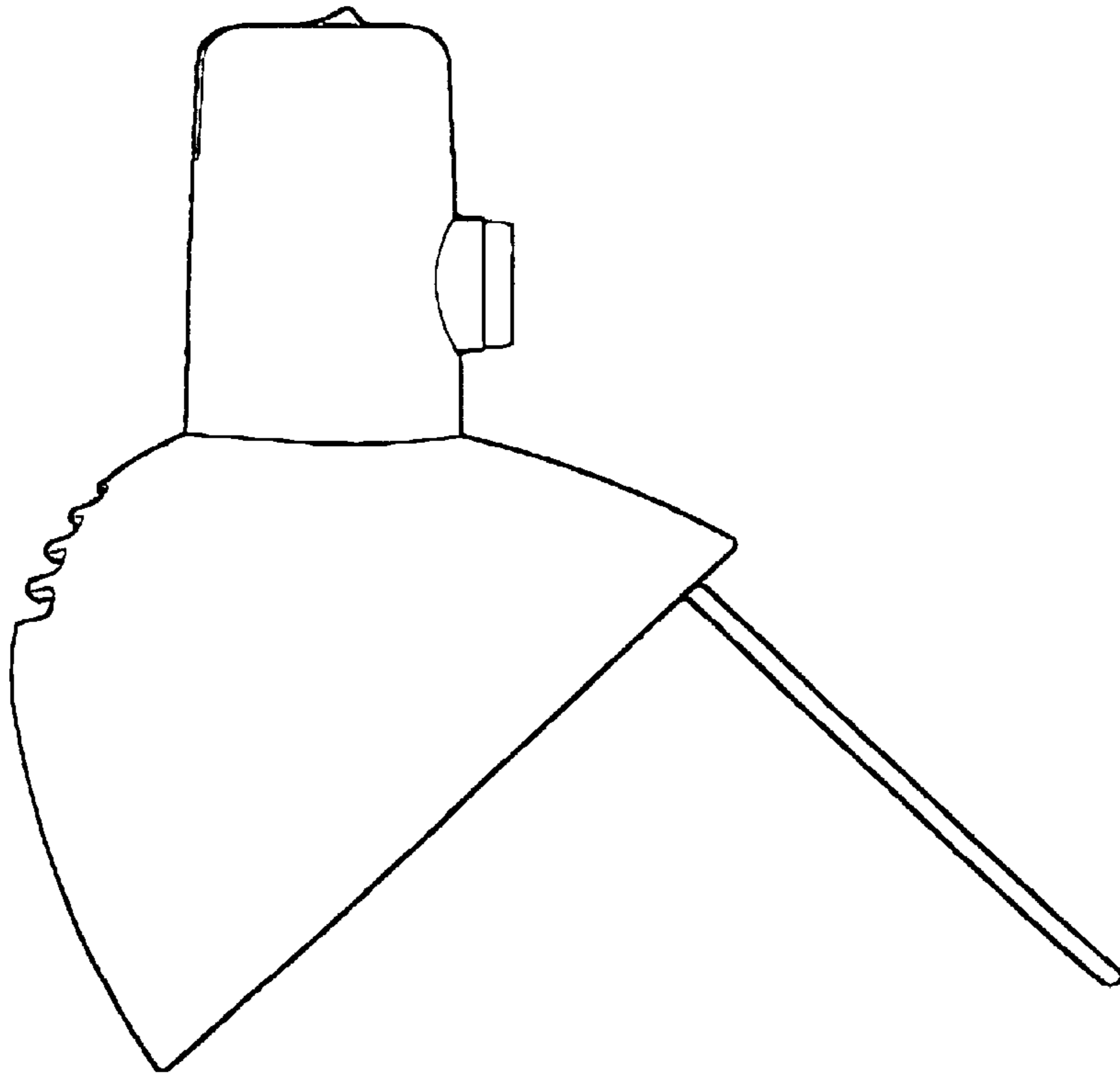


FIG.5

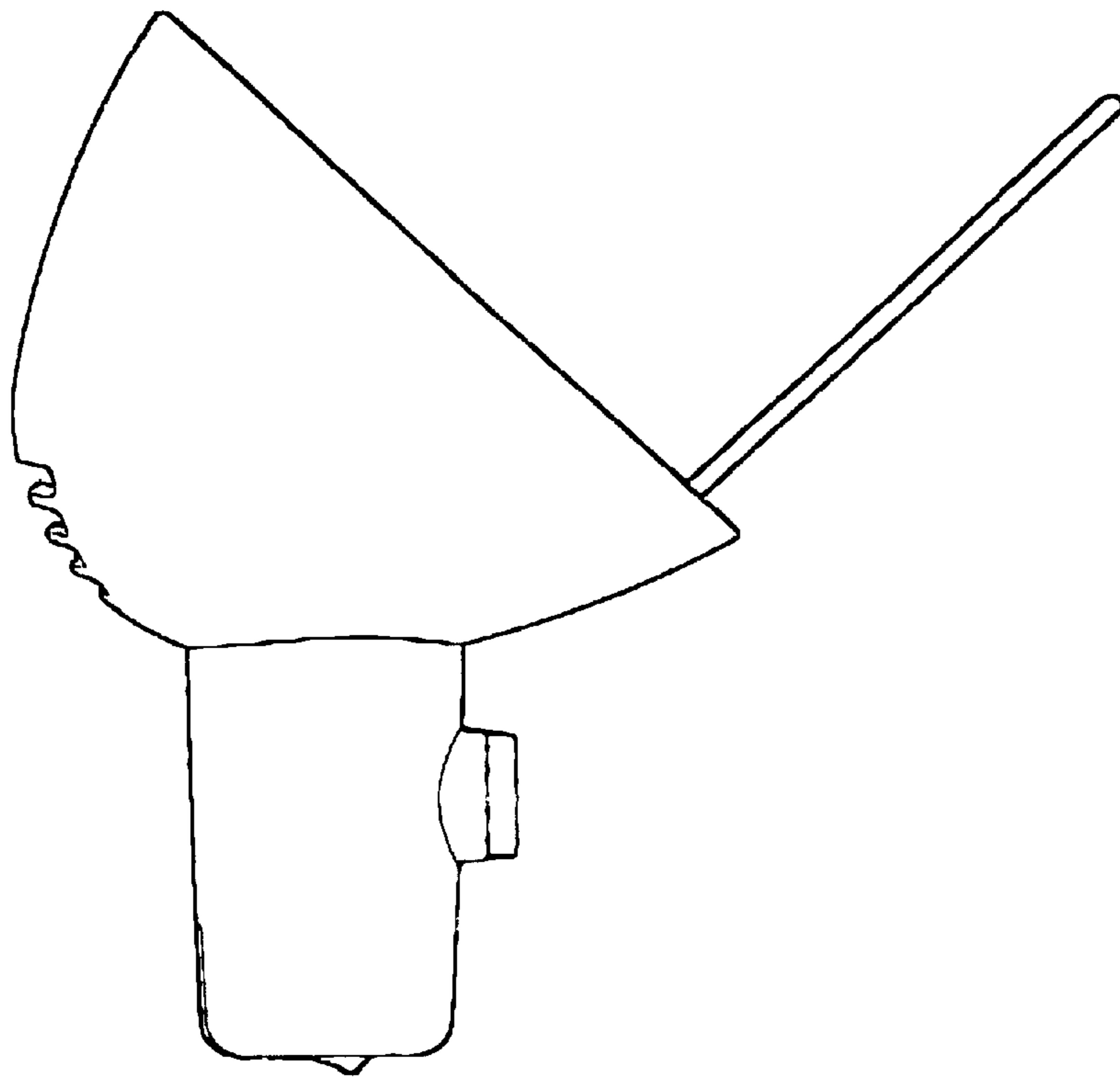


FIG.4

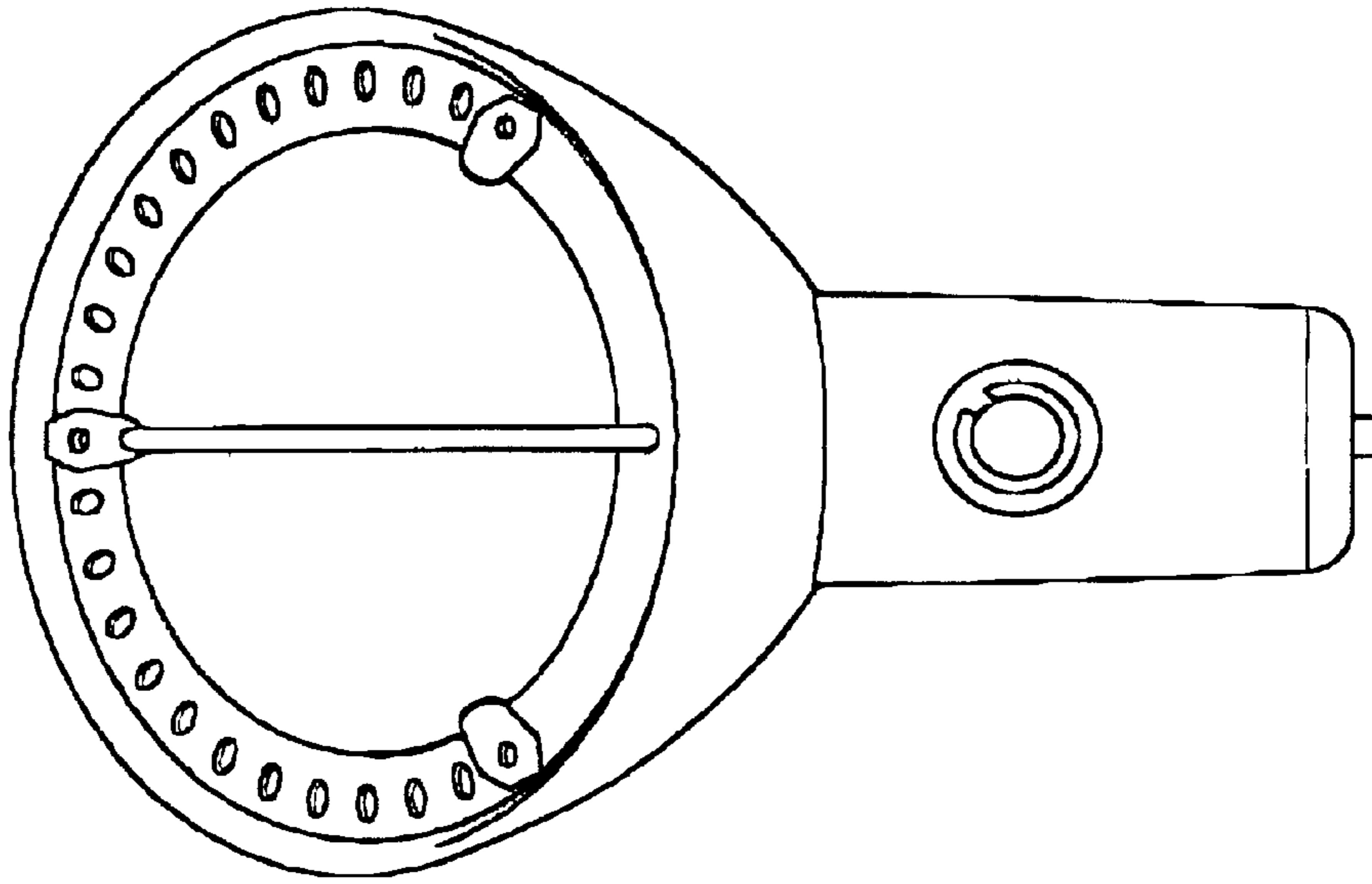


FIG. 7

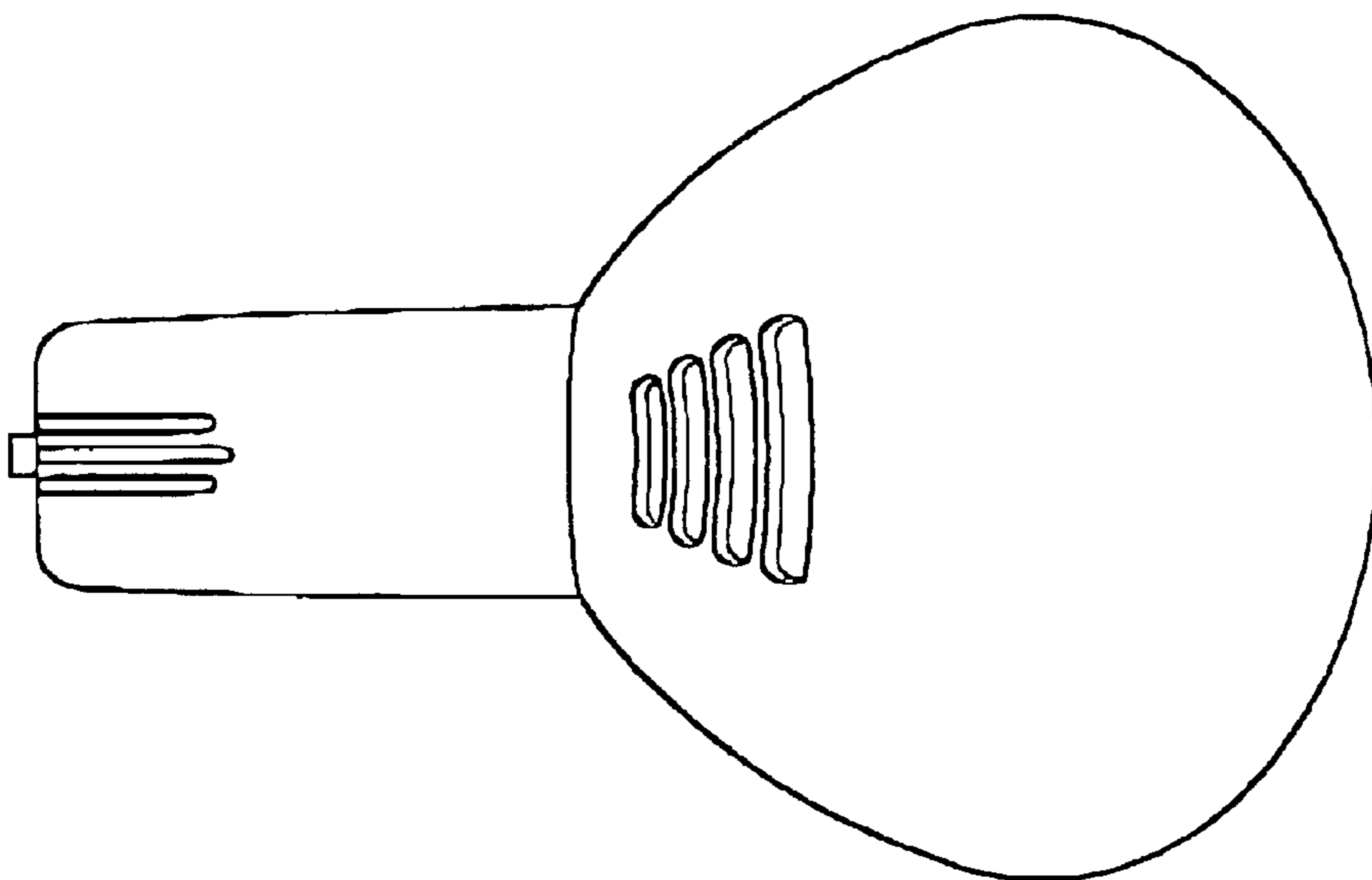


FIG. 6