



US00D474850S

(12) **United States Design Patent**  
**Katase et al.**

(10) **Patent No.:** **US D474,850 S**

(45) **Date of Patent:** **\*\* May 20, 2003**

(54) **PART OF FLUORESCENT LAMP**

D426,653 S \* 6/2000 Ho ..... D26/2  
D427,695 S \* 7/2000 Ho ..... D26/2

(75) Inventors: **Koichi Katase**, Osaka (JP); **Kenji Itaya**, Osaka (JP)

**FOREIGN PATENT DOCUMENTS**

(73) Assignee: **Matsushita Electric Industrial Co., Ltd.**, Osaka (JP)

JP Hei.9-320541 12/1997

(\*\*) Term: **14 Years**

\* cited by examiner

(21) Appl. No.: **29/165,251**

*Primary Examiner*—Marcus A. Jackson  
(74) *Attorney, Agent, or Firm*—Christensen O'Connor Johnson Kindness PLLC

(22) Filed: **Aug. 6, 2002**

(57) **CLAIM**

(30) **Foreign Application Priority Data**

The ornamental design for a part of fluorescent lamp, as shown and described.

Feb. 7, 2002 (JP) ..... 2002-002947

**DESCRIPTION**

(51) **LOC (7) Cl.** ..... **26-06**

(52) **U.S. Cl.** ..... **D26/2**

(58) **Field of Search** ..... D26/1, 2, 3, 4,  
D26/26; 313/313, 315, 317, 318, 493; 315/52,  
53, 56, 57

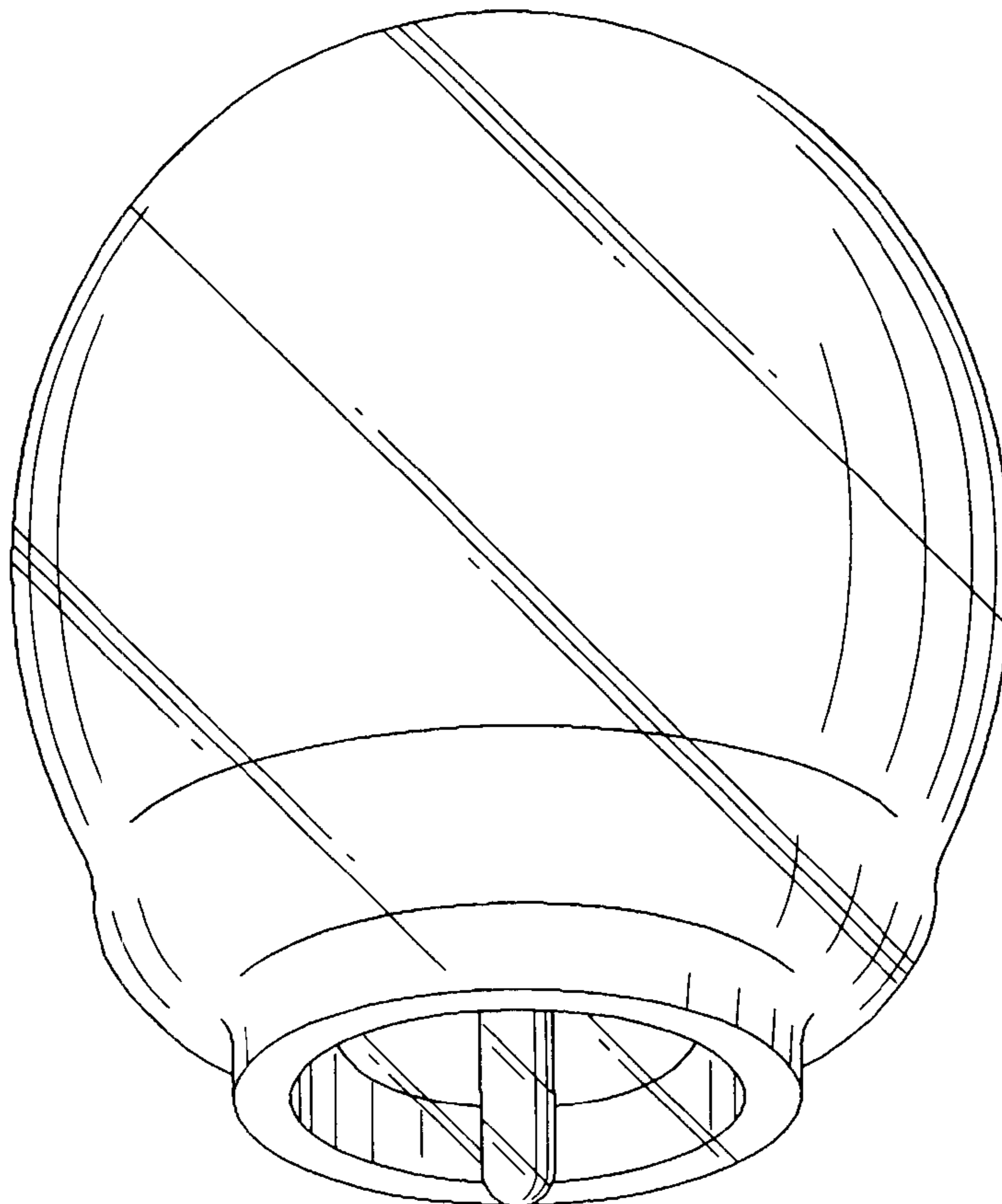
FIG. 1 is a perspective view of the front and bottom of a part of fluorescent lamp showing our new design;  
FIG. 2 is a front view thereof, the rear view being identical;  
FIG. 3 is a right side view thereof, the left side view being identical;  
FIG. 4 is a top plan view thereof;  
FIG. 5 is a bottom view thereof; and,  
FIG. 6 is a front elevational view thereof, with the broken line showing for illustrative purposes only and forming no part of the claimed design.

(56) **References Cited**

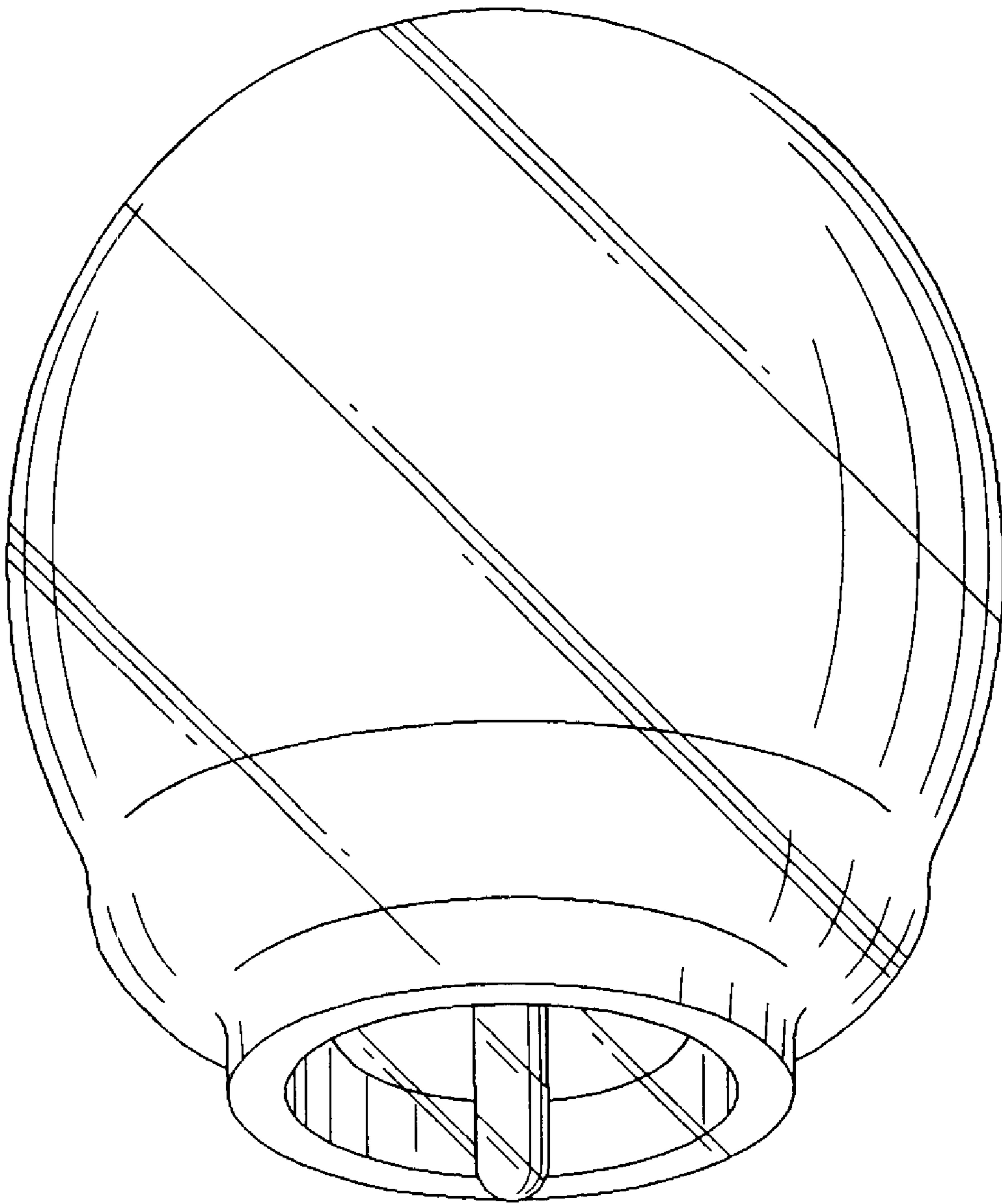
**U.S. PATENT DOCUMENTS**

5,959,405 A 9/1999 Soules et al.  
D420,155 S \* 2/2000 Kato et al. .... D26/2  
D426,323 S \* 6/2000 Ho ..... D26/2

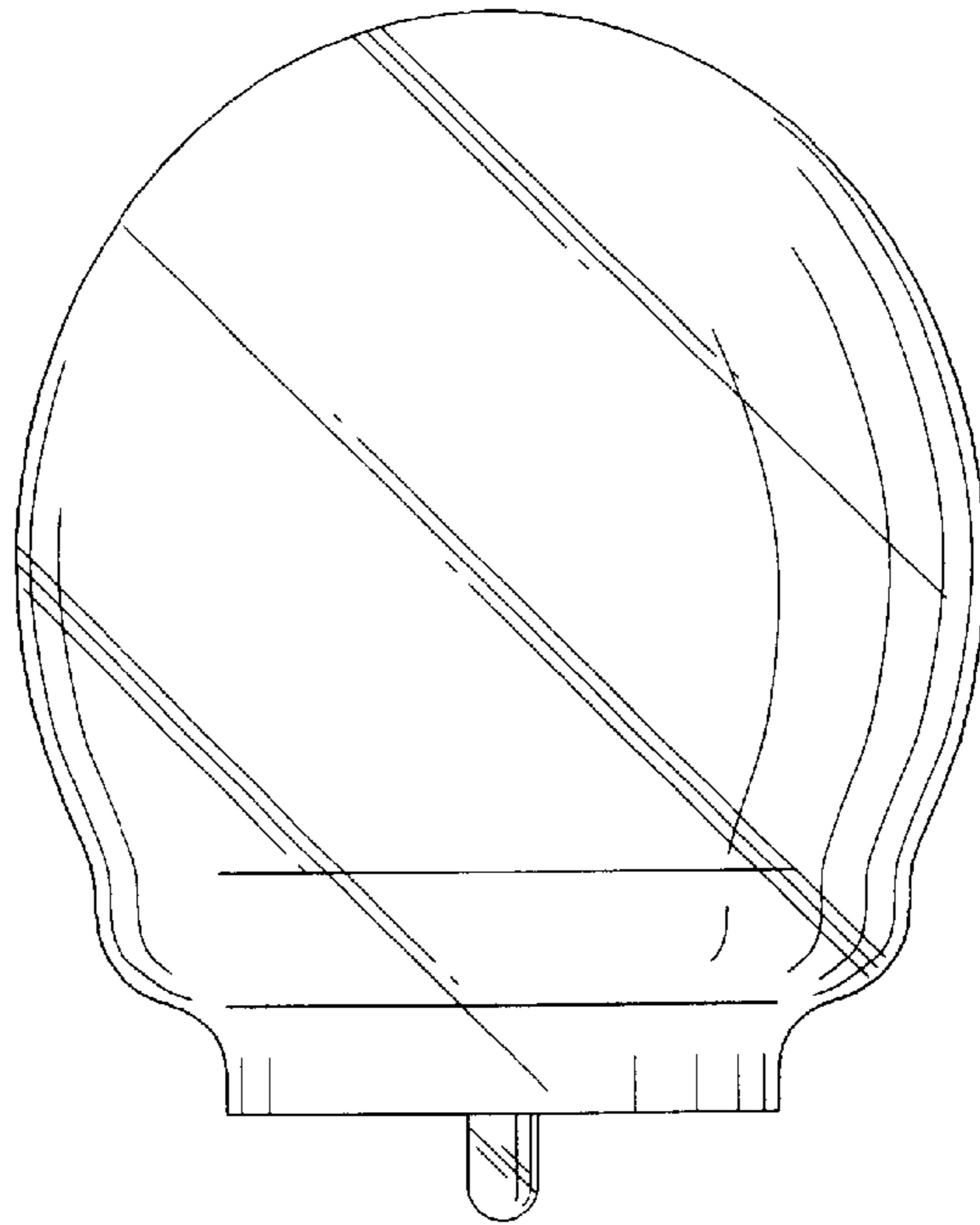
**1 Claim, 4 Drawing Sheets**



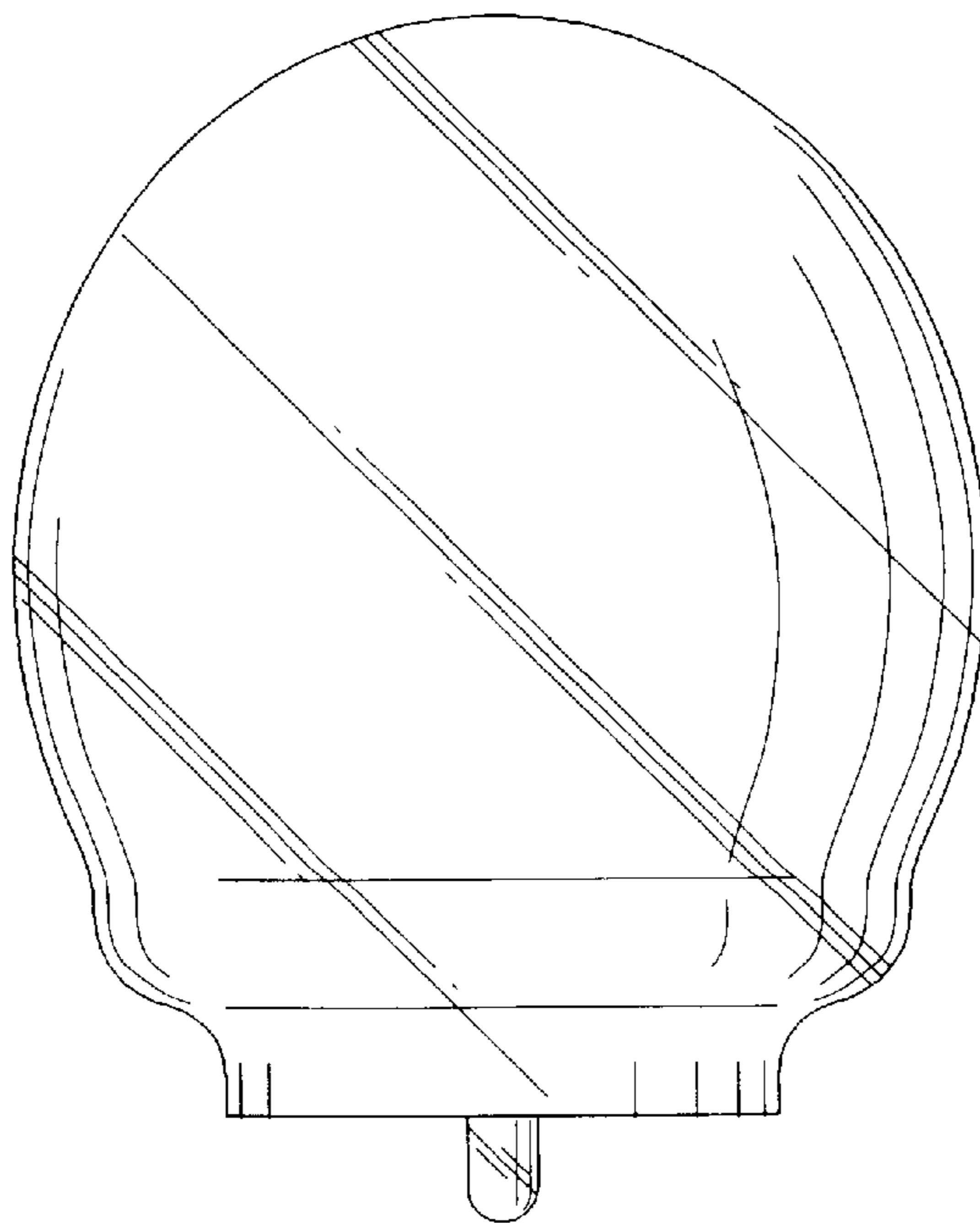
*FIG. 1*



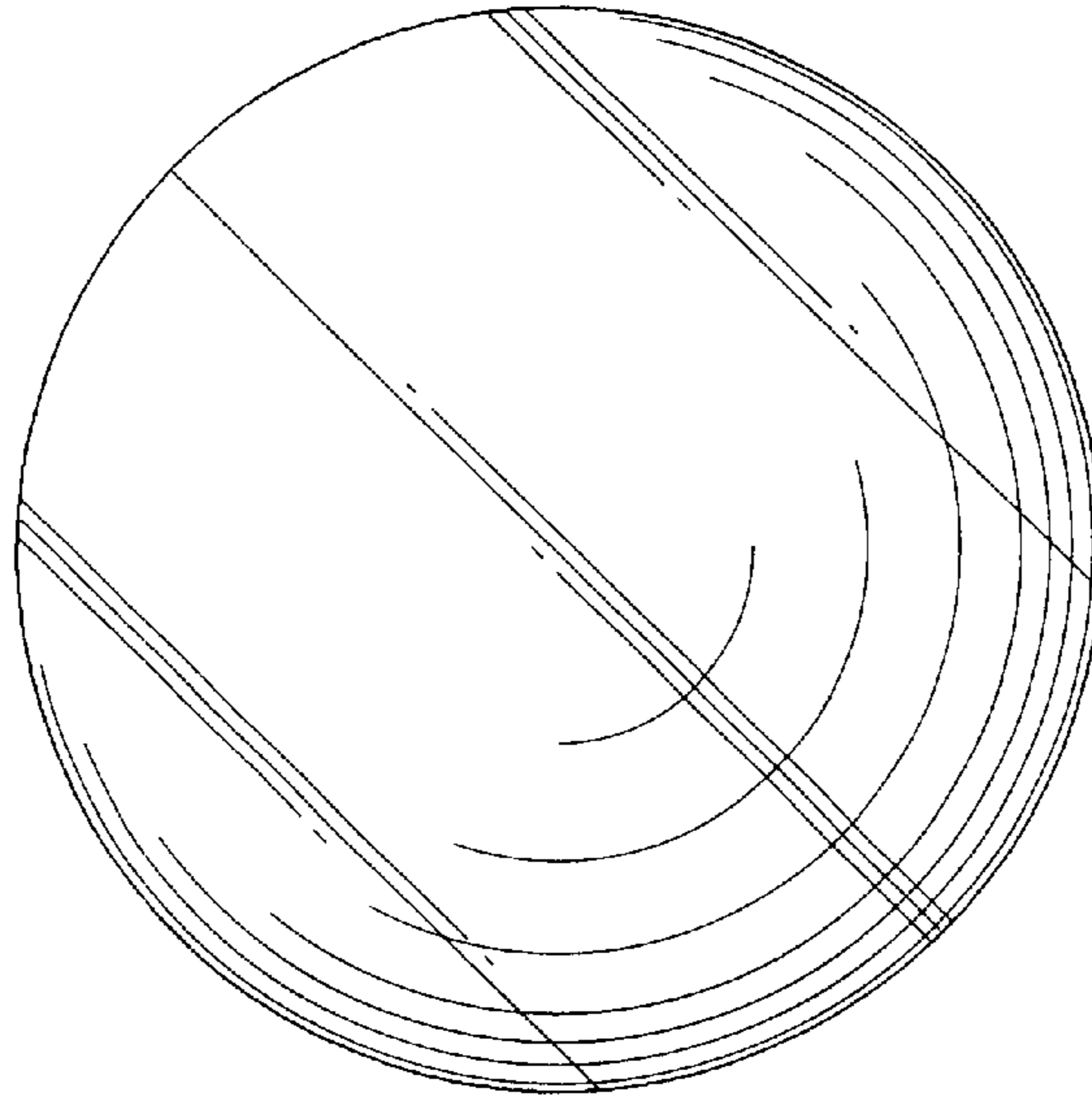
**FIG. 2**



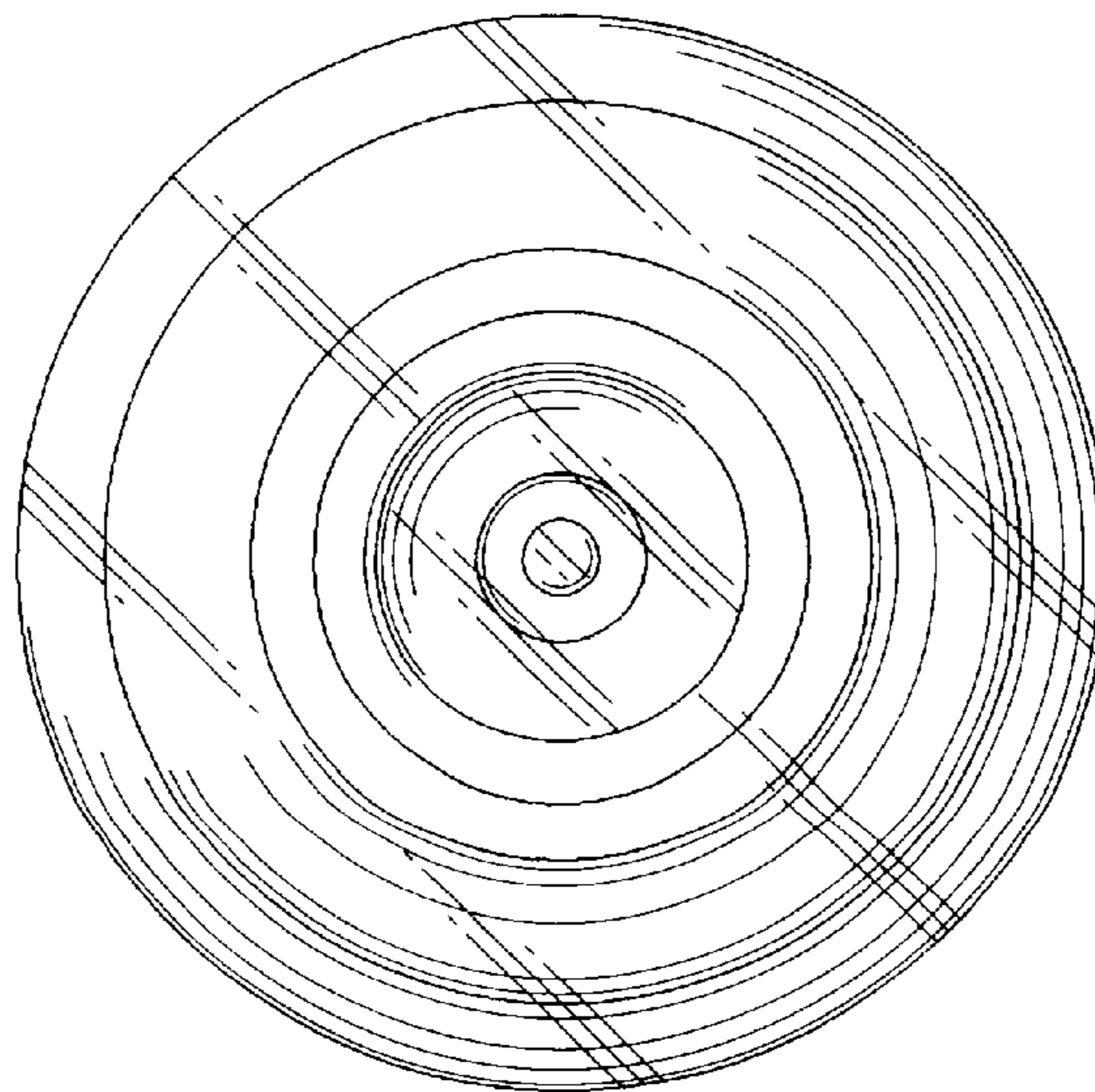
**FIG. 3**



**FIG. 4**



**FIG. 5**



*FIG. 6*

