



US00D474845S

(12) **United States Design Patent**
Babka et al.

(10) **Patent No.:** **US D474,845 S**

(45) **Date of Patent:** **** May 20, 2003**

(54) **DOOR SILL PORTION**

(75) Inventors: **Brian John Babka**, Hudson, WI (US);
Joseph Guy Reithmeyer, Afton, MN
(US); **Todd William Bruchu**, Lake
Elmo, MN (US)

4,290,233 A 9/1981 Hubbard
4,310,991 A 1/1982 Seely
4,352,258 A 10/1982 Bursk et al.
4,492,405 A 1/1985 Chikaraishi et al.
4,496,186 A 1/1985 Tuchiya et al.

(List continued on next page.)

(73) Assignee: **Andersen Corporation**, Bayport, MN
(US)

(**) Term: **14 Years**

(21) Appl. No.: **29/163,952**

(22) Filed: **Jul. 15, 2002**

FOREIGN PATENT DOCUMENTS

GB 1048101 11/1966

Primary Examiner—Doris Clark

(74) *Attorney, Agent, or Firm*—Merchant & Gould P.C.

(57) **CLAIM**

The ornamental design for a door sill portion, as shown and described.

Related U.S. Application Data

(63) Continuation of application No. 29/144,663, filed on Jul. 6, 2001, now Pat. No. Des. 460,563.

(51) **LOC (7) Cl.** **25-01**

(52) **U.S. Cl.** **D25/119**

(58) **Field of Search** D25/48, 199; 49/475.1,
49/467, 407, 411; 52/204.5

DESCRIPTION

FIG. 1 is a perspective view of the top, side and front of a first embodiment of the new design.

FIG. 2 is a left side elevation view of a first embodiment of the new design. The right side elevation view of the first embodiment is a mirror image of the left side elevation view.

FIG. 3 is a front elevation view of a first embodiment of the new design.

FIG. 4 is a top plan view of a first embodiment of the new design.

FIG. 5 is a perspective view of the top, side and front of a second embodiment of the new design.

FIG. 6 is a left side elevation view of a second embodiment of the new design. The right side view of the second embodiment is a mirror image of the left side view.

FIG. 7 is a front elevation view of a second embodiment of the new design; and,

FIG. 8 is a top plan view of a second embodiment of the new design.

The broken lines are for illustrative purposes only and form no part of the claimed design.

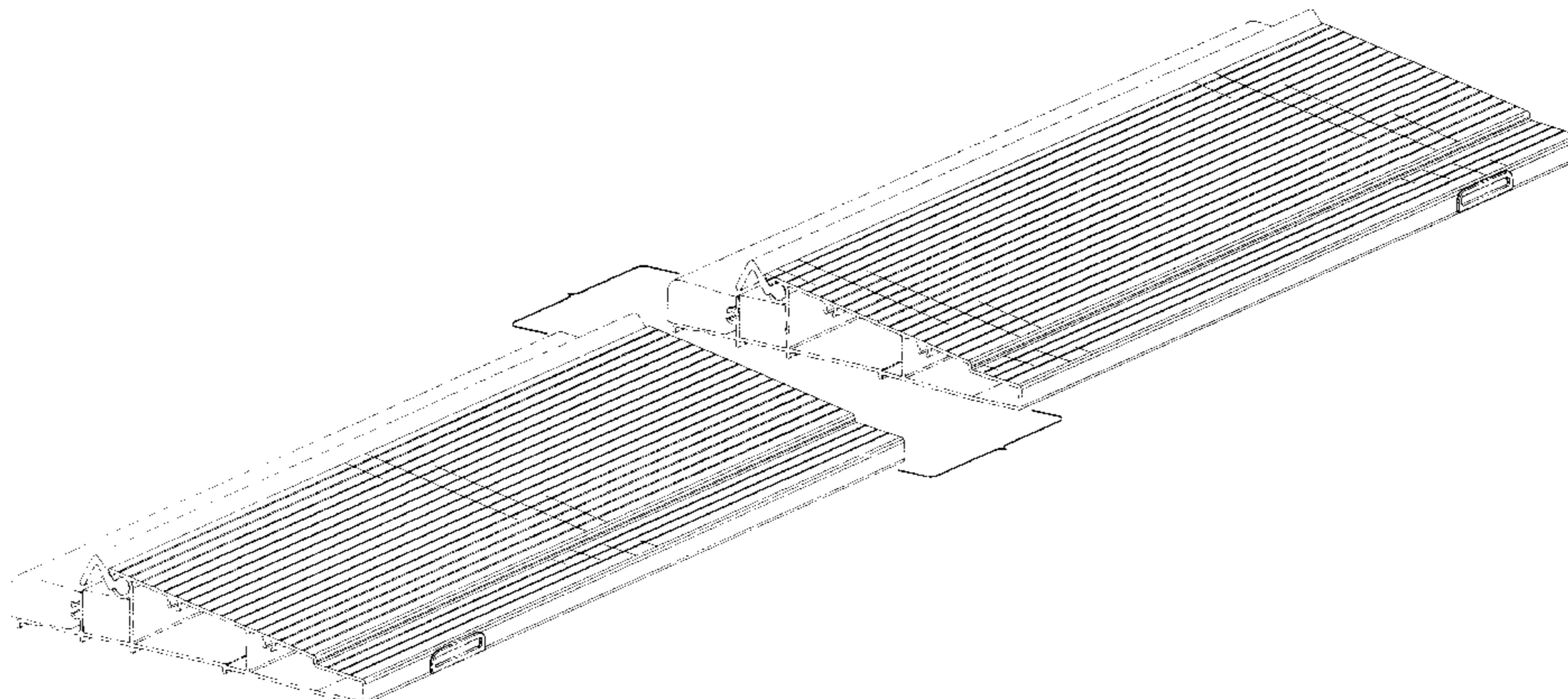
The door sill portion is broken and bracketed in the center to indicate indefinite length.

(56) **References Cited**

U.S. PATENT DOCUMENTS

220,460 A	10/1879	York
364,434 A	6/1887	Pitmon
582,451 A	5/1897	Brannon
1,795,853 A	3/1931	Glass
3,633,316 A	1/1972	Belser
3,762,100 A	10/1973	Kempel
3,900,967 A	8/1975	Bursk et al.
3,967,412 A	7/1976	Governale
4,006,562 A	2/1977	Belanger et al.
4,047,751 A	9/1977	Koike
4,055,917 A	11/1977	Coller
4,060,272 A	11/1977	Mori
4,074,464 A	2/1978	McCay
4,079,550 A	3/1978	Bursk et al.
4,224,766 A	9/1980	Procton
4,237,664 A	12/1980	Wilmes
4,255,902 A	3/1981	Ruff
4,287,684 A	9/1981	McKann

1 Claim, 8 Drawing Sheets



US D474,845 S

Page 2

U.S. PATENT DOCUMENTS

4,513,536 A	4/1985	Giguere	4,807,923 A	2/1989	Nakamura
4,549,761 A	10/1985	Lee et al.	4,825,507 A	5/1989	Killingstad
4,626,026 A	12/1986	Hasegawa	4,831,779 A	5/1989	Kehrli et al.
4,628,639 A	12/1986	Lownsdale	4,919,471 A	4/1990	Seino et al.
4,686,793 A	8/1987	Mills	D354,572 S	1/1995	Headrick
4,716,683 A	1/1988	Minter	6,122,864 A	9/2000	Martin
4,726,147 A	2/1988	Beske et al.	6,138,413 A	10/2000	Fehr
			6,161,343 A	12/2000	Young

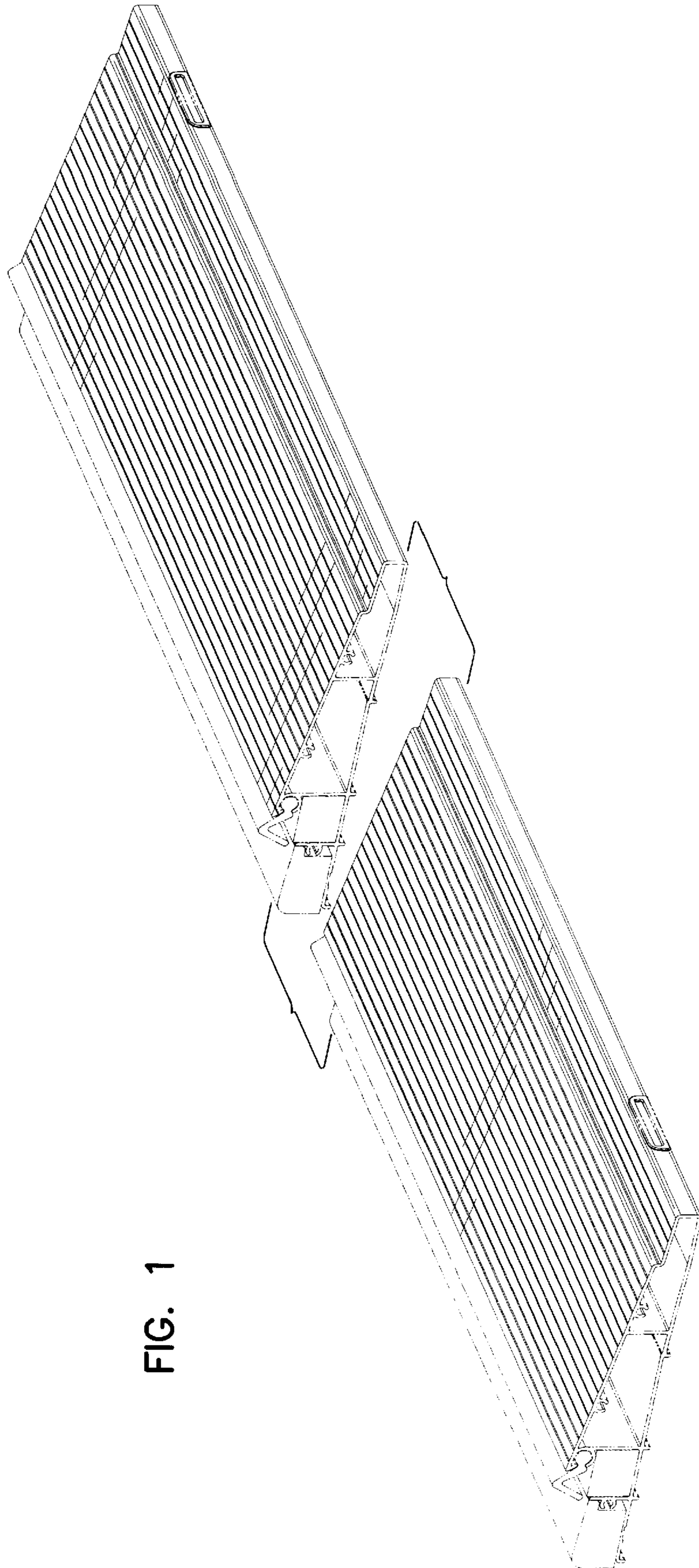


FIG. 1

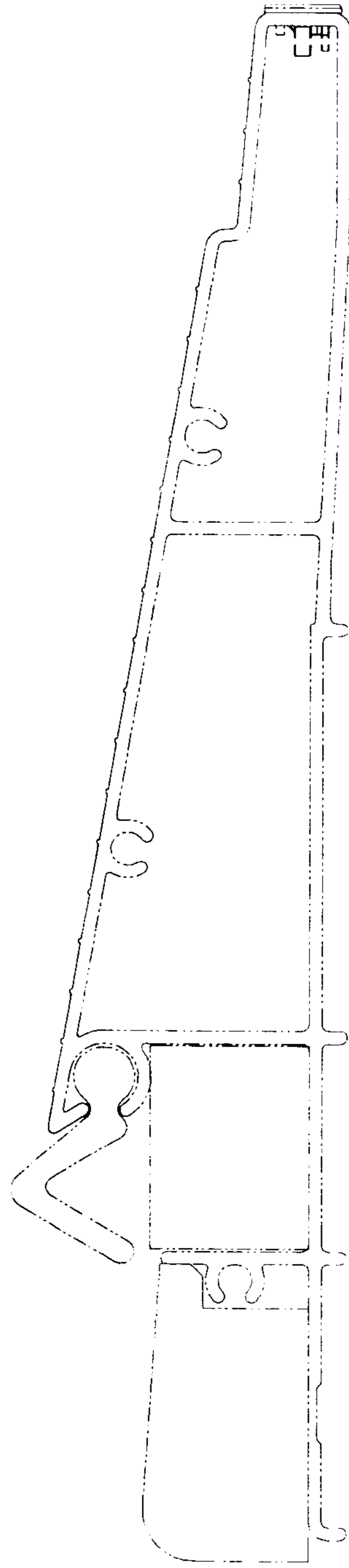


FIG. 2

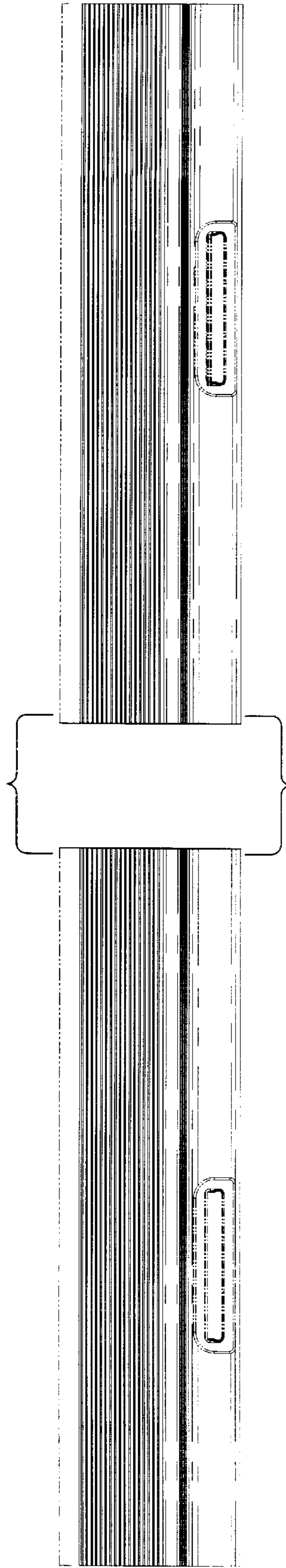
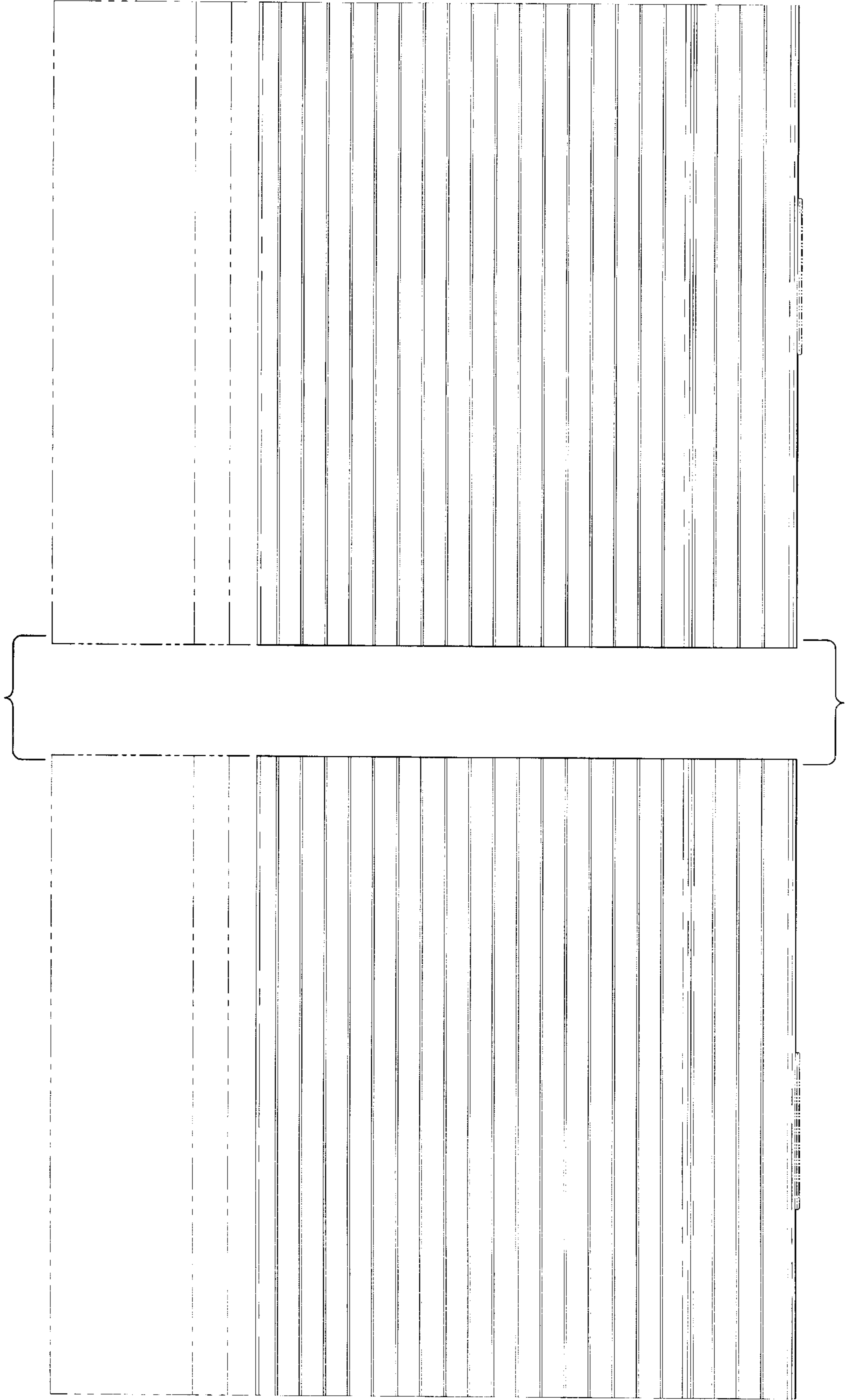


FIG. 3

FIG. 4



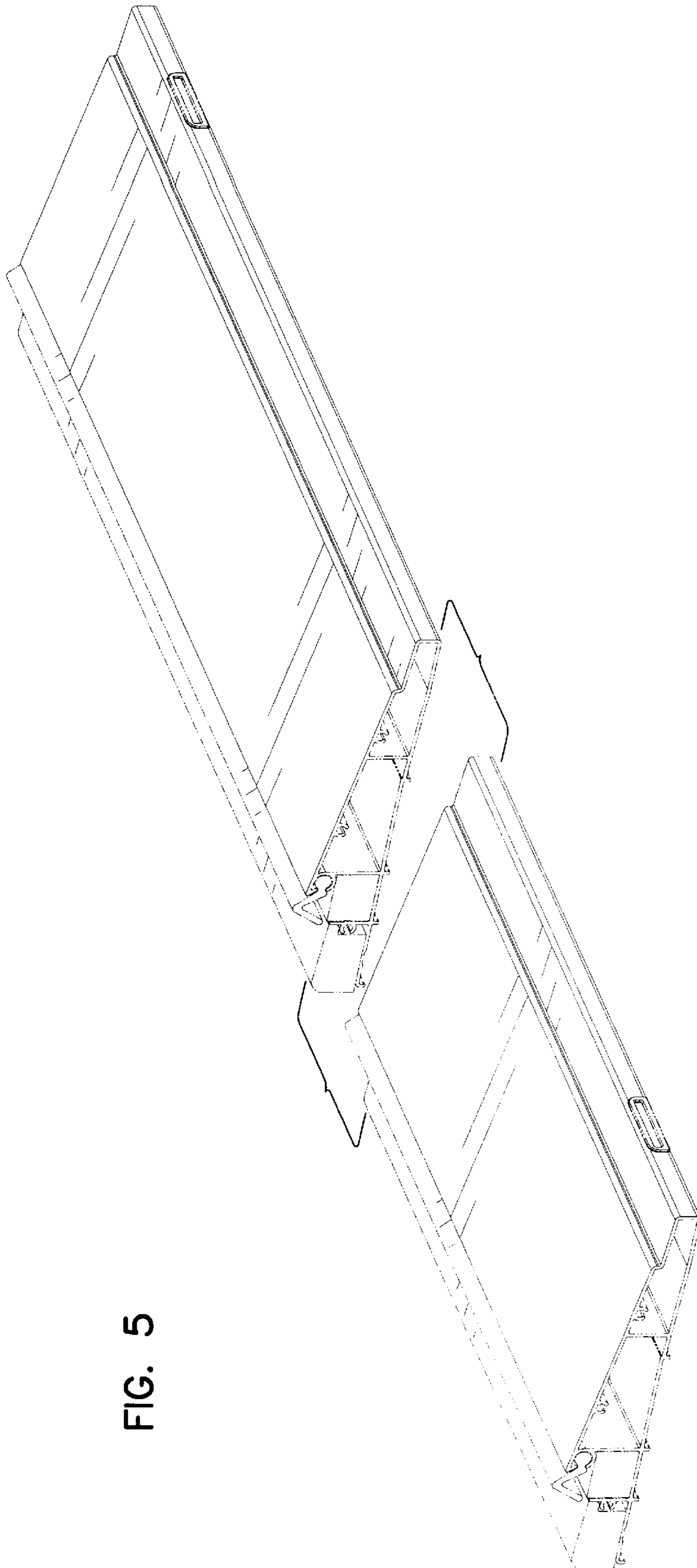


FIG. 5

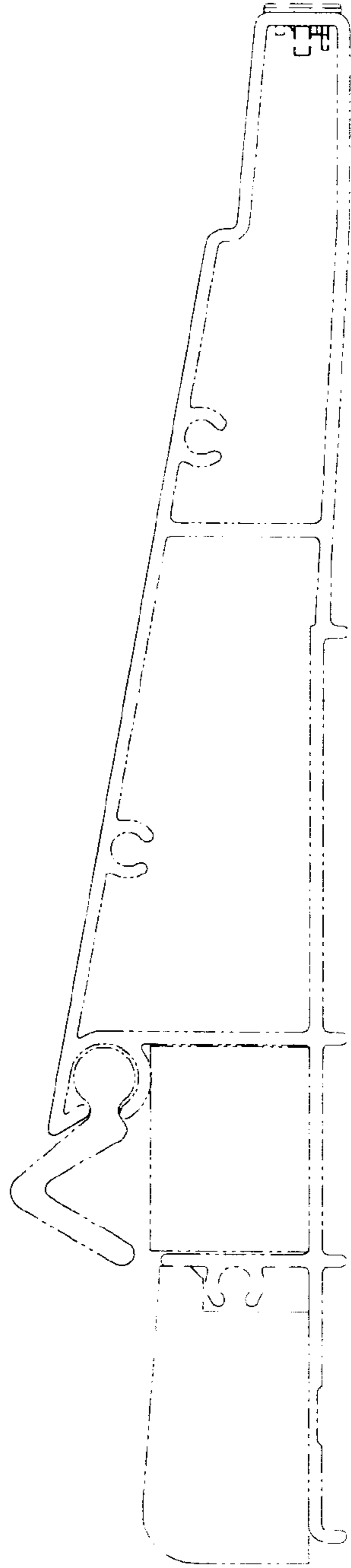


FIG. 6

FIG. 7

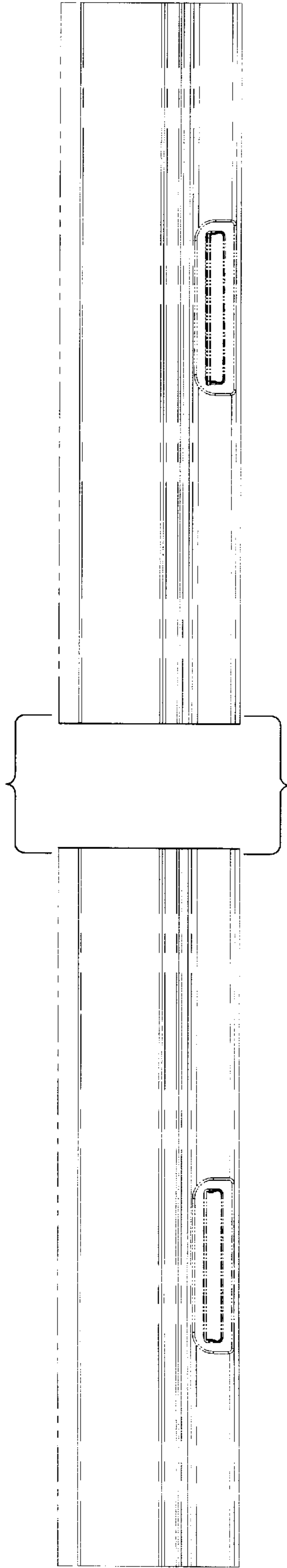


FIG. 8

