



US00D474844S

(12) **United States Design Patent**
Babka et al.

(10) **Patent No.:** **US D474,844 S**

(45) **Date of Patent:** **** *May 20, 2003**

(54) **DOOR SILL**

(75) Inventors: **Brian John Babka**, Hudson, WI (US);
Joseph Guy Reithmeyer, Afton, MN (US);
Todd William Bruchu, Lake Elmo, MN (US)

(73) Assignee: **Andersen Corporation**, Bayport, MN (US)

(*) Notice: This patent is subject to a terminal disclaimer.

(**) Term: **14 Years**

(21) Appl. No.: **29/144,635**

(22) Filed: **Jul. 6, 2001**

(51) **LOC (7) Cl.** **25-02**

(52) **U.S. Cl.** **D25/48**

(58) **Field of Search** D25/48; 49/467,
49/468, 469, 470, 471

(56) **References Cited**

U.S. PATENT DOCUMENTS

D354,572 S * 1/1995 Headrick D25/48
5,611,173 A * 3/1997 Headrick et al. 49/468

* cited by examiner

Primary Examiner—Doris Clark

(74) *Attorney, Agent, or Firm*—Merchant & Gould P.C.

(57) **CLAIM**

The ornamental design for a door sill, as shown and described.

DESCRIPTION

FIG. 1 is a perspective view of the top, side and front of a first embodiment of the new design.

FIG. 2 is a left side elevation view of a first embodiment of the new design. The right side elevation view of the first embodiment is a mirror image of the left side elevation view.

FIG. 3 is a front elevation view of a first embodiment of the new design.

FIG. 4 is a rear elevation view of a first embodiment of the new design.

FIG. 5 is a top plan view of a first embodiment of the new design.

FIG. 6 is a bottom plan view of a first embodiment of the new design.

FIG. 7 is a perspective view of the top, side and front of a second embodiment of the new design.

FIG. 8 is a left side elevation view of a second embodiment of the new design. The right side view of the second embodiment is a mirror image of the left side view.

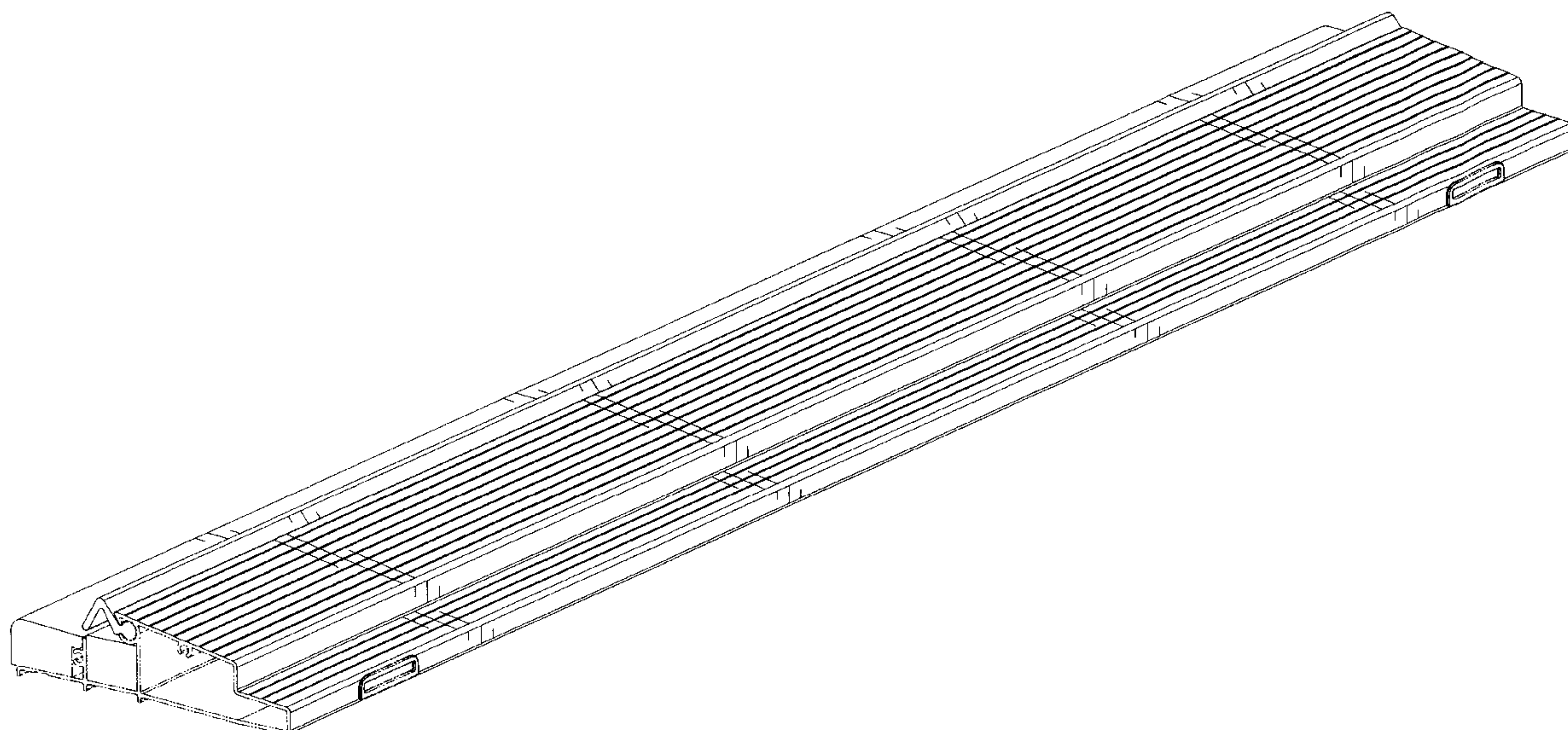
FIG. 9 is a front elevation view of a second embodiment of the new design; and,

FIG. 10 is a top plan view of a second embodiment of the new design.

The rear elevation view and bottom plan view of the second embodiment of the new design are identical to the same views of the first embodiment shown in FIGS. 4 and 6, respectively.

The broken lines are for illustrative purposes only and form no part of the claimed design.

1 Claim, 9 Drawing Sheets



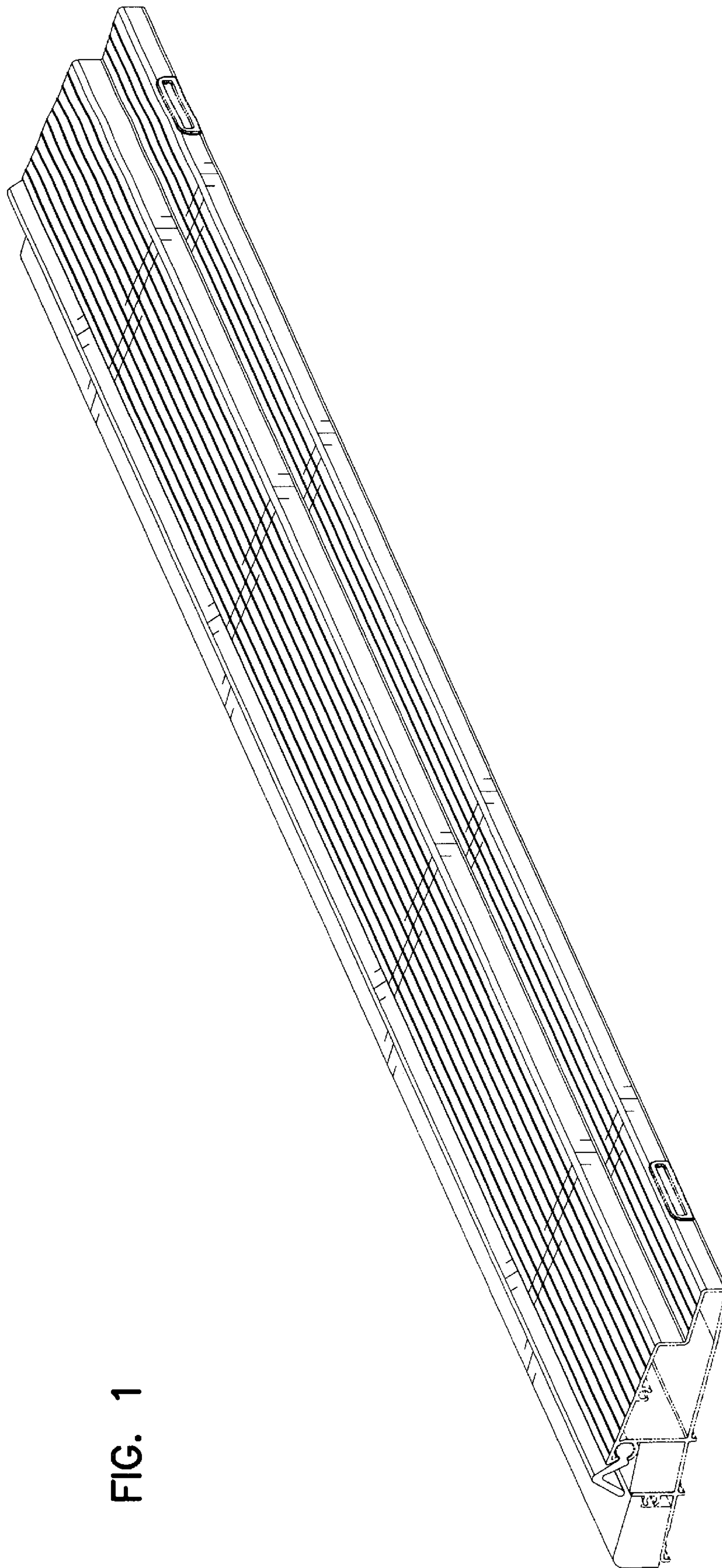


FIG. 1

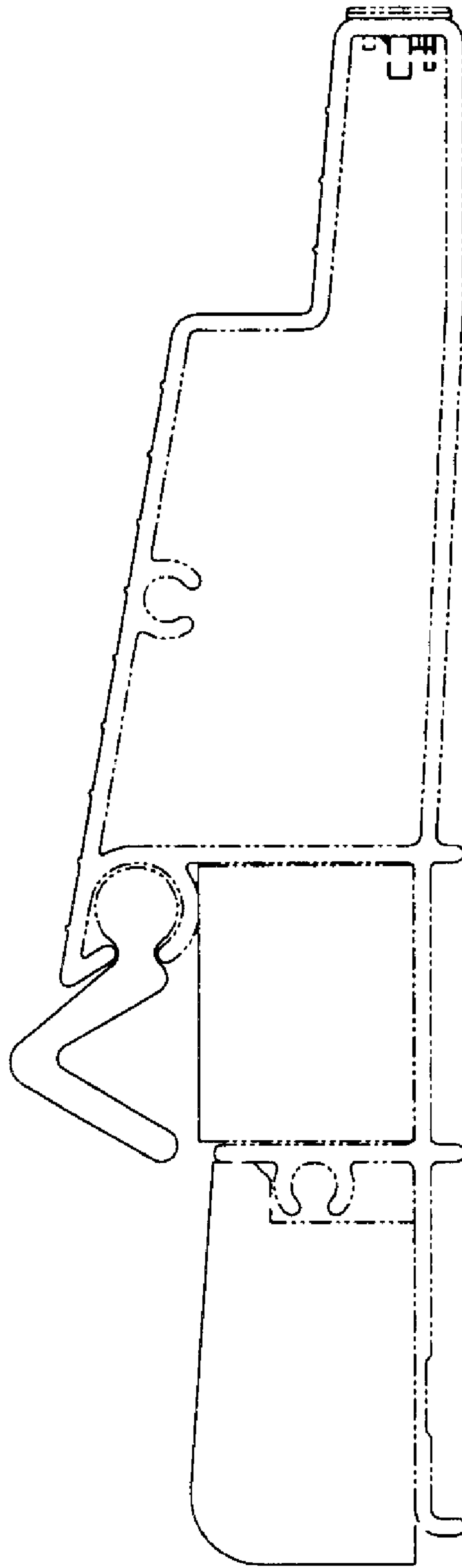


FIG. 2

FIG. 3

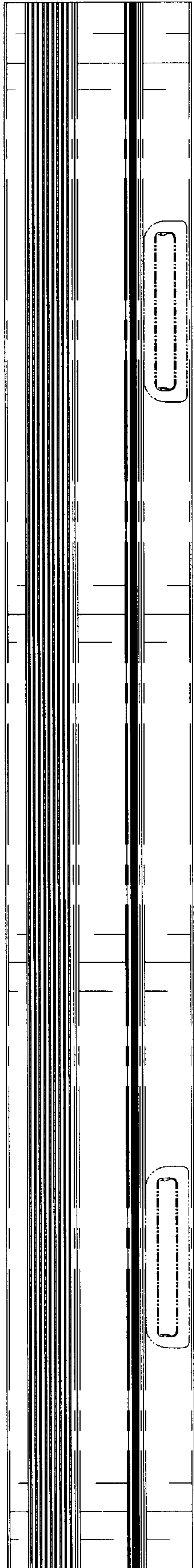


FIG. 4

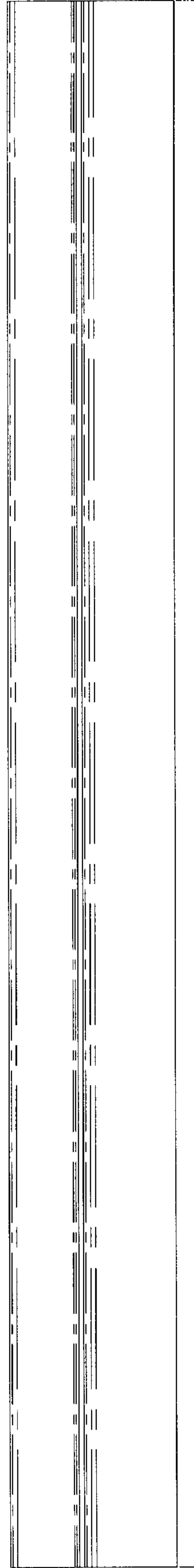


FIG. 5

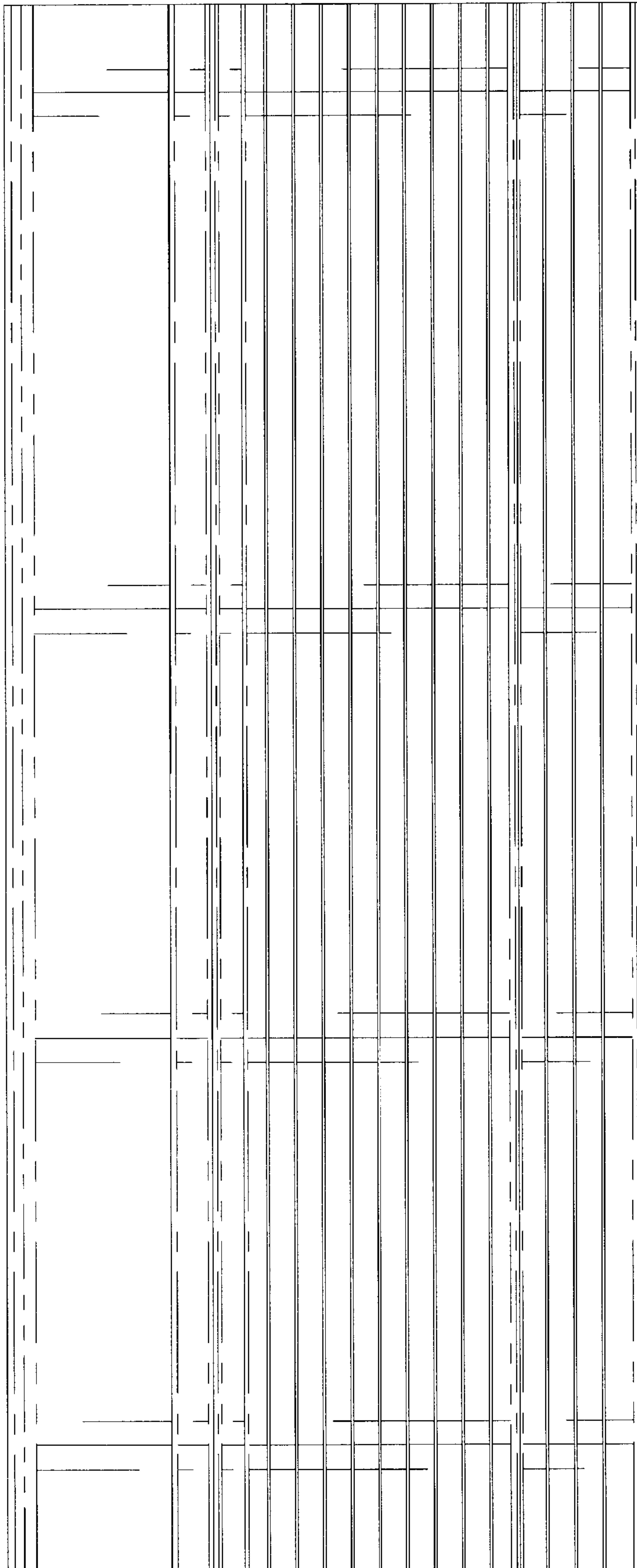
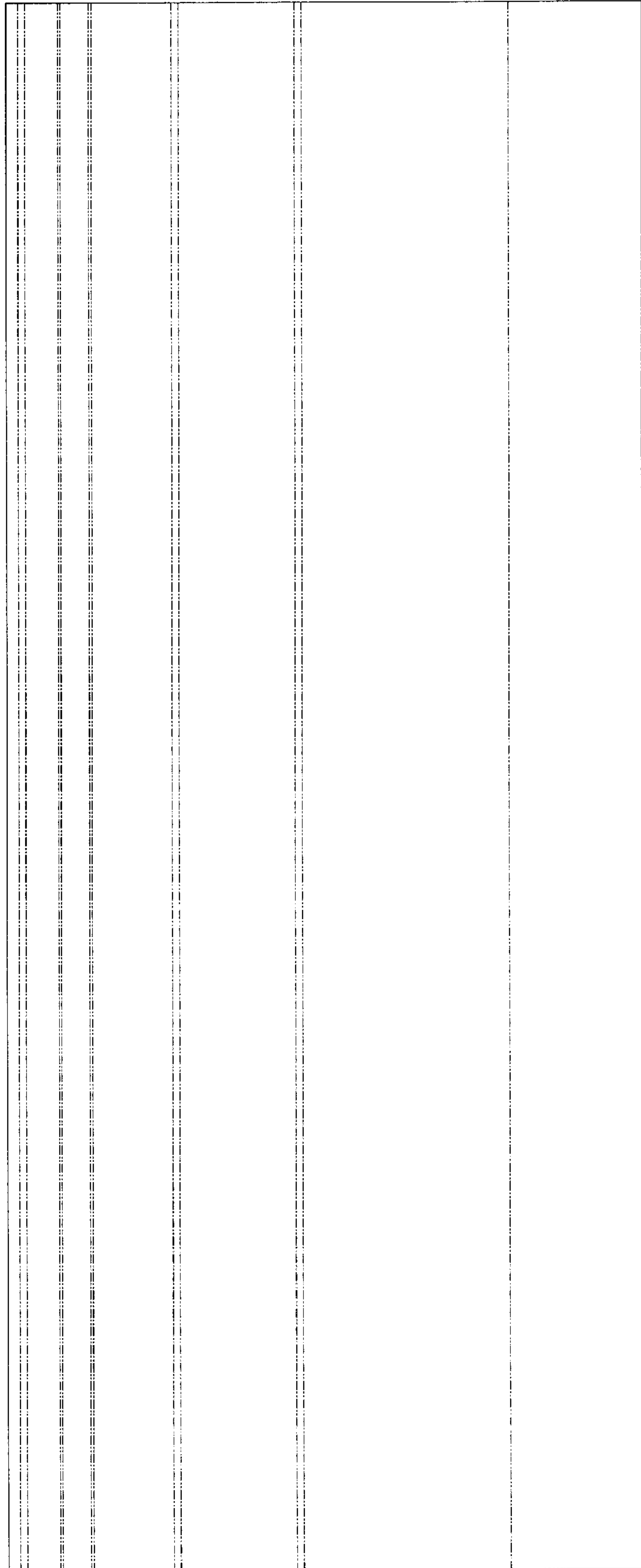


FIG. 6



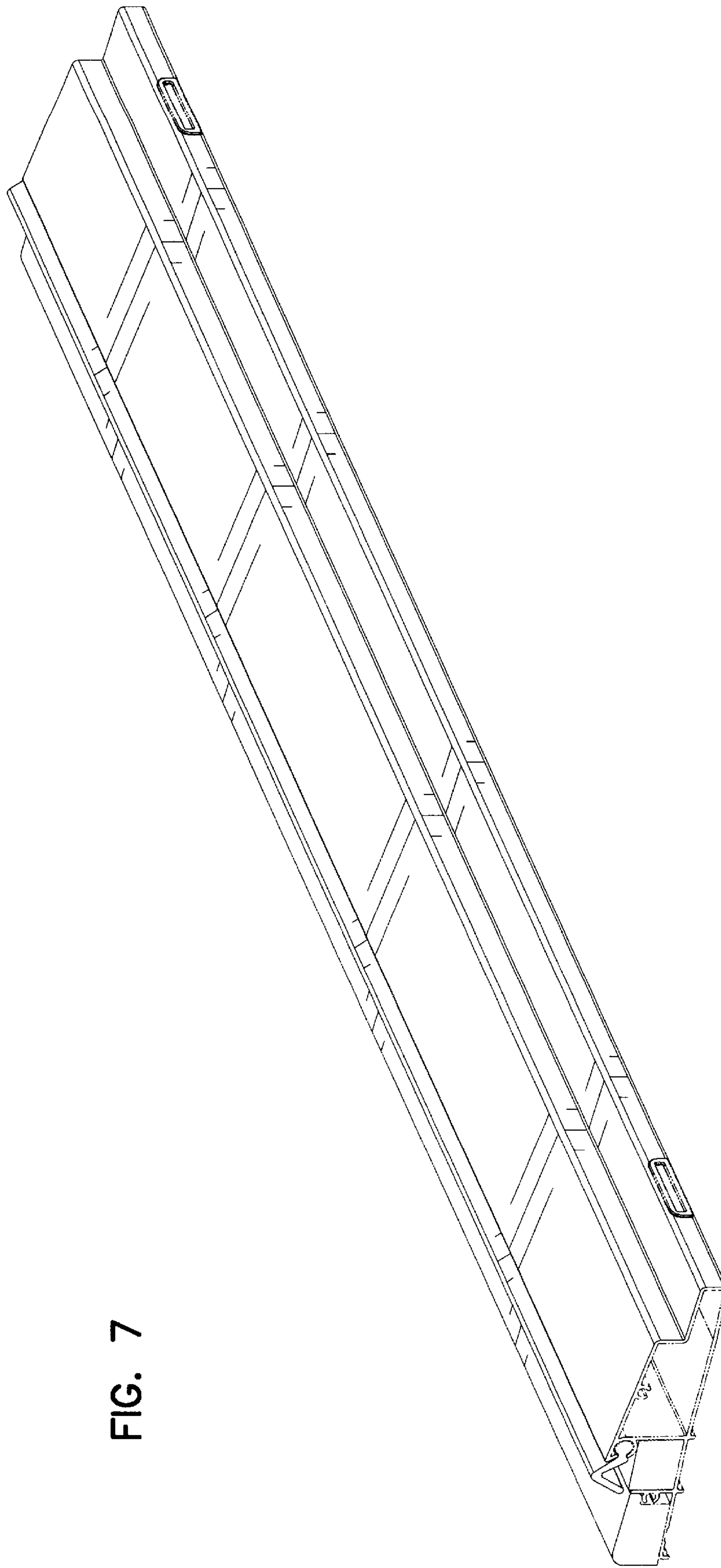
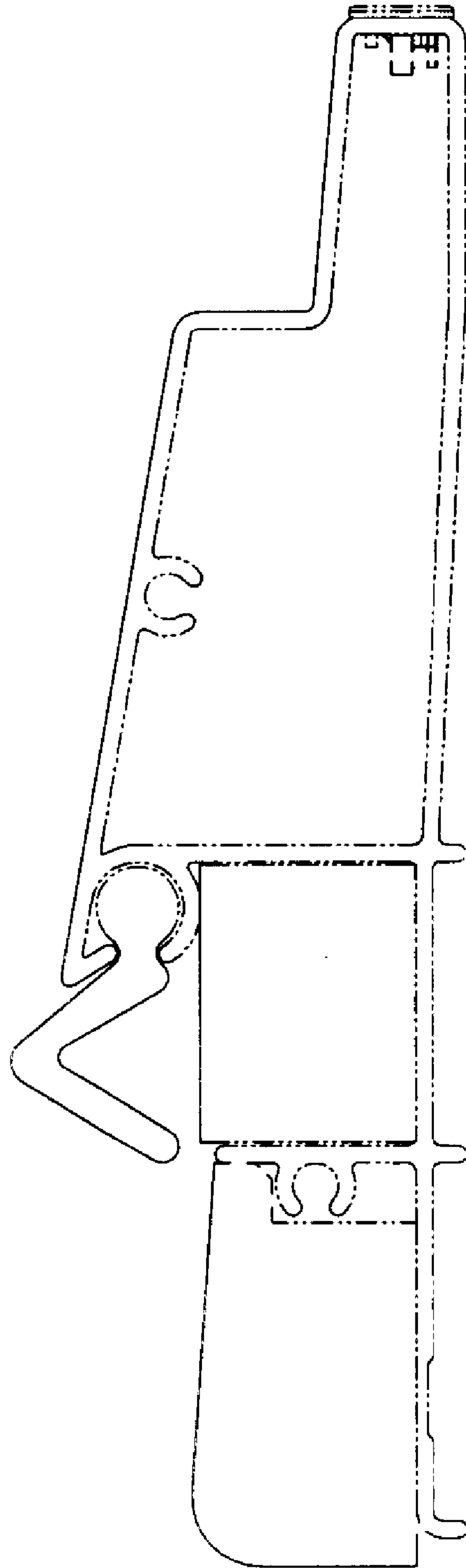


FIG. 7

FIG. 8



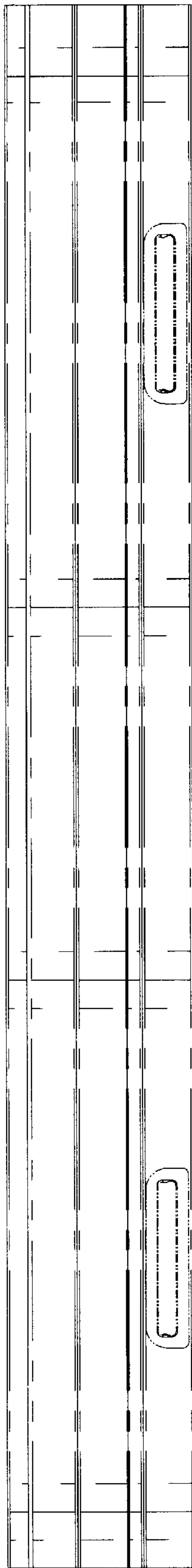


FIG. 9

FIG. 10

