



US00D474840S

(12) **United States Design Patent**  
**Crawford**

(10) **Patent No.:** **US D474,840 S**

(45) **Date of Patent:** **\*\* May 20, 2003**

(54) **NEEDLE DISPOSAL INSERT**

(75) **Inventor:** **Jamieson William Maclean Crawford,**  
New York, NY (US)

(73) **Assignee:** **Becton, Dickinson and Company,**  
Franklin Lakes, NJ (US)

(\*\*) **Term:** **14 Years**

(21) **Appl. No.:** **29/161,338**

(22) **Filed:** **May 24, 2002**

(51) **LOC (7) Cl. .... 24-02**

(52) **U.S. Cl. .... D24/131**

(58) **Field of Search .... D24/131, 130;**  
206/370, 366, 363, 365, 364, 367

(56) **References Cited**

**U.S. PATENT DOCUMENTS**

4,875,265 A	*	10/1989	Yoshida	.....	206/366
5,092,462 A	*	3/1992	Sagstetter et al.	.....	206/366
5,183,156 A	*	2/1993	Bruno	.....	206/366
5,322,164 A	*	6/1994	Richardson et al.	.....	206/366
5,402,887 A	*	4/1995	Shillington	.....	206/366

5,409,112 A	*	4/1995	Sagstetter	.....	206/366
5,474,181 A	*	12/1995	Shillington et al.	.....	206/370
5,573,113 A	*	11/1996	Shillington et al.	.....	206/366
5,810,167 A	*	9/1998	Fujii	.....	206/365
5,857,569 A	*	1/1999	Hoftman et al.	.....	206/366
6,036,671 A	*	3/2000	Frey	.....	206/364
6,247,592 B1	*	6/2001	Racicot et al.	.....	206/366
6,253,916 B1	*	7/2001	Bickel	.....	206/366

\* cited by examiner

*Primary Examiner*—Ian Simmons

(74) *Attorney, Agent, or Firm*—Gerald E. Hespos; Anthony J. Casella

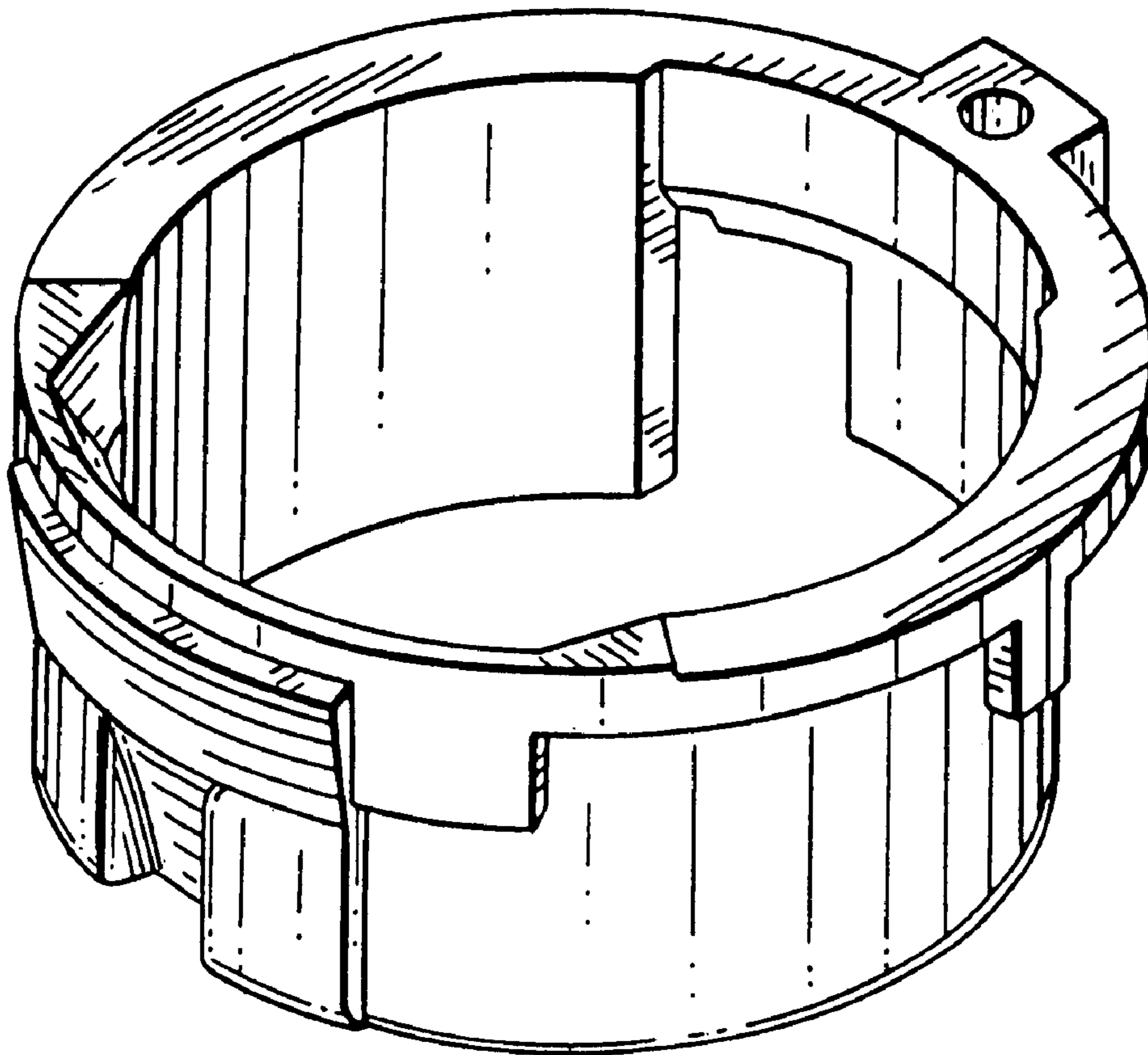
(57) **CLAIM**

The ornamental design of a needle disposal insert, as shown.

**DESCRIPTION**

FIG. 1 is a perspective view of the needle disposal insert;  
FIG. 2 is a top plan view thereof;  
FIG. 3 is a front side elevational view thereof;  
FIG. 4 is a left side elevational view thereof;  
FIG. 5 is a rear elevational view thereof; and,  
FIG. 6 is a bottom plan view thereof.

**1 Claim, 2 Drawing Sheets**



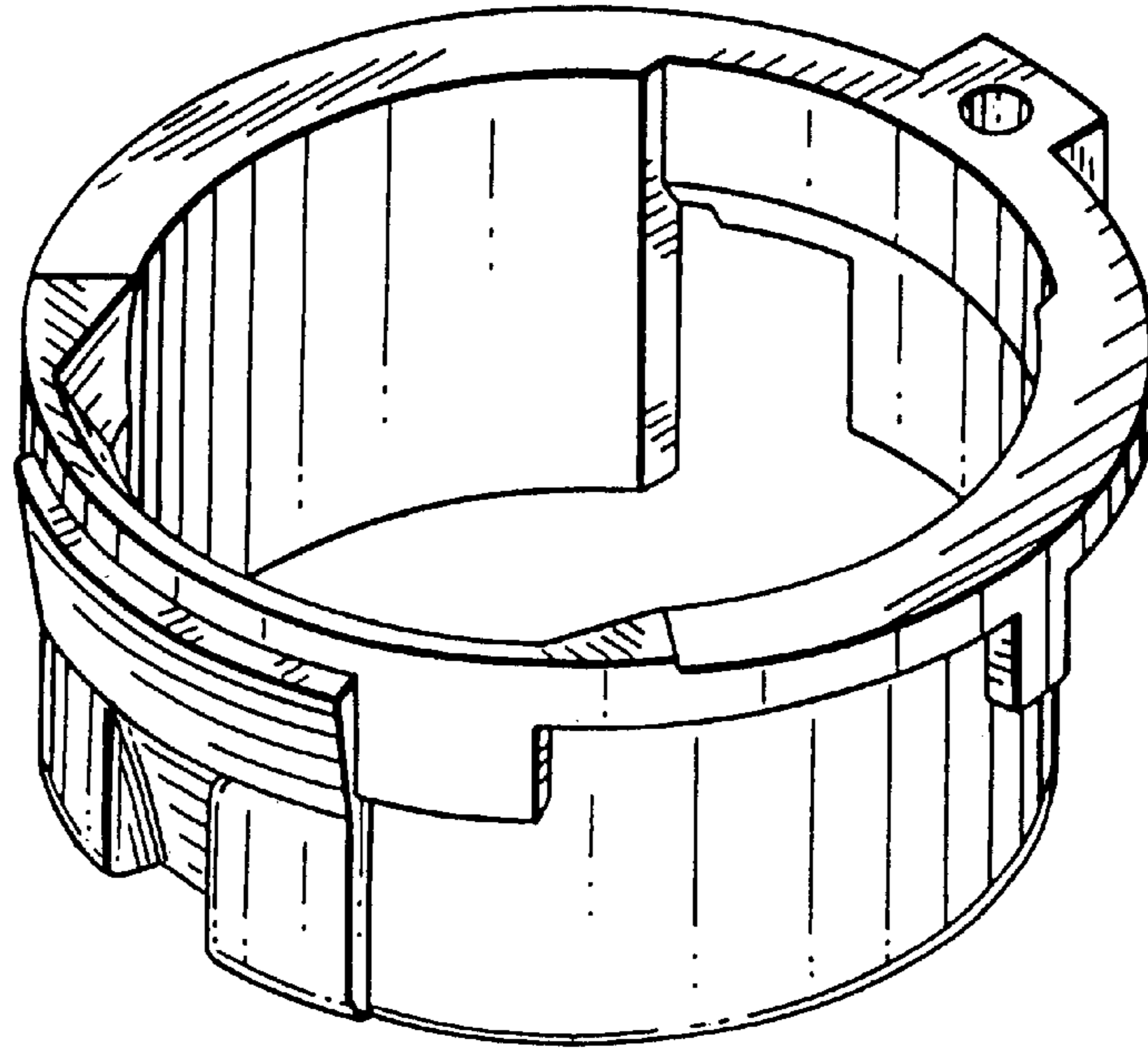
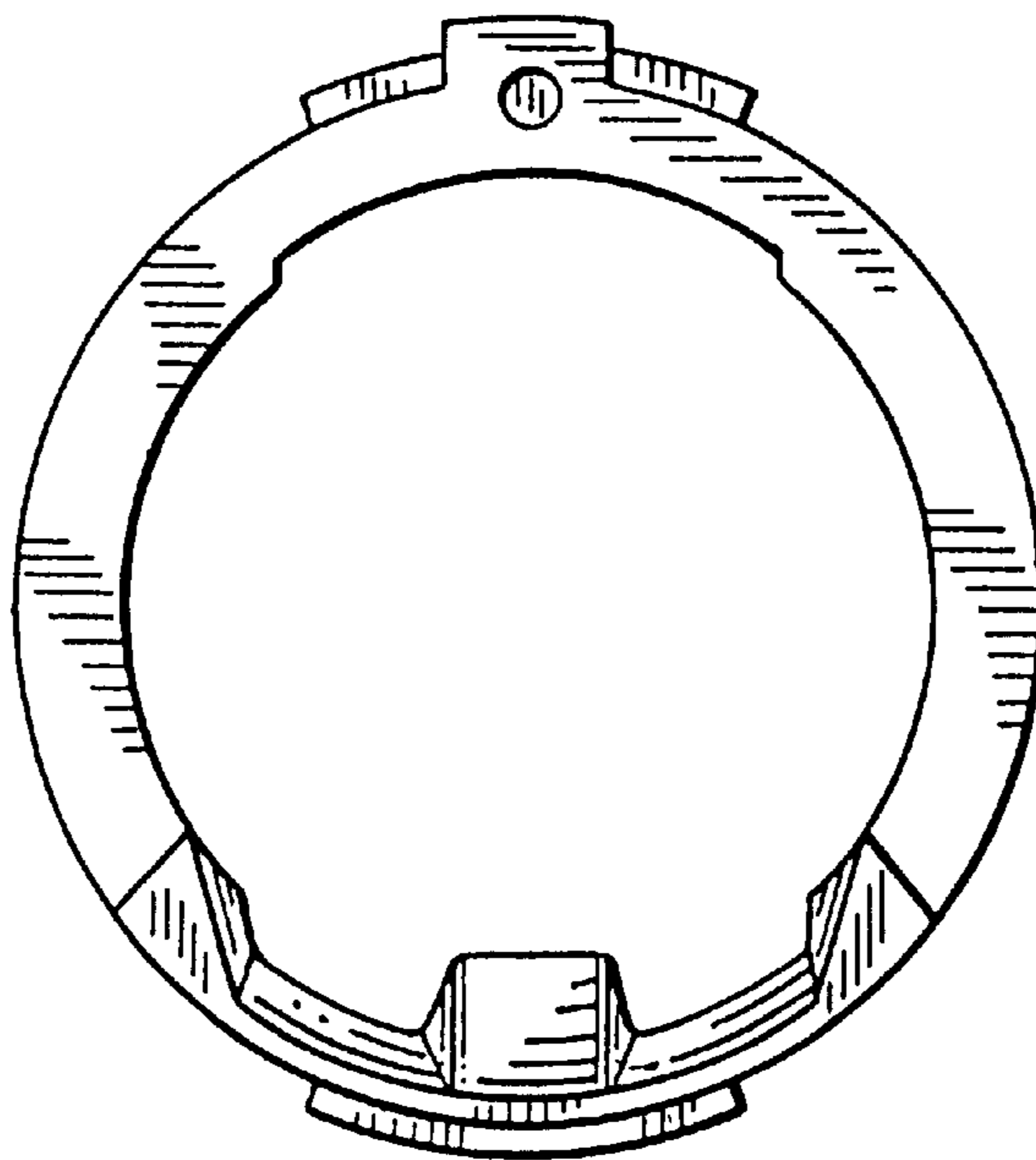


FIG. 1

FIG. 2



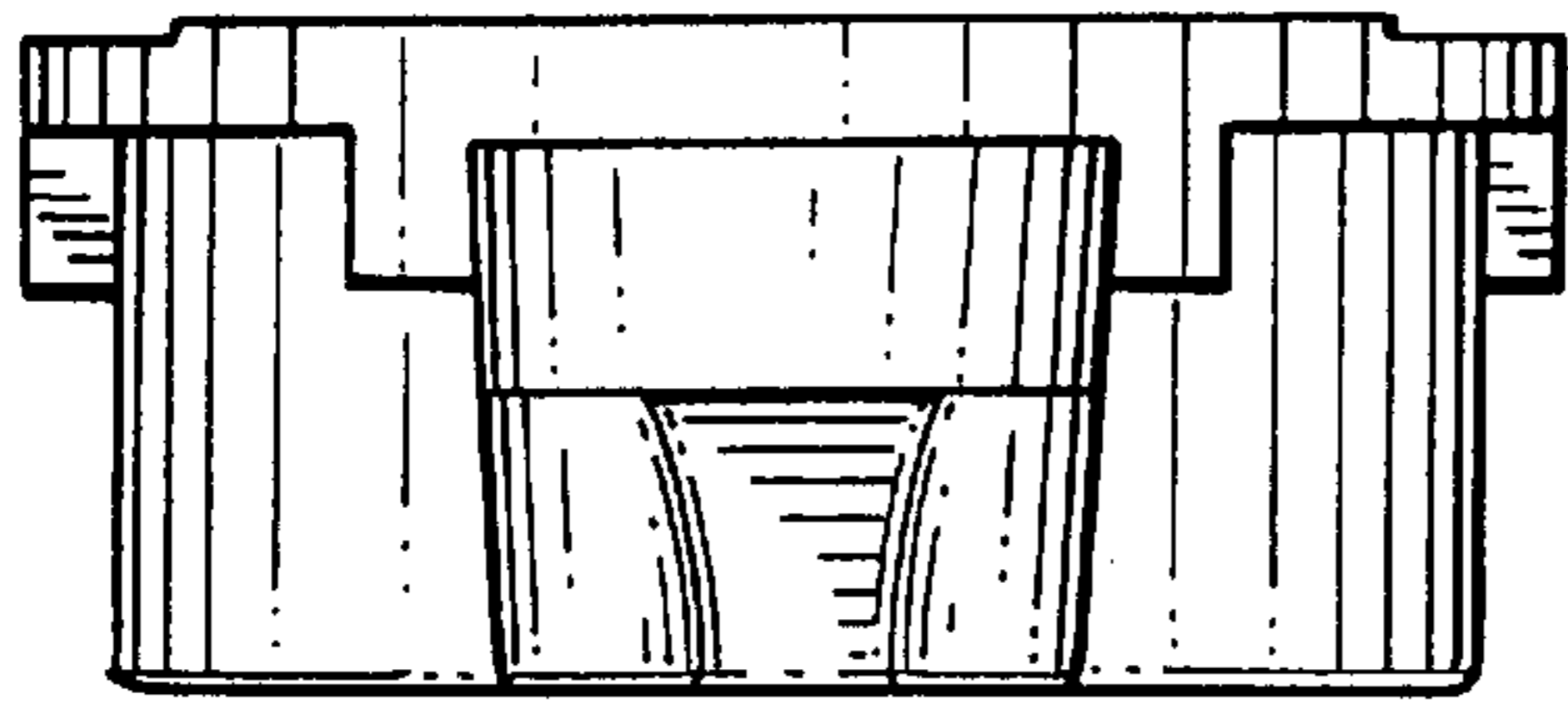


FIG. 3

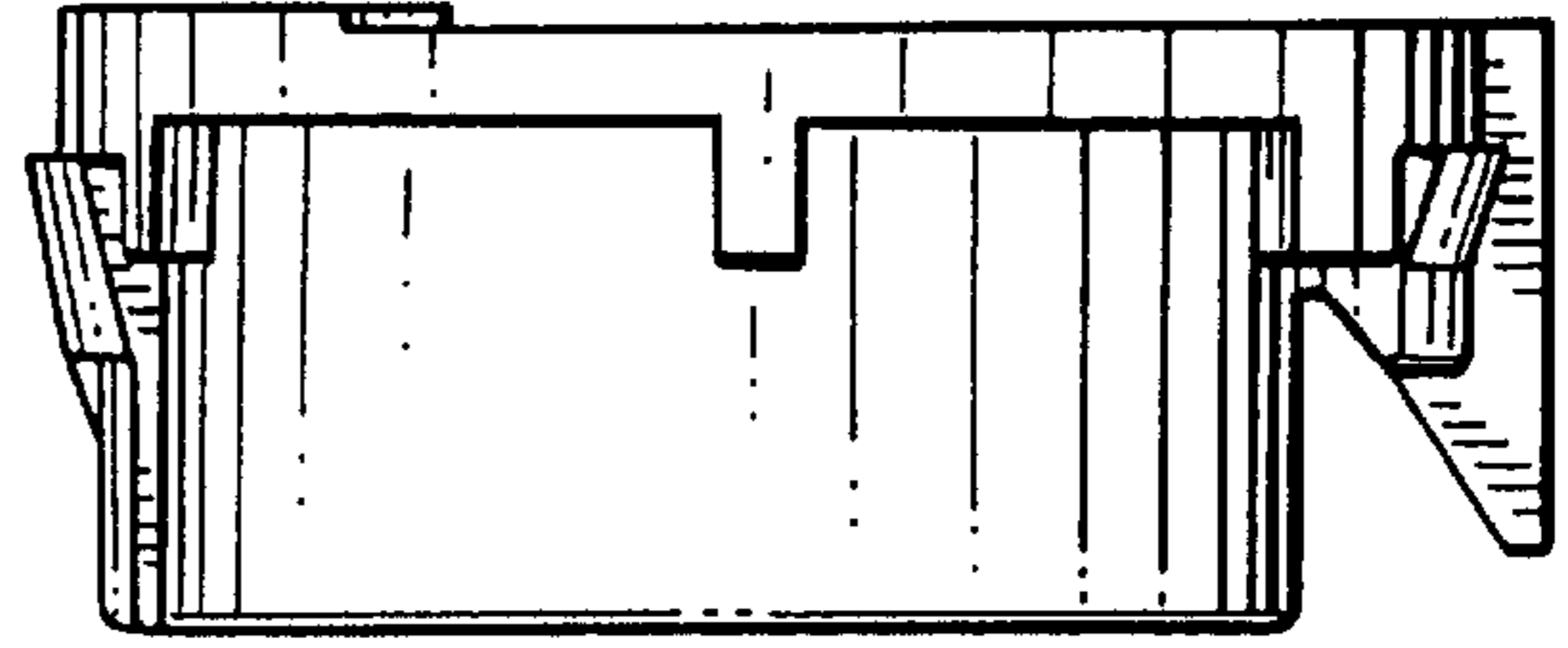


FIG. 4

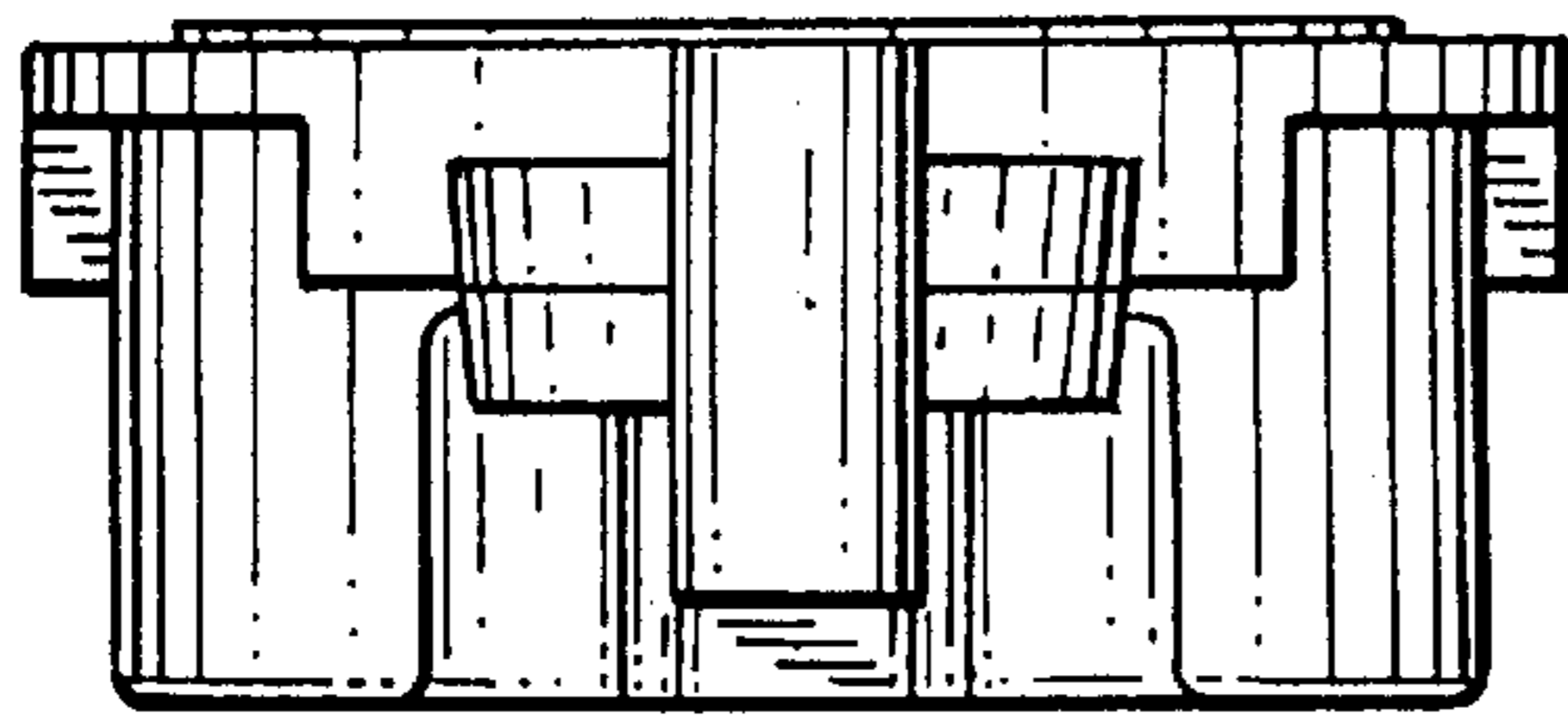


FIG. 5

FIG. 6

