



US00D474838S

(12) **United States Design Patent**  
**Mahurkar**

(10) **Patent No.:** **US D474,838 S**

(45) **Date of Patent:** **\*\* May 20, 2003**

(54) **SAFETY SYRINGE**

(76) Inventor: **Sakharam D. Mahurkar**, 6171 N.  
Sheridan Rd., Suite 112, Chicago, IL  
(US) 60660

(\*\*) Term: **14 Years**

(21) Appl. No.: **29/154,350**

(22) Filed: **Jan. 24, 2002**

(51) **LOC (7) Cl.** ..... **24-02**

(52) **U.S. Cl.** ..... **D24/112; D24/130**

(58) **Field of Search** ..... D24/112, 130,  
D24/114; 604/111, 263, 198, 220, 192,  
162, 110

(56) **References Cited**

**U.S. PATENT DOCUMENTS**

4,935,016	A	*	6/1990	Deleo	.....	604/198
D313,470	S	*	1/1991	Talonn et al.	.....	D24/114
5,514,100	A		5/1996	Mahurkar	.....	604/195
5,643,222	A		7/1997	Mahurkar	.....	604/195
5,685,862	A		11/1997	Mahurkar	.....	604/194
5,836,921	A		11/1998	Mahurkar	.....	604/195
5,891,105	A		4/1999	Mahurkar	.....	604/195
6,106,500	A		8/2000	Mahurkar	.....	604/195
6,117,112	A		9/2000	Mahurkar	.....	604/194
6,156,013	A		12/2000	Mahurkar	.....	604/195
6,206,856	B1		3/2001	Mahurkar	.....	604/195

6,419,658	B1	*	7/2002	Restelli et al.	.....	604/198
6,428,519	B1	*	8/2002	Arnisolle	.....	604/198

\* cited by examiner

*Primary Examiner*—Ian Simmons

(74) *Attorney, Agent, or Firm*—Jenkins & Gilchrist

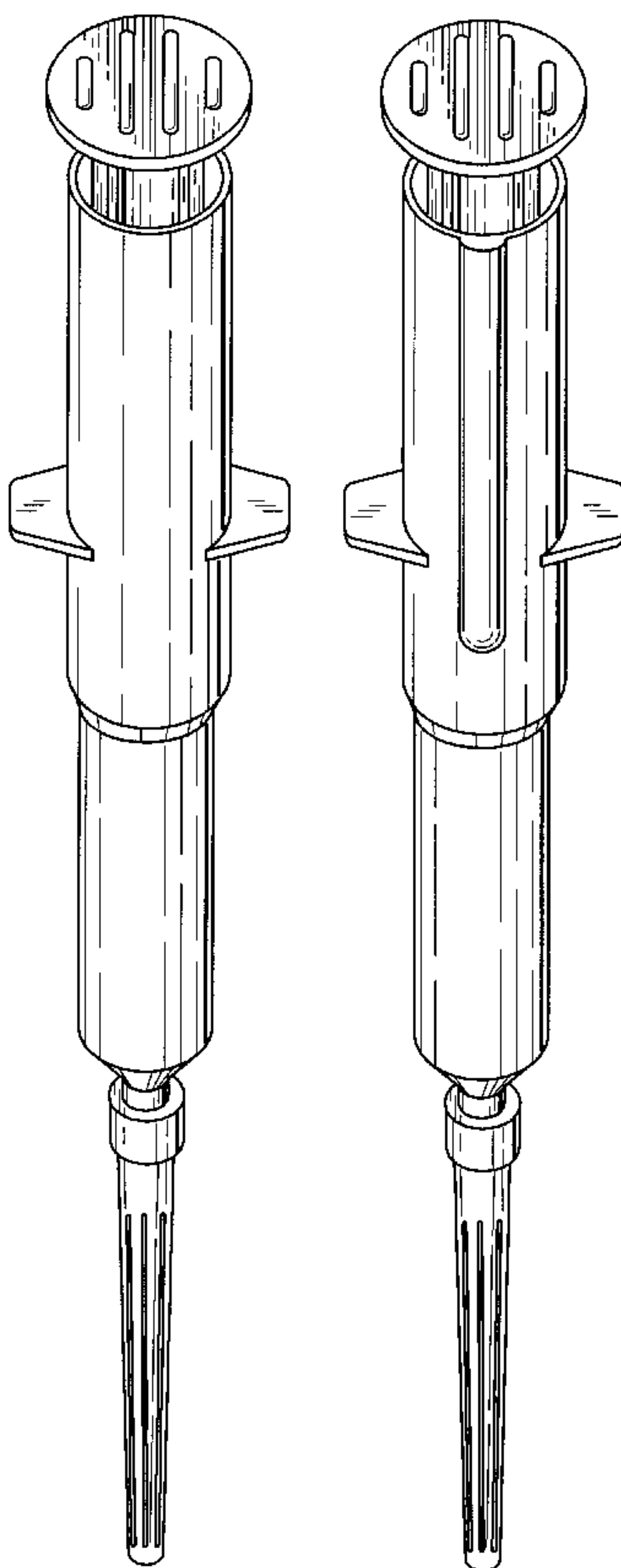
(57) **CLAIM**

The ornamental design for a safety syringe, as shown and described.

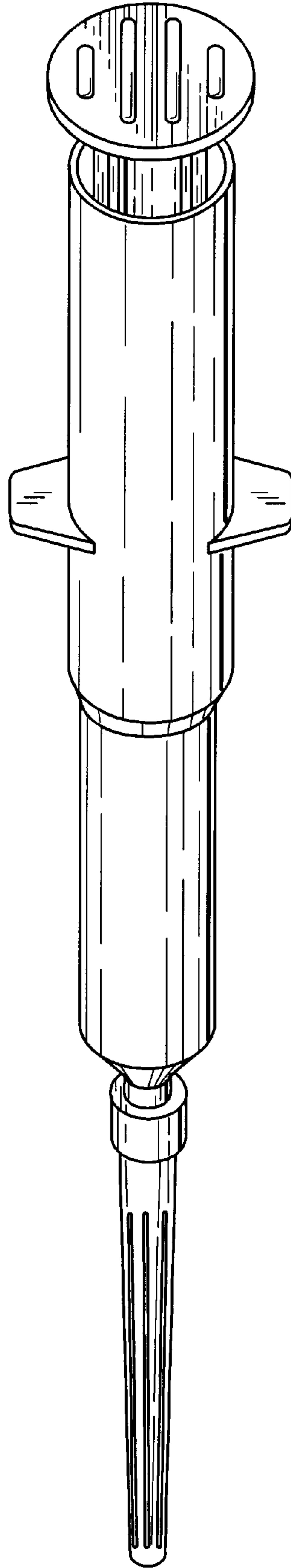
**DESCRIPTION**

FIG. 1 is an isometric view of a first embodiment of my new safety syringe;  
 FIG. 2 is a front elevation thereof;  
 FIG. 3 is a rear elevation thereof;  
 FIG. 4 is a left side elevation thereof;  
 FIG. 5 is a right side elevation thereof;  
 FIG. 6 is a top plan view thereof;  
 FIG. 7 is a bottom plan view thereof;  
 FIG. 8 is an isometric view of a second embodiment of my new safety syringe;  
 FIG. 9 is a front elevation thereof;  
 FIG. 10 is a rear elevation thereof;  
 FIG. 11 is a left side elevation thereof;  
 FIG. 12 is a right side elevation thereof;  
 FIG. 13 is a top plan view thereof; and,  
 FIG. 14 is a bottom plan view thereof.

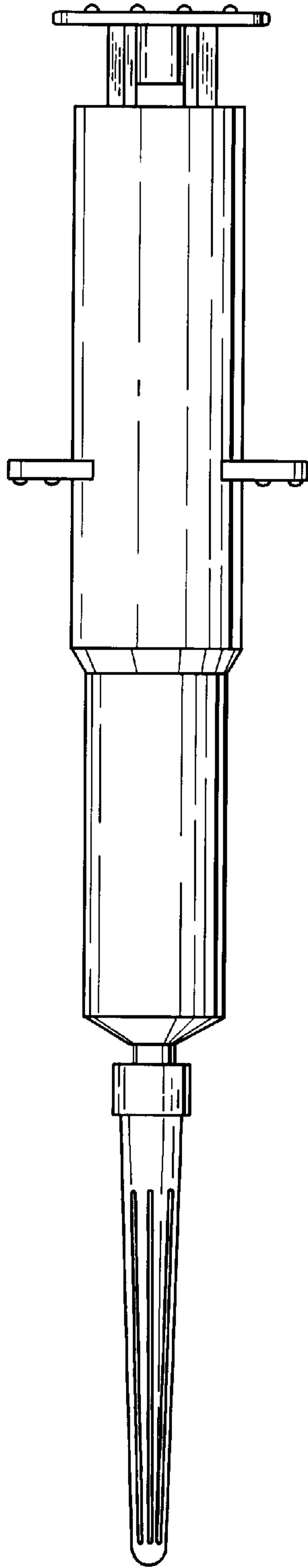
**1 Claim, 8 Drawing Sheets**



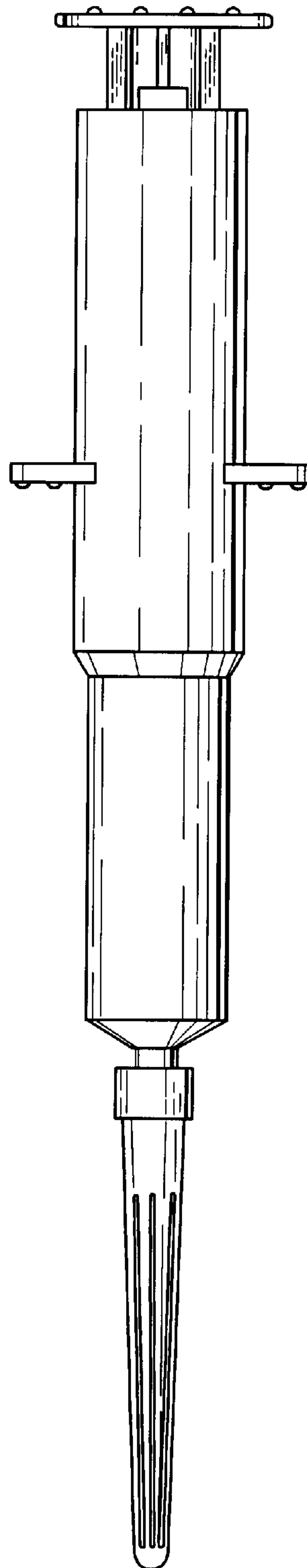
*Fig. 1*



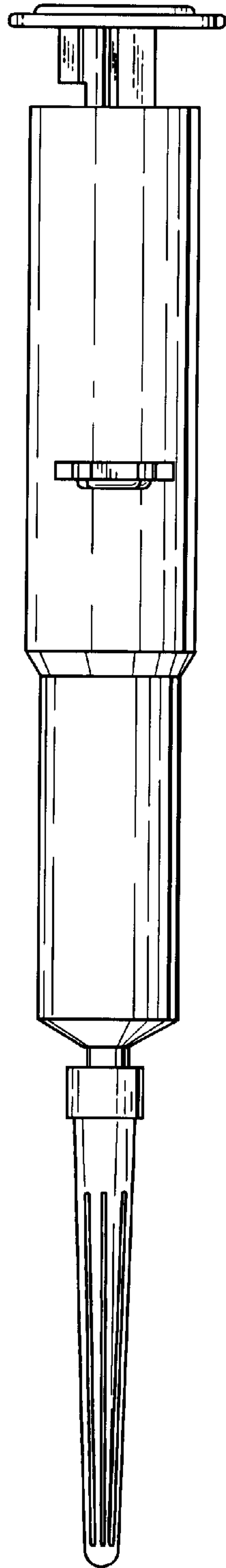
*Fig. 2*



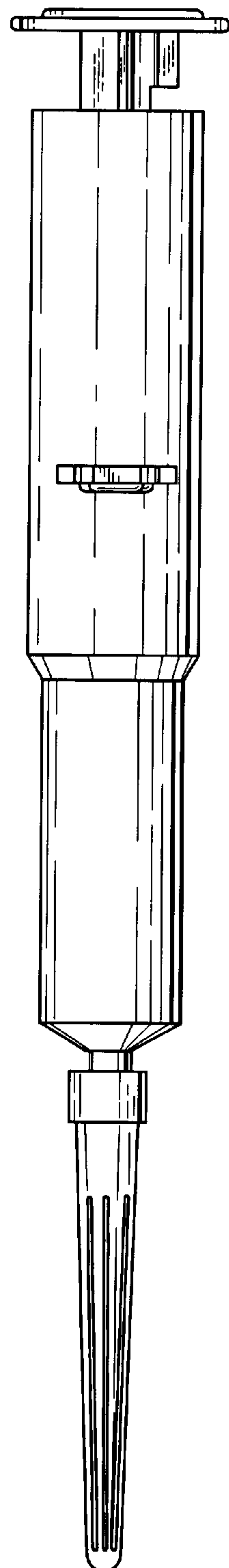
*Fig. 3*



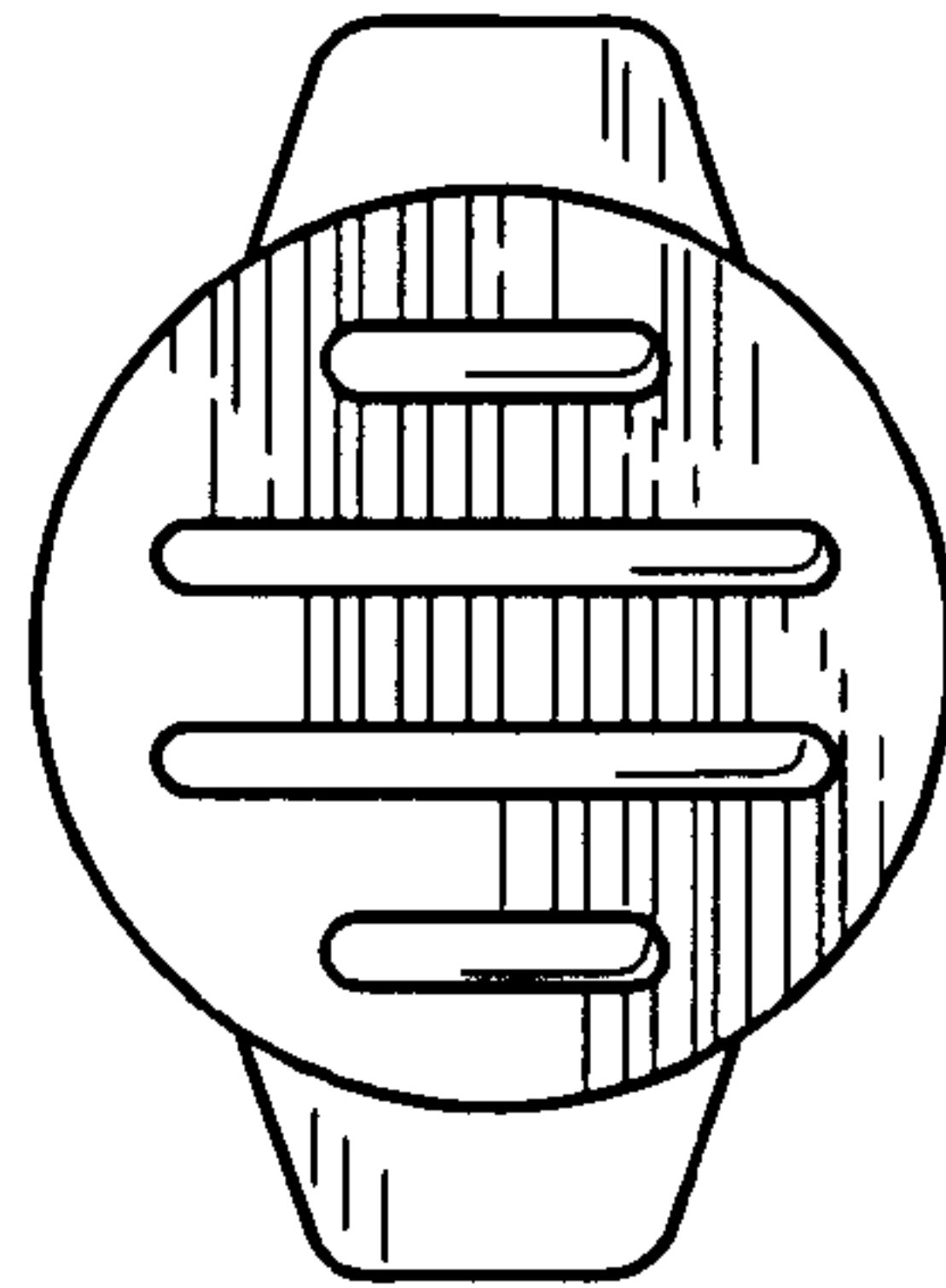
*Fig. 4*



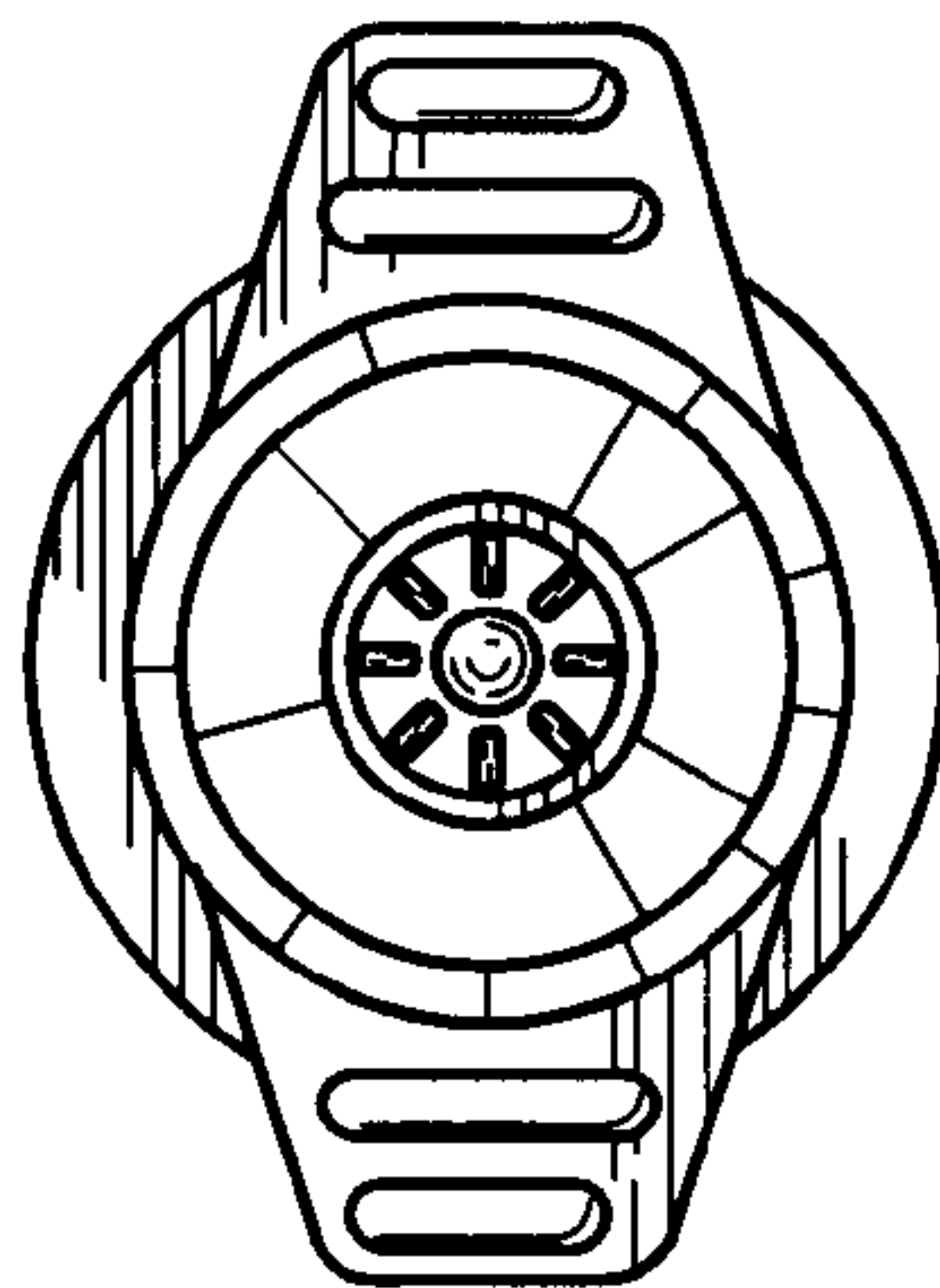
*Fig. 5*



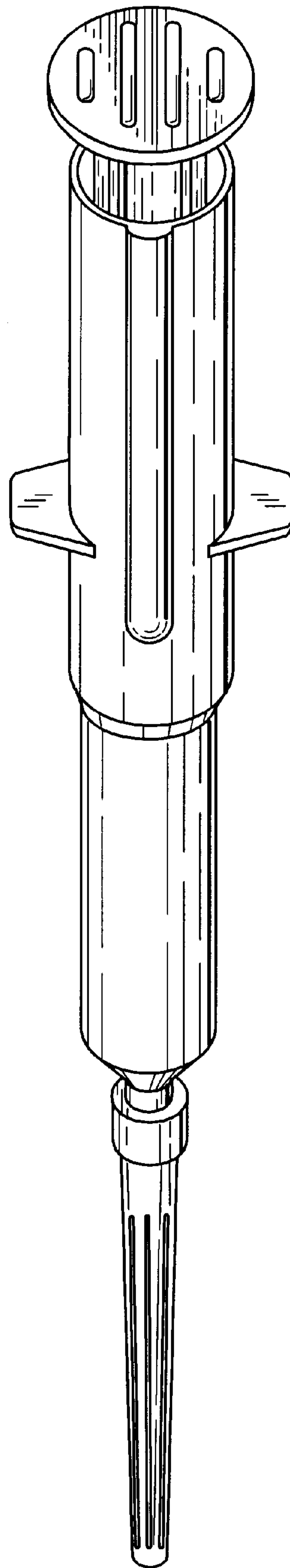
*Fig. 6*



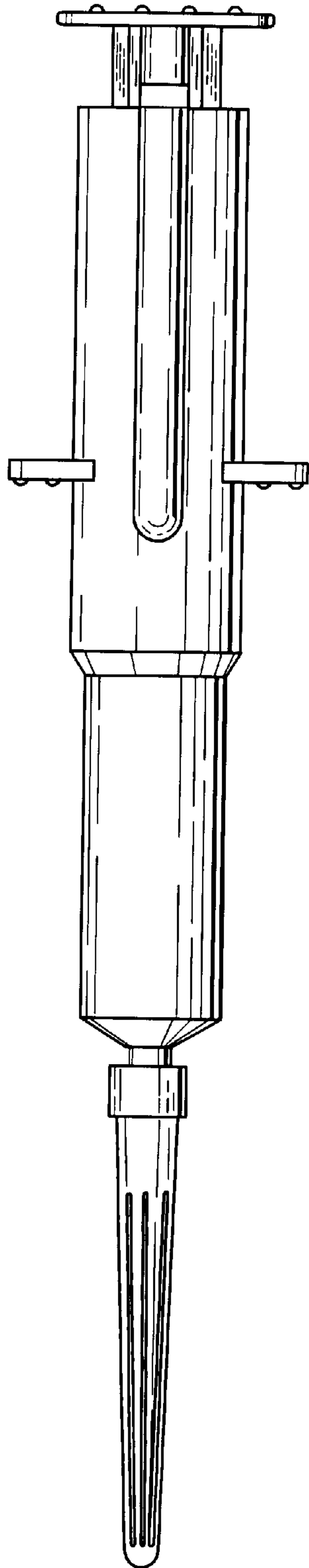
*Fig. 7*



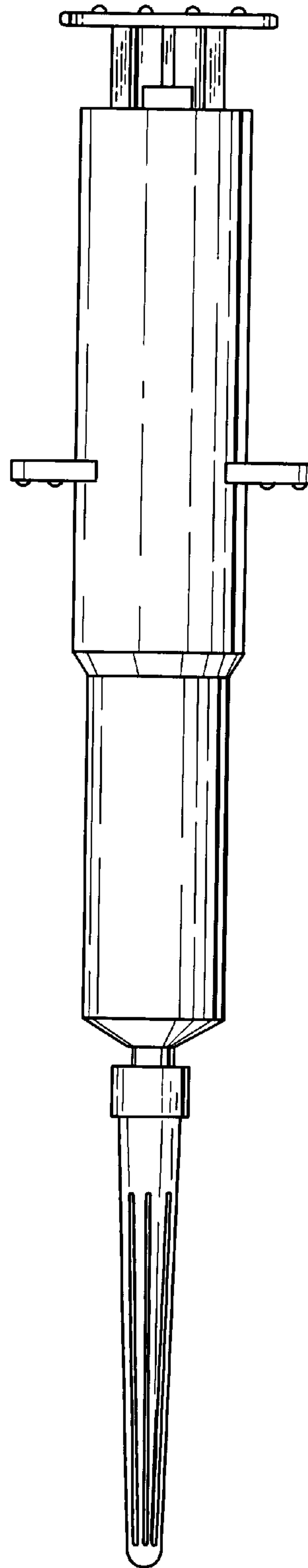
*Fig. 8*



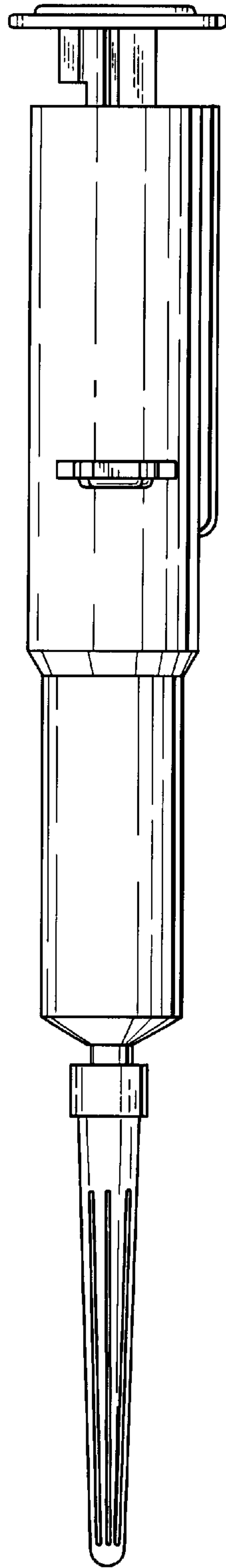
*Fig. 9*



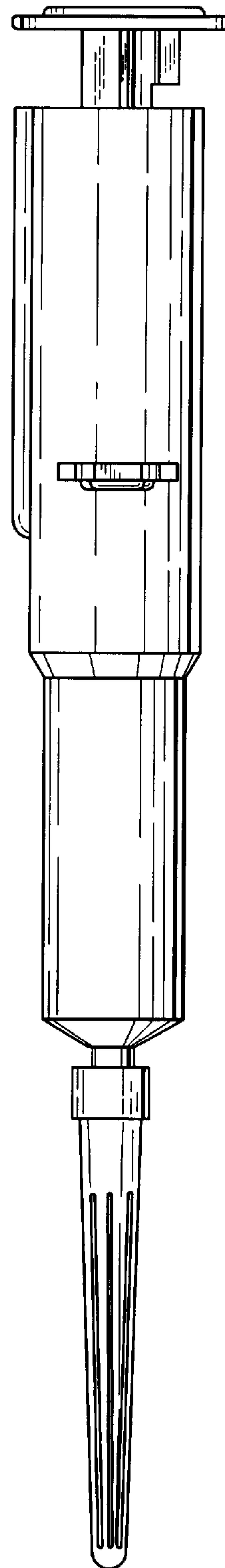
*Fig. 10*



*Fig. 11*

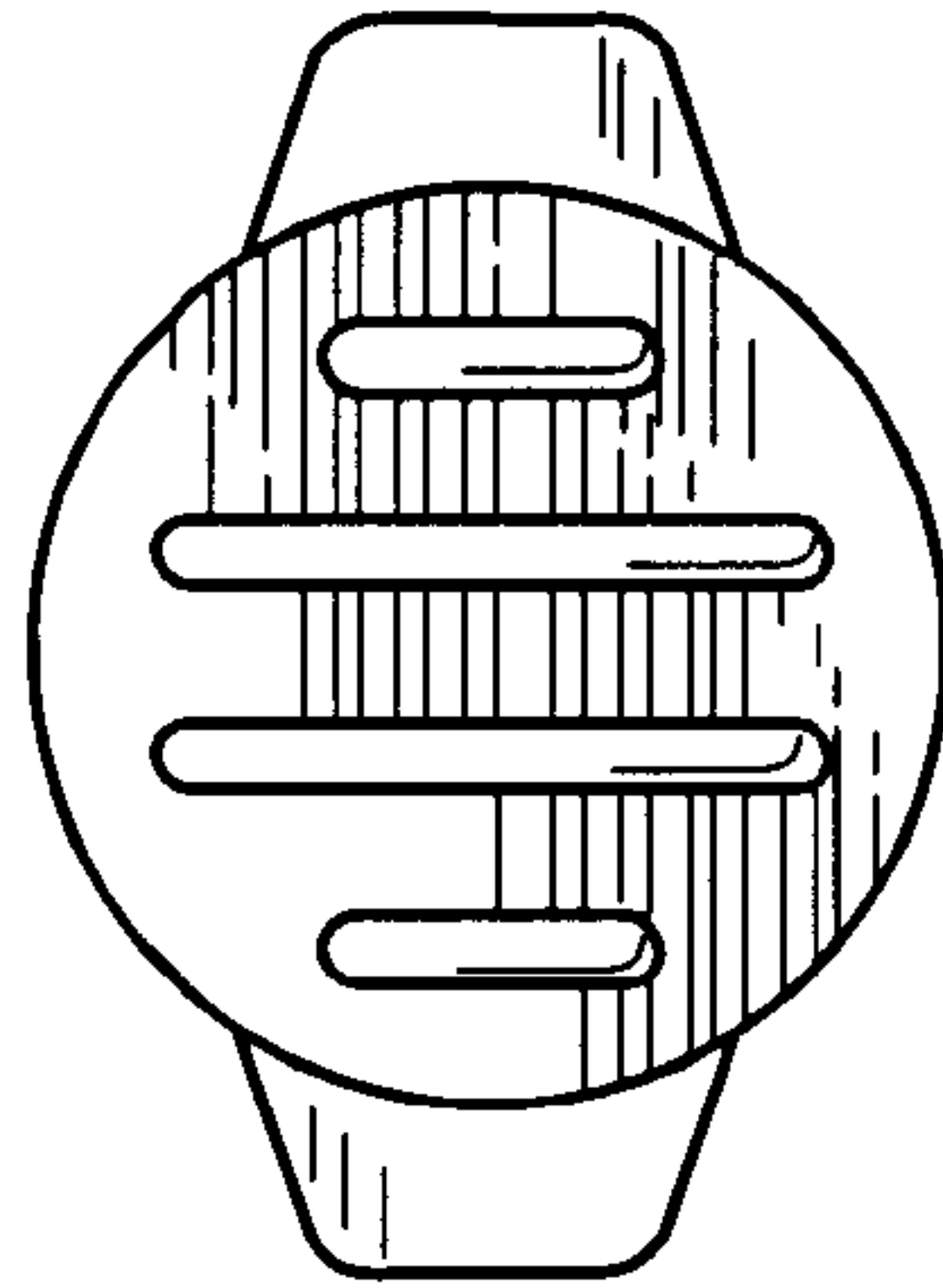


*Fig. 12*





*Fig. 13*



*Fig. 14*

