



US00D474837S

(12) **United States Design Patent**
Gillespie, Jr. et al.

(10) **Patent No.:** **US D474,837 S**

(45) **Date of Patent:** **** May 20, 2003**

(54) **DISPLAY SCREEN OF AN INFUSION PUMP**

(75) Inventors: **John Gillespie, Jr.**, Libertyville, IL (US); **Michael Kenneth Platt**, Mt. Prospect, IL (US); **Jason Martin**, Portland, OR (US)

(73) Assignee: **Baxter International Inc.**, Deerfield, IL (US)

(**) Term: **14 Years**

(21) Appl. No.: **29/162,406**

(22) Filed: **Jun. 14, 2002**

(51) **LOC (7) Cl.** **24-02**

(52) **U.S. Cl.** **D24/111; D14/371**

(58) **Field of Search** D24/111, 108, D24/160, 169, 186; D14/374, 371; 604/66, 67, 151, 153, 65, 138, 30, 35, 152; 128/DIG. 13, DIG. 12

(56) **References Cited**

U.S. PATENT DOCUMENTS

D380,260 S 6/1997 Hyman D24/111
D380,550 S * 7/1997 Dennewill et al. D24/185

D381,749 S * 7/1997 Lawrence et al. D24/169
D390,654 S 2/1998 Alsberg et al. D24/111
5,782,805 A 7/1998 Meinzer et al. 604/131
D444,235 S * 6/2001 Roberts et al. D24/169
D460,559 S * 7/2002 Knieriem et al. D24/186
D469,176 S * 1/2003 Hall et al. D24/111

* cited by examiner

Primary Examiner—Ian Simmons

(74) *Attorney, Agent, or Firm*—Paul J. Nykaza; Wallenstein & Wagner

(57) **CLAIM**

The ornamental design for a display screen of an infusion pump, as shown and described.

DESCRIPTION

FIG. 1 is a front perspective view of a display screen for an infusion pump showing my new design. FIG. 2 is a front elevation view thereof. FIG. 3 is a side elevation view thereof; and, FIG. 4 is a top plan view thereof. The undisclosed bottom portion is plain and unornamented. The broken-line disclosure is for illustrative purposes only and forms no part of the claimed design.

1 Claim, 2 Drawing Sheets

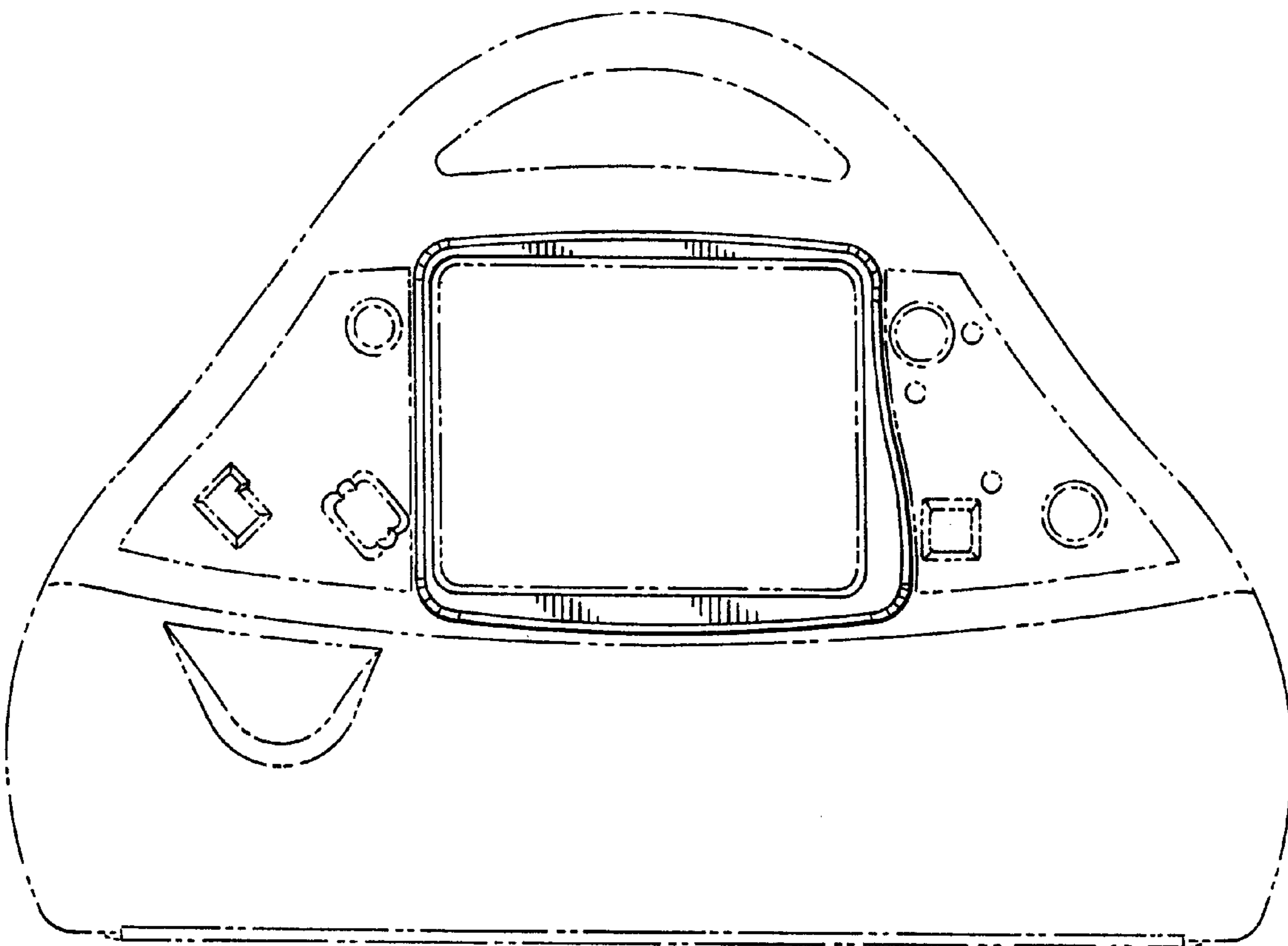


FIG. 1

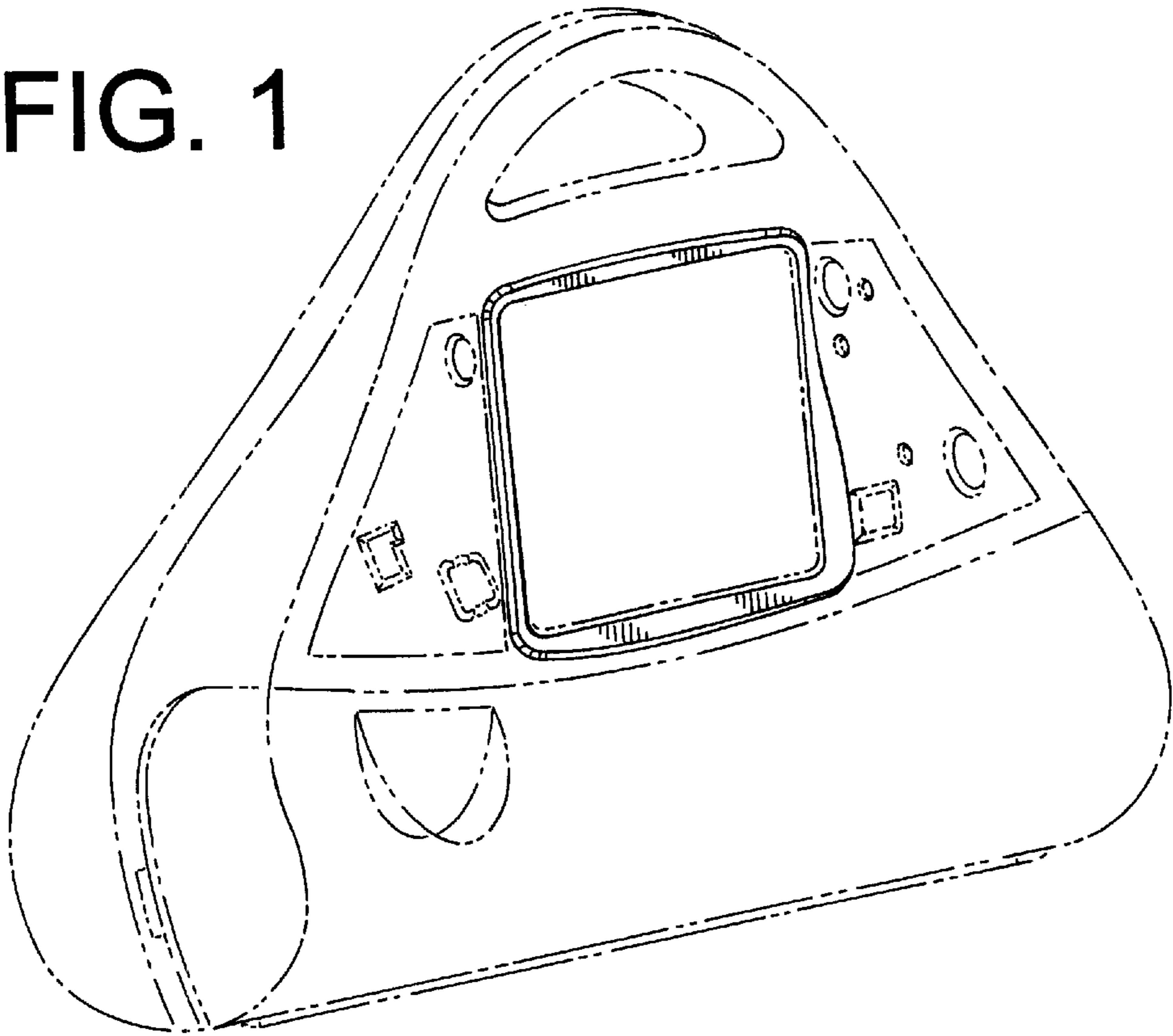


FIG. 2

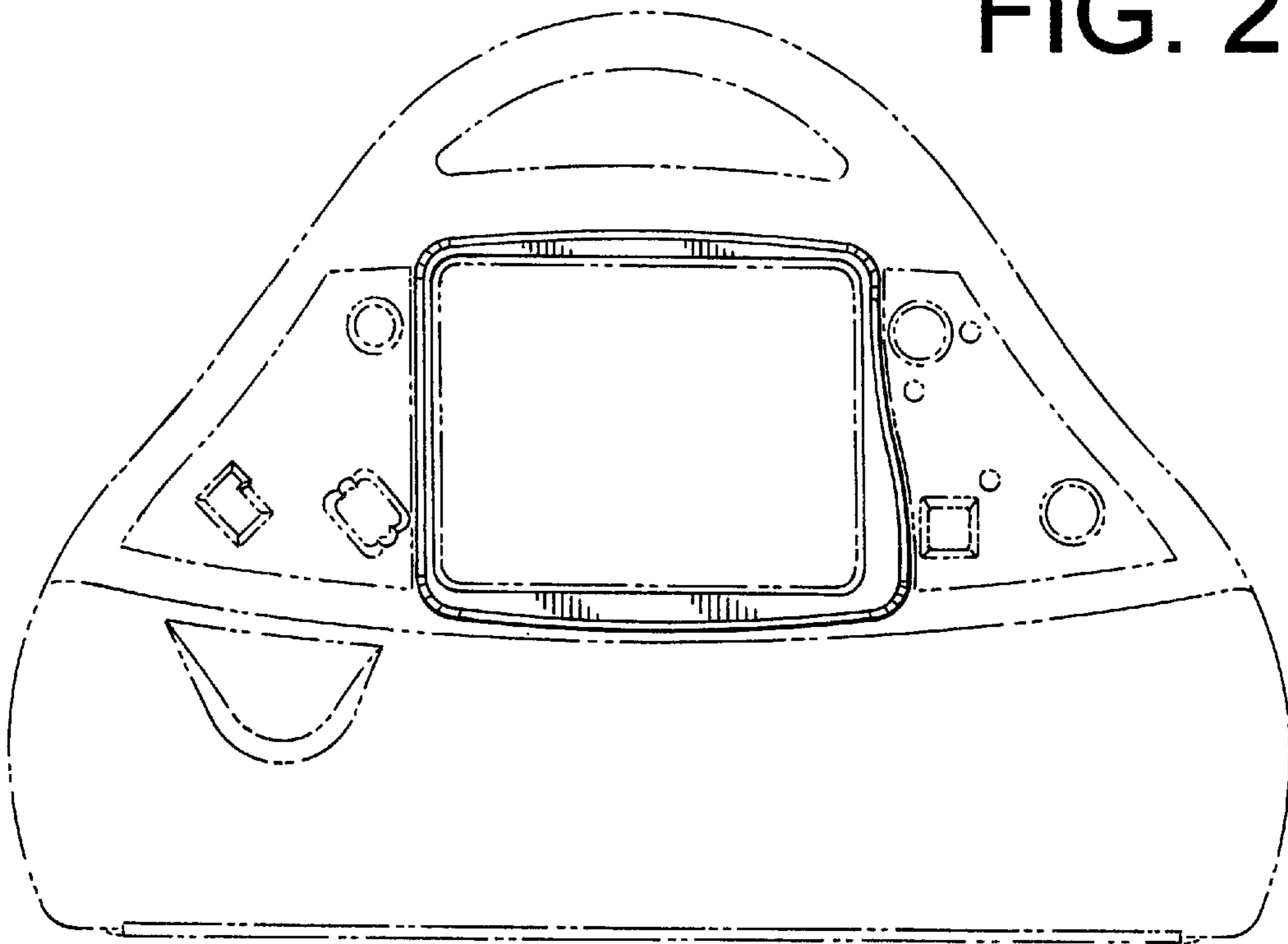


FIG. 3

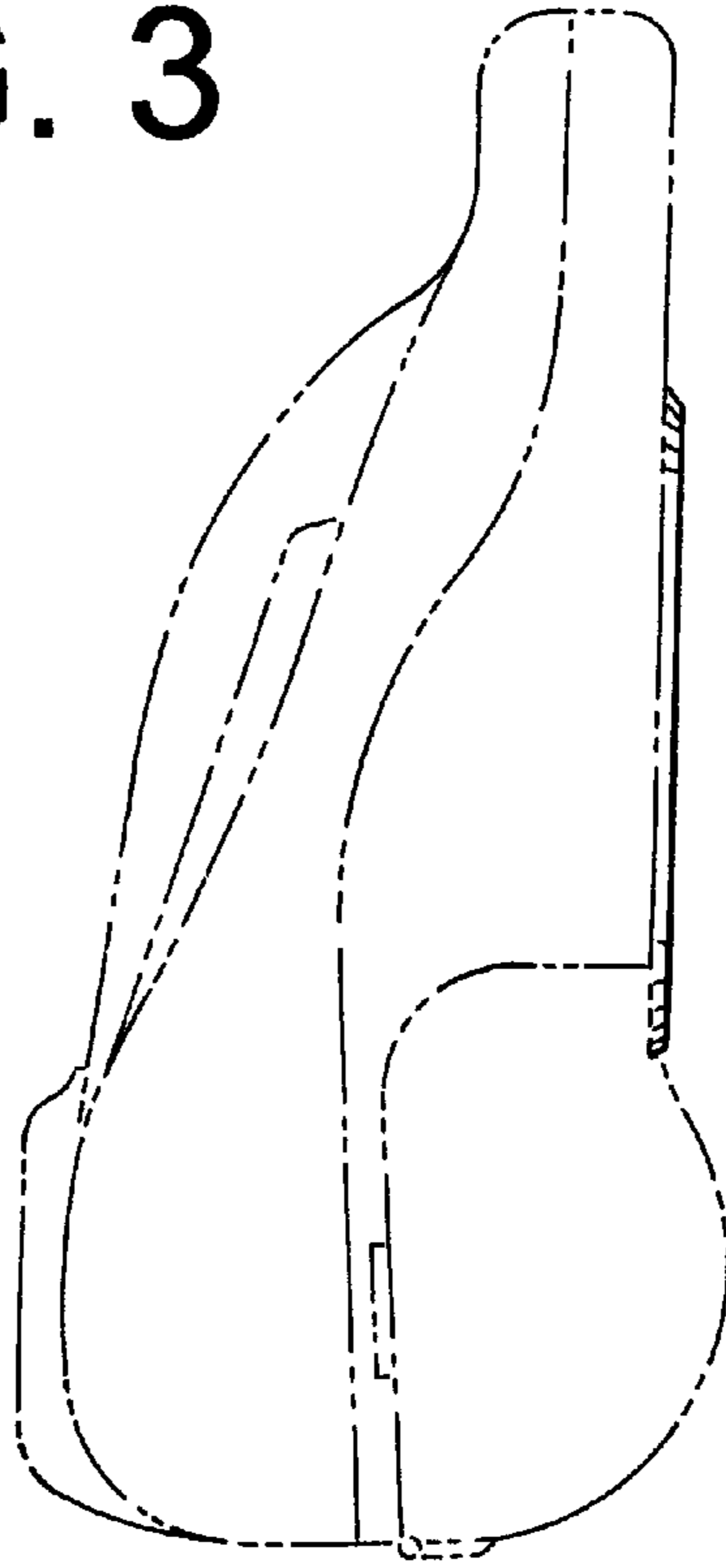


FIG. 4

