



US00D474836S

(12) **United States Design Patent**  
**Chang**

(10) **Patent No.:** **US D474,836 S**

(45) **Date of Patent:** **\*\* May 20, 2003**

(54) **AIR FILTER**

D401,684 S \* 11/1998 Shelton et al. .... D23/365  
D450,826 S \* 11/2001 Song ..... D23/365

(76) Inventor: **Yung-Yu Chang**, No. 75, Lane 223,  
Chung-Cheng Rd., Shan-Hua Chen,  
Tainan Hsien (TW)

\* cited by examiner

(\*\*) Term: **14 Years**

*Primary Examiner*—Robin V. Taylor  
(74) *Attorney, Agent, or Firm*—Rabin & Berdo, P.C.

(21) Appl. No.: **29/164,636**

(57) **CLAIM**

(22) Filed: **Jul. 30, 2002**

The ornamental design for an air filter, as shown.

(51) **LOC (7) Cl.** ..... **23-04**

**DESCRIPTION**

(52) **U.S. Cl.** ..... **D23/365**

FIG. 1 is a perspective view of an air filter, showing my new design;

(58) **Field of Search** ..... D23/209, 364,  
D23/365, 355; 210/493.4; 55/521, 497-8

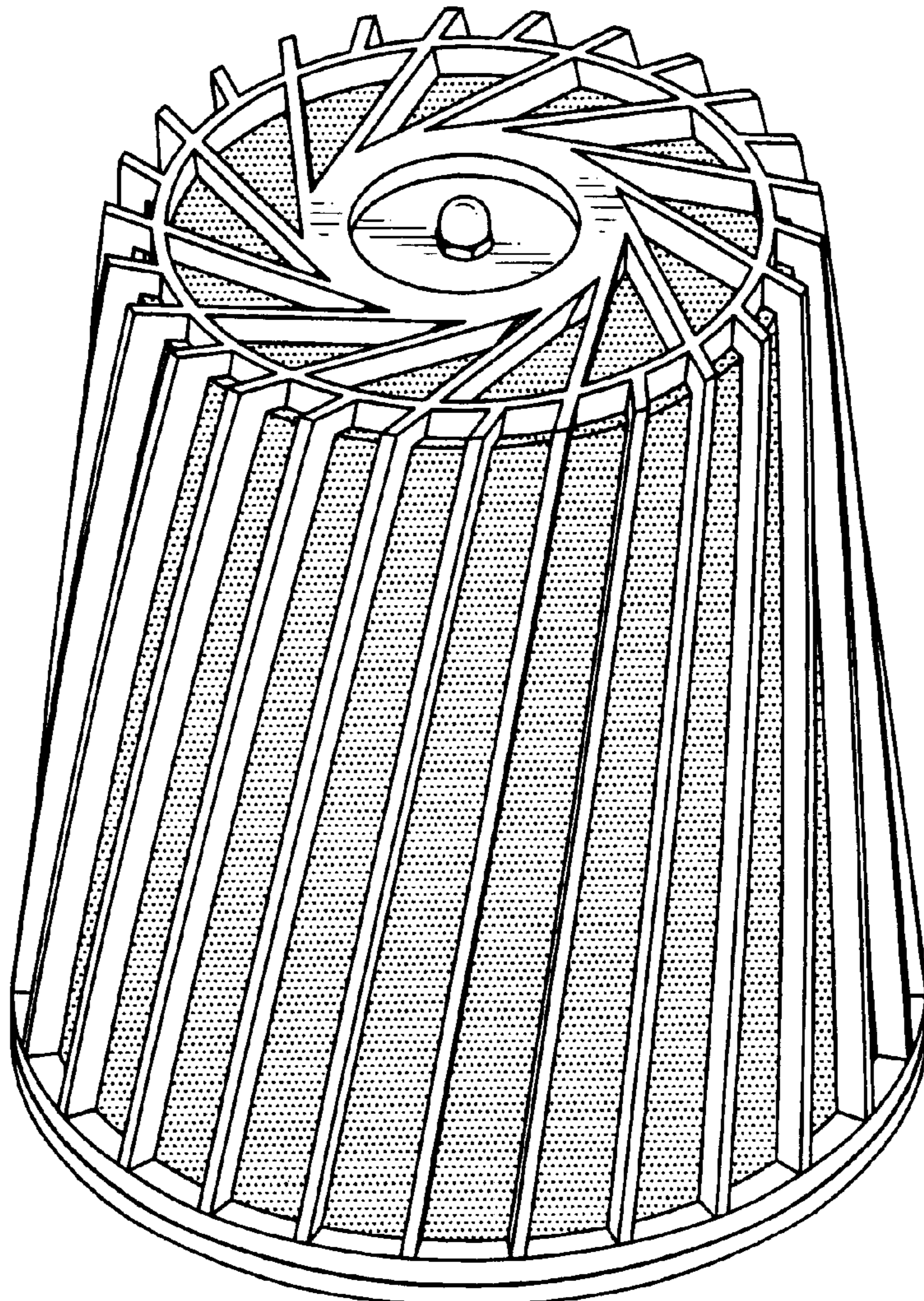
FIG. 2 is a front elevational view thereof;  
FIG. 3 is a rear elevational view thereof;  
FIG. 4 is a left elevational view thereof;  
FIG. 5 is a right elevational view thereof;  
FIG. 6 is a top plan view thereof; and,  
FIG. 7 is a bottom plan view thereof.

(56) **References Cited**

**U.S. PATENT DOCUMENTS**

5,049,170 A	*	9/1991	Parnoff	.....	55/498
5,137,554 A	*	8/1992	Carter	.....	55/459.1
D342,990 S	*	1/1994	Jaroszczyk	.....	D23/365
5,685,887 A	*	11/1997	Mochida	.....	55/521

**1 Claim, 4 Drawing Sheets**



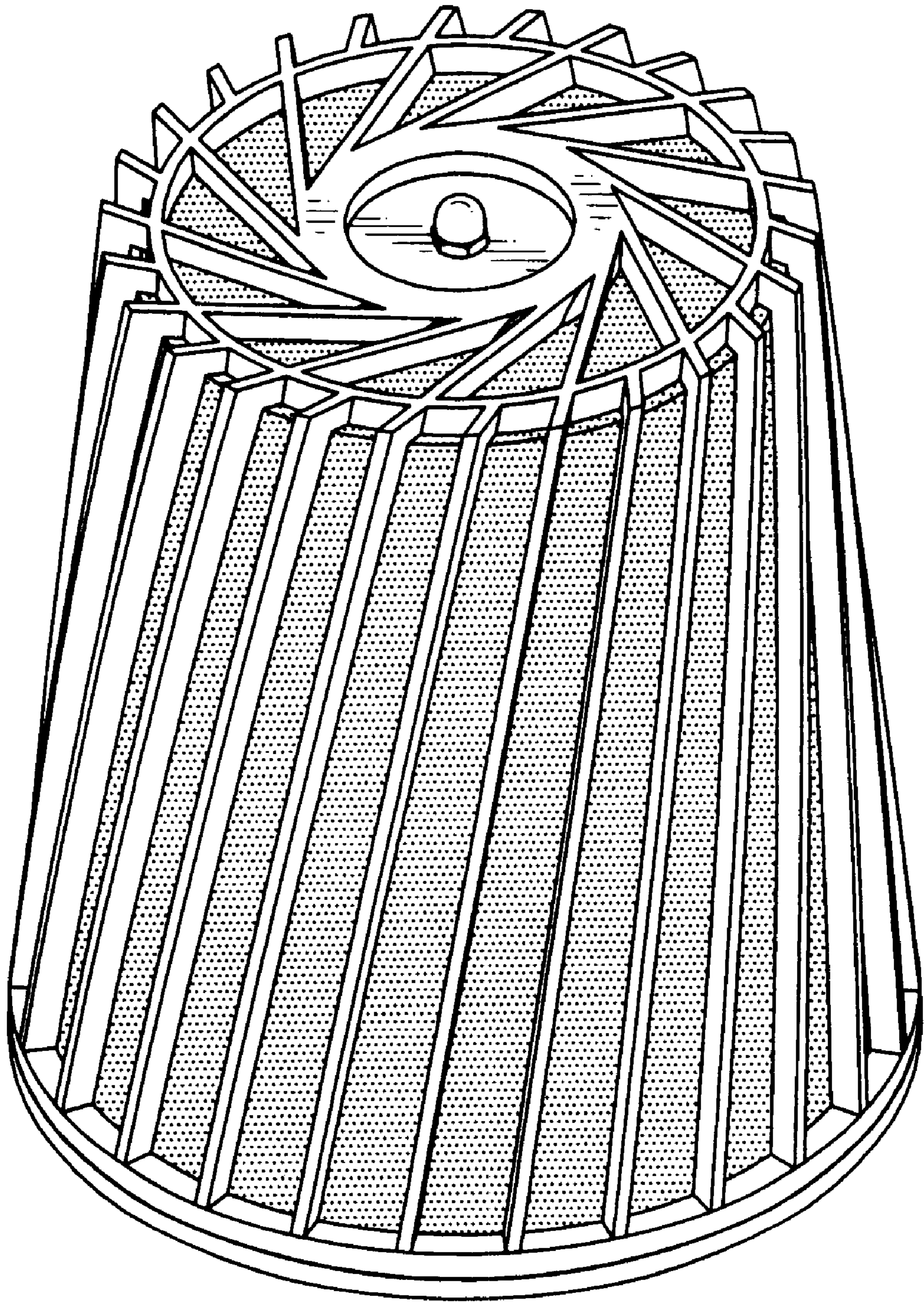


FIG. 1

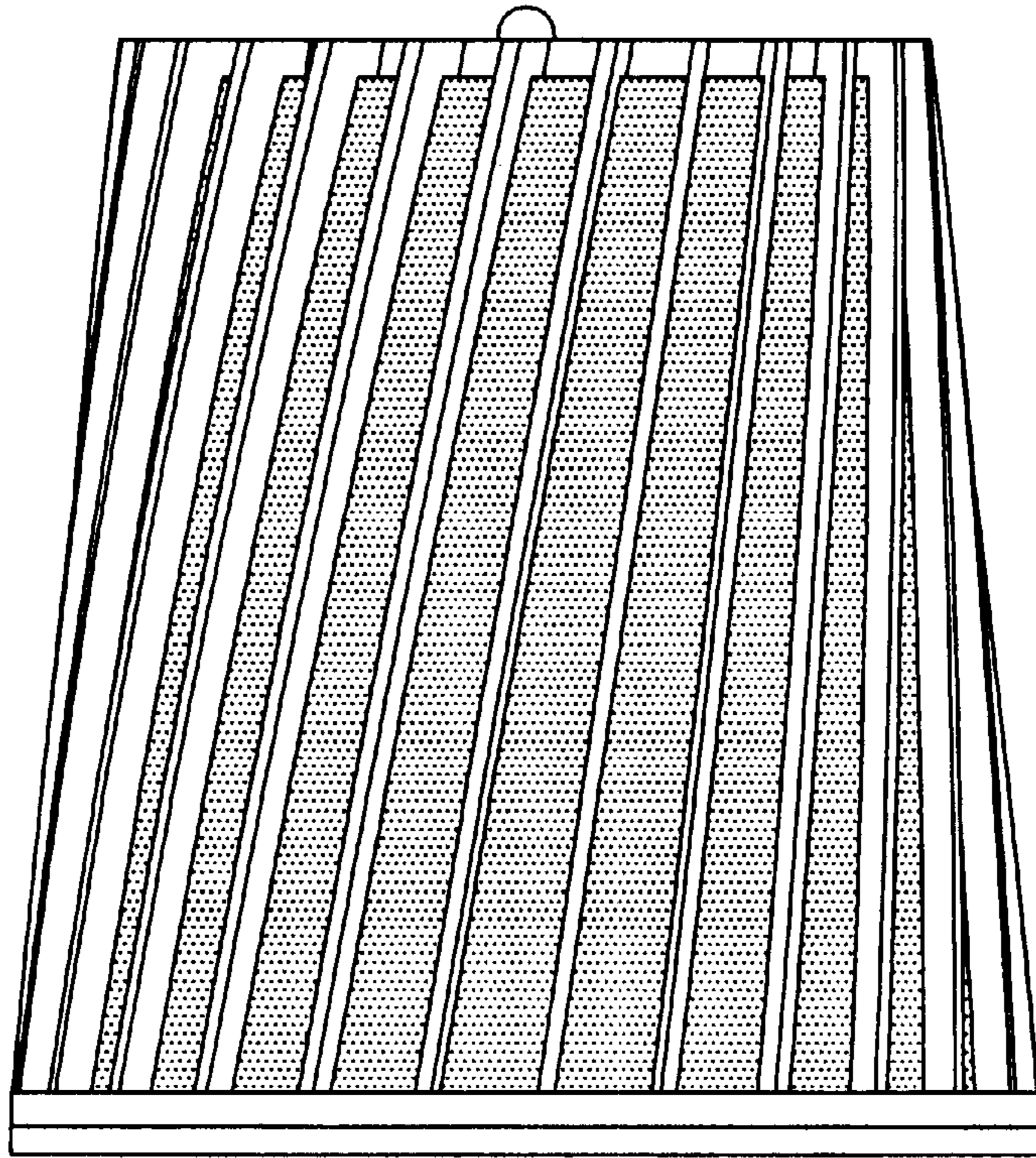


FIG. 2

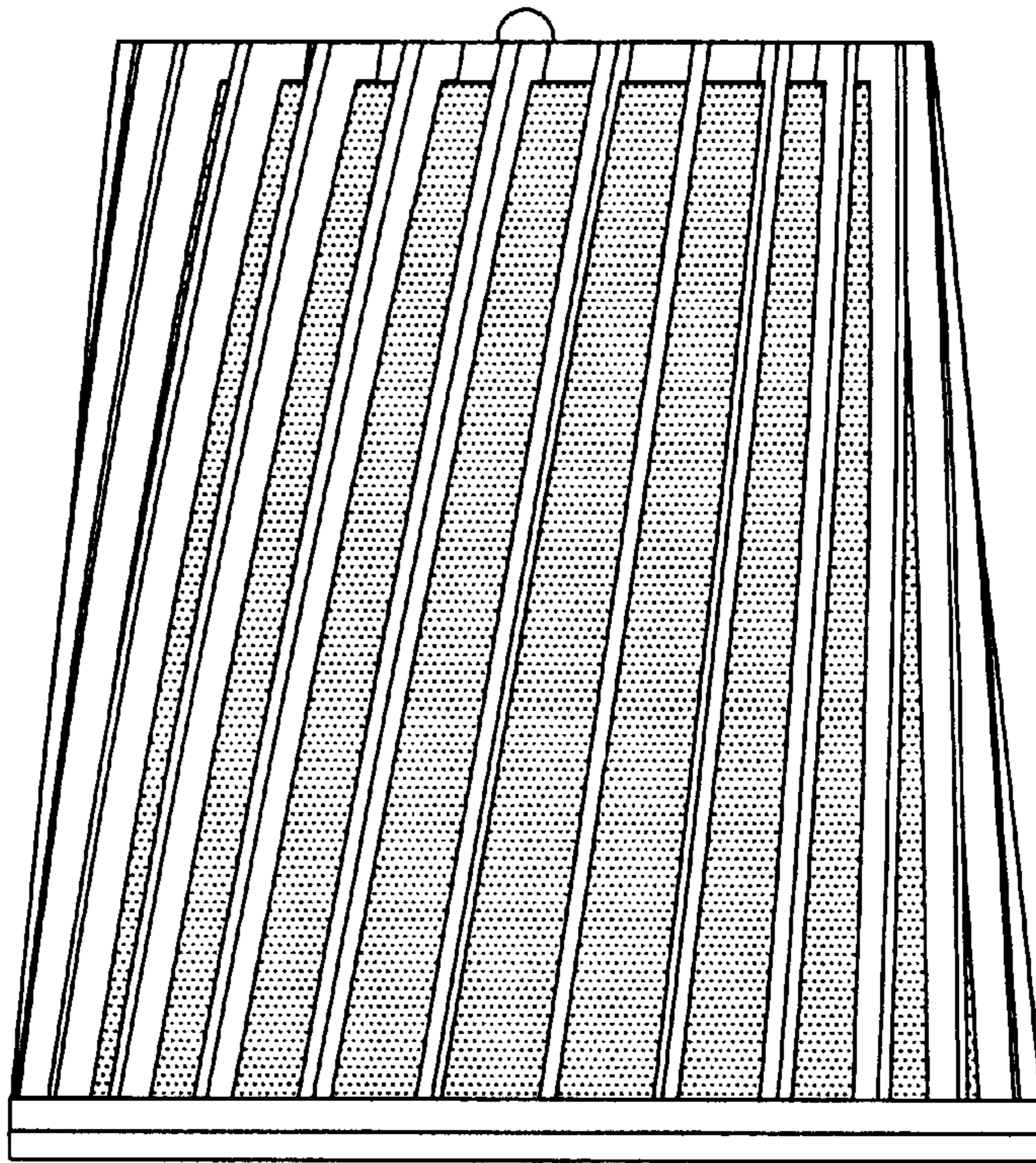


FIG. 3

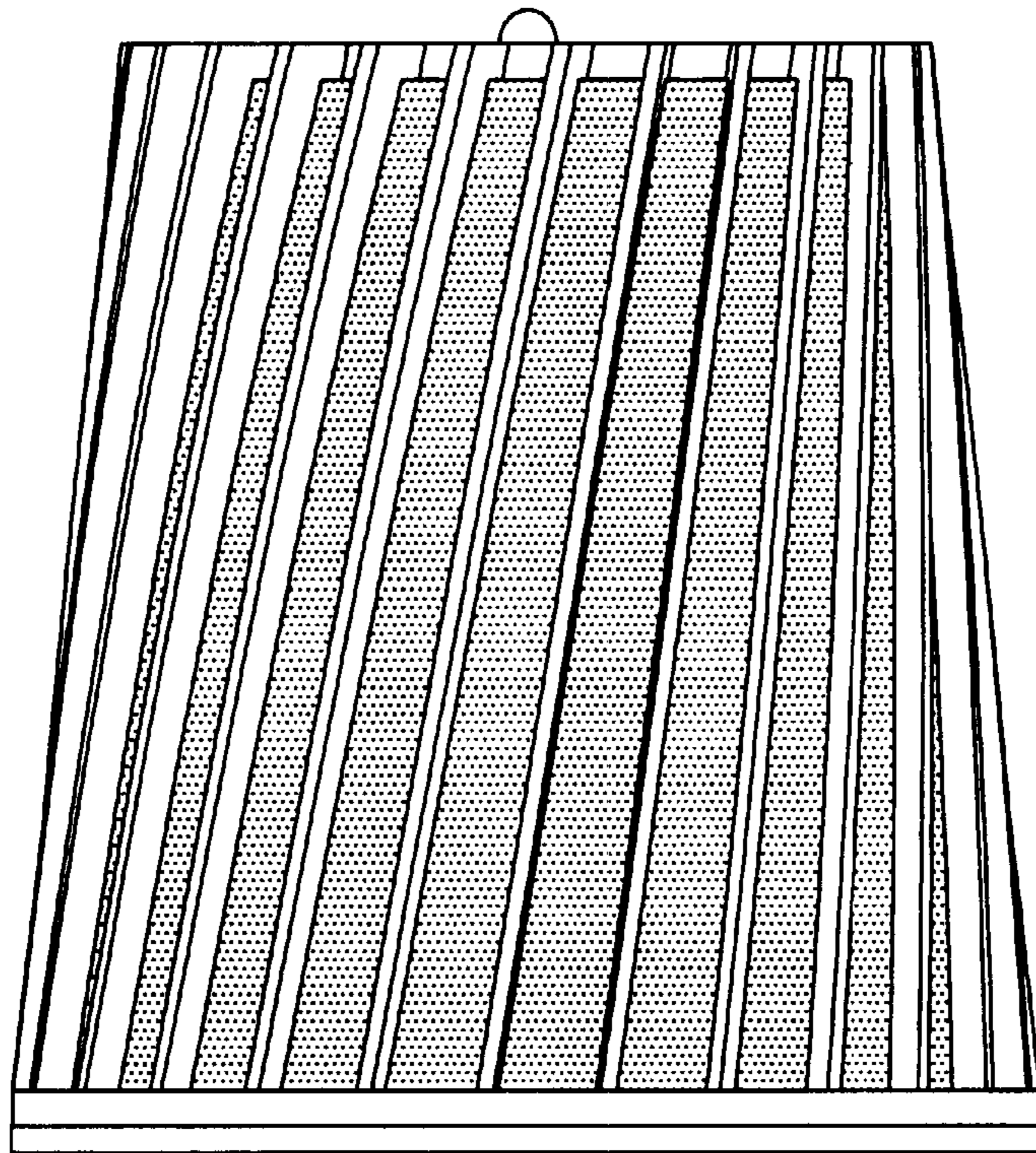


FIG. 4

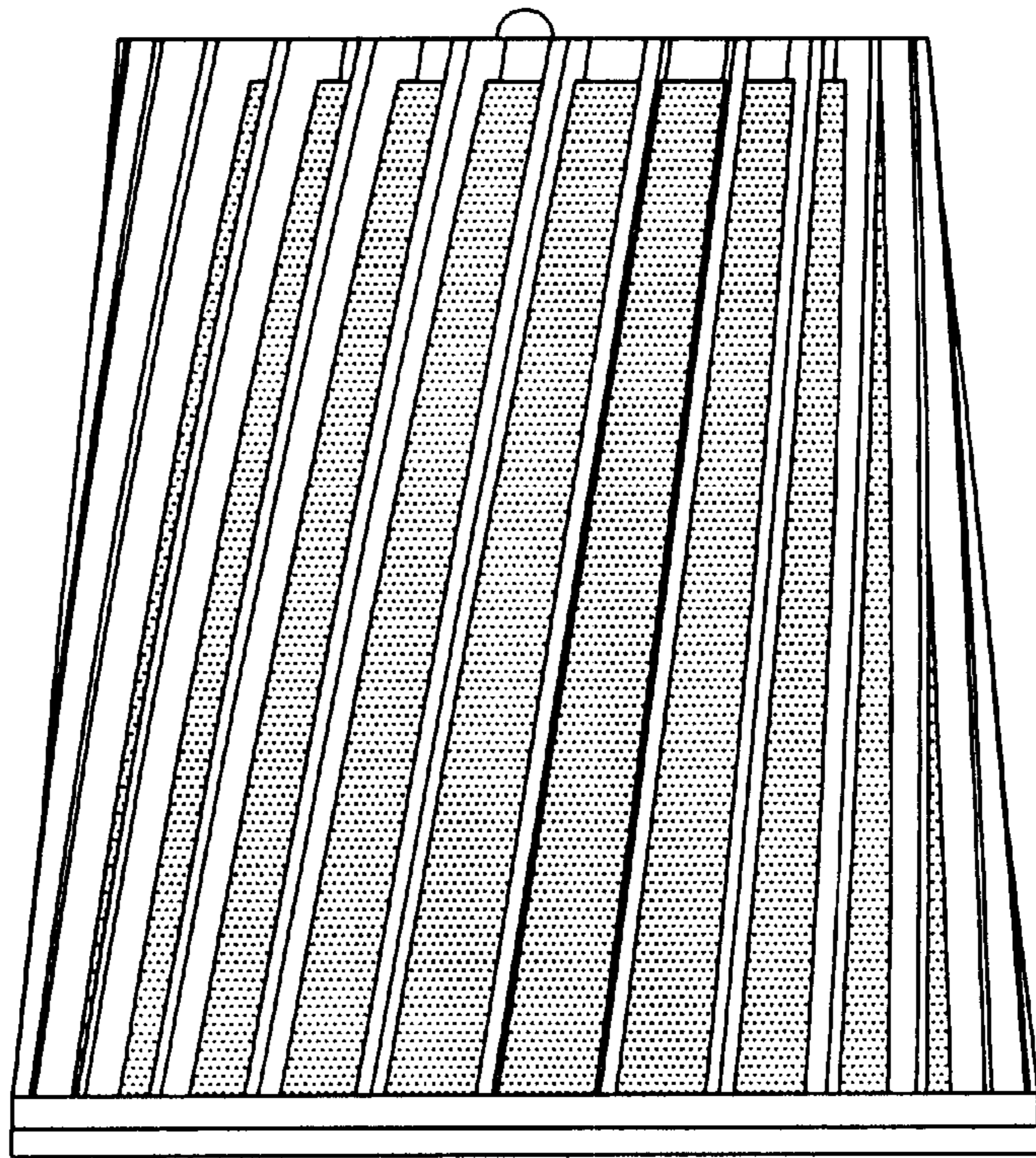


FIG. 5

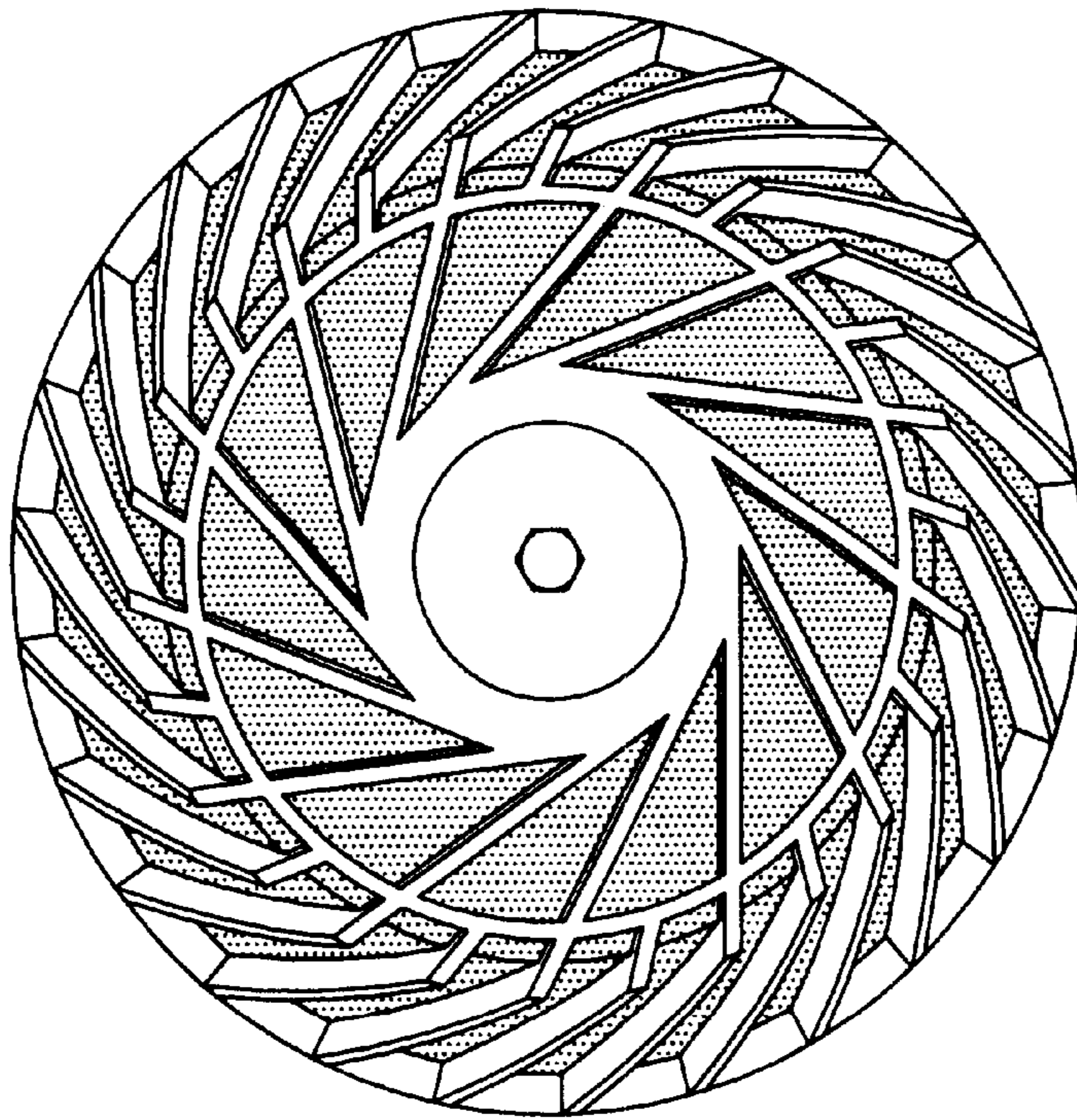


FIG. 6

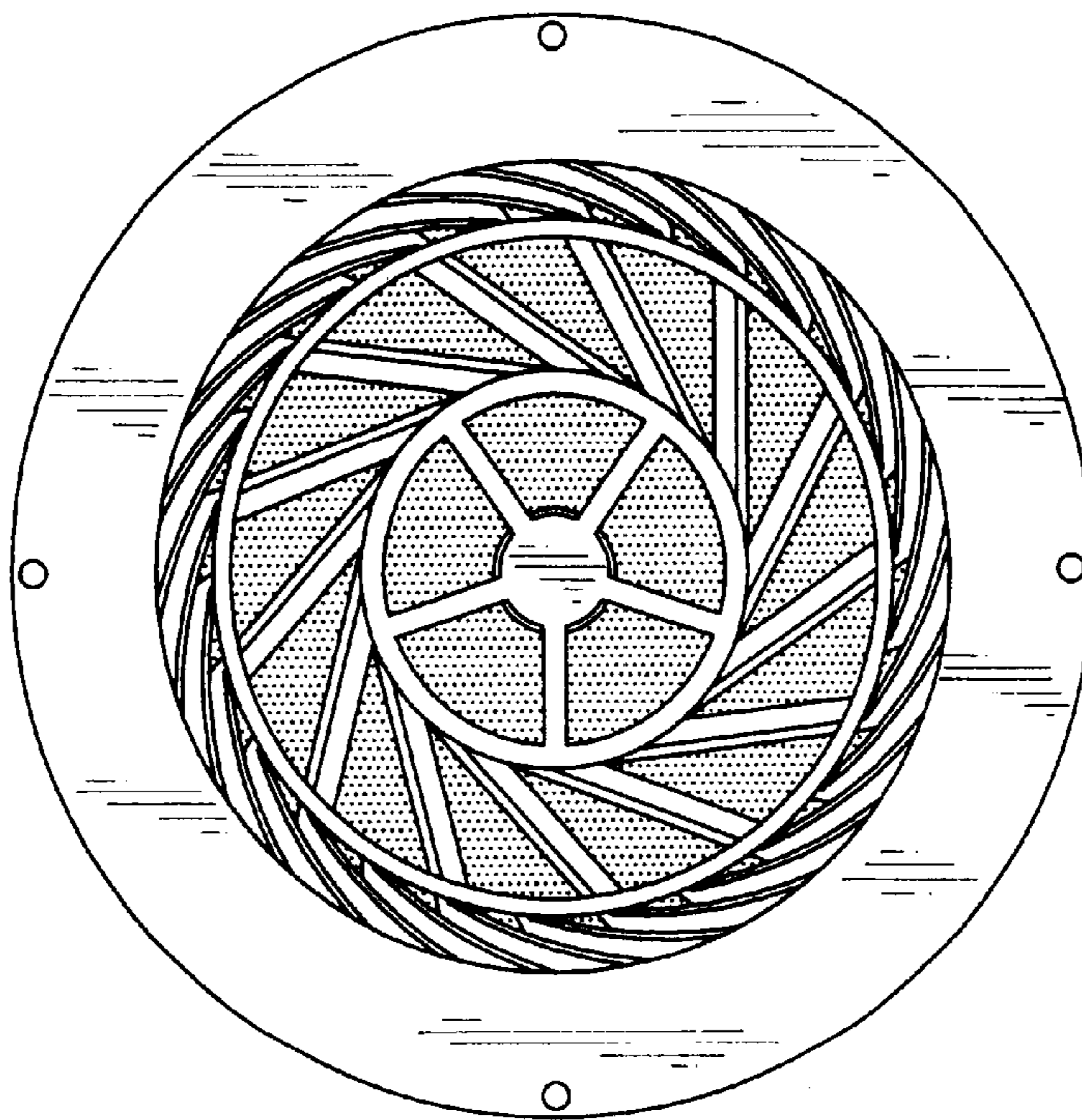


FIG. 7