



US00D474833S

(12) **United States Design Patent**  
**Marshall**

(10) **Patent No.:** **US D474,833 S**

(45) **Date of Patent:** **\*\* May 20, 2003**

(54) **SANITARY MIXING VALVE, ESPECIALLY THE VISIBLE PART OF A BUILT-IN MIXING VALVE**

D460,157 S \* 7/2002 Veltz ..... D23/250  
D461,877 S \* 8/2002 Veltz ..... D23/252  
D463,849 S \* 10/2002 Otero ..... D23/254

**OTHER PUBLICATIONS**

2000 Moen Price Catalog, pp. 40–41, 44–45 (1999).  
Catalog, BÄDER 2001, 6 pages (2000).  
Product Portfolio, Price Pfister, 6 pages (1999).

\* cited by examiner

*Primary Examiner*—Louis S. Zarfaz  
*Assistant Examiner*—Gregory Andoll  
(74) *Attorney, Agent, or Firm*—Duane Morris LLP

(75) **Inventor:** **Chris Marshall, Cumming, GA (US)**

(73) **Assignee:** **Hansgrohe AG, Schiltach (DE)**

(\*\*) **Term:** **14 Years**

(21) **Appl. No.:** **29/158,412**

(22) **Filed:** **Apr. 4, 2002**

(51) **LOC (7) Cl.** ..... **23-01**

(52) **U.S. Cl.** ..... **D23/254**

(58) **Field of Search** ..... D23/238–243,  
D23/245, 249–257; D8/300–310, 350–354;  
4/675–678; 137/801; 16/110.1, 431

(57) **CLAIM**

The ornamental design for a sanitary mixing valve, especially the visible part of a built-in mixing valve, as shown and described.

(56) **References Cited**

**DESCRIPTION**

**U.S. PATENT DOCUMENTS**

D291,239 S	*	8/1987	Haug et al.	.....	D23/254
D322,307 S	*	12/1991	Chretien	.....	D23/252
D379,847 S	*	6/1997	Kohler, Jr.	.....	D23/252
D391,342 S	*	2/1998	Donahue et al.	.....	D23/250
D393,895 S	*	4/1998	Gottwald	.....	D23/254
D401,674 S	*	11/1998	Lord	.....	D23/254
D421,099 S	*	2/2000	Mullenmeister	.....	D23/254
D437,632 S	*	2/2001	Fleischmann	.....	D23/254
D444,856 S	*	7/2001	Green et al.	.....	D23/252
D458,348 S	*	6/2002	Mullenmeister	.....	D23/254

**FIG. 1:** is a side perspective view of a sanitary mixing valve, especially the visible part of a built-in mixing valve, showing my new design;

**FIG. 2:** is a front elevation view thereof;

**FIG. 3:** is a side elevation view thereof, the opposite side being a mirror image;

**FIG. 4:** is a top plan view thereof;

**FIG. 5:** is a bottom plan view thereof; and,

**FIG. 6:** is a rear elevation view thereof.

**1 Claim, 5 Drawing Sheets**

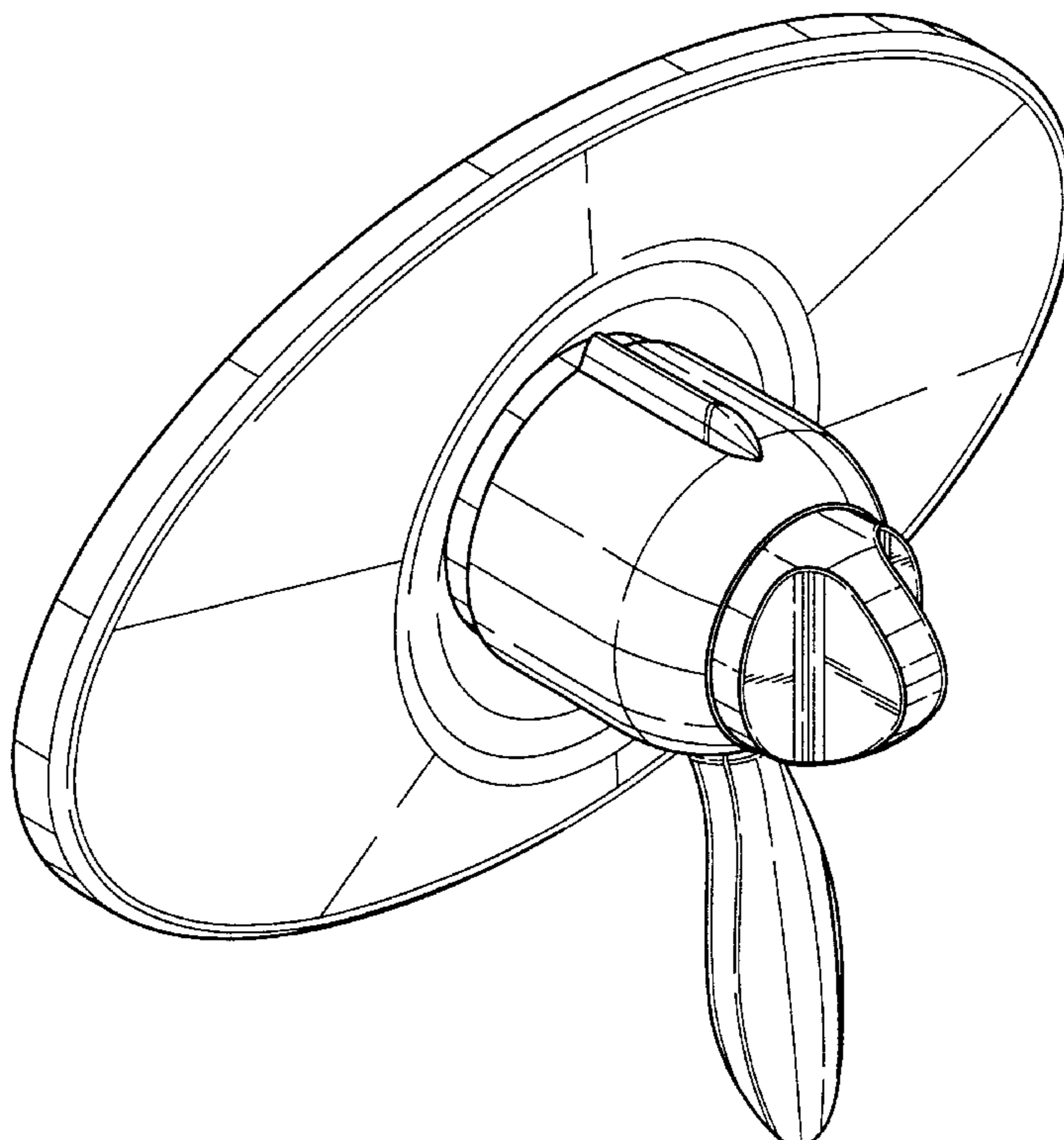


Fig. 1

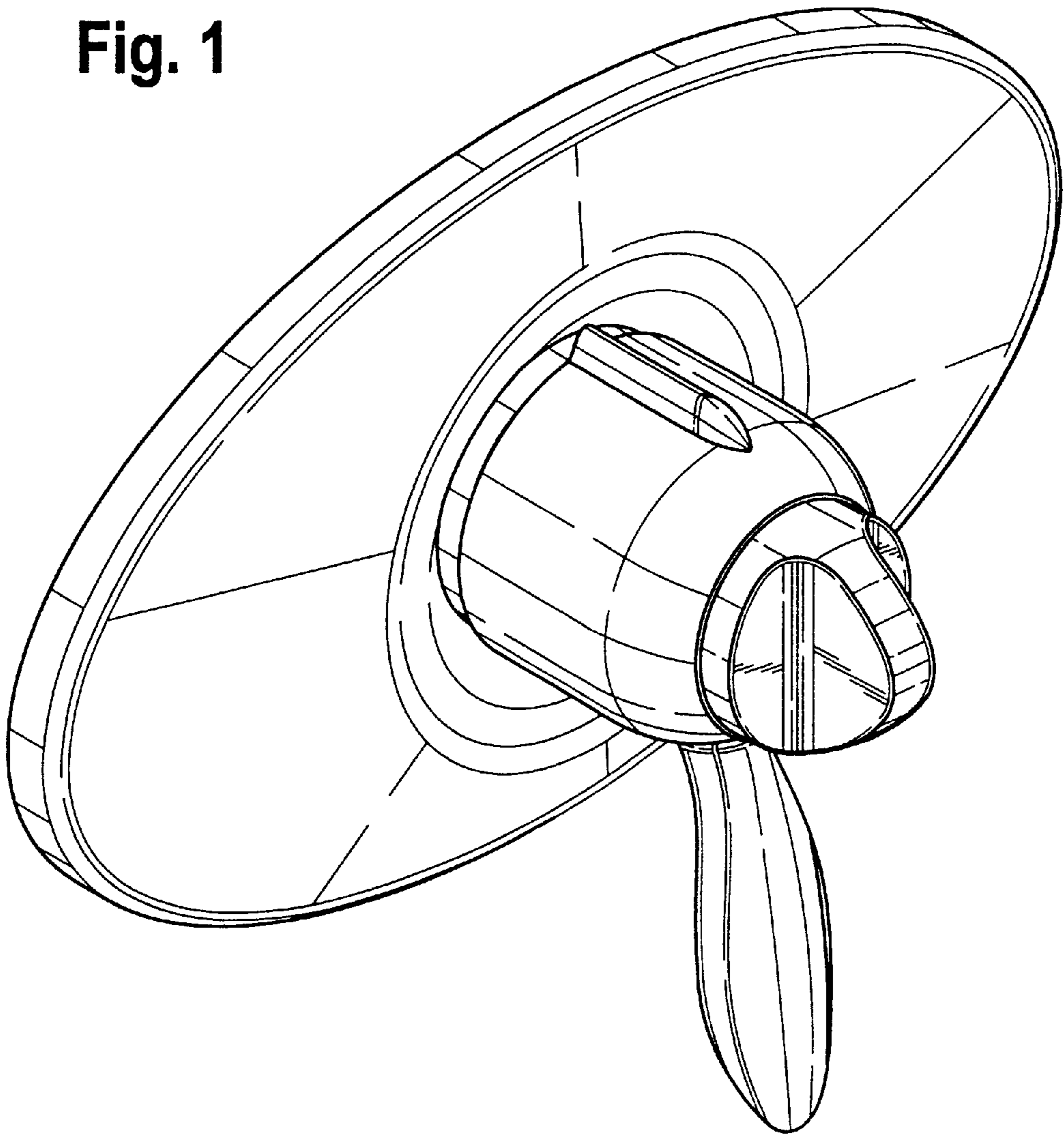
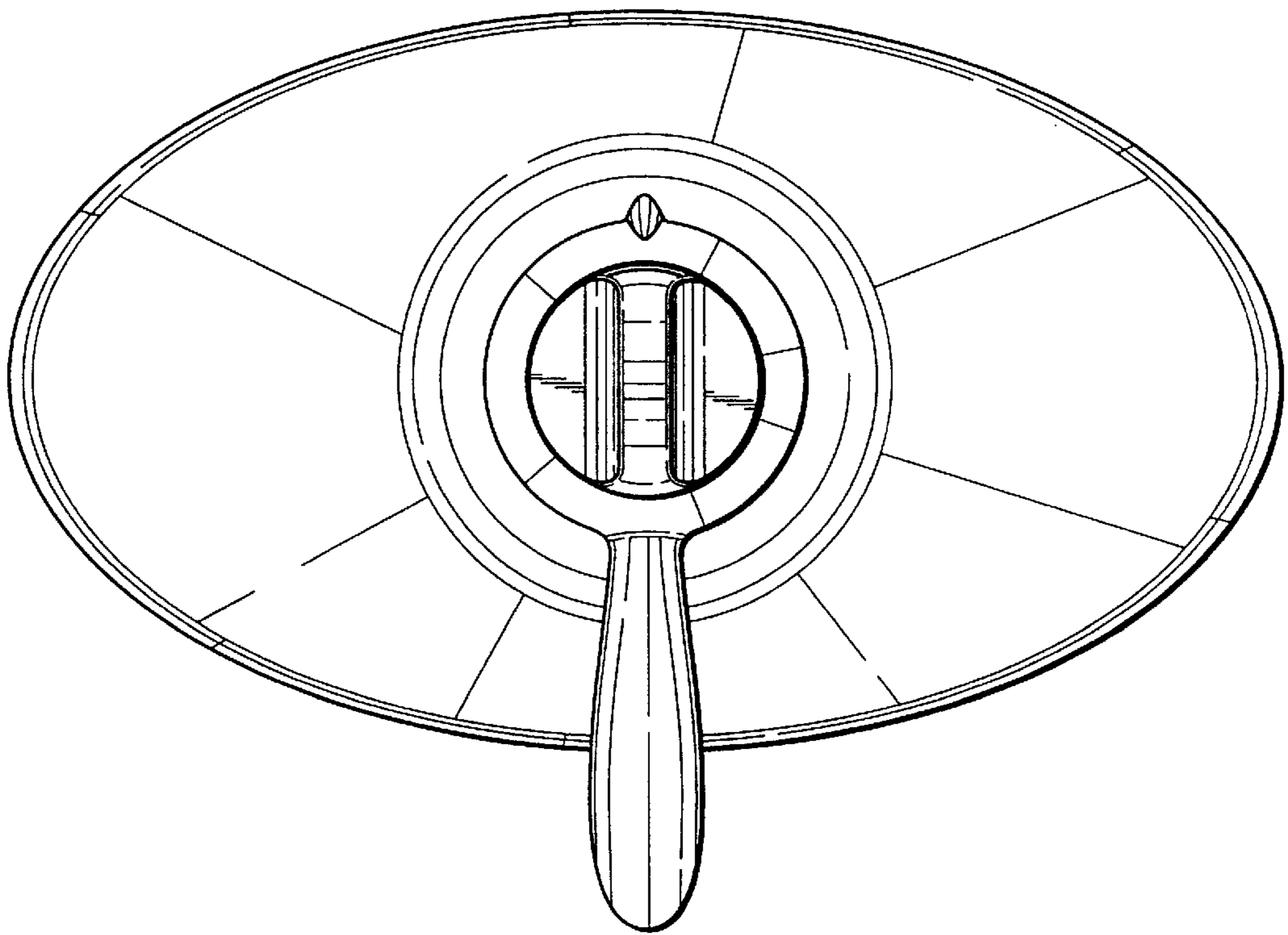


Fig. 2



**Fig. 3**

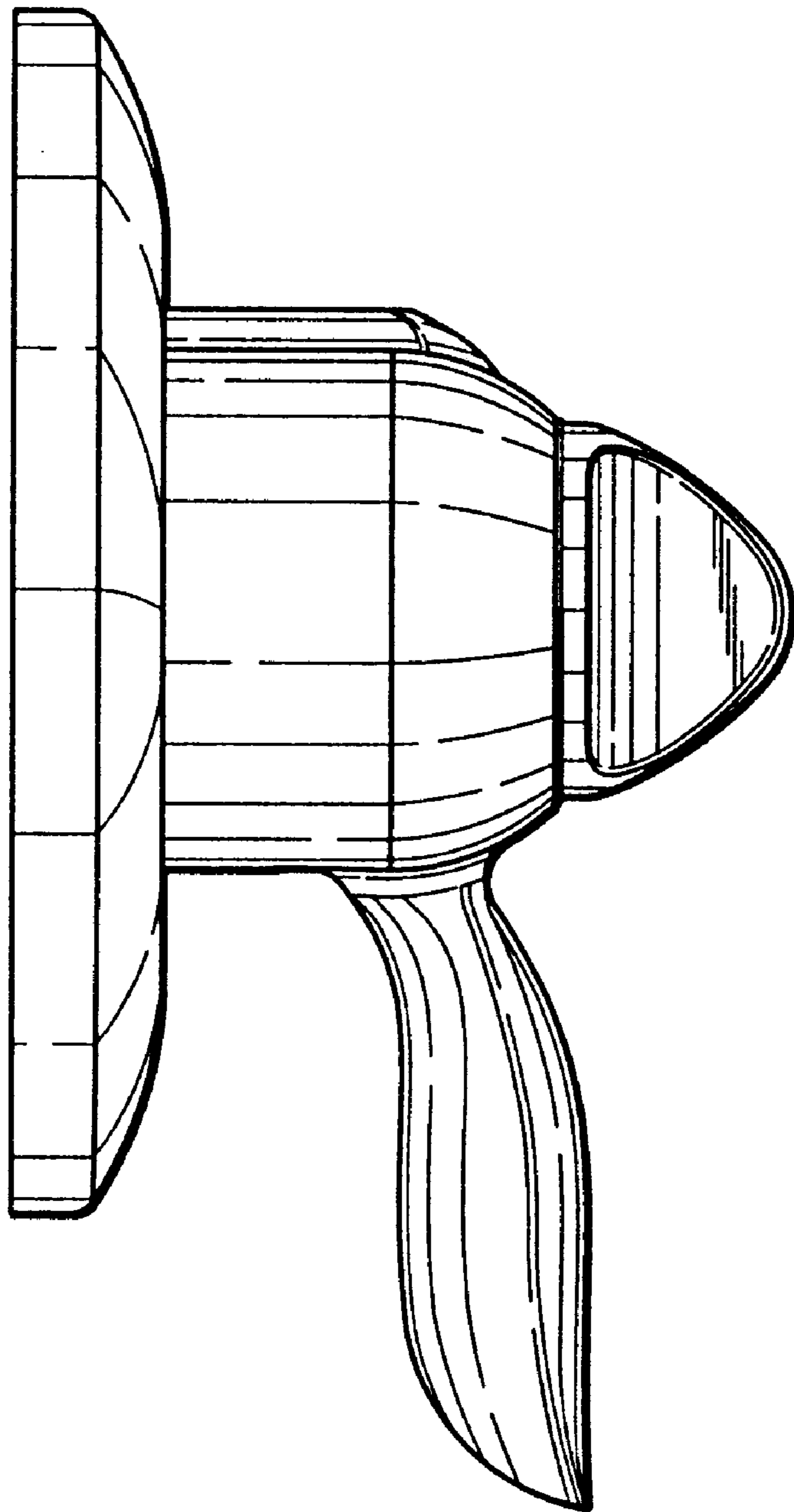


Fig. 4

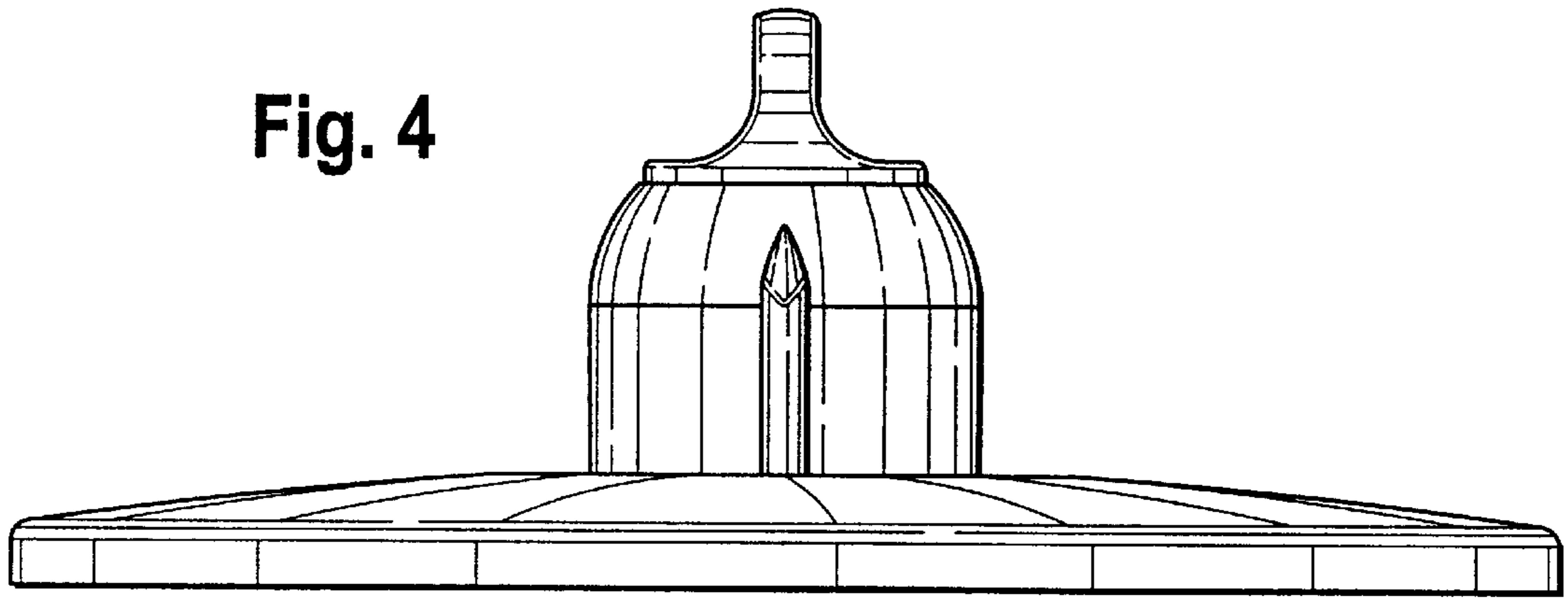
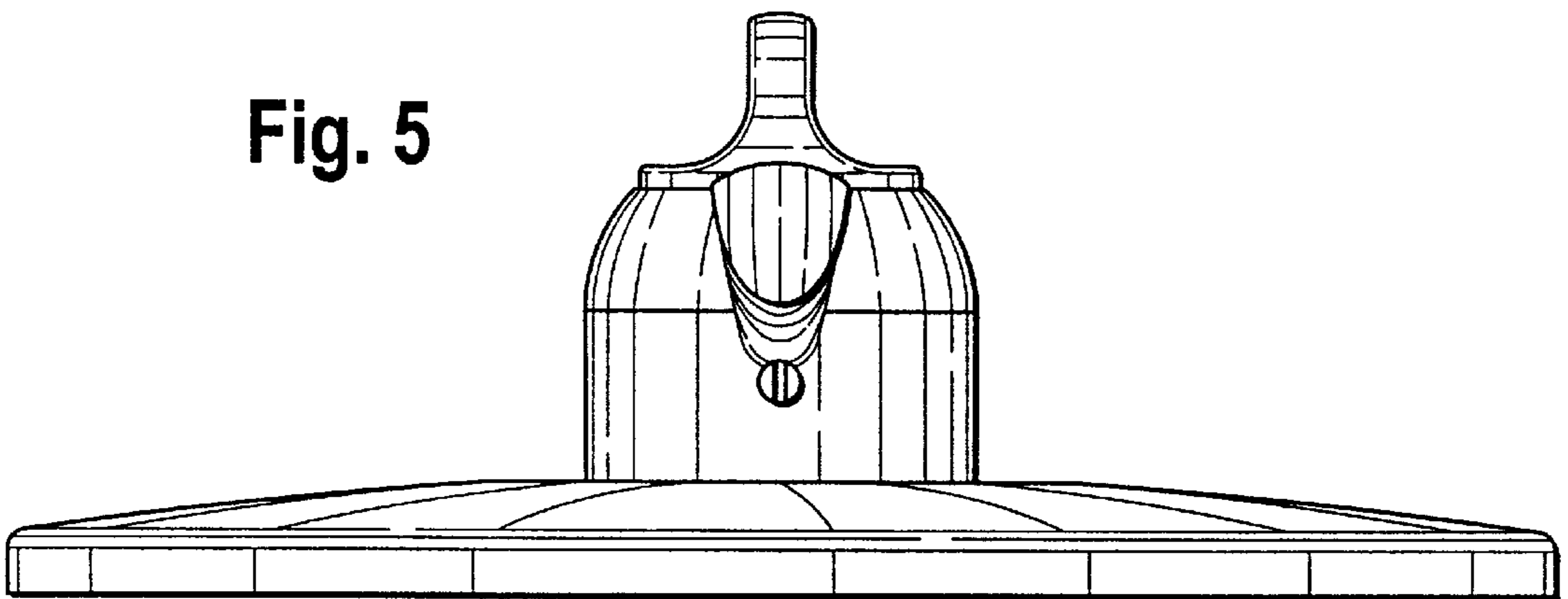


Fig. 5



**Fig. 6**

