



US00D474831S

(12) **United States Design Patent**
Taylor

(10) **Patent No.: US D474,831 S**

(45) **Date of Patent: ** *May 20, 2003**

(54) **INLINE THROTTLE VALVE HOUSING**

(76) Inventor: **Julian S. Taylor**, 8300 SW. 8th St.,
Oklahoma City, OK (US) 73128

(*) Notice: This patent is subject to a terminal dis-
claimer.

(**) Term: **14 Years**

(21) Appl. No.: **29/137,017**

(22) Filed: **Feb. 12, 2001**

(51) **LOC (7) Cl. 23-01**

(52) **U.S. Cl. D23/233**

(58) **Field of Search D23/233-237,**
D23/244, 245; 137/553, 556.3, 556.6, 625.31;
251/208, 209

(56) **References Cited**

U.S. PATENT DOCUMENTS

- 1,361,126 A * 12/1920 Wilson 137/556.6
- 1,558,330 A * 10/1925 Bain 137/556.6
- 1,975,635 A * 10/1934 Dunham 137/553

- 2,011,824 A * 8/1935 Pearson 137/553
- D206,045 S * 10/1966 Baker D23/233
- 3,812,882 A * 5/1974 Taylor 137/556.6
- 5,025,832 A * 6/1991 Taylor 137/625.31
- 5,025,833 A * 6/1991 Hendrick 137/625.31
- 6,275,132 B1 * 8/2001 Chrysler et al. 137/625.31

* cited by examiner

Primary Examiner—Robin V. Taylor
(74) *Attorney, Agent, or Firm*—Robert K. Rhea

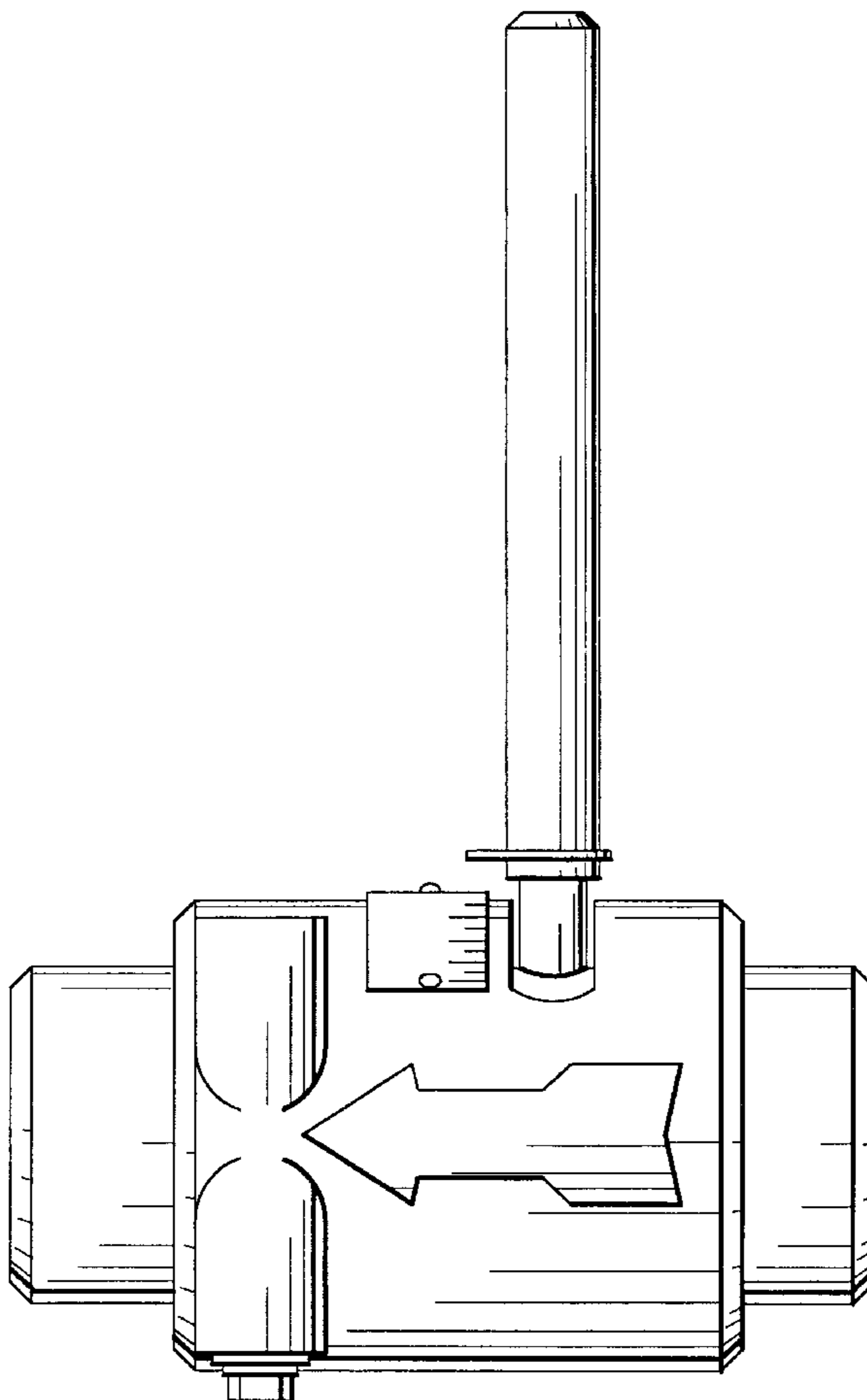
(57) **CLAIM**

The ornamental design for an inline throttle valve housing,
as shown.

DESCRIPTION

FIG. 1 is a front elevational view of an inline throttle valve housing;
FIG. 2 is a top view thereof;
FIG. 3 is a left end view thereof;
FIG. 4 is a right end view thereof;
FIG. 5 is a bottom view thereof; and,
FIG. 6 is a rear elevational view thereof.

1 Claim, 2 Drawing Sheets



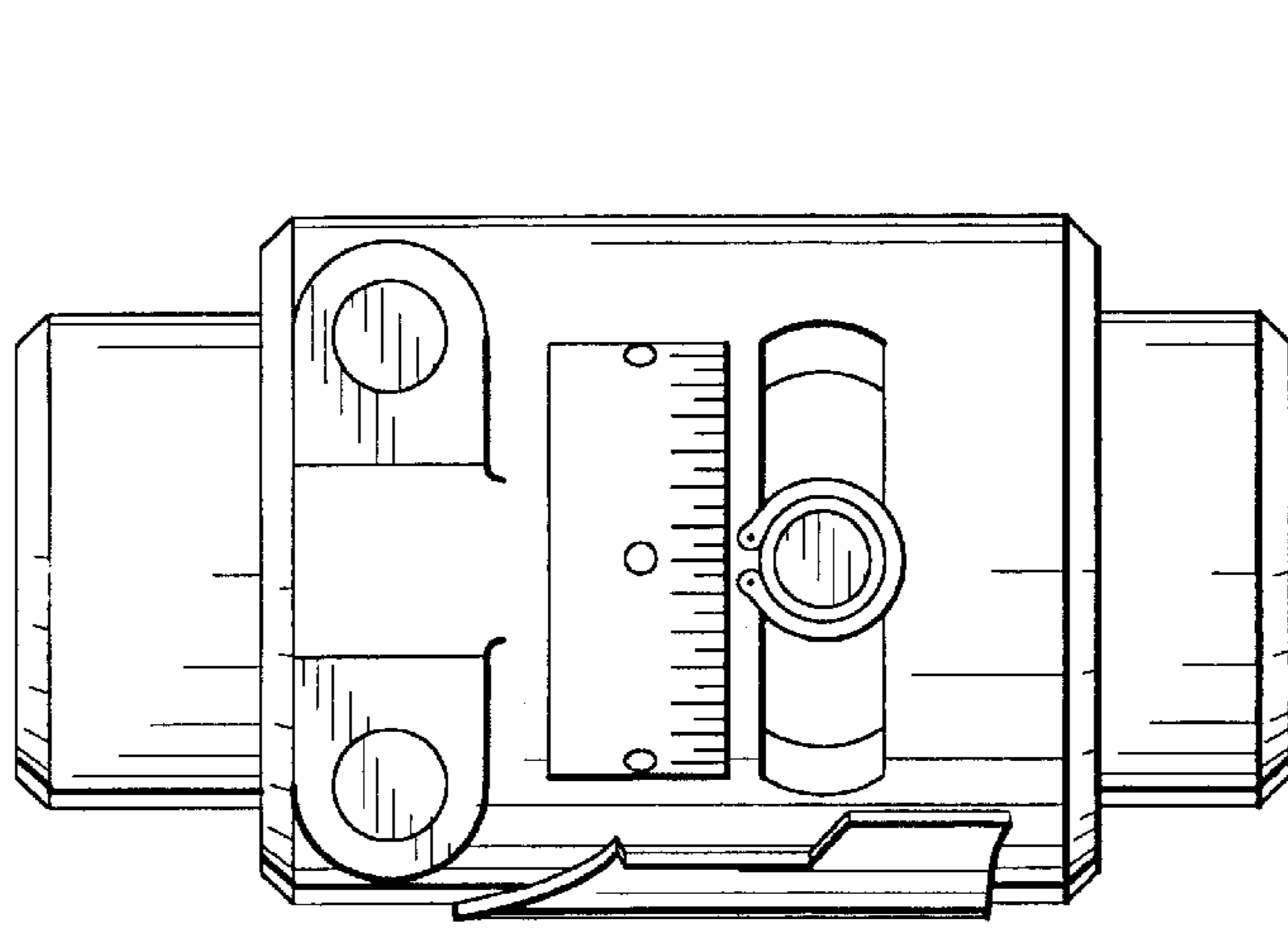


FIG. 1

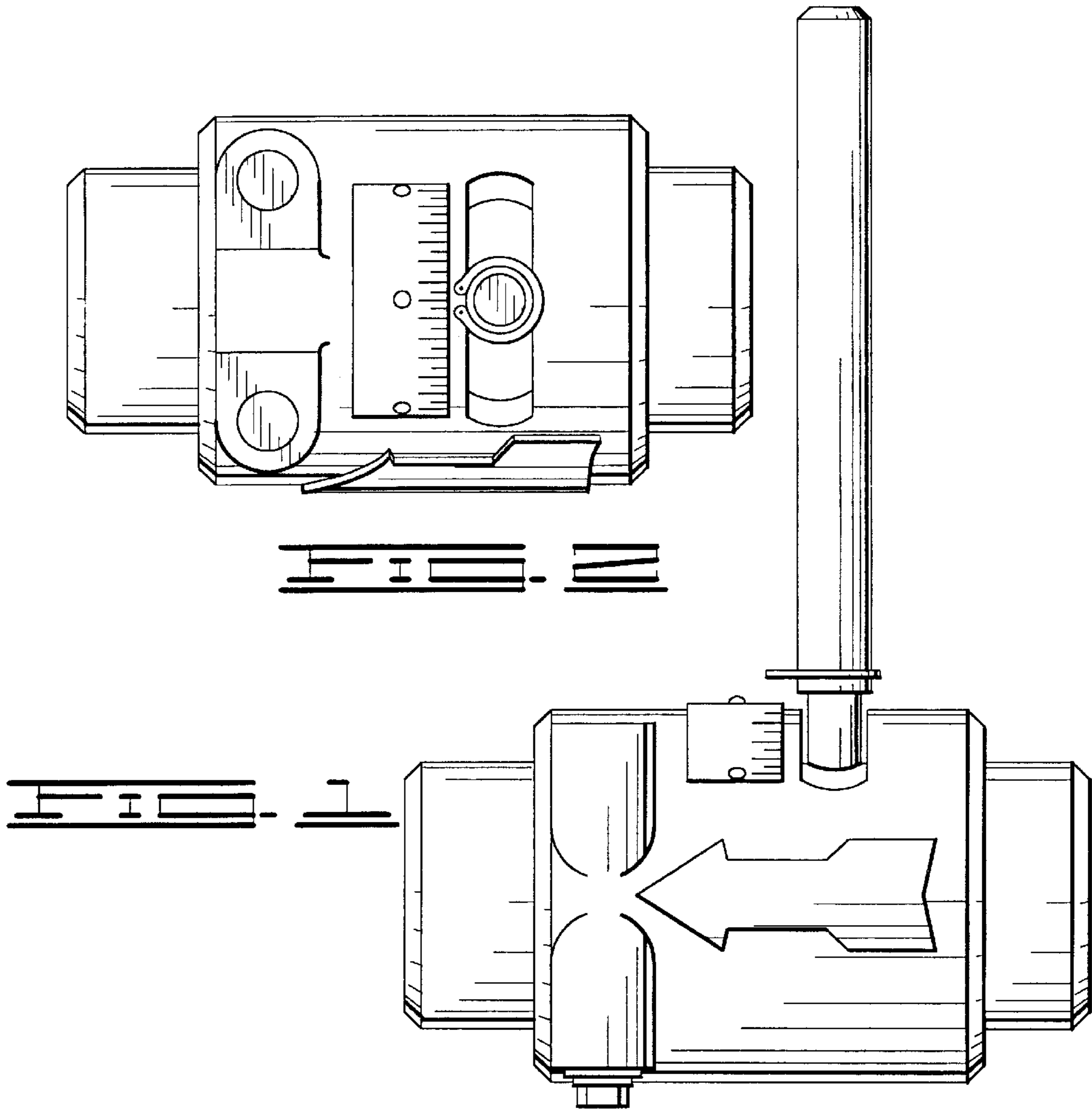


FIG. 2

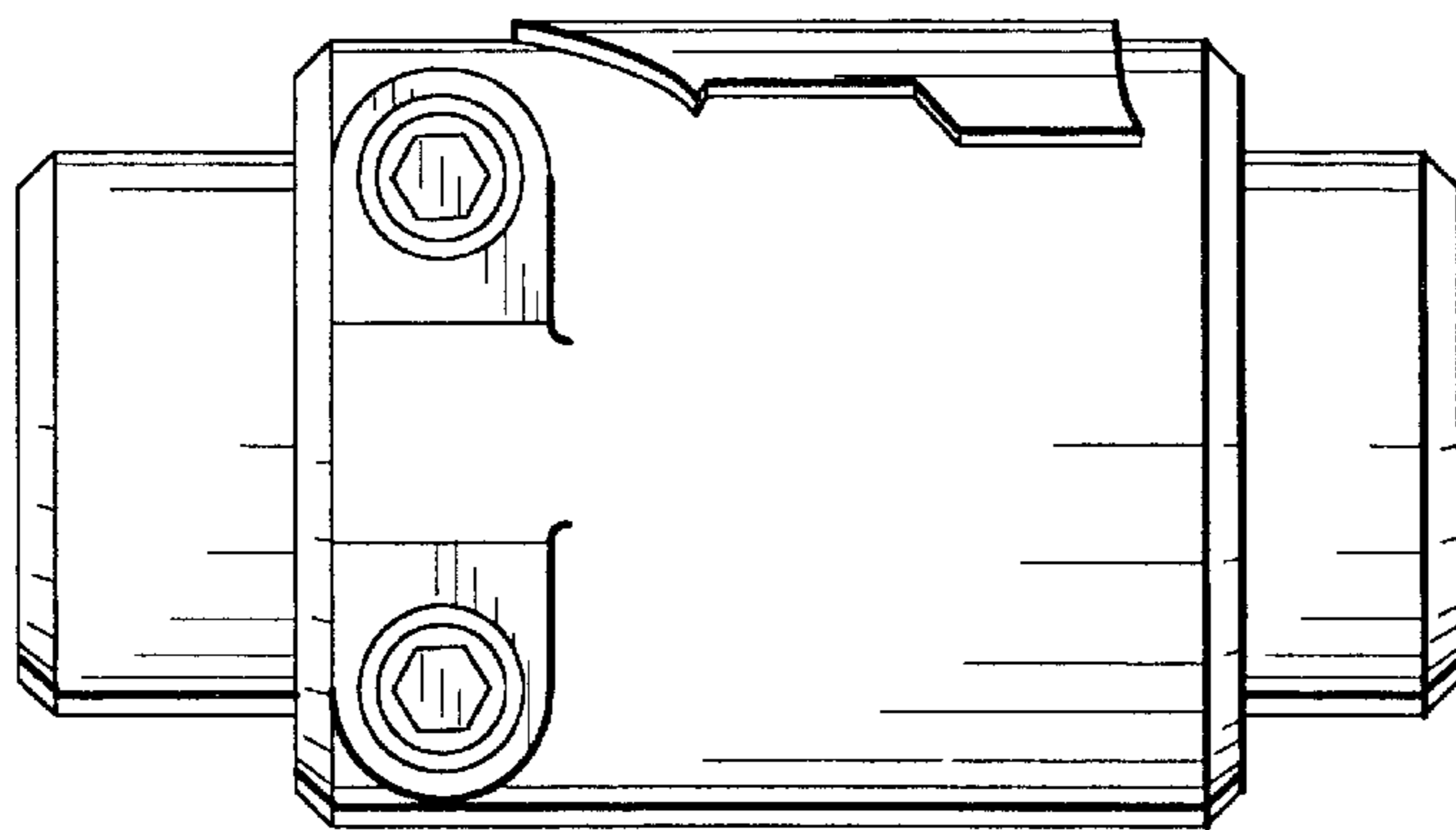


FIG. 3

