



US00D474827S

(12) **United States Design Patent**
Todd

(10) **Patent No.:** **US D474,827 S**

(45) **Date of Patent:** **** May 20, 2003**

(54) **BATON**

(75) **Inventor:** **Geoffrey Robert Todd, Dunedin (NZ)**

(73) **Assignee:** **Alert Trading Limited, Mt. Maunganui (NZ)**

(**) **Term:** **14 Years**

(21) **Appl. No.:** **29/155,307**

(22) **Filed:** **Feb. 8, 2002**

(30) **Foreign Application Priority Data**

Sep. 13, 2001 (NZ) 401941

(51) **LOC (7) Cl.** **22-02**

(52) **U.S. Cl.** **D22/117**

(58) **Field of Search** **D22/117, 118,**
D22/120, 199; 224/914; 463/47.2-47.7;
D21/567

(56) **References Cited**

U.S. PATENT DOCUMENTS

D315,391 S	*	3/1991	Fabrey	D22/117
D315,392 S	*	3/1991	Lew	D22/117
D395,069 S	*	6/1998	Starrett	D22/117
D404,789 S	*	1/1999	Starrett	D22/117
D452,545 S	*	12/2001	Starrett	D22/117

* cited by examiner

Primary Examiner—Catherine R. Oliver

(74) *Attorney, Agent, or Firm*—Workman, Nydegger & Seeley

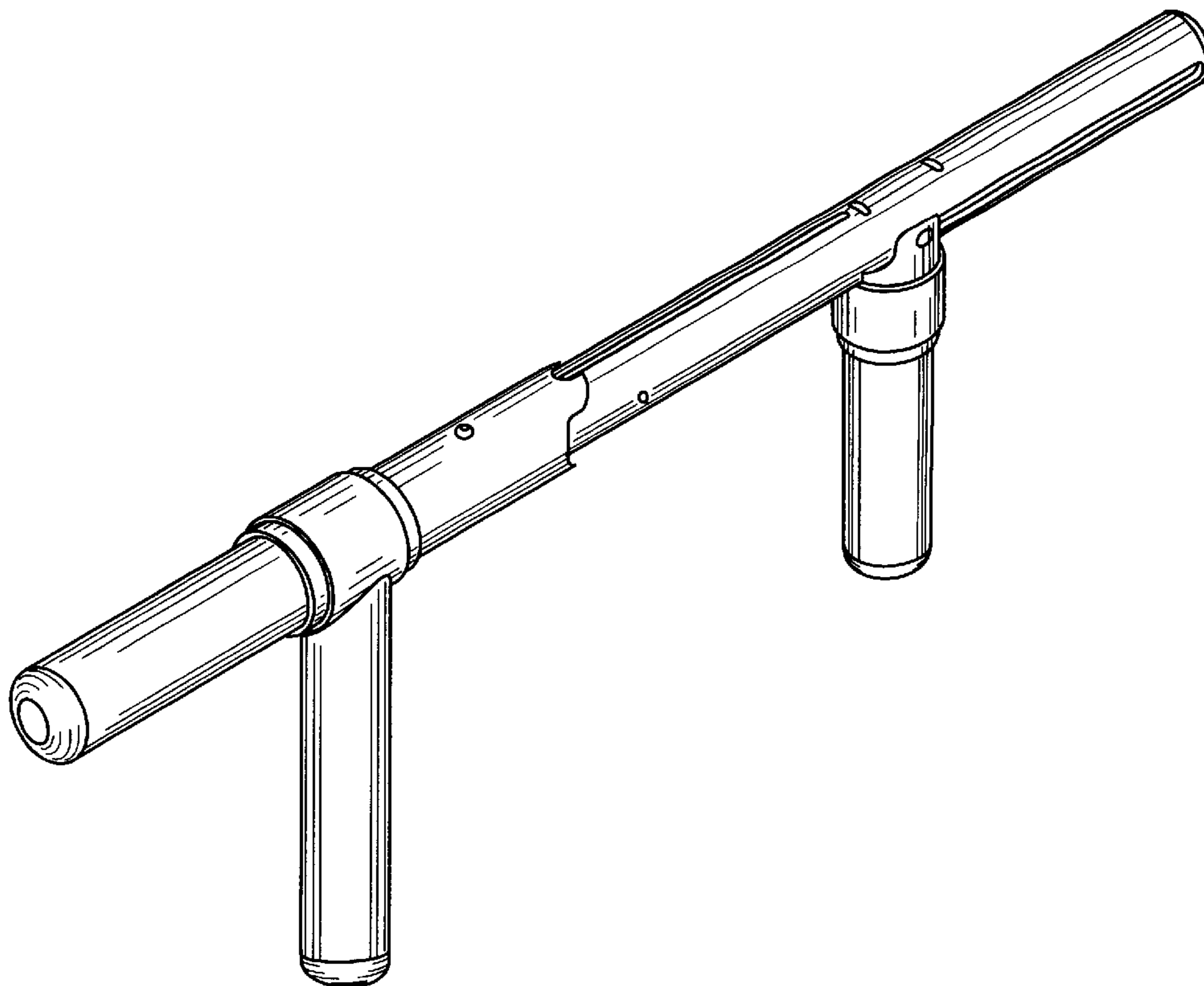
(57) **CLAIM**

The ornamental design for a baton, as shown and described.

DESCRIPTION

FIG. 1 is an elevated front side view of an inventive baton;
 FIG. 2 is an elevated front side view of the baton shown in FIG. 1 in an extended position;
 FIG. 3 is a top plan view of the baton shown in FIG. 1;
 FIG. 4 is a top plan view of the baton shown in FIG. 2;
 FIG. 5 is a bottom plan view of the baton shown in FIG. 1;
 FIG. 6 is a bottom plan view of the baton shown in FIG. 2;
 FIG. 7 is an elevated left side view of the baton shown in FIG. 1;
 FIG. 8 is an elevated right side view of the baton shown in FIG. 1;
 FIG. 9 is an elevated left side view of the baton shown in FIG. 2;
 FIG. 10 is an elevated right side view of the baton shown in FIG. 2;
 FIG. 11 is a perspective view of the baton shown in FIG. 1; and,
 FIG. 12 is a perspective view of the baton shown in FIG. 2.

1 Claim, 5 Drawing Sheets



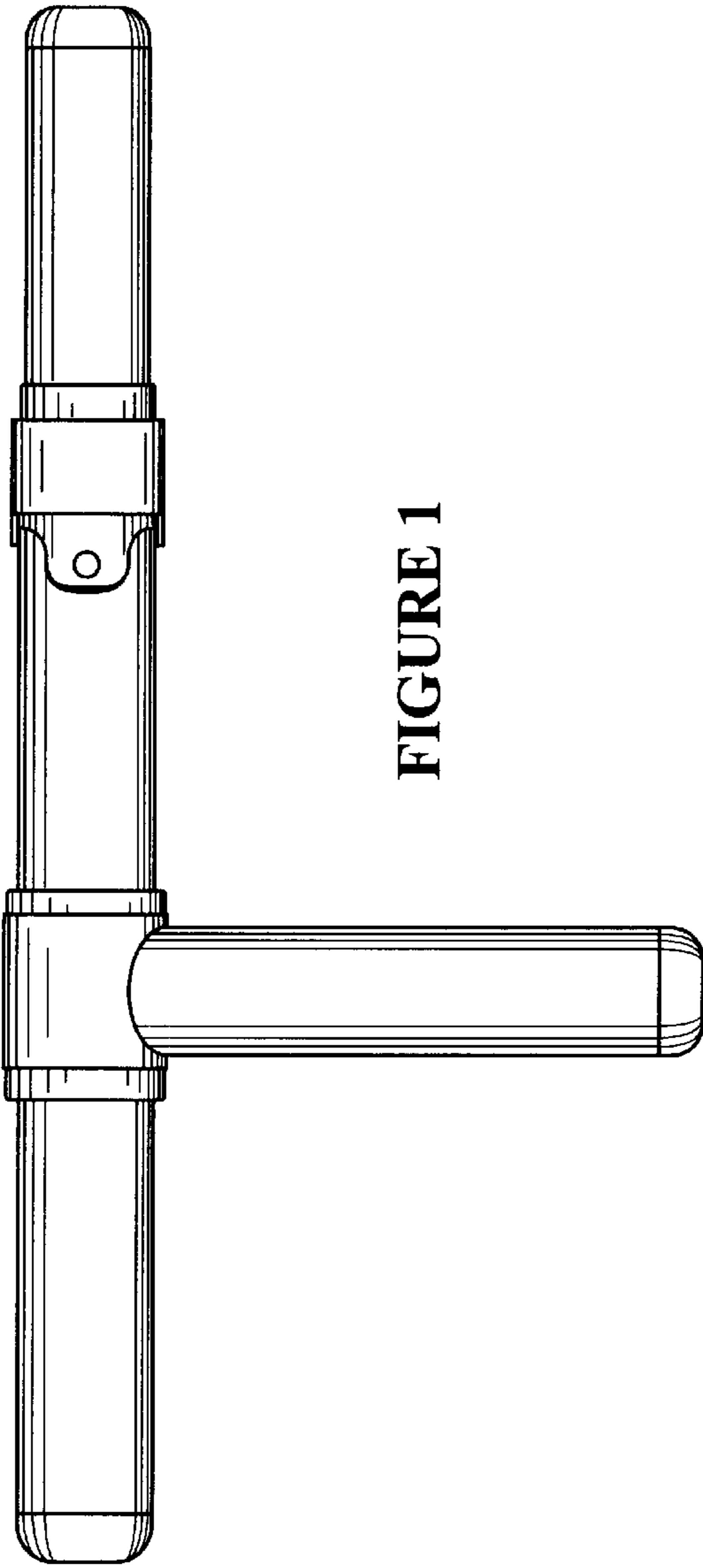


FIGURE 1

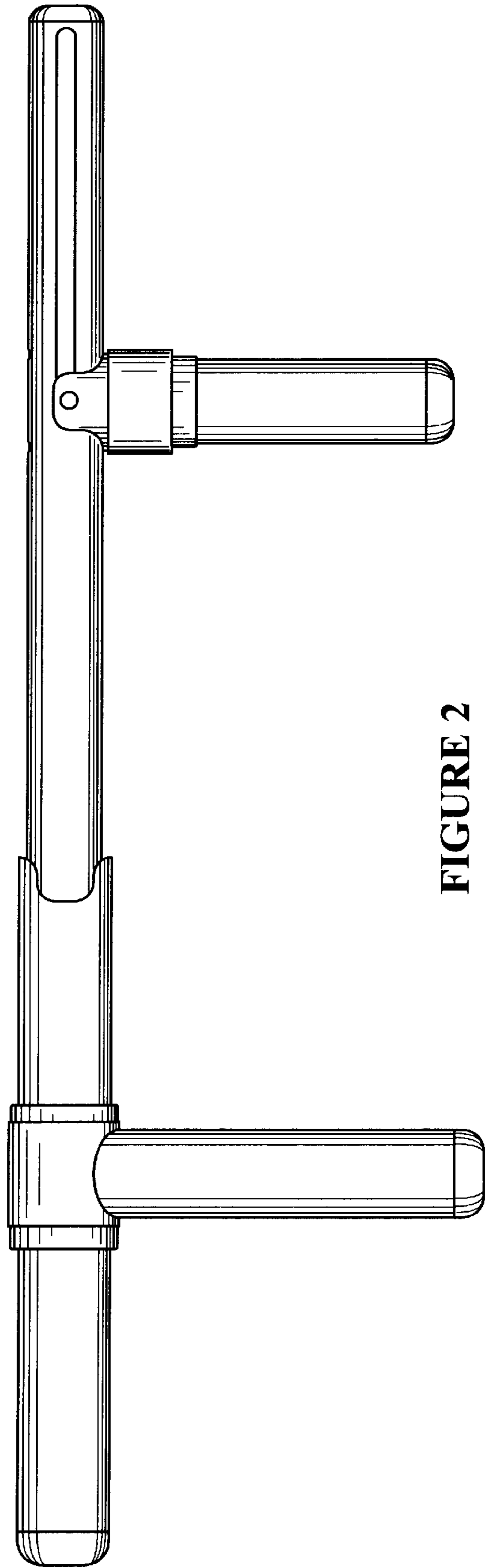


FIGURE 2

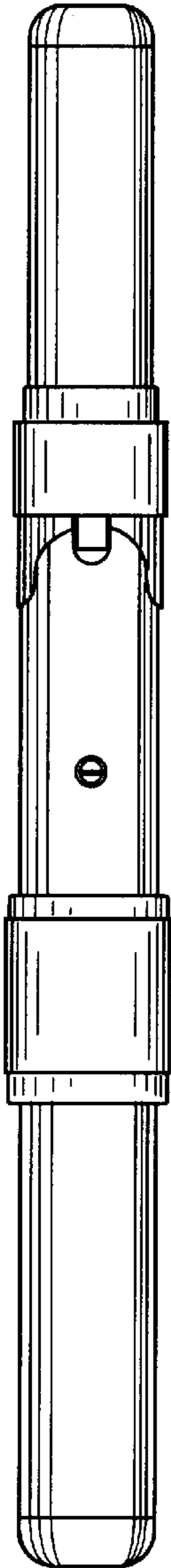


FIGURE 3

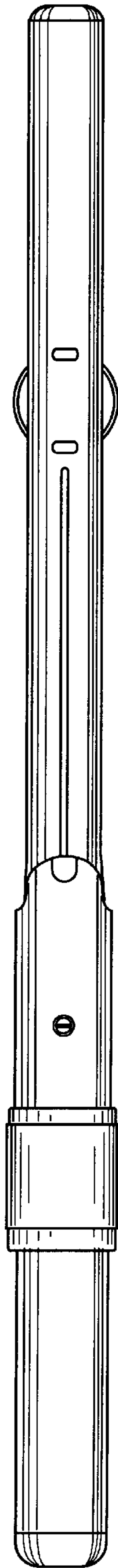


FIGURE 4

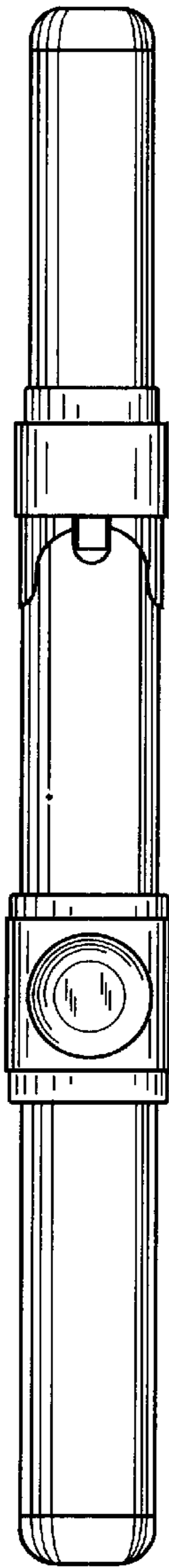


FIGURE 5

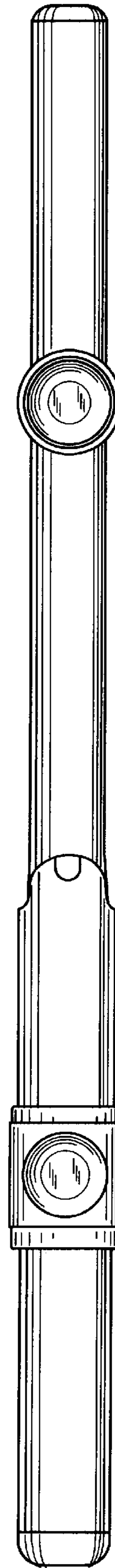


FIGURE 6

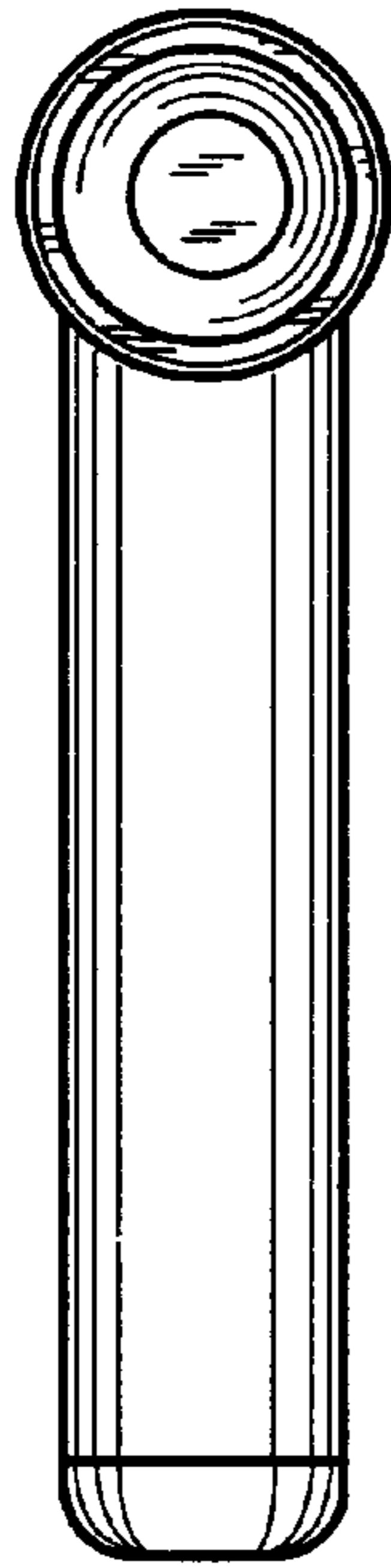


FIGURE 7

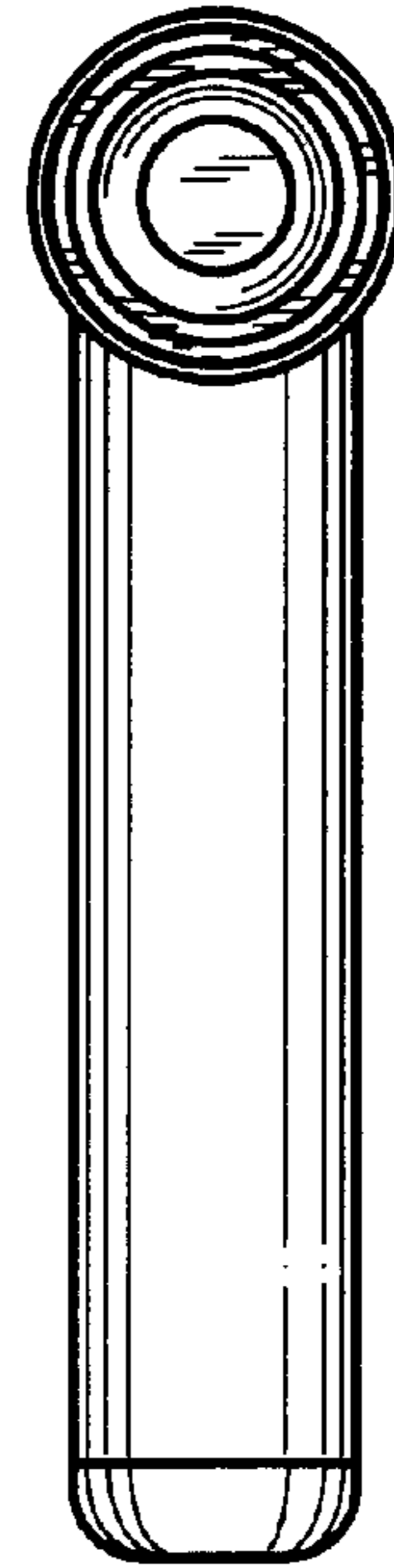


FIGURE 8

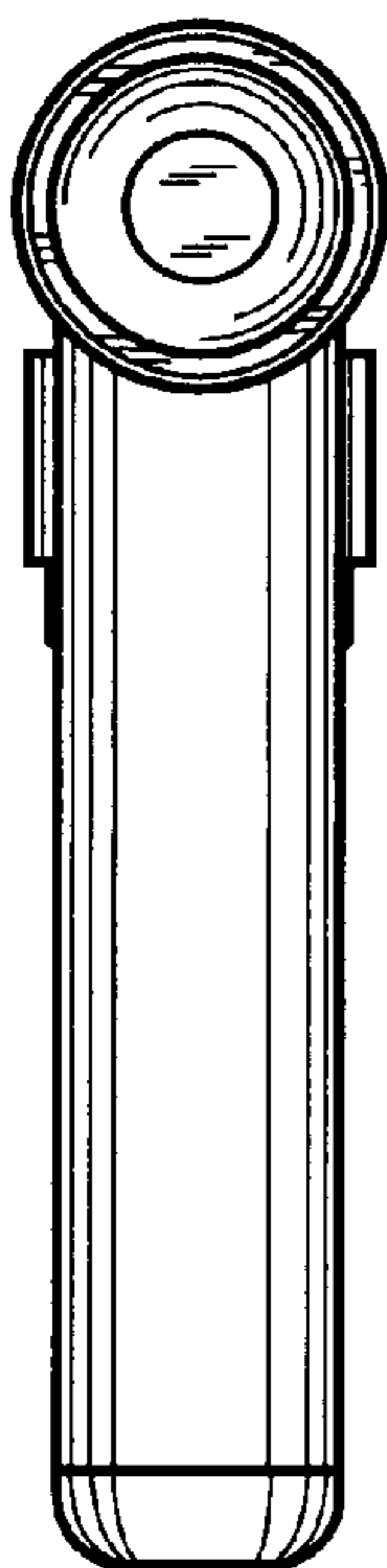


FIGURE 9

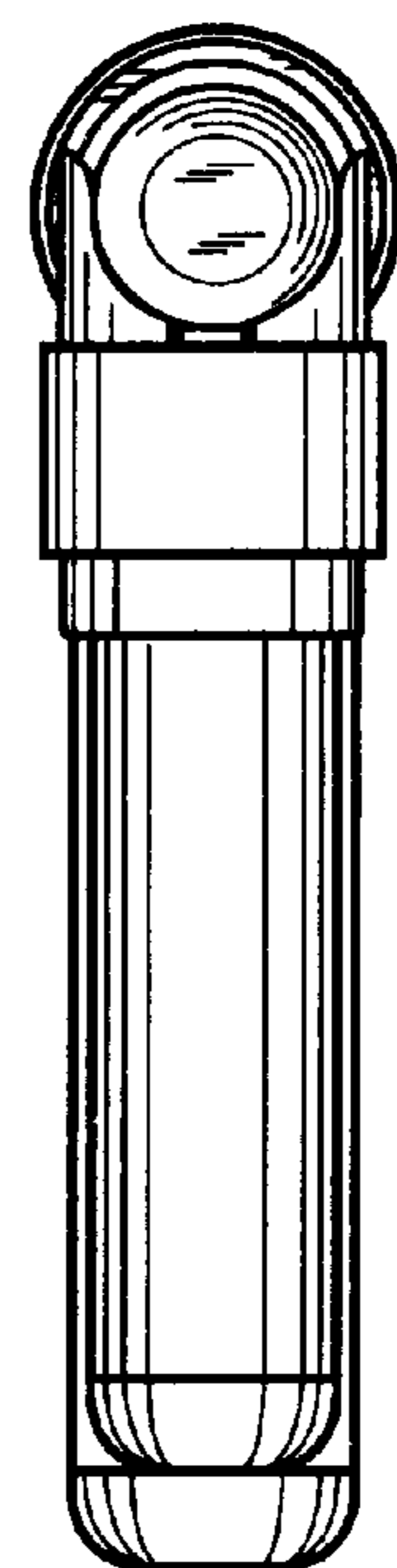


FIGURE 10

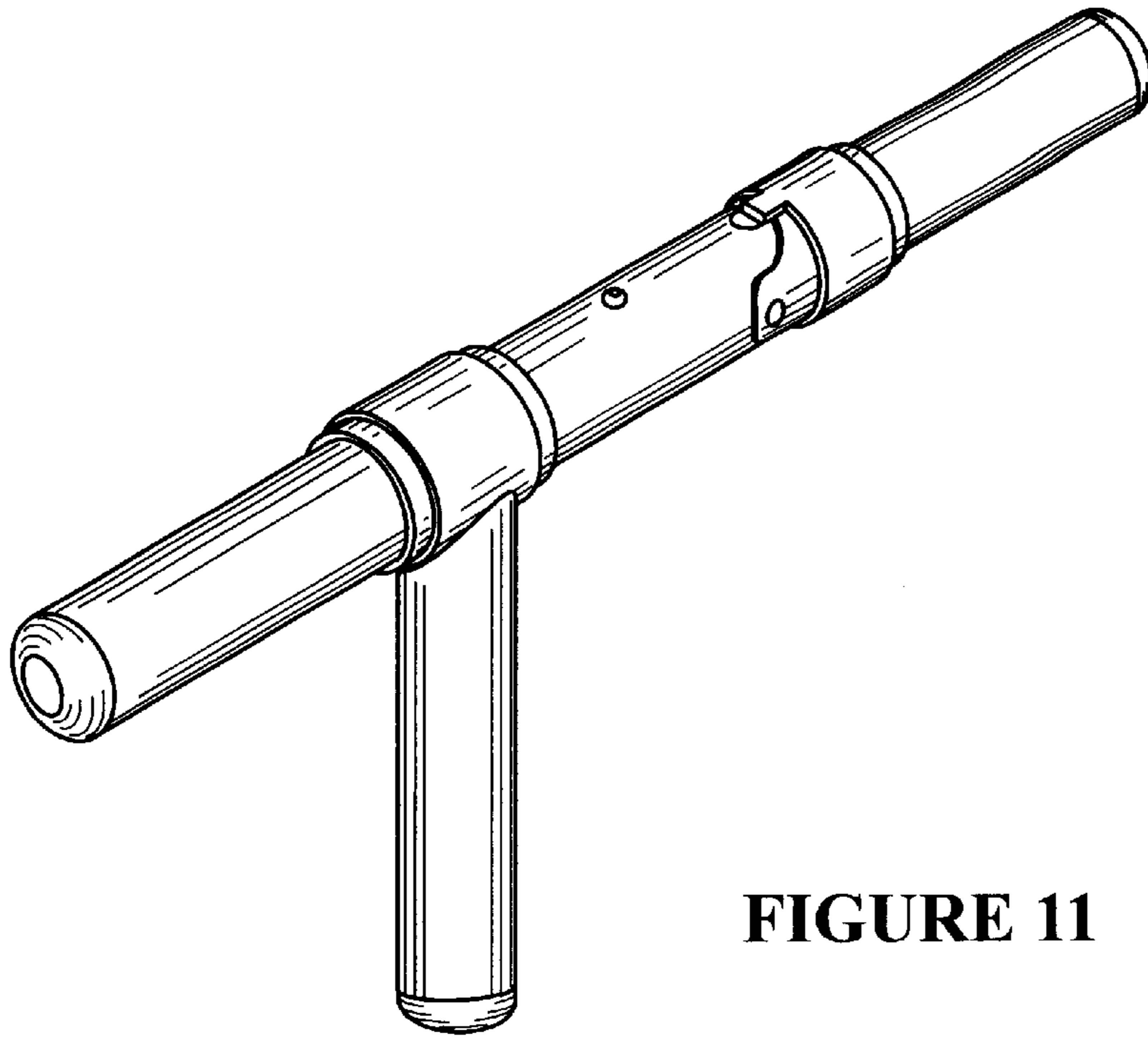


FIGURE 11

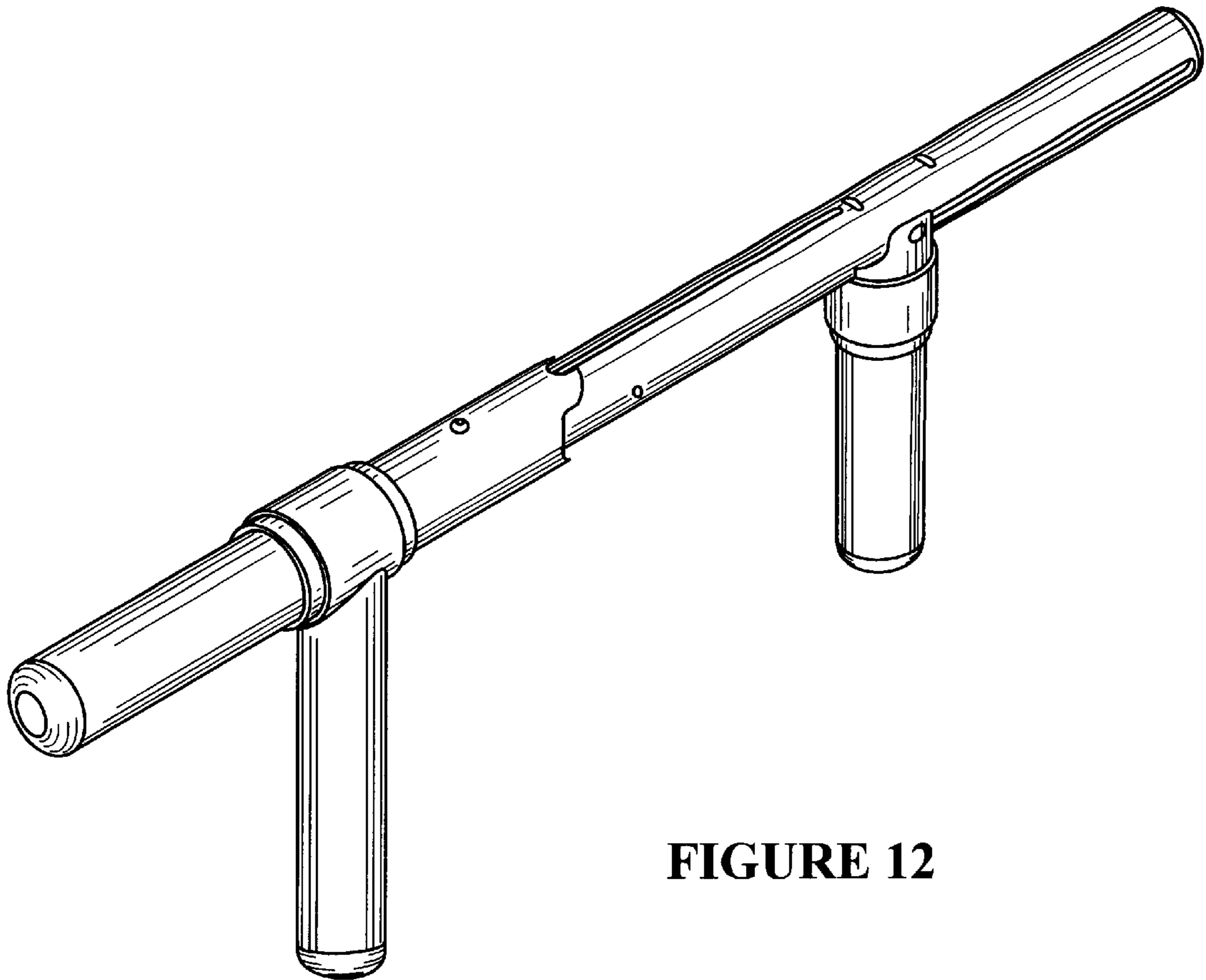


FIGURE 12