



US00D474826S

(12) **United States Design Patent**
Goserud

(10) **Patent No.:** **US D474,826 S**

(45) **Date of Patent:** **** May 20, 2003**

(54) **RESILIENT PLASTIC TUBE HOLDER FOR A GOLF TEE**

5,641,103 A * 6/1997 Potik et al. 224/251
D398,359 S * 9/1998 Hicks D21/796

(76) Inventor: **J. Thomas Goserud**, 3152 Woodridge Dr., Landisville, PA (US) 17538-1347

* cited by examiner

(**) Term: **14 Years**

Primary Examiner—Mitchell Siegel

(74) *Attorney, Agent, or Firm*—Norman B. Rainer

(21) Appl. No.: **29/155,206**

(57) **CLAIM**

(22) Filed: **Feb. 7, 2002**

The ornamental design for a resilient plastic tube holder for a golf tee, as shown and described.

(51) **LOC (7) Cl.** **21-02**

DESCRIPTION

(52) **U.S. Cl.** **D21/796**

(58) **Field of Search** D21/789, 796;
221/281; 224/274, 918, 251, 666, 675,
677; 206/315.5, 315.9; 473/391

FIG. 1 is a perspective view of a resilient plastic tube holder for a golf tee showing my new design and shown in functional association with a golf tee and holding ring, both shown in phantom outline and neither part of the present invention;

(56) **References Cited**

U.S. PATENT DOCUMENTS

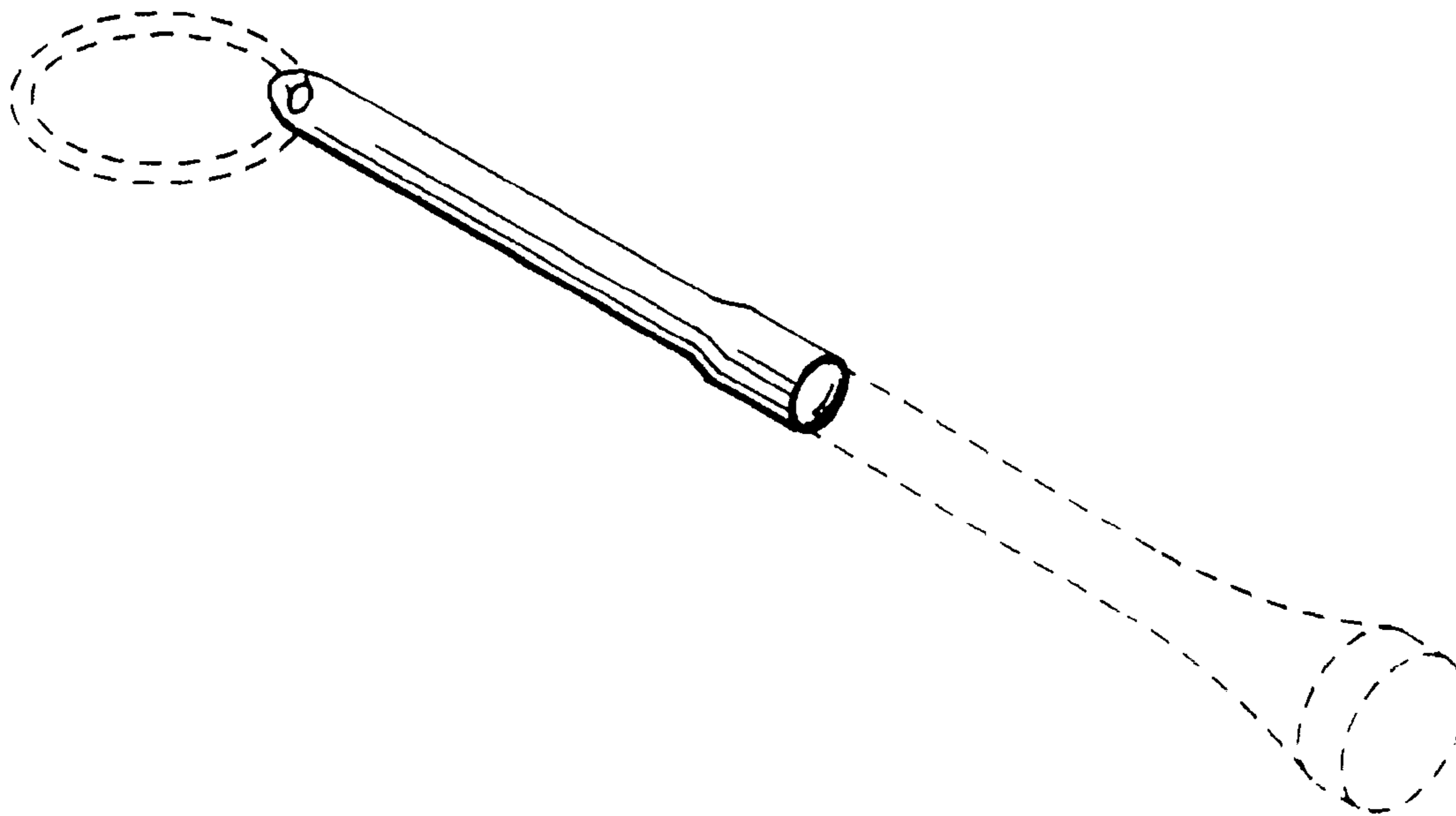
4,573,610 A * 3/1986 Hurner 221/281
4,993,613 A * 2/1991 Frisbie 224/251
5,172,839 A * 12/1992 Frisbie 224/251

FIG. 2 is a side view thereof;

FIG. 3 is a top view thereof; and,

FIG. 4 is a bottom view thereof.

1 Claim, 1 Drawing Sheet



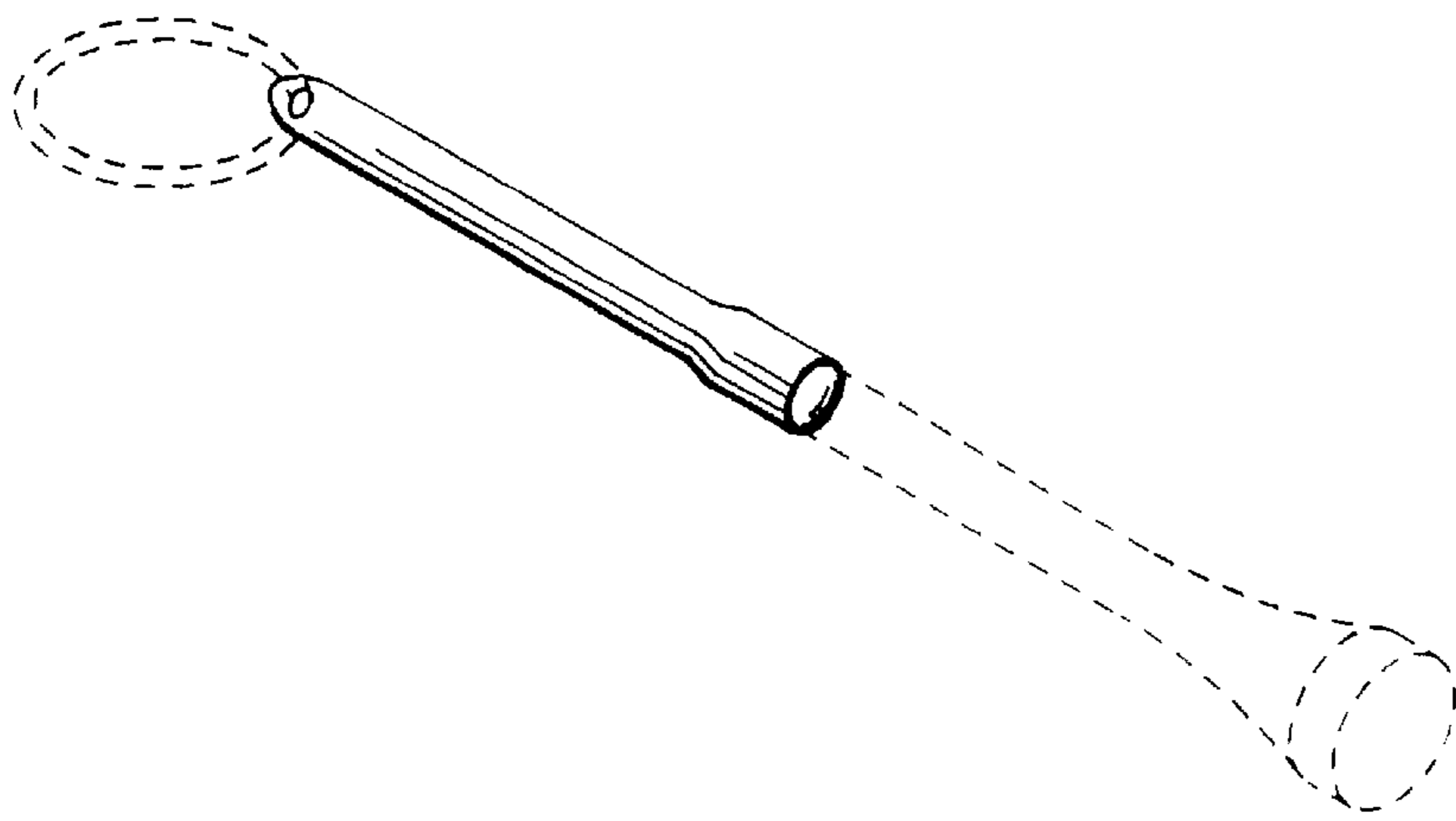


Fig. 1



Fig. 2



Fig. 3



Fig. 4



Fig. 5