



US00D474819S

(12) **United States Design Patent**  
**Panicali**

(10) **Patent No.:** **US D474,819 S**

(45) **Date of Patent:** **\*\* May 20, 2003**

(54) **ADAPTIVE HANDLE FOR A HEXAGON DUMBBELL TO GO FROM SINGLE HAND GRIP TO DUAL GRIP**

(76) Inventor: **John A. Panicali**, 3 Sunrise Ct., Colts Neck, NJ (US) 07722

(\*\*) Term: **14 Years**

(21) Appl. No.: **29/160,020**

(22) Filed: **May 2, 2002**

(51) **LOC (7) Cl.** ..... **21-02**

(52) **U.S. Cl.** ..... **D21/681; D21/682**

(58) **Field of Search** ..... D21/662, 680, D21/681, 682, 683, 684; 482/105, 106, 107, 108, 44, 49

(56) **References Cited**

**U.S. PATENT DOCUMENTS**

- 4,743,017 A \* 5/1988 Jaeger ..... 482/108
- 4,971,318 A \* 11/1990 Tracy ..... 482/107
- 5,110,119 A \* 5/1992 Arnold ..... 482/93
- 5,350,345 A \* 9/1994 Frey ..... 482/105
- 5,415,607 A \* 5/1995 Carpenter ..... 482/106
- 5,573,484 A \* 11/1996 Carpenter ..... 482/108

5,709,634 A \* 1/1998 Pointer ..... 482/105

\* cited by examiner

*Primary Examiner*—Philip S. Hyder

(74) *Attorney, Agent, or Firm*—Charles I. Brodsky

(57) **CLAIM**

The ornamental design for an adaptive handle for a hexagon dumbbell to go from single hand grip to dual grip, as shown and described.

**DESCRIPTION**

FIG. 1 is a perspective view of an adaptive handle for a hexagon dumbbell to go from single hand grip to dual grip, showing my new design;

FIG. 2 is a front elevational view thereof;

FIG. 3 is a rear elevational view thereof;

FIG. 4 is a left side elevational view showing my new design;

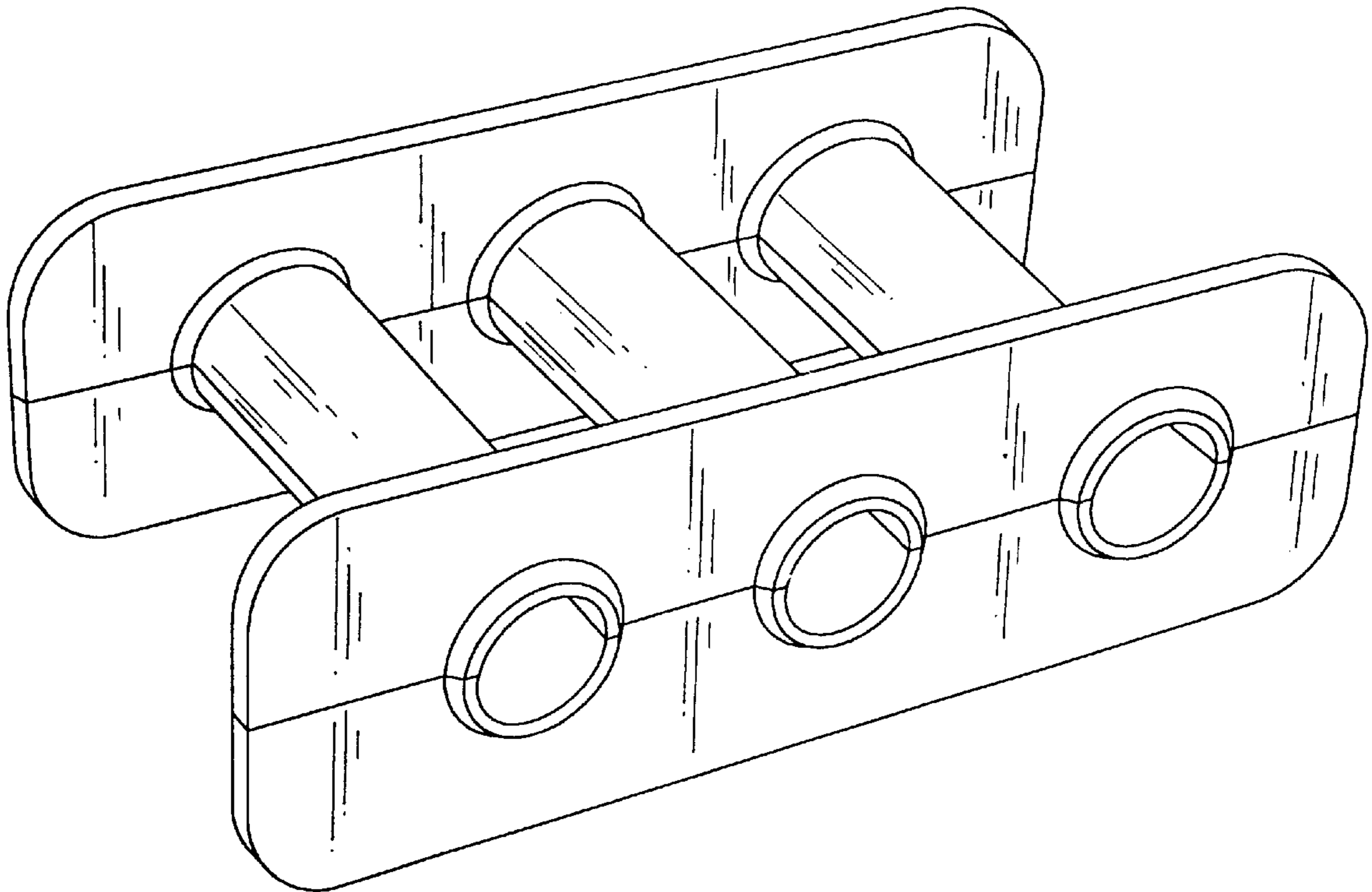
FIG. 5 is a right side elevational view thereof;

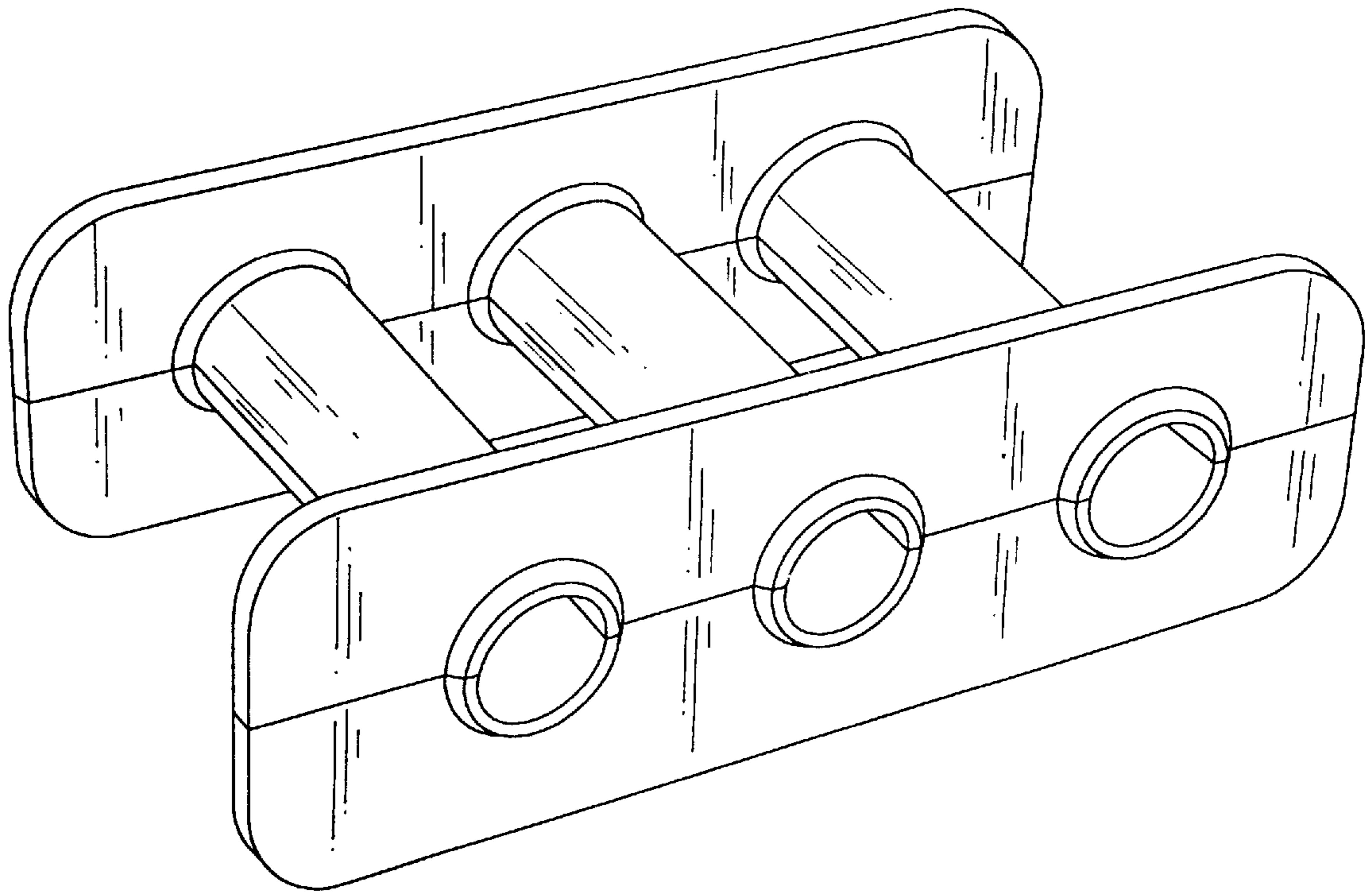
FIG. 6 is a top plan view thereof;

FIG. 7 is a bottom plan view thereof; and,

FIG. 8 is an exploded perspective view thereof, wherein the broken line showing of the hexagon dumbbell is for illustrative purposes only and forms no part of the claimed design.

**1 Claim, 6 Drawing Sheets**





*FIG. 1*

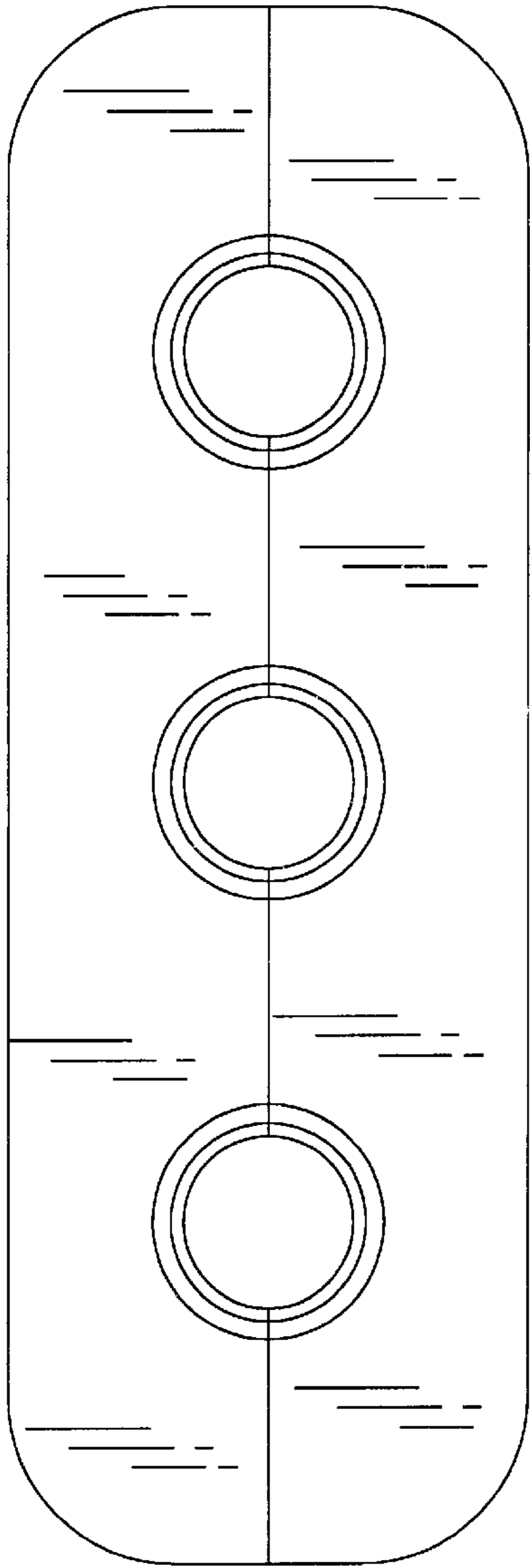


FIG. 2

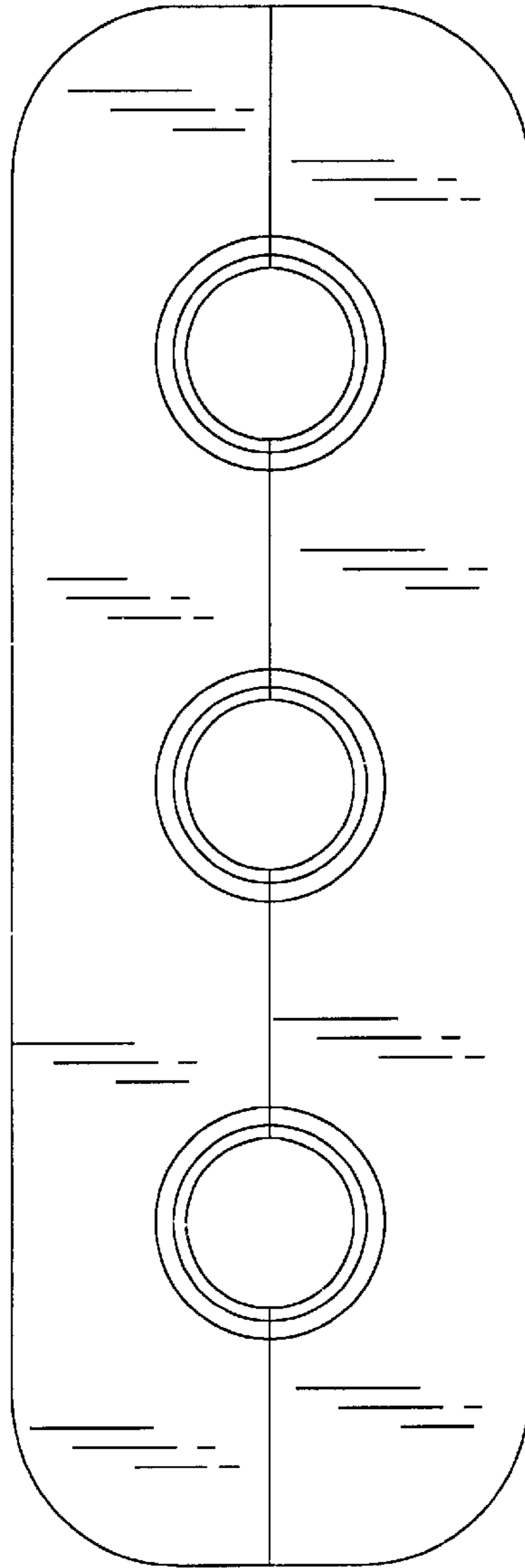
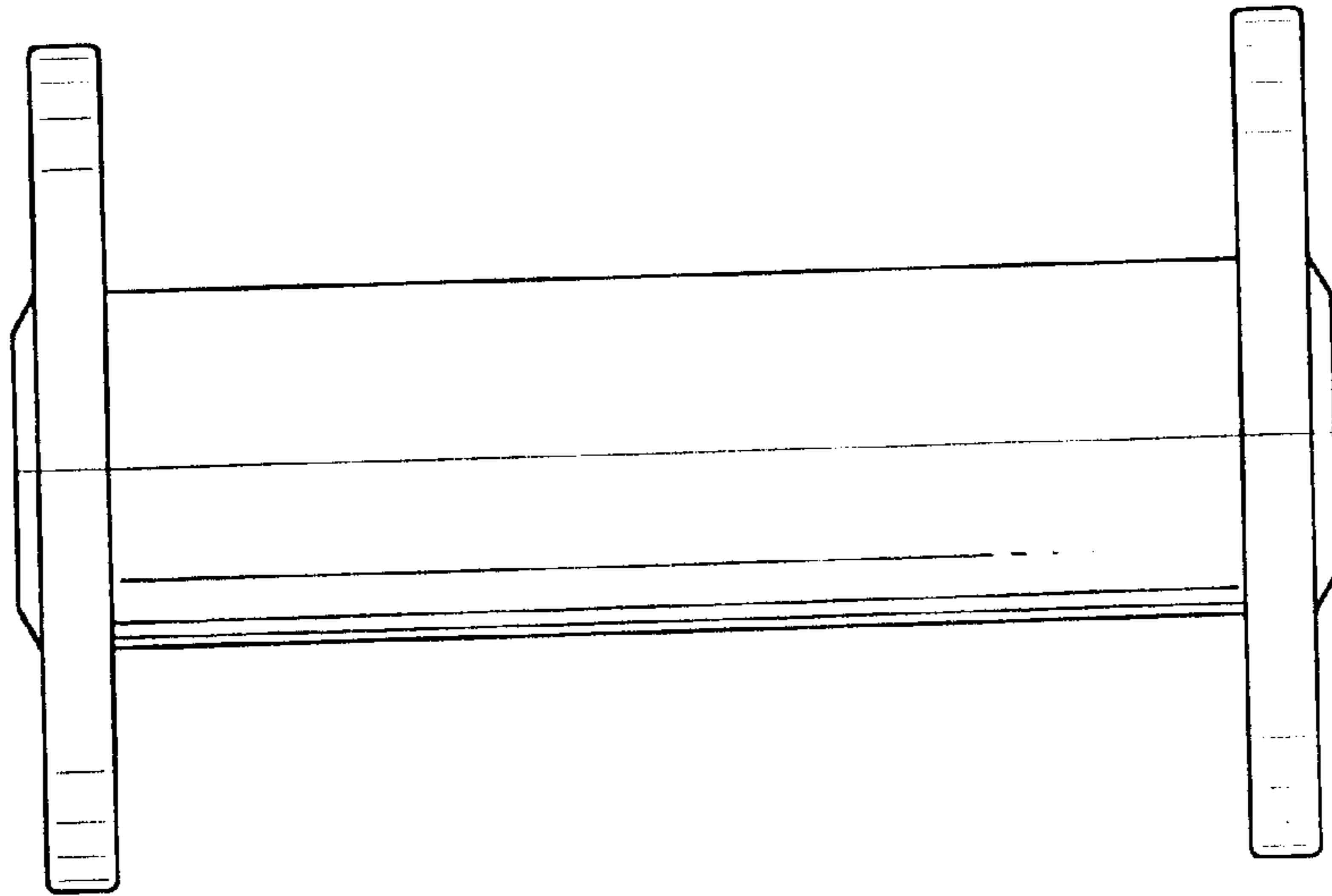
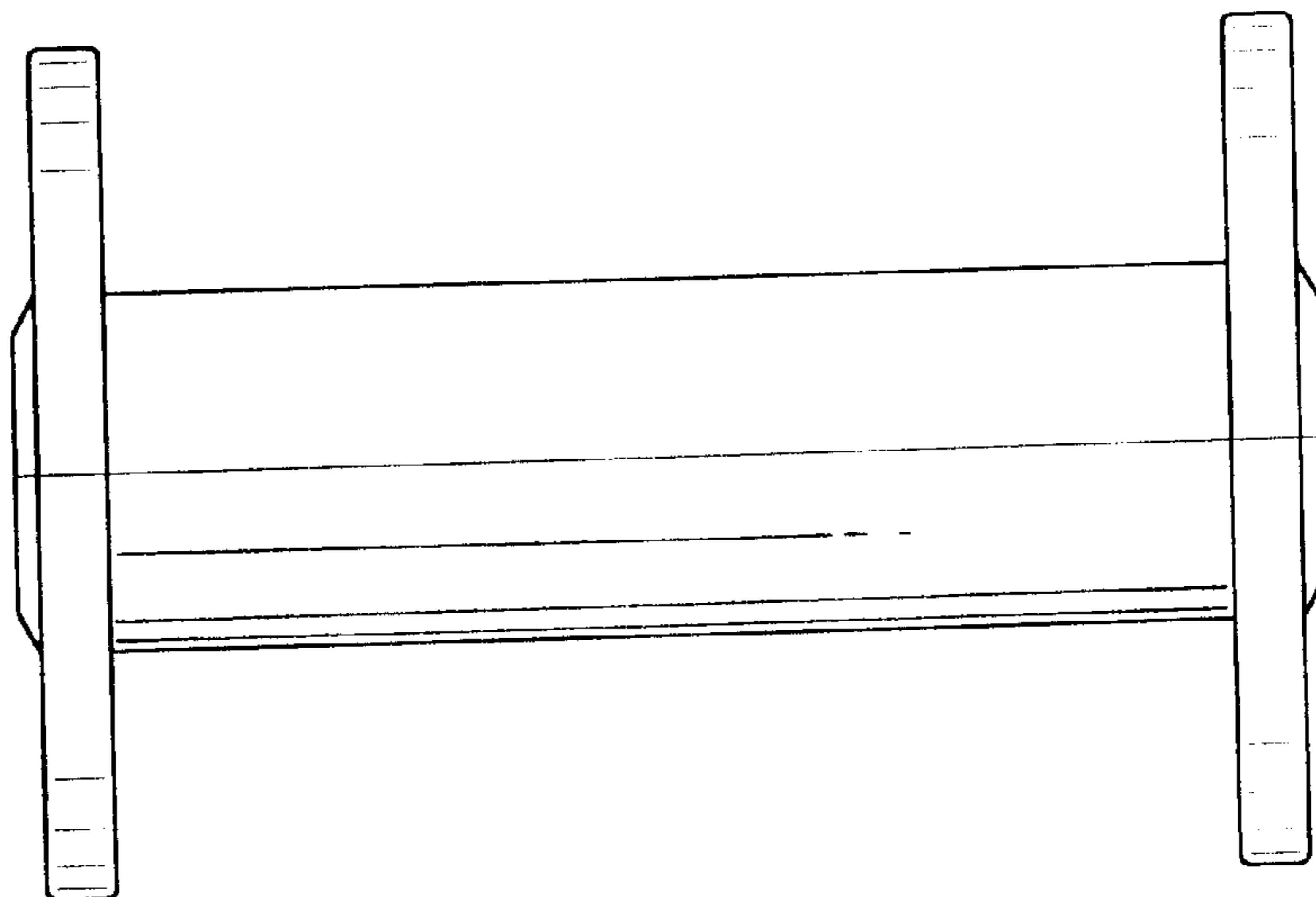


FIG. 3



*FIG. 4*



*FIG. 5*

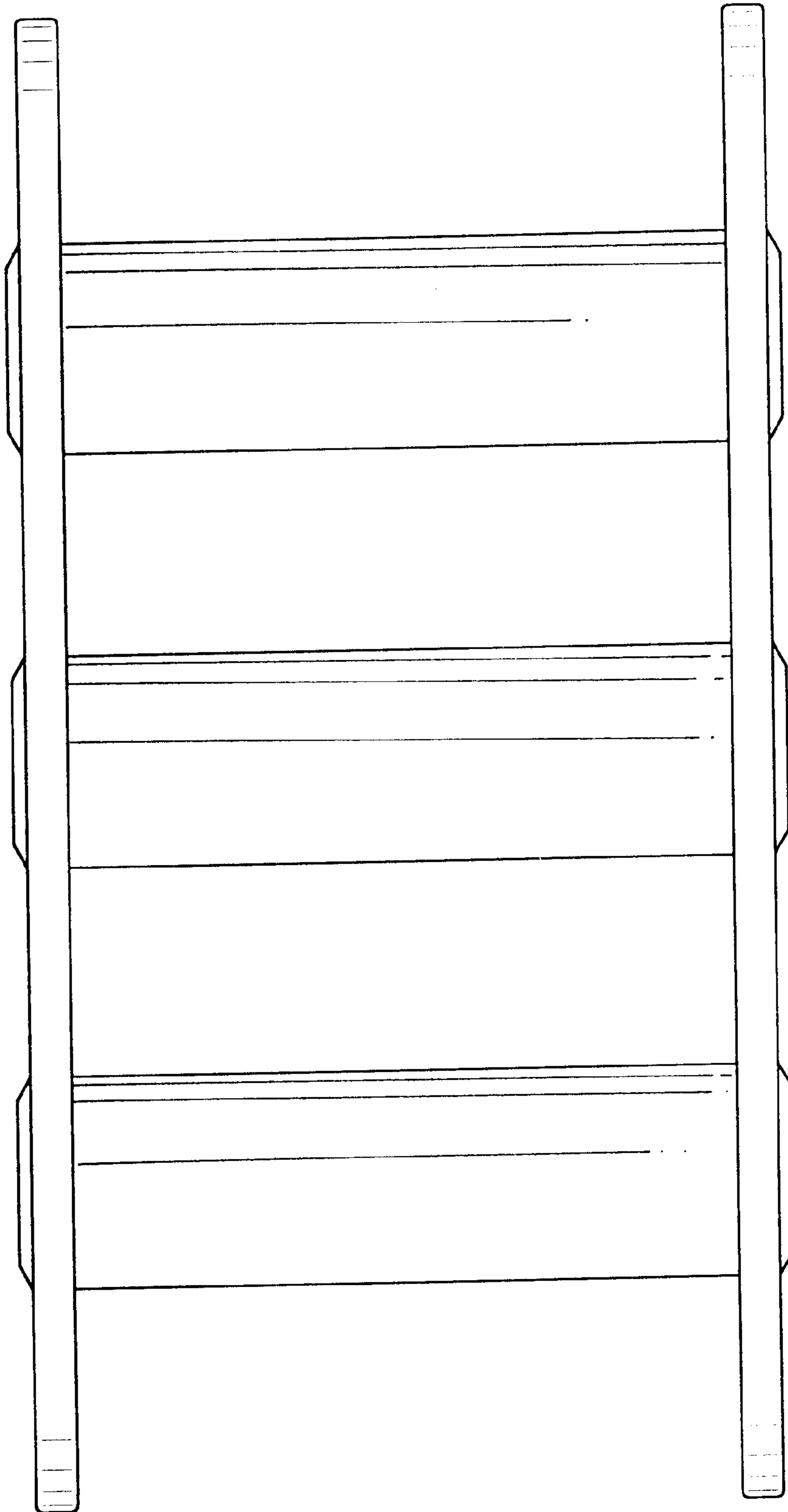


FIG. 6

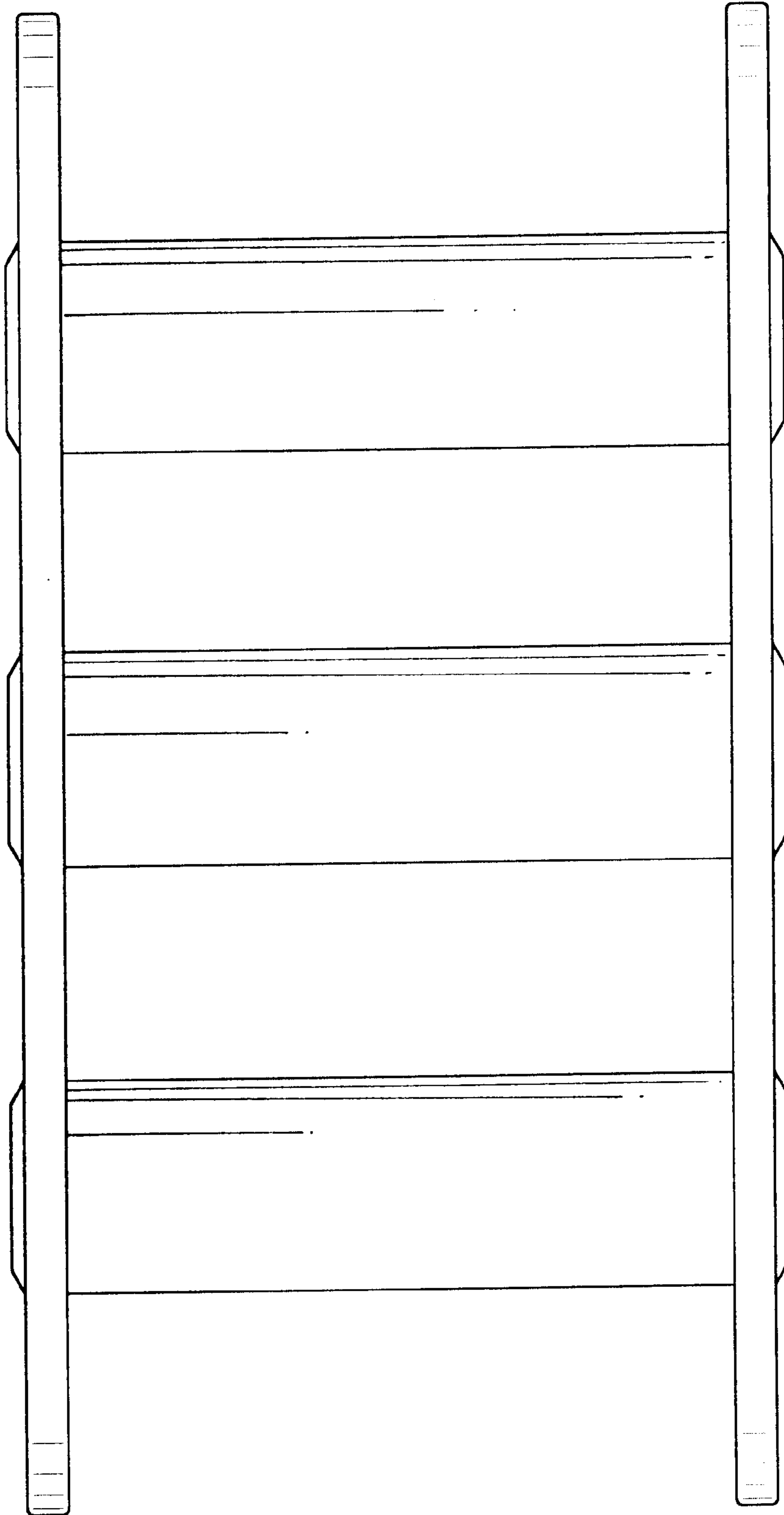


FIG. 7

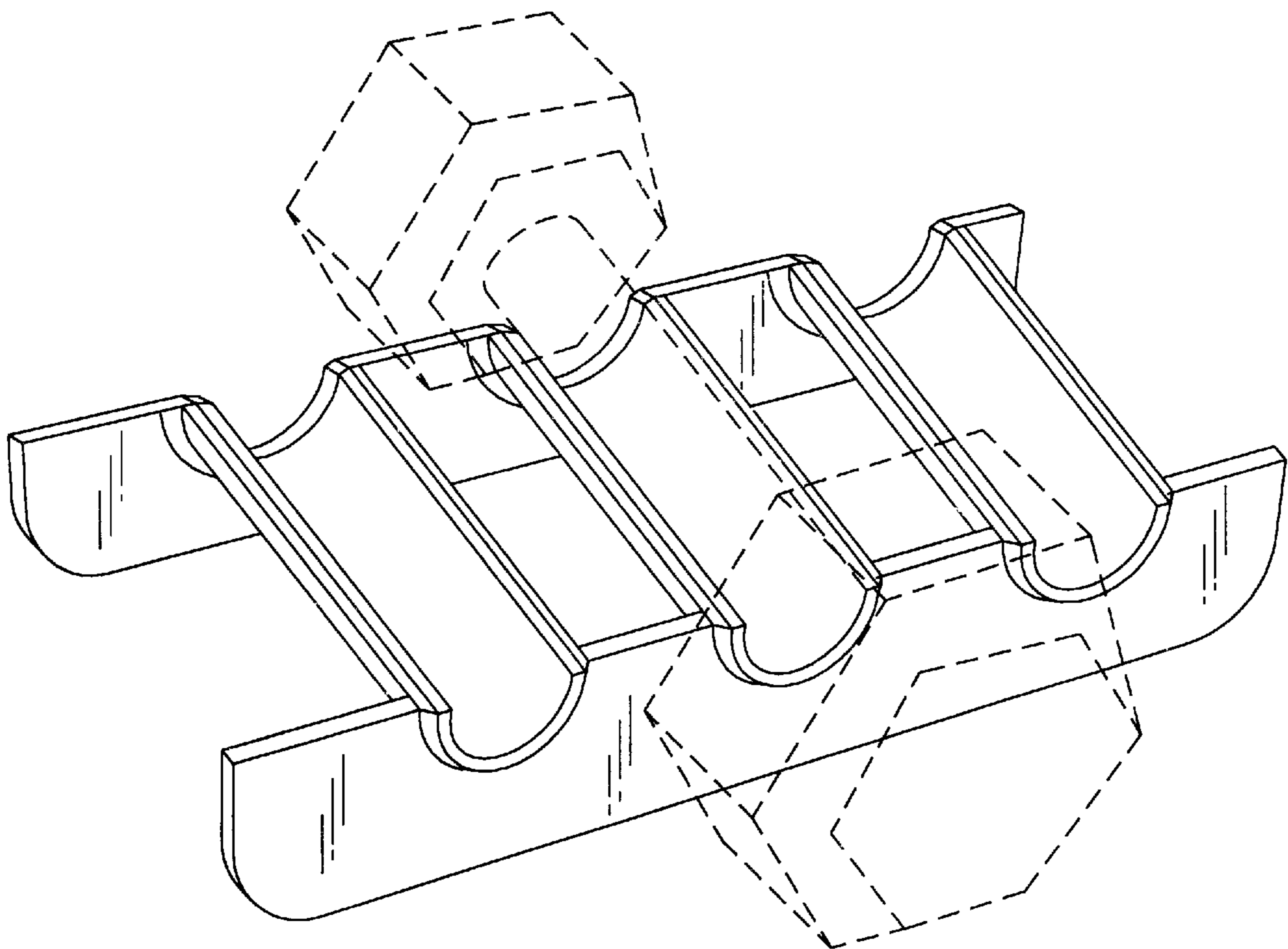
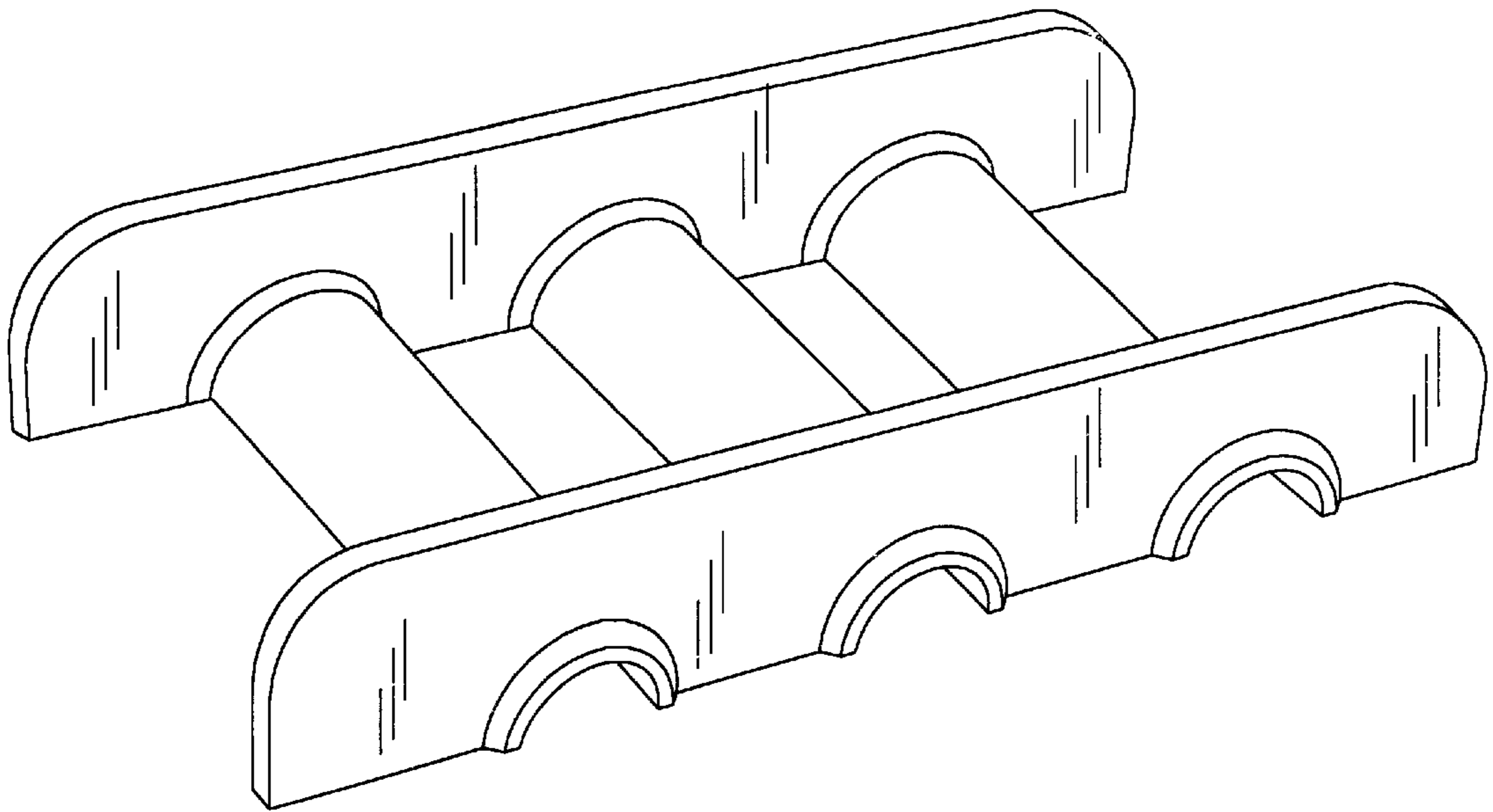


FIG. 8