



US00D474815S

(12) **United States Design Patent**
Chen

(10) **Patent No.:** **US D474,815 S**

(45) **Date of Patent:** **** May 20, 2003**

(54) **SCOOTER FRAME**

(75) **Inventor:** **Ting-Hsing Chen**, Tainan Hsien (TW)

(73) **Assignee:** **Far Great Plastics Industrial Co., Ltd.**, Tainan Hsien (TW)

(**) **Term:** **14 Years**

(21) **Appl. No.:** **29/163,705**

(22) **Filed:** **Jul. 11, 2002**

(51) **LOC (7) Cl.** **21-01**

(52) **U.S. Cl.** **D21/423; D12/111**

(58) **Field of Search** **D12/110-112, D12/117; D21/423; 280/87.021, 87.041, 229, 274-278, 281.1, 282, 283, 287, 288, 288.1-288.3**

(56) **References Cited**

U.S. PATENT DOCUMENTS

D420,942 S * 2/2000 Chen D12/111

D427,111 S * 6/2000 Chen D12/111
D444,184 S * 6/2001 Kettler D21/423

* cited by examiner

Primary Examiner—Alan P. Douglas

Assistant Examiner—Linda Brooks

(74) *Attorney, Agent, or Firm*—Rosenberg, Klein & Lee

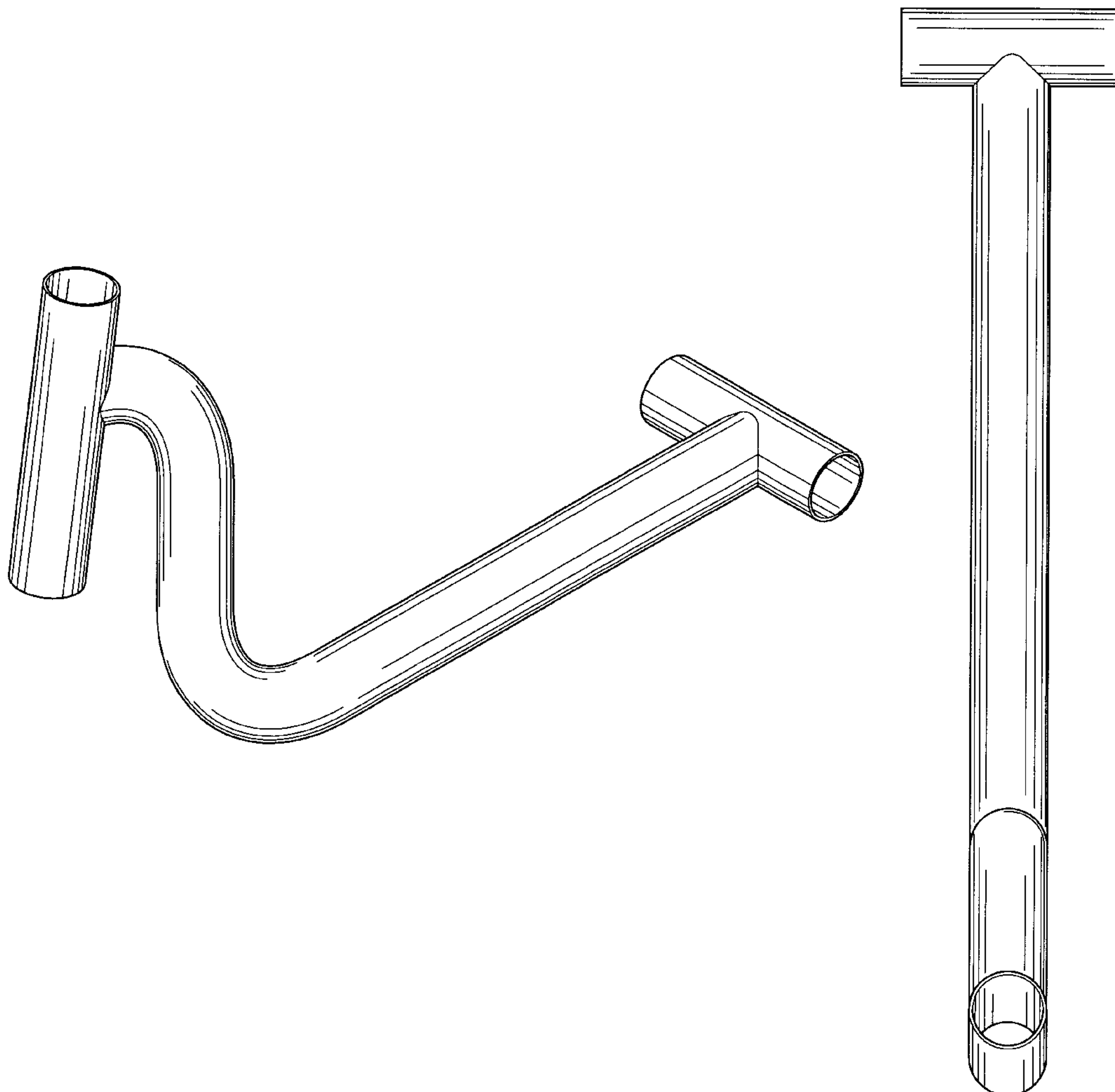
(57) **CLAIM**

The ornamental design for a scooter frame, as shown and described.

DESCRIPTION

FIG. 1 is a perspective view of a scooter frame showing my present design;
FIG. 2 is a front view thereof;
FIG. 3 is a rear view thereof;
FIG. 4 is a left view thereof;
FIG. 5 is a right view thereof;
FIG. 6 is a top plan view thereof; and,
FIG. 7 is a bottom plan view thereof.

1 Claim, 5 Drawing Sheets



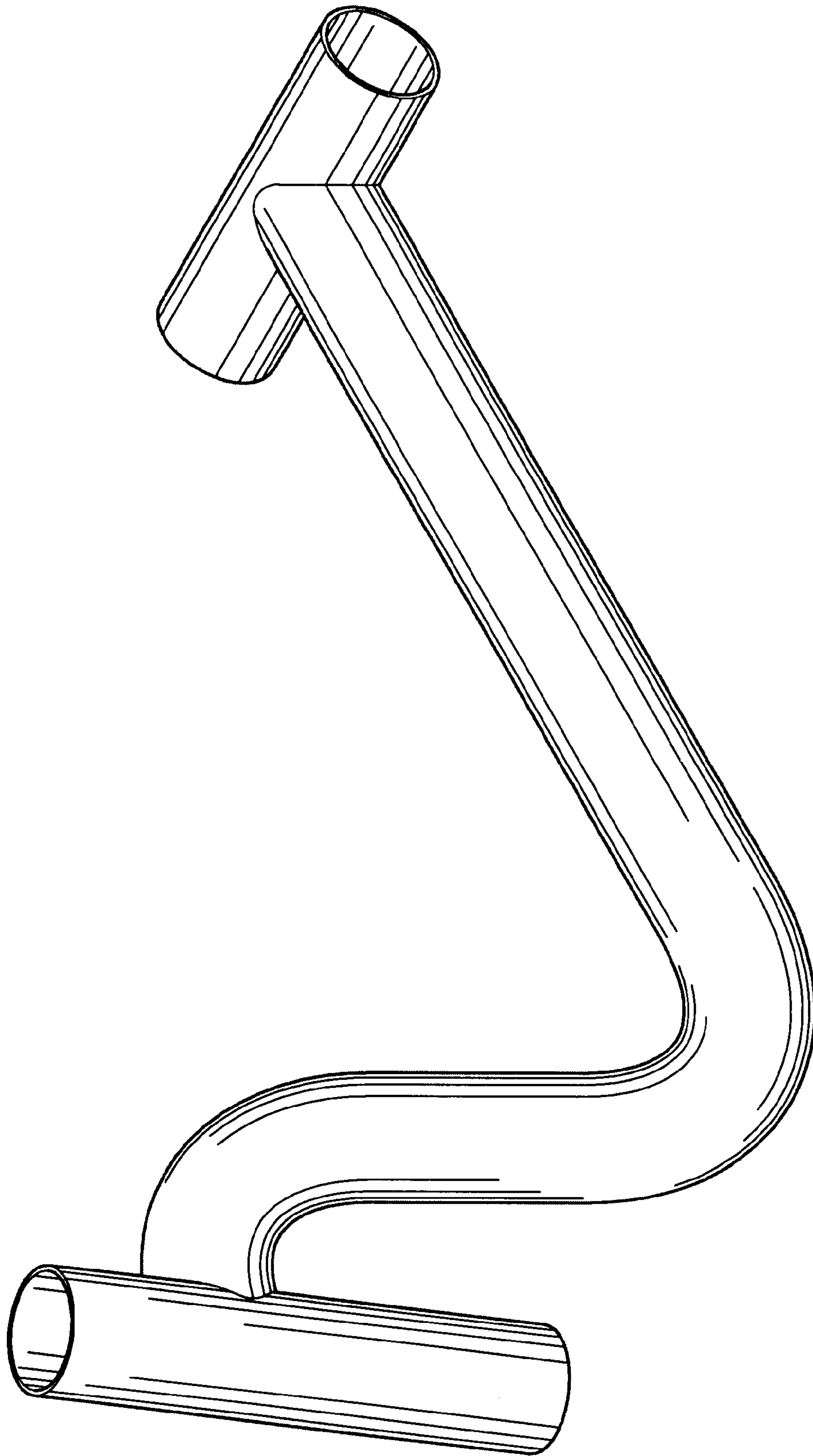


FIG. 1

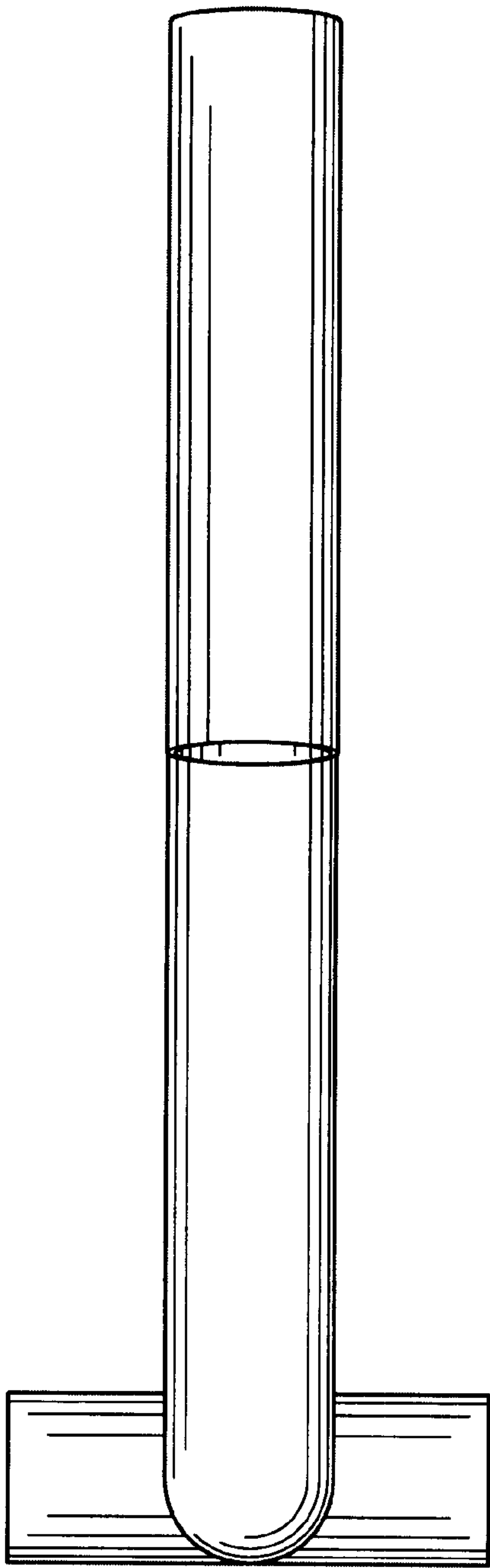


FIG. 2

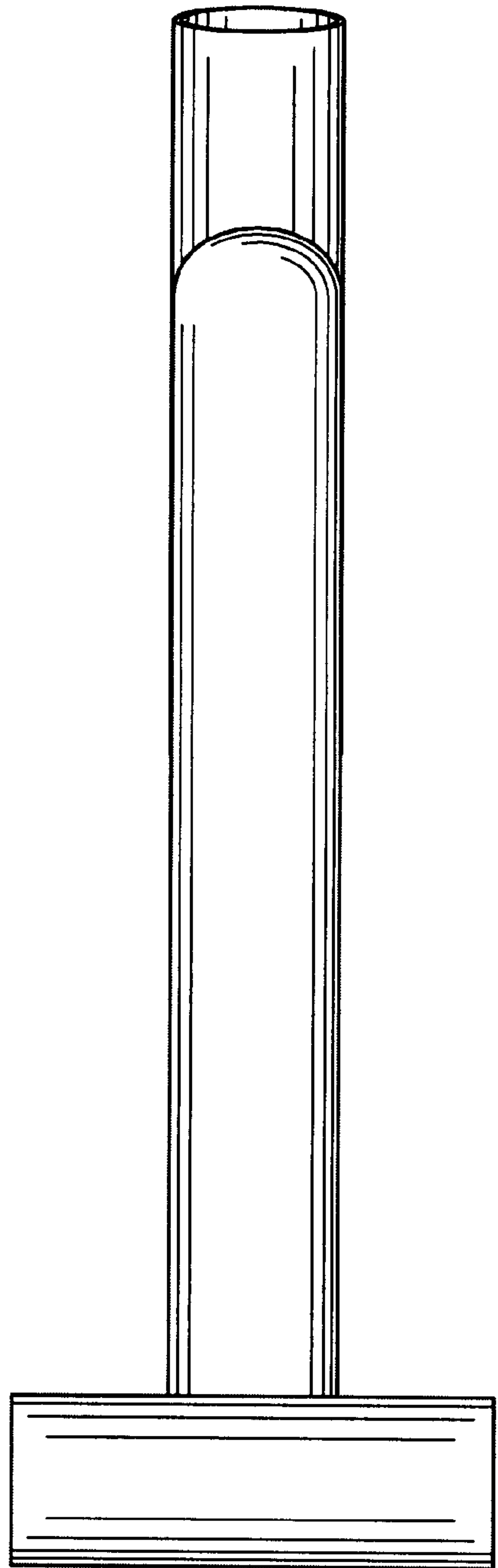


FIG. 3

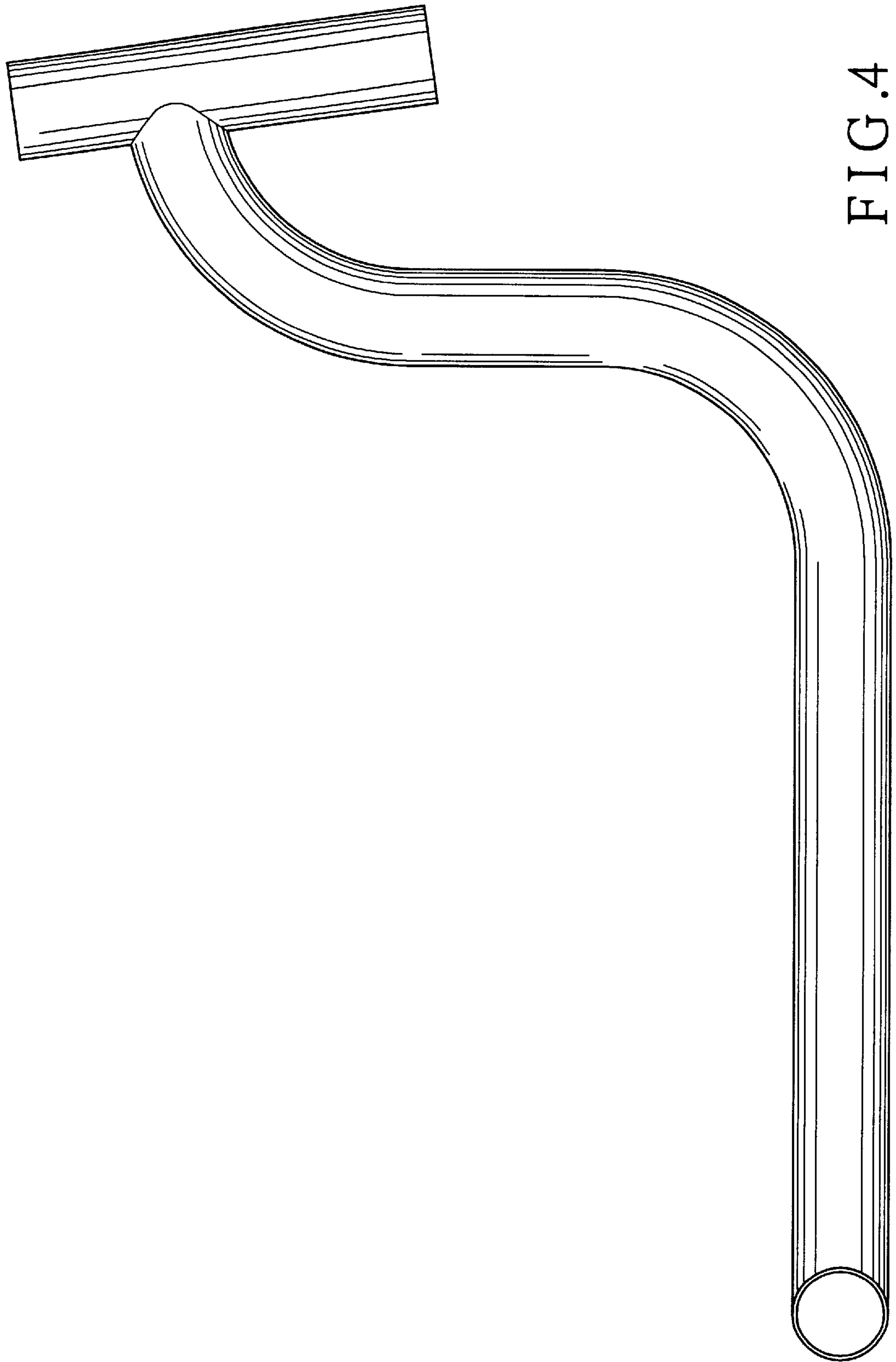


FIG. 4

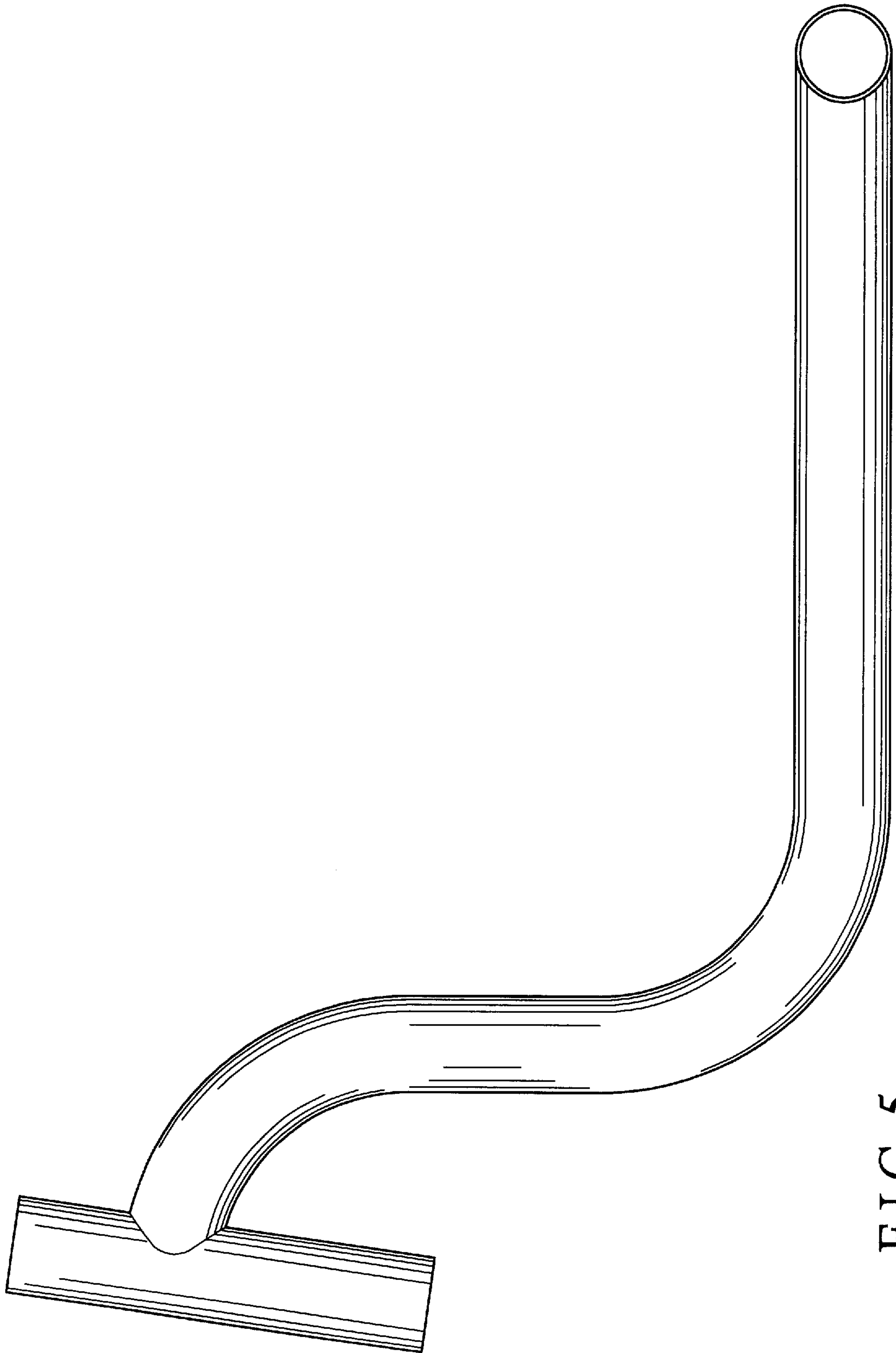


FIG. 5

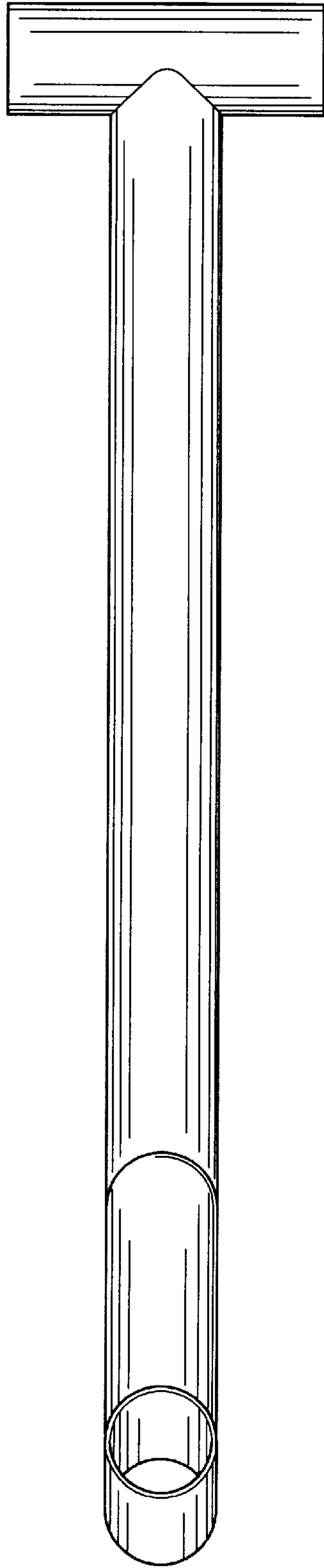


FIG. 6

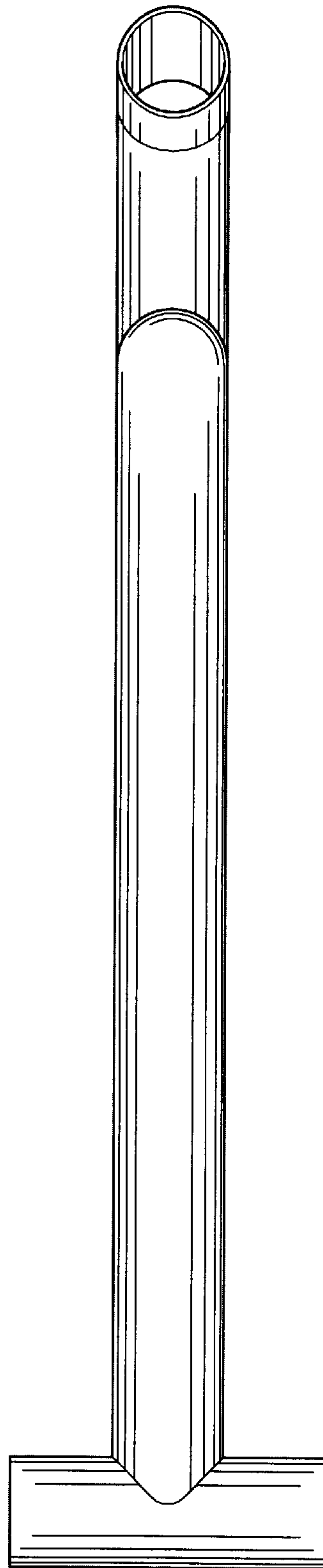


FIG. 7