



US00D474811S

(12) **United States Design Patent**
Brown, Sr.

(10) **Patent No.:** **US D474,811 S**

(45) **Date of Patent:** **** May 20, 2003**

(54) **COSMETOLOGY DESIGN POLE WITH A STAR**

(76) **Inventor:** **Oscar Brown, Sr.**, 5689 Lincoln Dr., Wayne, MI (US) 48184

(**) **Term:** **14 Years**

(21) **Appl. No.:** **29/154,664**

(22) **Filed:** **Jan. 26, 2002**

(51) **LOC (7) Cl.** **20-03**

(52) **U.S. Cl.** **D20/16**

(58) **Field of Search** D20/10, 16, 17, D20/36, 39, 41, 42, 99; 40/414, 430, 436, 501, 502, 584, 605, 606, 607, 612, 618, 621

(56) **References Cited**

U.S. PATENT DOCUMENTS

1,061,520	A	*	5/1913	Bowden	40/473
1,412,885	A	*	4/1922	Motter	40/501
D64,661	S	*	5/1924	Dupar	D20/20
1,637,988	A	*	8/1927	Egan	40/473

D78,252	S	*	4/1929	Albanese	D20/16
D79,420	S	*	9/1929	Edlis	D20/16
D84,261	S	*	5/1931	Ryan	D20/36
D153,046	S	*	3/1949	Struhl	D6/453
5,980,352	A	*	11/1999	Rigberg	446/73
6,447,137	B1	*	9/2002	Long	362/96

* cited by examiner

Primary Examiner—Robert M. Spear

(74) *Attorney, Agent, or Firm*—Chadbourne & Parke, LLP

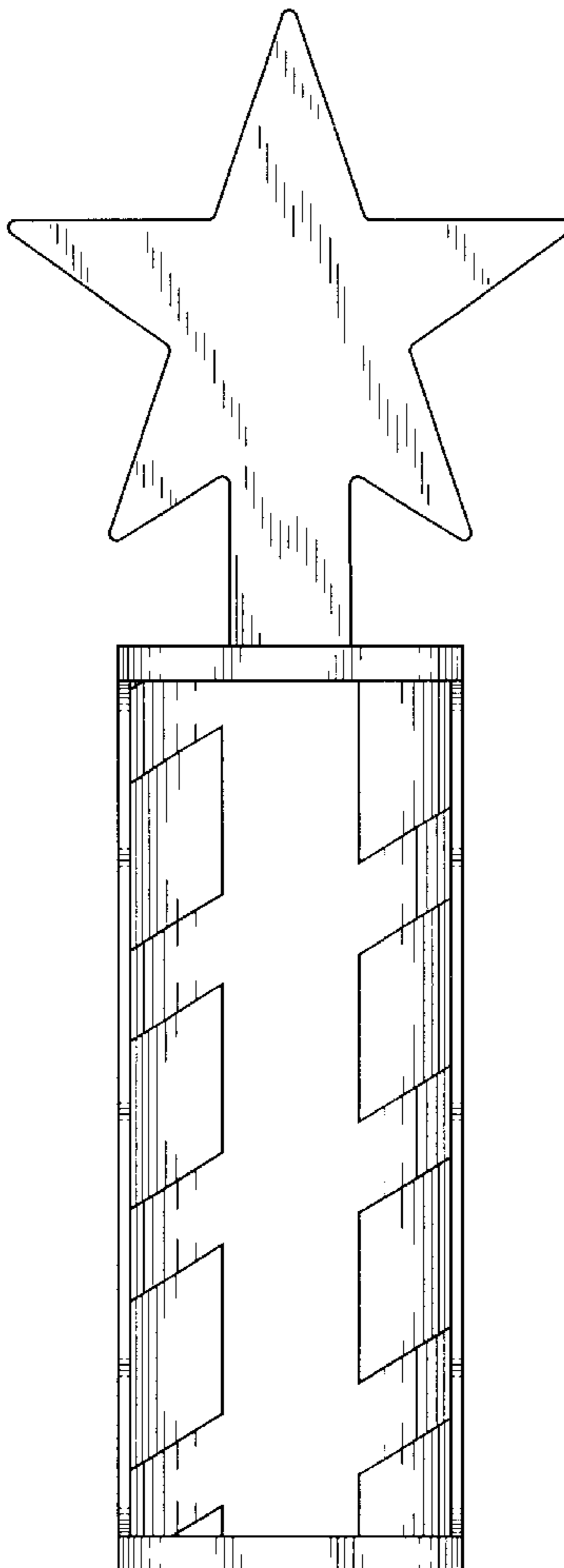
(57) **CLAIM**

The ornamental design for a cosmetology design pole with a star, as shown and described.

DESCRIPTION

FIG. 1 is a front-view thereof;
FIG. 2 is a rear-view thereof;
FIGS. 3 and 4 are side-views thereof, both sides being symmetrical;
FIG. 5 is a top view; and,
FIG. 6 is a bottom view thereof.

1 Claim, 3 Drawing Sheets



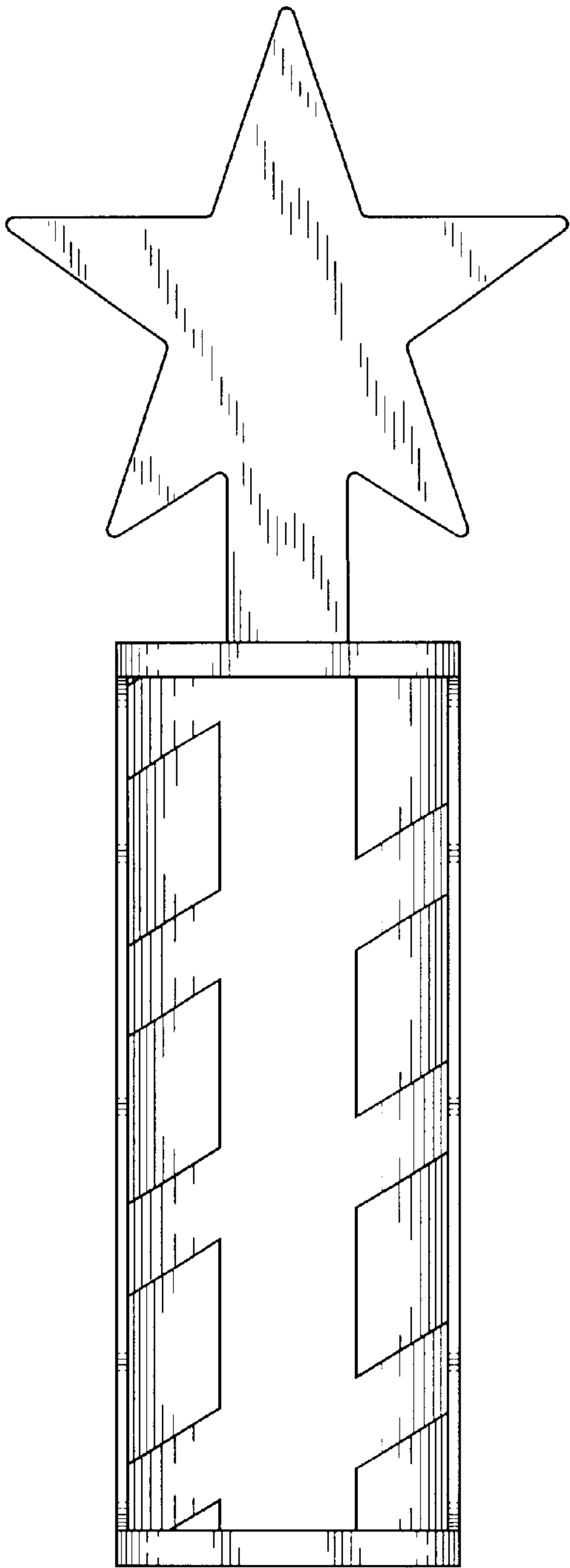


FIG. 1

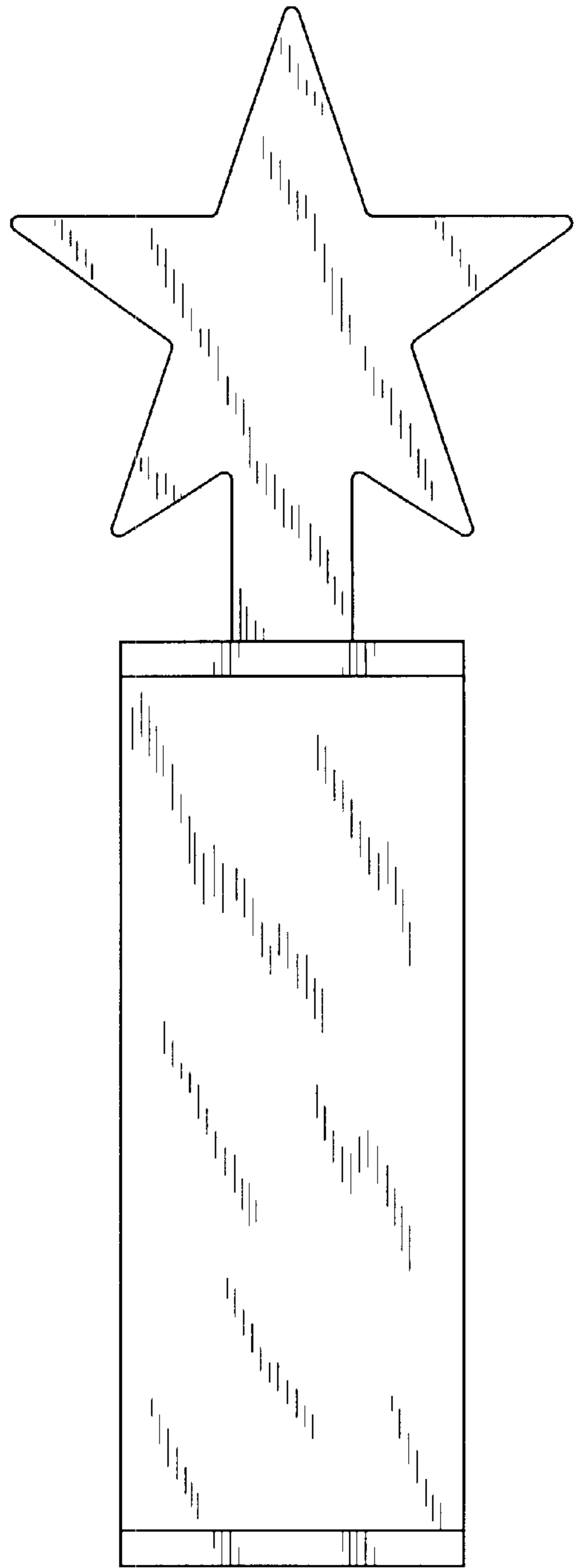


FIG. 2

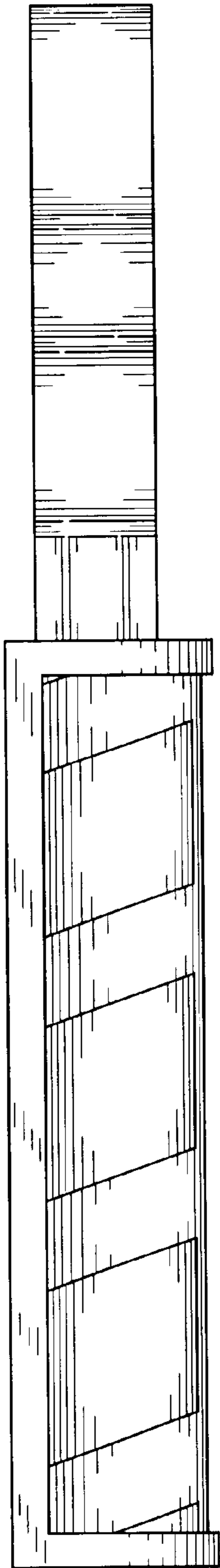


FIG. 3

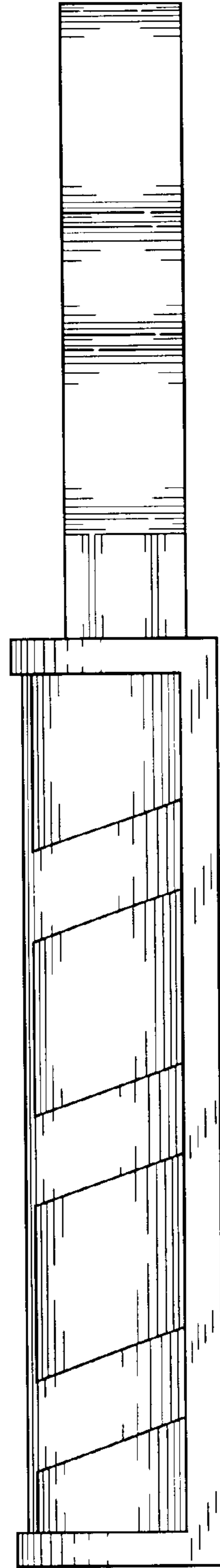


FIG. 4

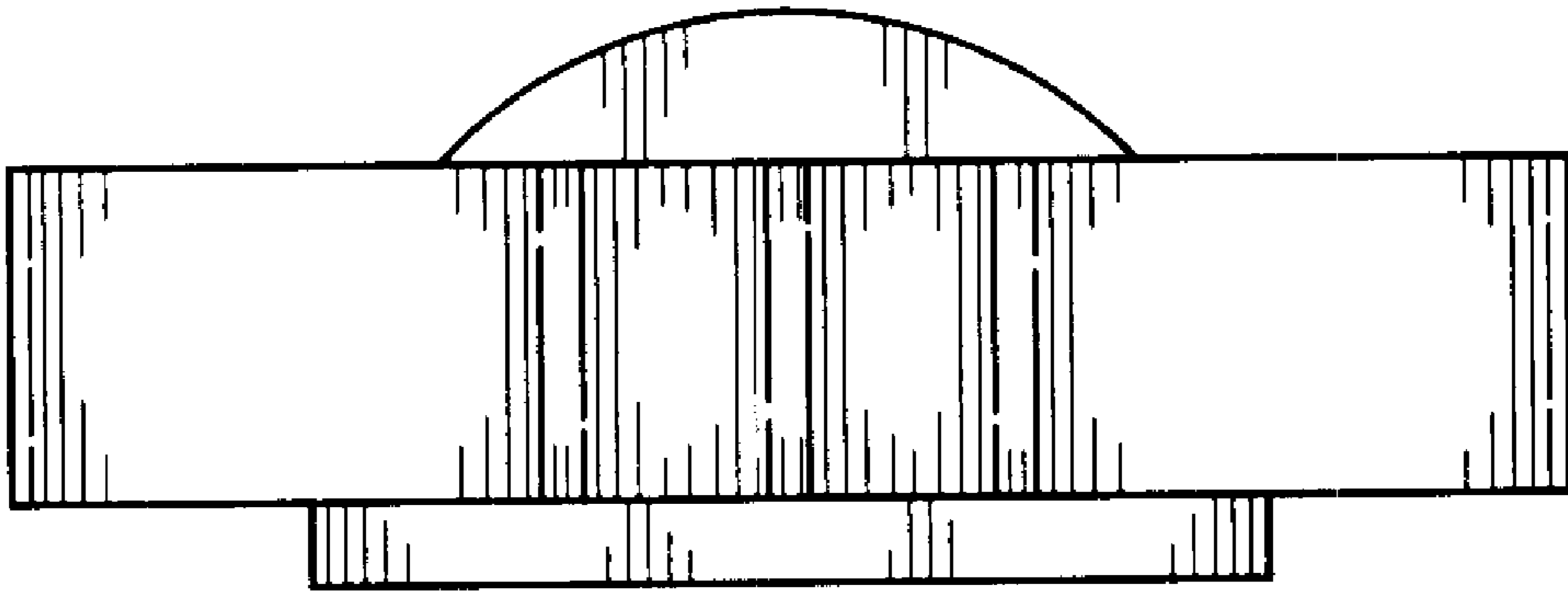


FIG. 5

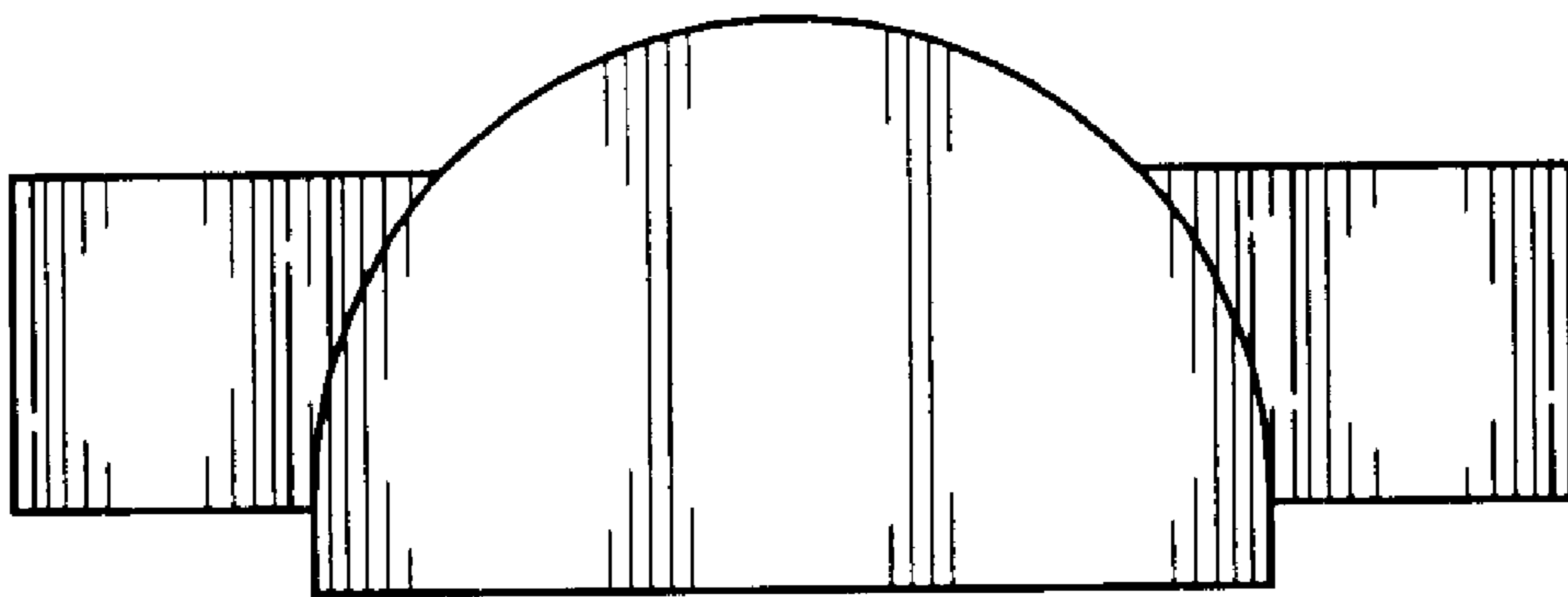


FIG. 6