



US00D474806S

(12) **United States Design Patent**
Yamano et al.

(10) **Patent No.:** **US D474,806 S**

(45) **Date of Patent:** **** May 20, 2003**

(54) **PRINTER**

(75) Inventors: **Hirokazu Yamano**, Nagano-ken (JP);
Nobukazu Furutera, Nagano-ken (JP)

(73) Assignee: **Seiko Epson Corporation**, Tokyo (JP)

(**) Term: **14 Years**

(21) Appl. No.: **29/159,524**

(22) Filed: **Apr. 24, 2002**

(30) **Foreign Application Priority Data**

Oct. 25, 2001 (JP) 2001-031332

(51) **LOC (7) Cl.** **14-02**

(52) **U.S. Cl.** **D18/55**

(58) **Field of Search** D18/36-39, 50,
D18/53-55; 400/613, 613.1-613.4, 691-694,
690.1-690.4, 625; D14/462-470

(56) **References Cited**

U.S. PATENT DOCUMENTS

D400,918 S * 11/1998 Kobayashi et al. D18/55
6,089,772 A * 7/2000 Takemura et al. 400/625
D430,894 S * 9/2000 Inoue D18/54

D435,266 S * 12/2000 Sekine et al. D18/55

D439,608 S * 3/2001 Gasset et al. D18/55

D441,012 S * 4/2001 Kawahara et al. D18/55

D453,352 S * 2/2002 Yamano et al. D18/55

D454,583 S * 3/2002 Whitby et al. D18/50

* cited by examiner

Primary Examiner—Cathy Anne MacCormac

(74) *Attorney, Agent, or Firm*—Sughrue Mion, PLLC

(57) **CLAIM**

The ornamental design for a printer, as shown and described.

DESCRIPTION

FIG. 1 is a perspective view of the top, front and right side of a printer showing our new design;

FIG. 2 is a front elevational view thereof;

FIG. 3 is a rear elevational view thereof;

FIG. 4 is a left side elevational view thereof;

FIG. 5 is a right side elevational view thereof;

FIG. 6 is a top plan view thereof;

FIG. 7 is a bottom plan view thereof; and,

FIG. 8 is a view similar to FIG. 1 with the sheet handling member in the open condition.

1 Claim, 7 Drawing Sheets

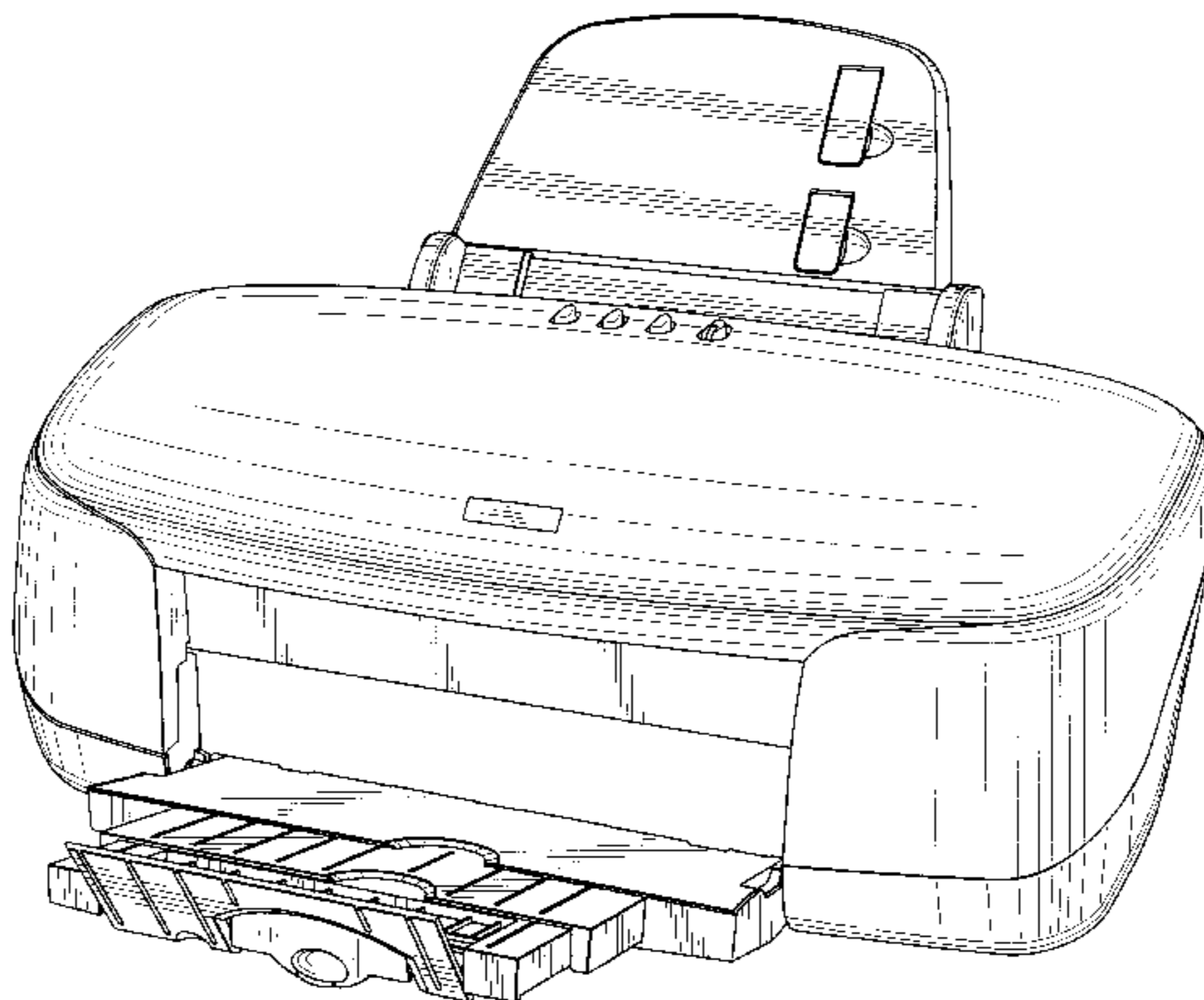
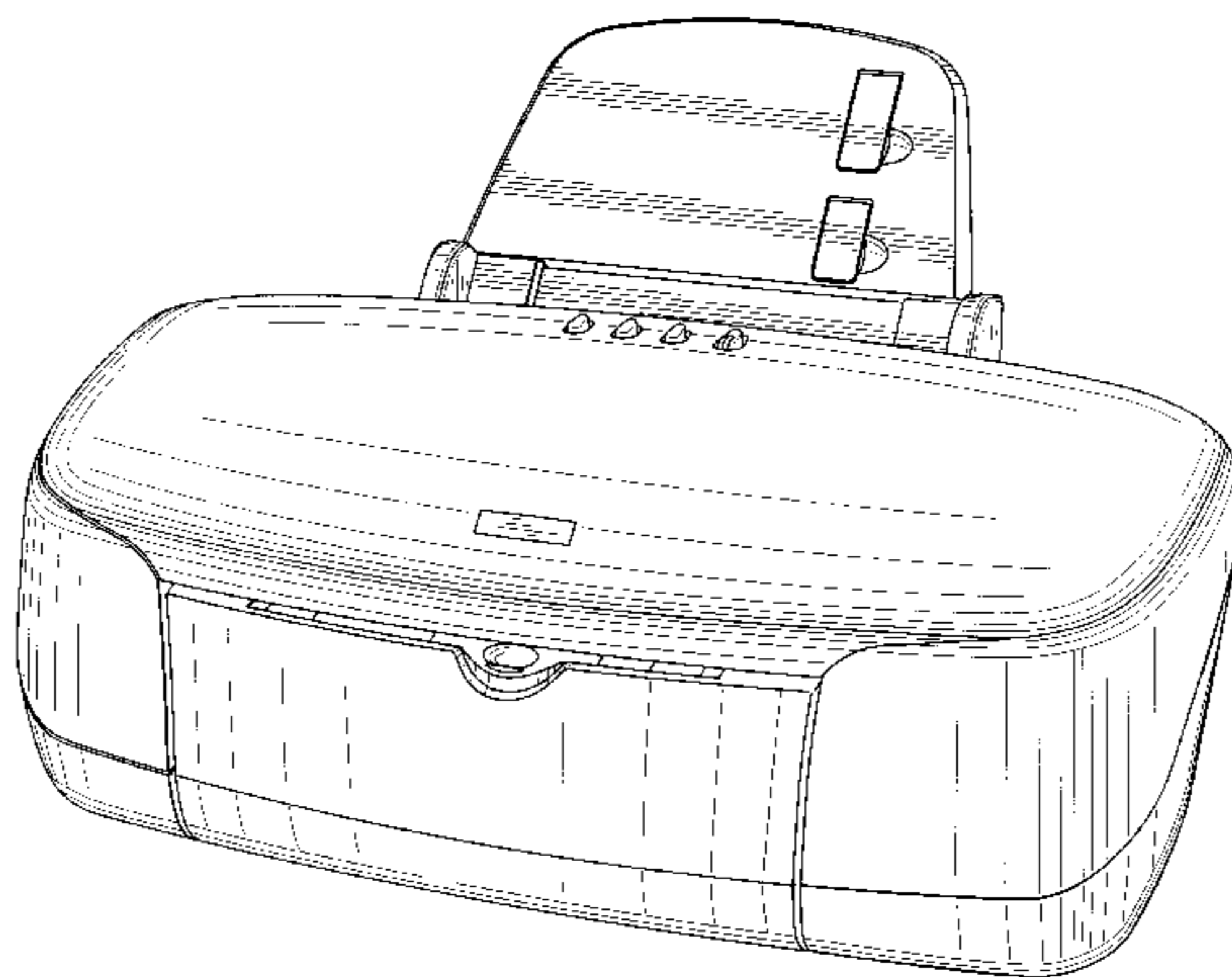


FIG. 1

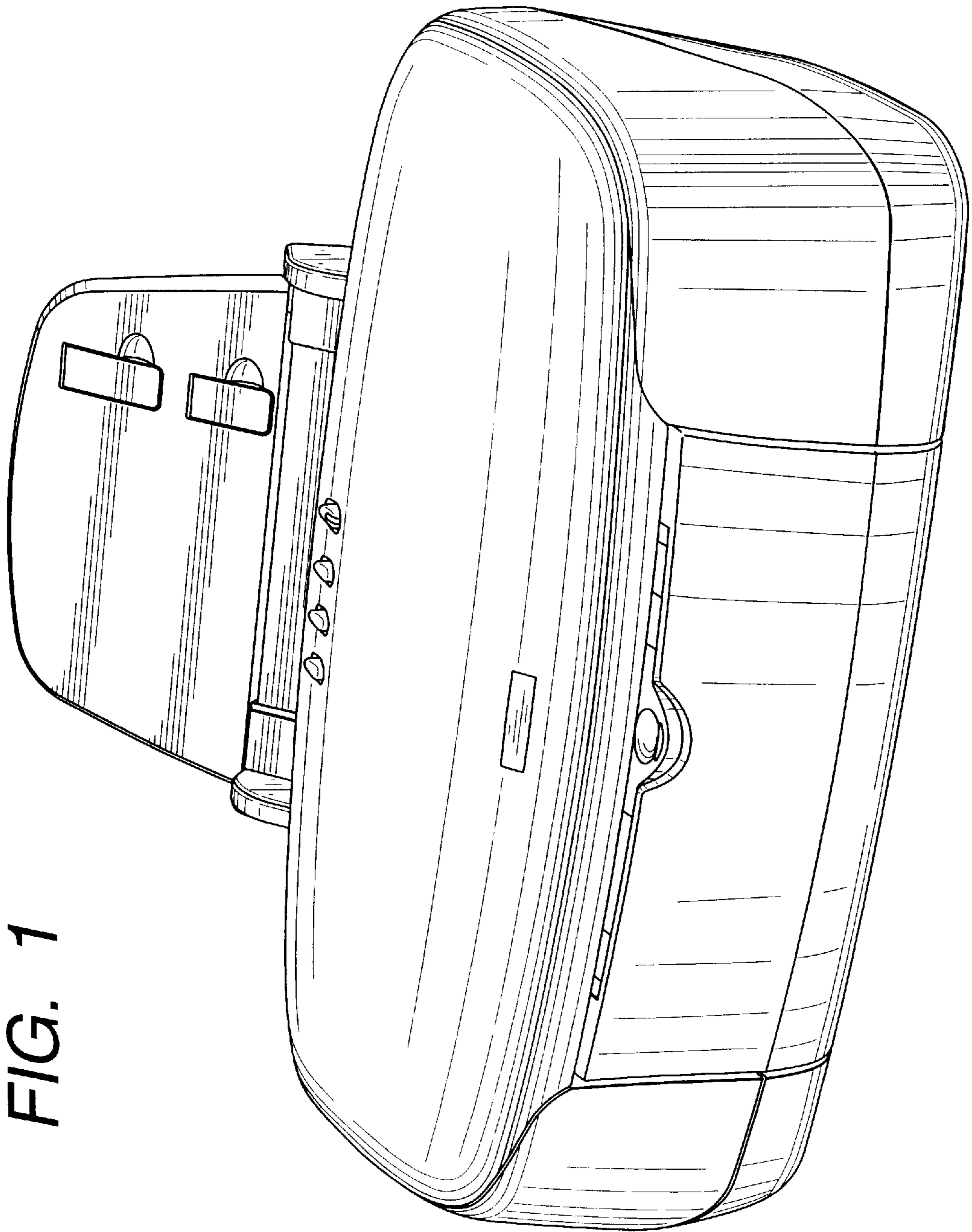


FIG. 2

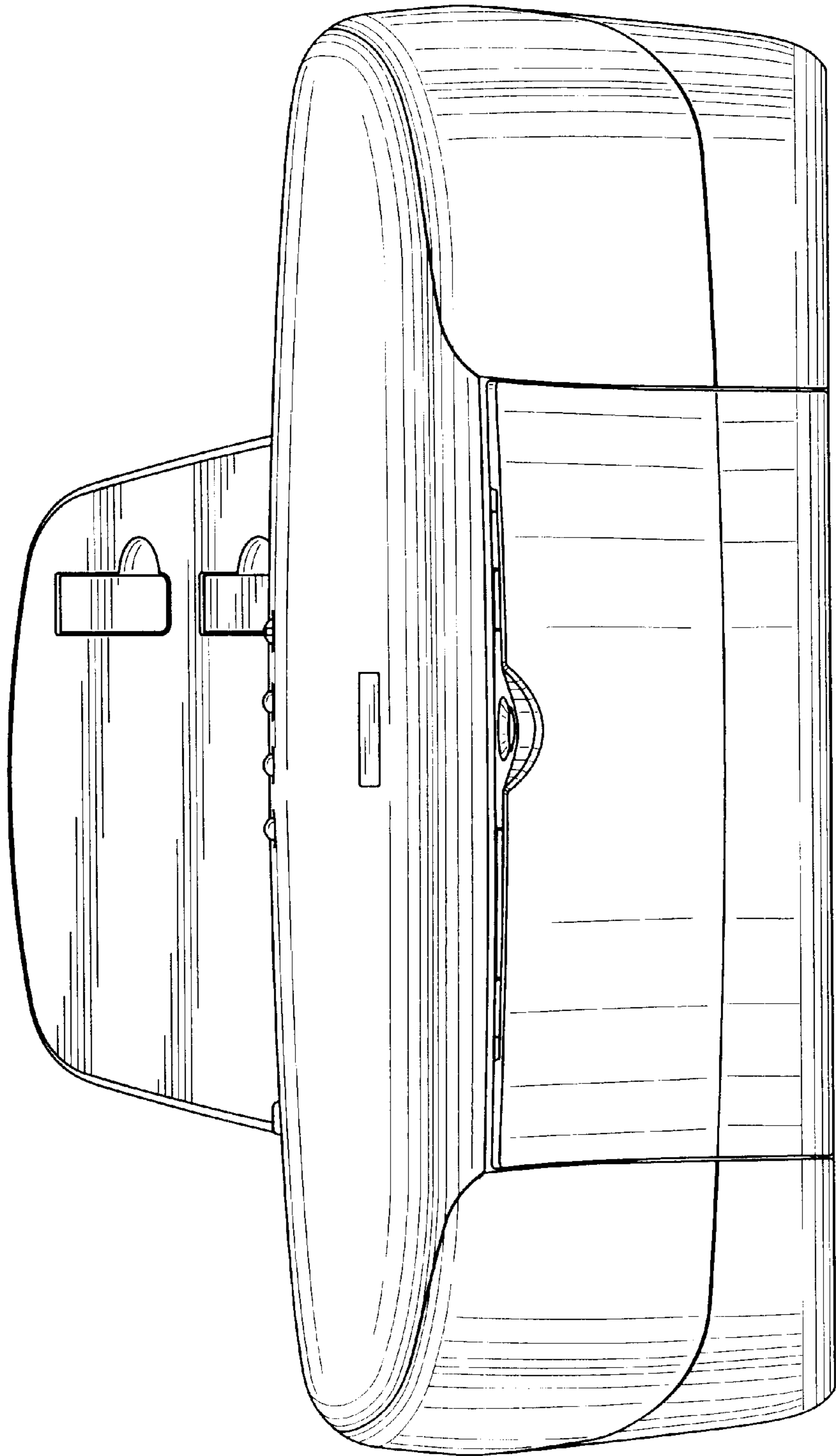


FIG. 3

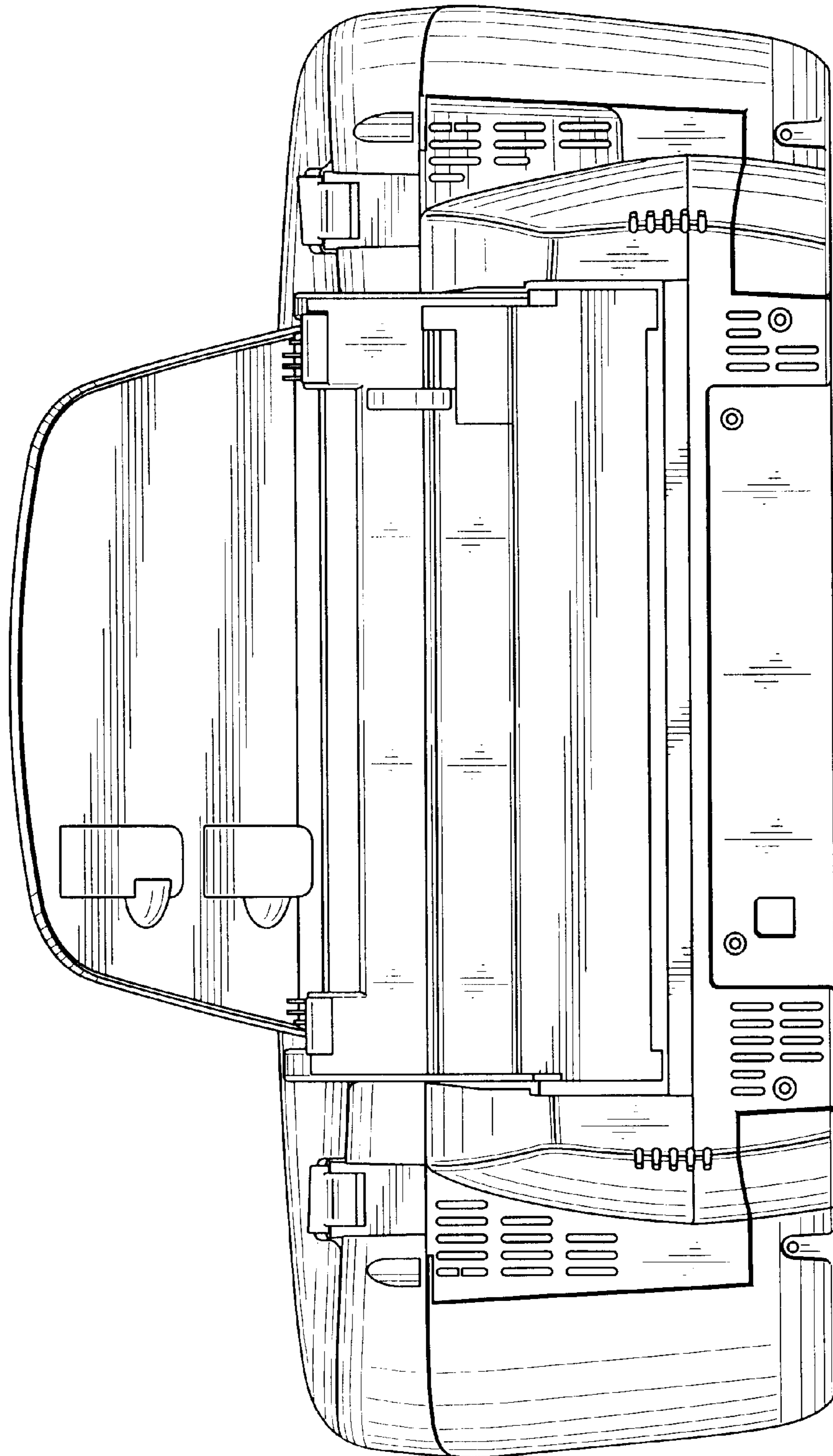


FIG. 4

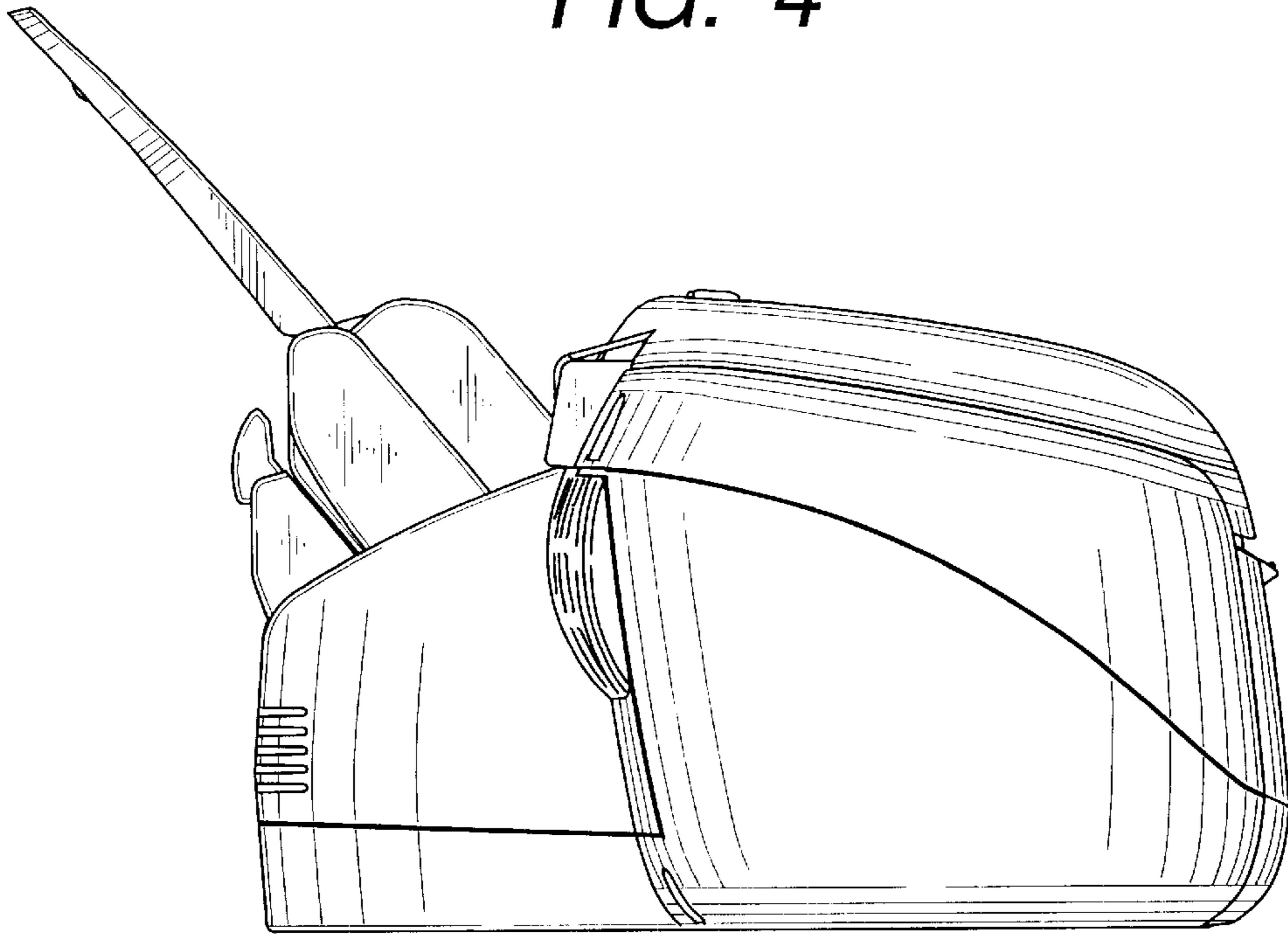


FIG. 5

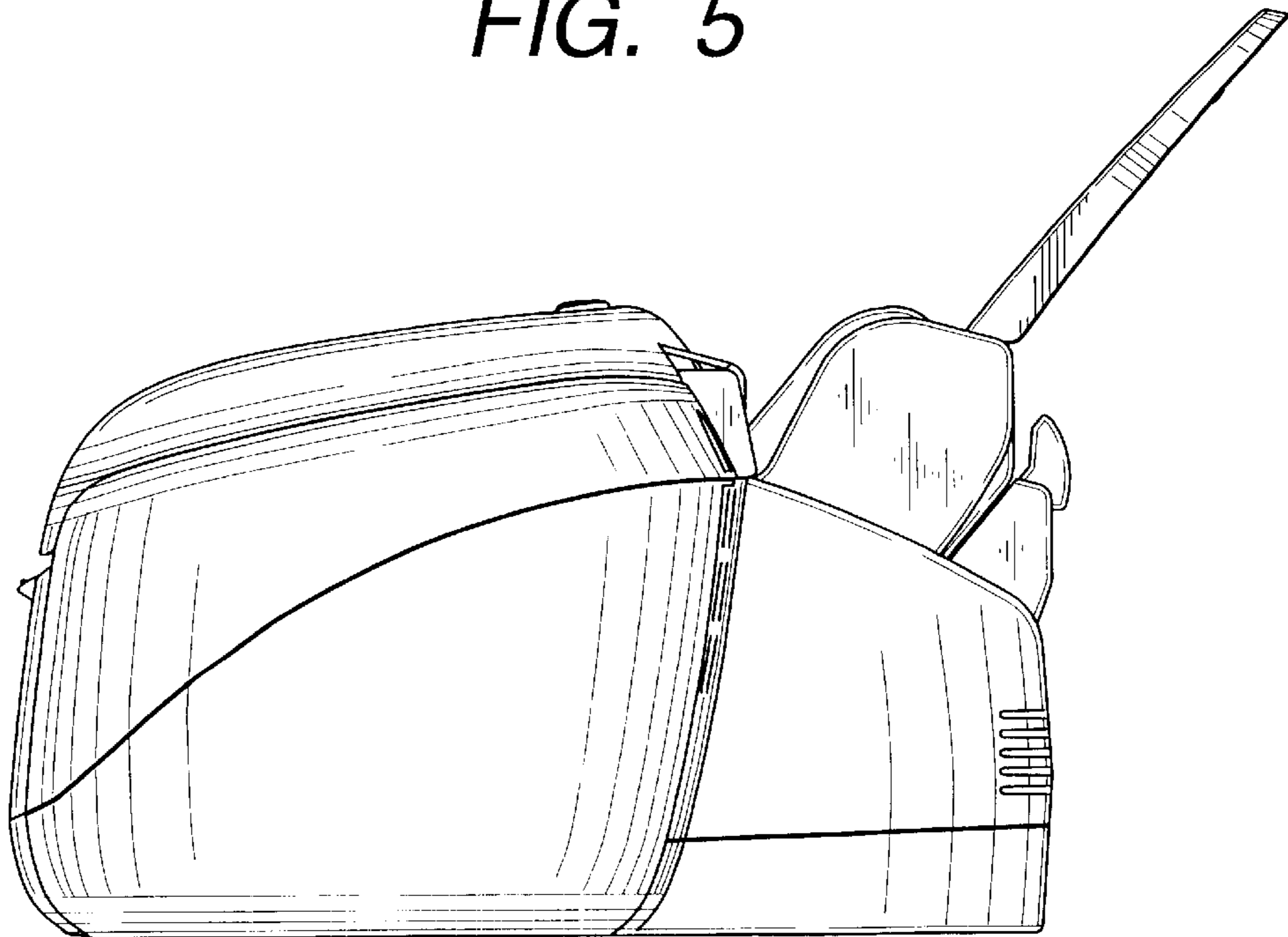


FIG. 6

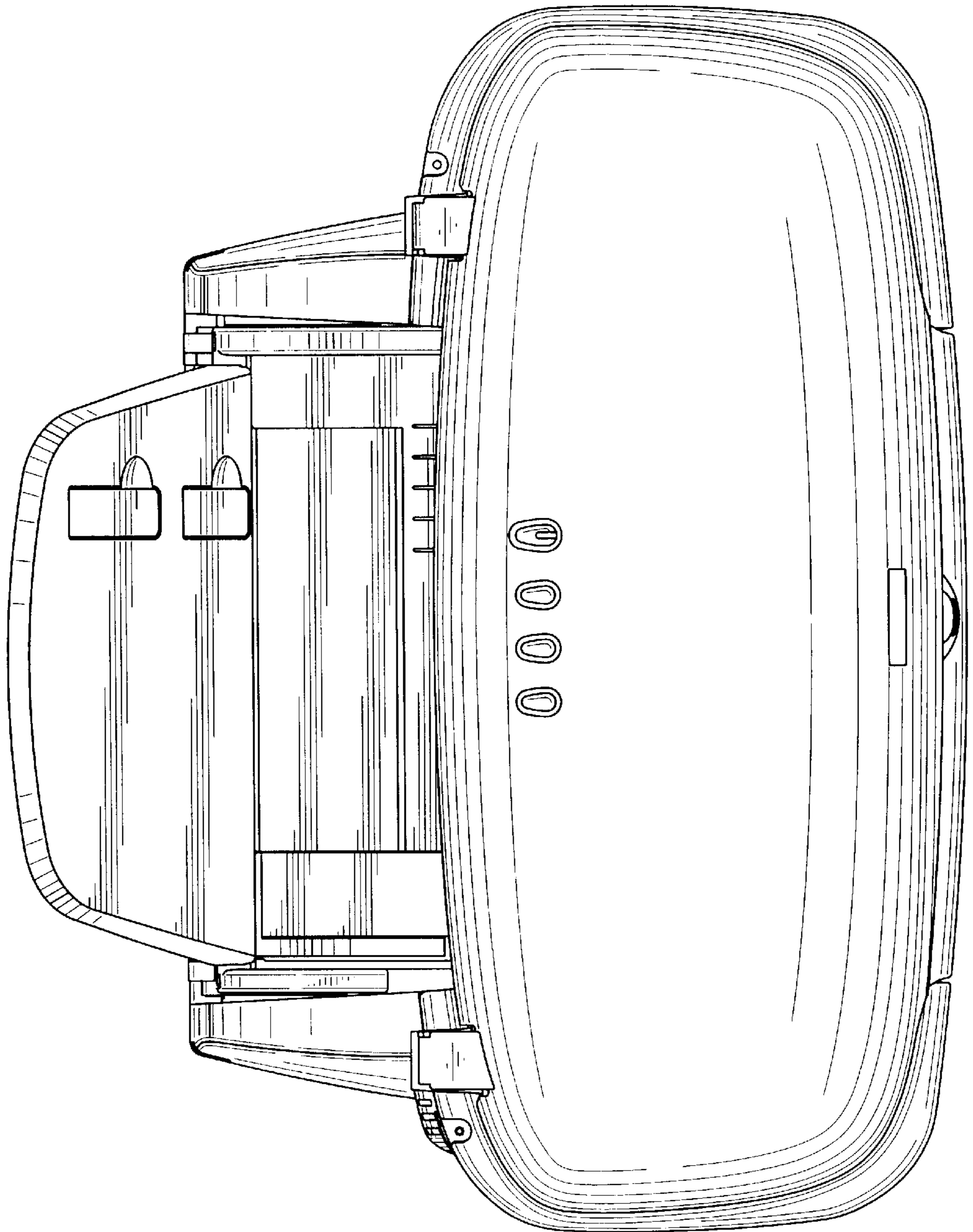
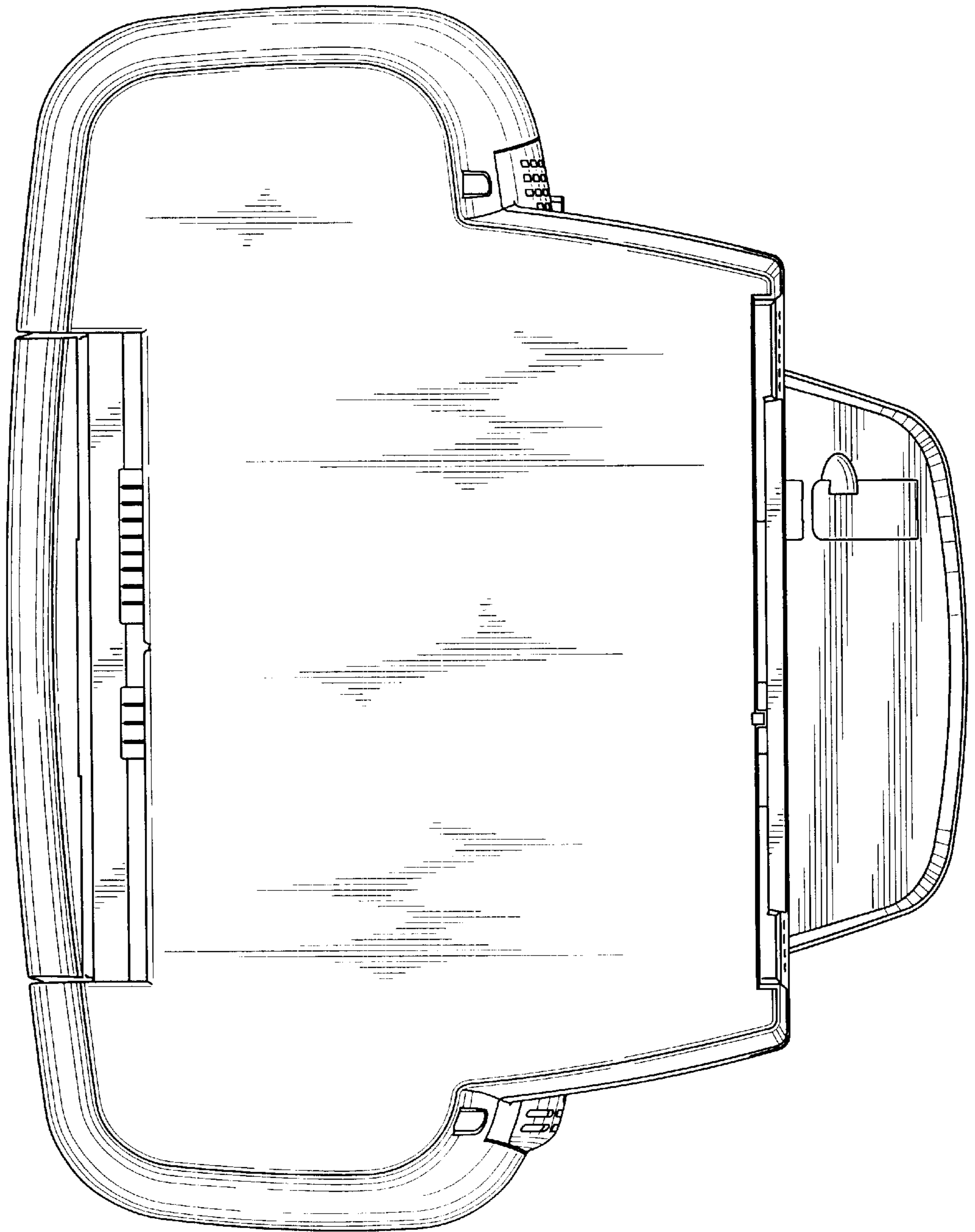


FIG. 7



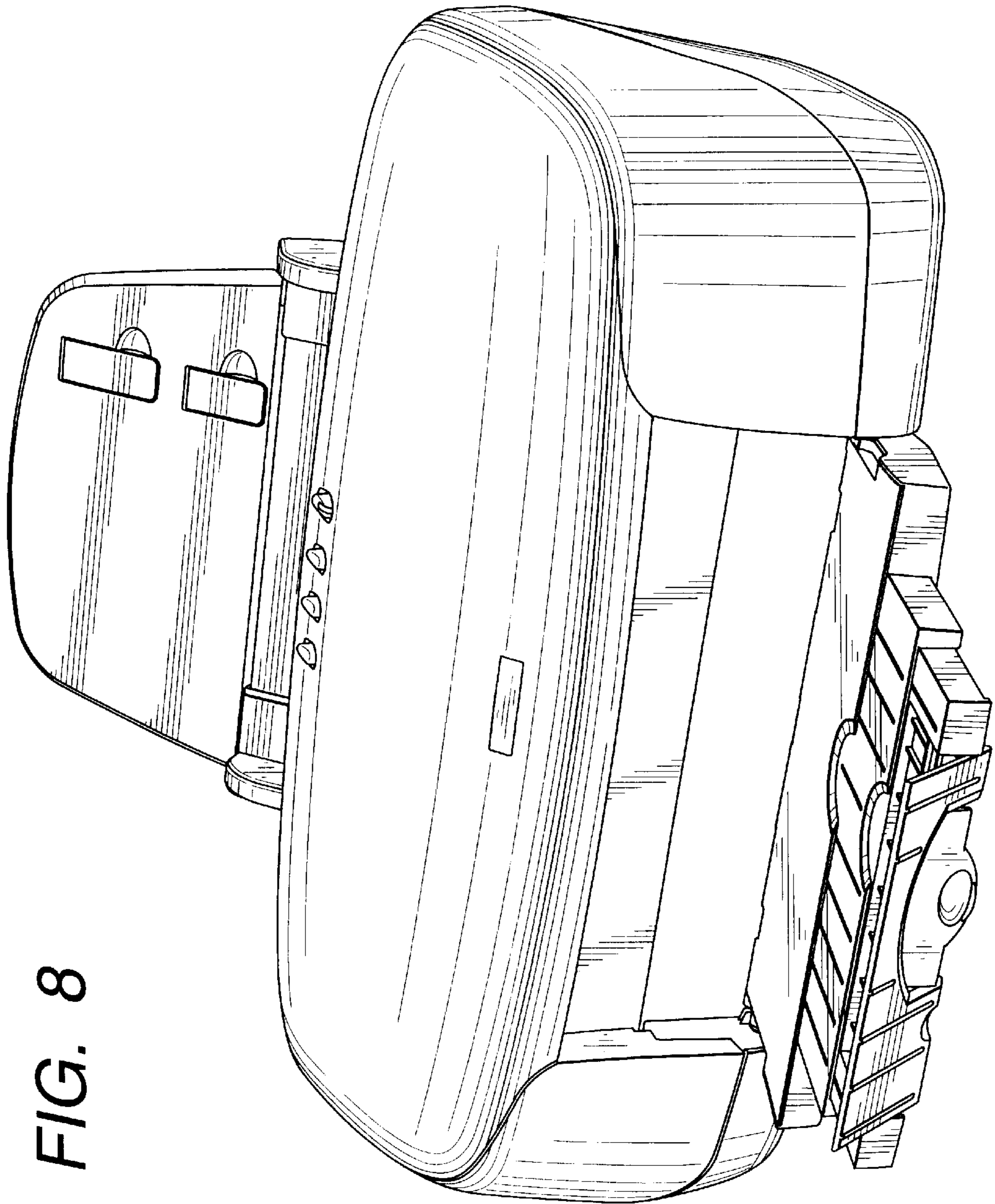


FIG. 8