



US00D474804S

(12) **United States Design Patent**  
**Kubota et al.**

(10) **Patent No.:** **US D474,804 S**

(45) **Date of Patent:** **\*\* May 20, 2003**

(54) **IMAGE FORMING APPARATUS**

(75) Inventors: **Takeshi Kubota, Mishima (JP);  
Teruhiko Sasaki, Mishima (JP)**

(73) Assignee: **Canon Kabushiki Kaisha, Tokyo (JP)**

(\*\*) Term: **14 Years**

(21) Appl. No.: **29/168,907**

(22) Filed: **Oct. 11, 2002**

(30) **Foreign Application Priority Data**

Apr. 16, 2002 (JP) ..... 2002-010197

(51) **LOC (7) Cl.** ..... **16-03**

(52) **U.S. Cl.** ..... **D18/40**

(58) **Field of Search** ..... D18/36, 40, 43,  
D18/56; 399/24, 25, 27, 31-33, 110, 111,  
119, 122, 130, 252, 262; 222/DIG. 1

(56) **References Cited**

**U.S. PATENT DOCUMENTS**

D367,880 S \* 3/1996 Miyamoto ..... D18/43  
D394,082 S \* 5/1998 Tashiro et al. .... D18/43

D410,489 S \* 6/1999 Miyazawa ..... D18/43  
D415,191 S \* 10/1999 Okada ..... D18/43  
D419,181 S \* 1/2000 Matsumoto ..... D18/40  
D462,984 S 9/2002 Hayashi et al. .... D18/40

\* cited by examiner

*Primary Examiner*—Caron D. Veynar

(74) *Attorney, Agent, or Firm*—Fitzpatrick, Cella, Harper & Scinto

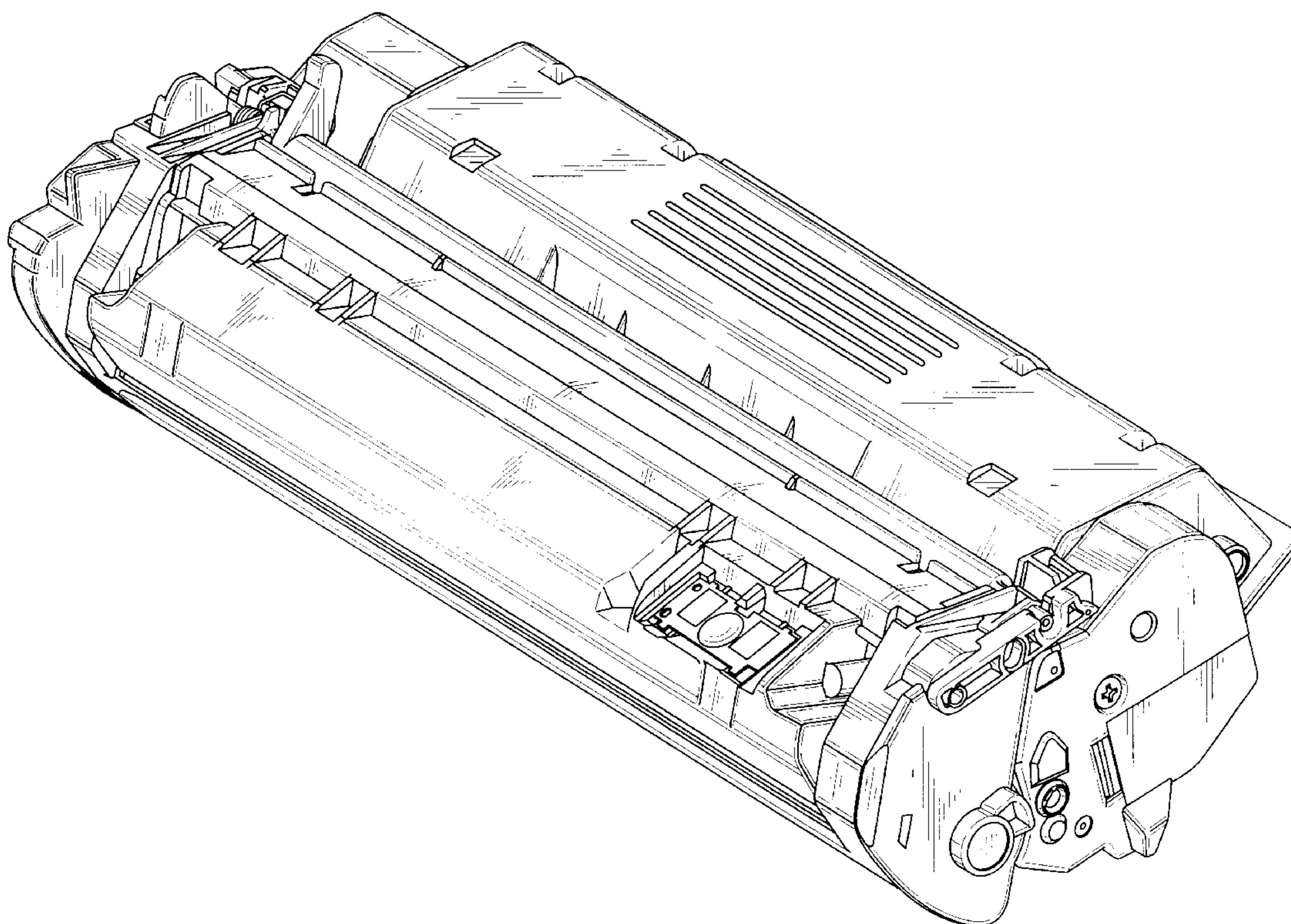
(57) **CLAIM**

The ornamental design for an image forming apparatus, as shown and described.

**DESCRIPTION**

FIG. 1 is a front view of an image forming apparatus showing our new design;  
FIG. 2 is a rear view thereof;  
FIG. 3 is a top plan view thereof;  
FIG. 4 is a bottom plan view thereof;  
FIG. 5 is a left side view thereof;  
FIG. 6 is a right side view thereof; and,  
FIG. 7 is a perspective view thereof.

**1 Claim, 6 Drawing Sheets**



*FIG. 1*

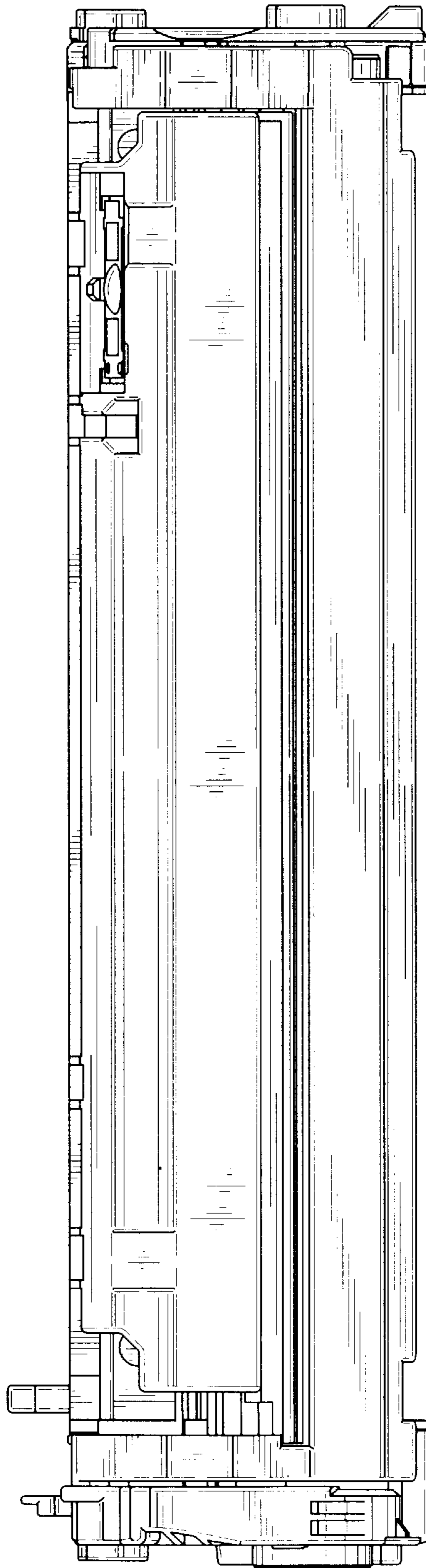


FIG. 2

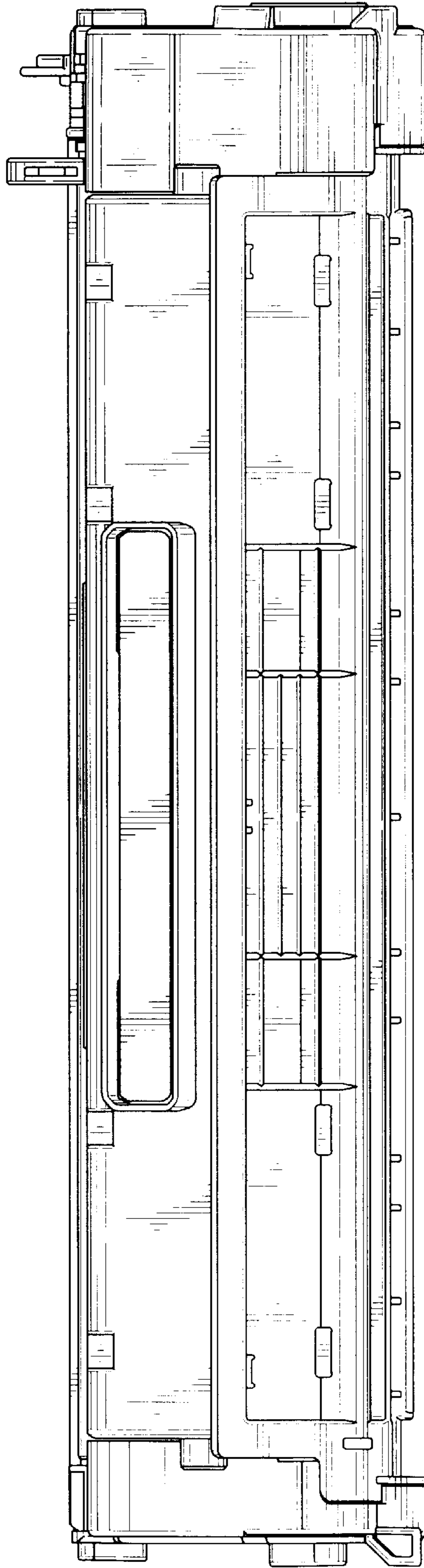


FIG. 3

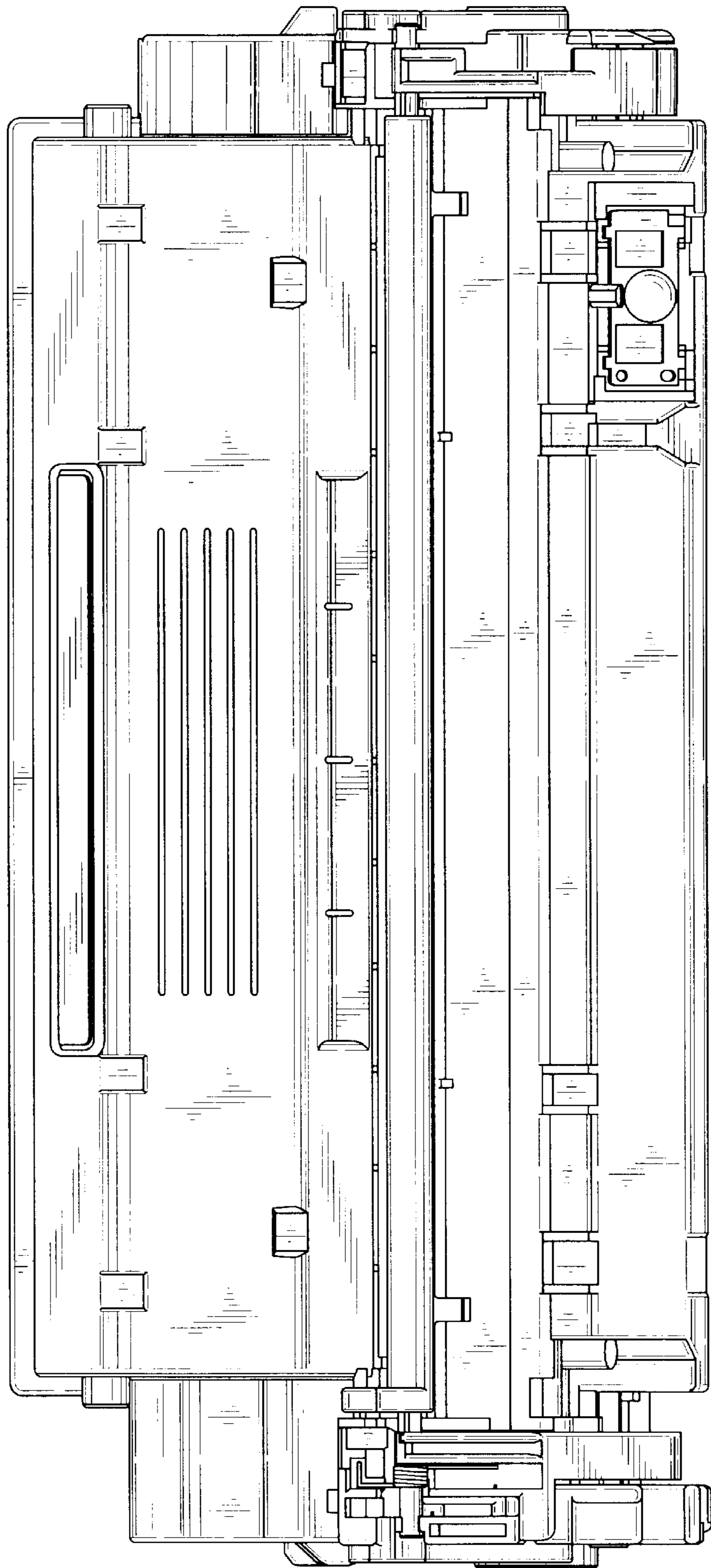
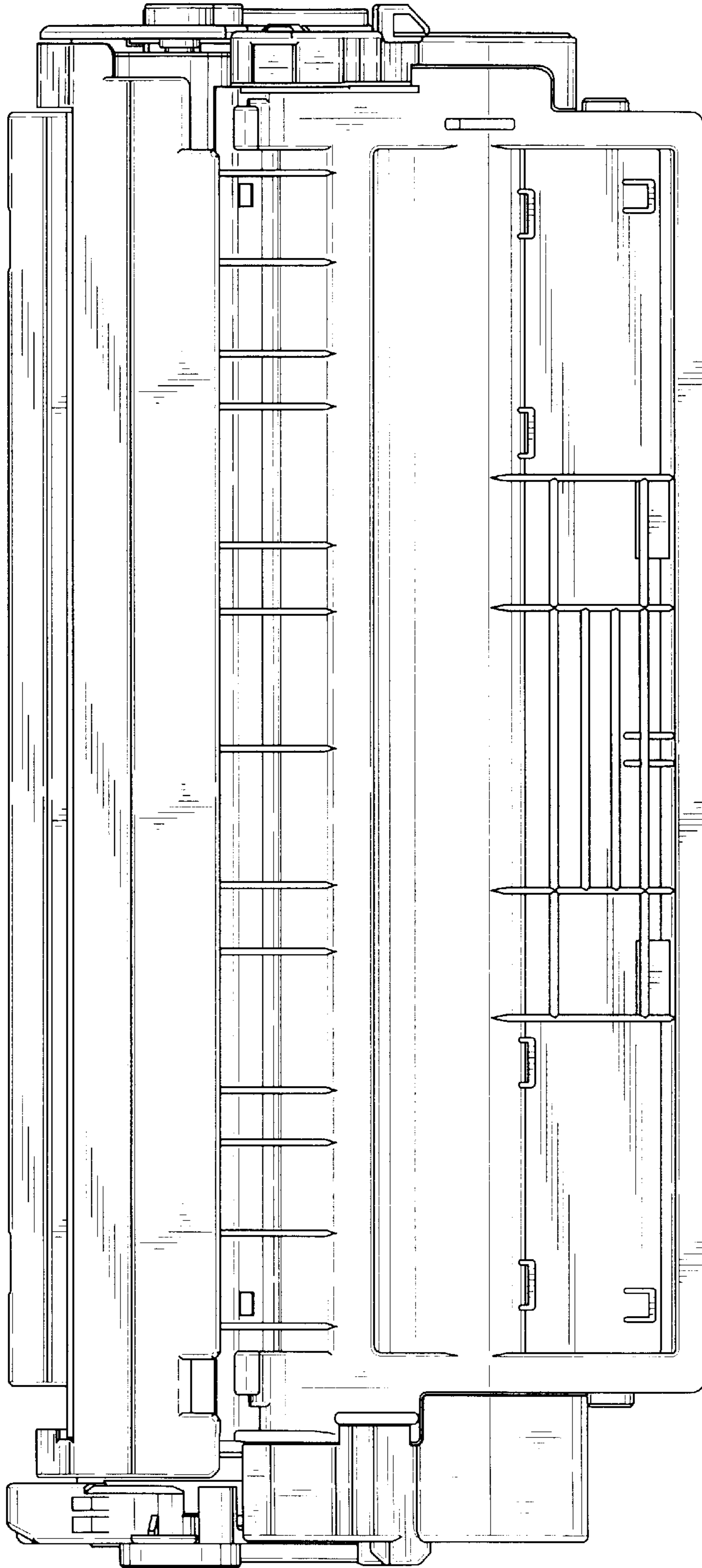
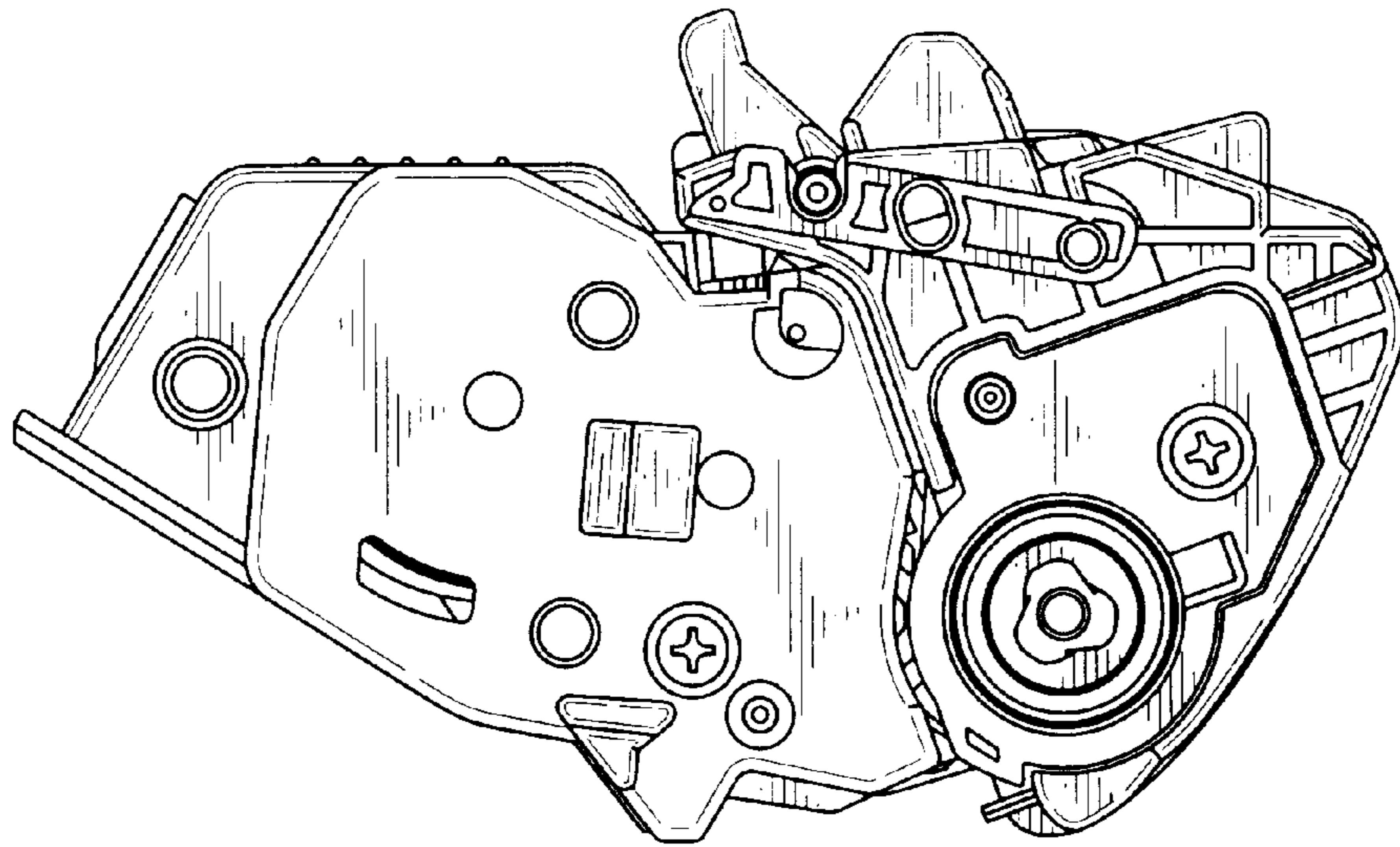


FIG. 4



*FIG. 5*



*FIG. 6*

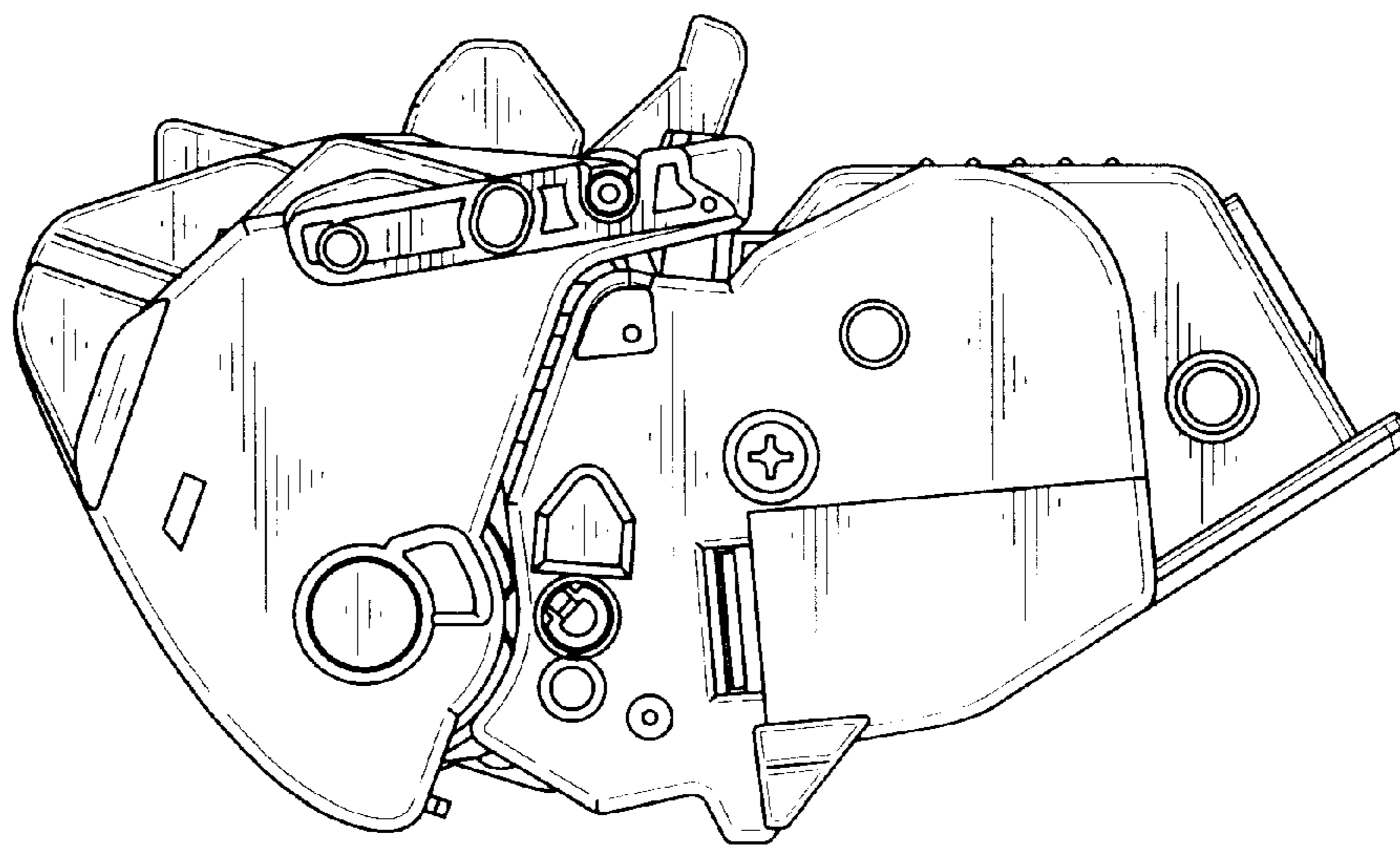


FIG. 7

