



US00D474801S

(12) **United States Design Patent**
Okamura

(10) **Patent No.: US D474,801 S**

(45) **Date of Patent: ** May 20, 2003**

(54) **PIANO**

(75) **Inventor: Sunao Okamura, Hamamatsu (JP)**

(73) **Assignee: Yamaha Corporation (JP)**

(**) **Term: 14 Years**

(21) **Appl. No.: 29/158,873**

(22) **Filed: Apr. 10, 2002**

(30) **Foreign Application Priority Data**

Jan. 11, 2002 (JP) 2002-000523

(51) **LOC (7) Cl. 17-01**

(52) **U.S. Cl. D17/7**

(58) **Field of Search** D17/1-2, 5-7,
D17/9, 24, 99; D21/409, 324; 84/174, 175,
177, 180, 186.1, 172, 678, 423 R, 477 R-478,
DIG. 17, 170-171, 82, 719, 744; 446/397,
143; D6/509, 495, 491, 376, 499

(56) **References Cited**

U.S. PATENT DOCUMENTS

D112,353 S * 11/1938 Zack D17/7
D174,331 S * 3/1955 Lambach D17/5
D216,715 S * 3/1970 Dottinger D6/495
3,981,538 A * 9/1976 Chubb 297/452.13
D296,171 S * 6/1988 Murry D6/499

4,784,435 A * 11/1988 Leib 297/451.7
5,312,076 A * 5/1994 Rogov 248/165
D437,137 S * 2/2001 Tseng D6/372

FOREIGN PATENT DOCUMENTS

JP 996672 11/1997
JP 1013027 6/1998
JP 1048531 9/1999
JP 1056278 12/1999

* cited by examiner

Primary Examiner—Ruth McInroy

(74) *Attorney, Agent, or Firm*—Ostrolenk, Faber, Gerb & Soffen, LLP

(57) **CLAIM**

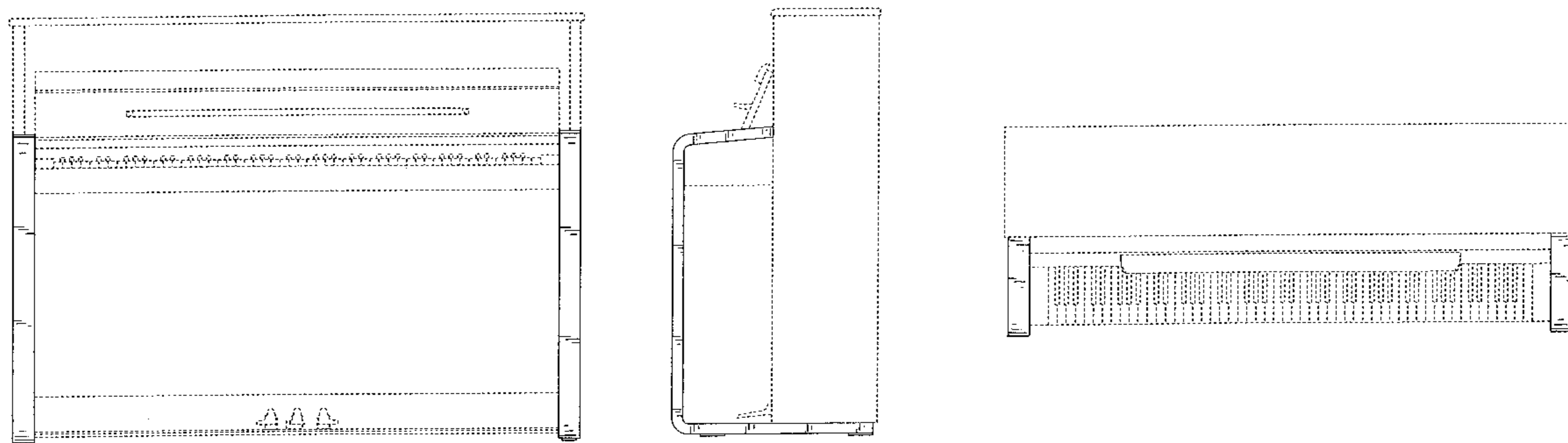
I claim the ornamental design for a piano, as shown and described.

DESCRIPTION

FIG. 1 is a front view of a piano showing my new design;
FIG. 2 is a rear view thereof;
FIG. 3 is a right-side view thereof;
FIG. 4 is a top view thereof; and,
FIG. 5 is a bottom view thereof.

The details shown in broken lines in all the views are for illustrative purposes only and form no part of the claimed design.

1 Claim, 3 Drawing Sheets



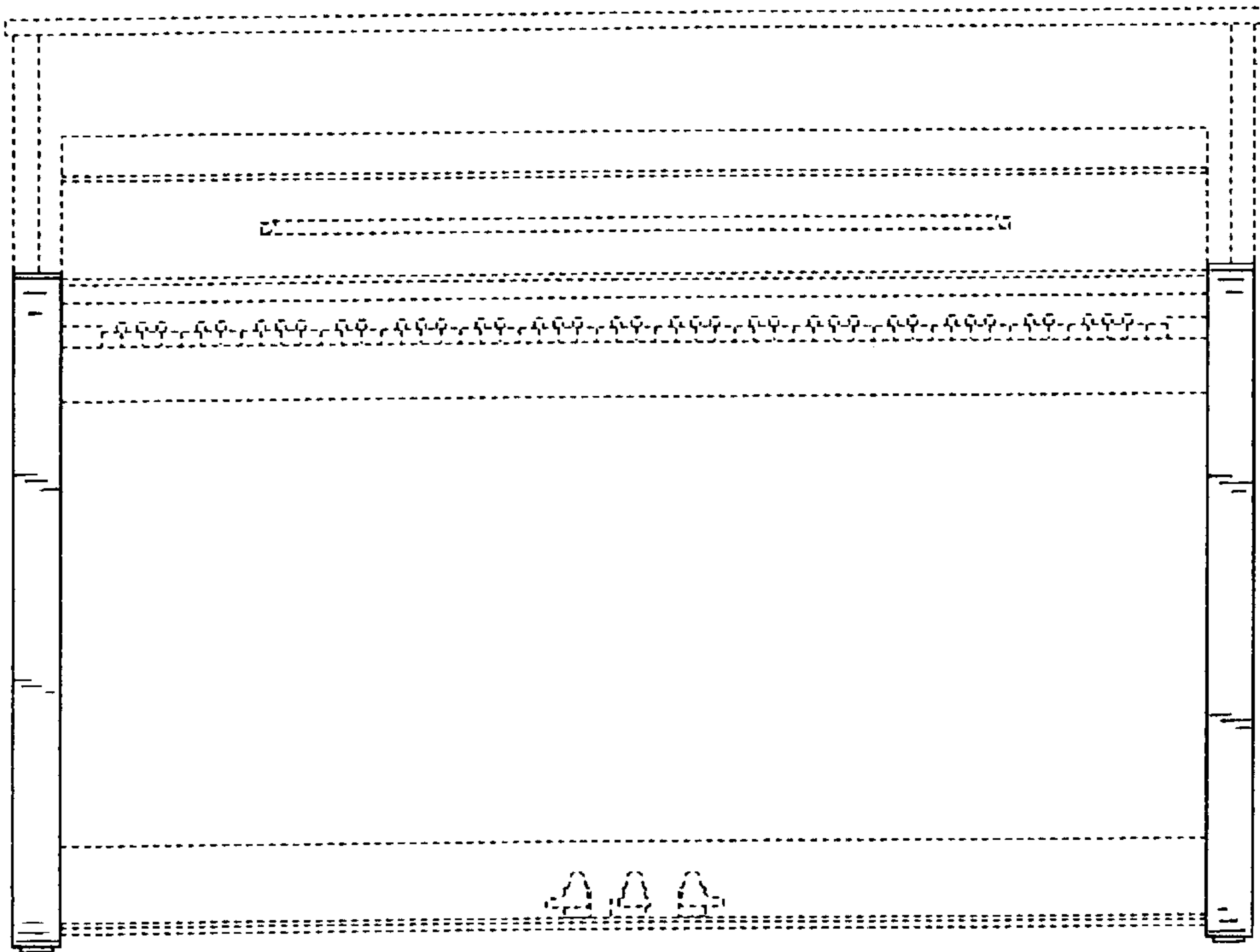


FIG. 1

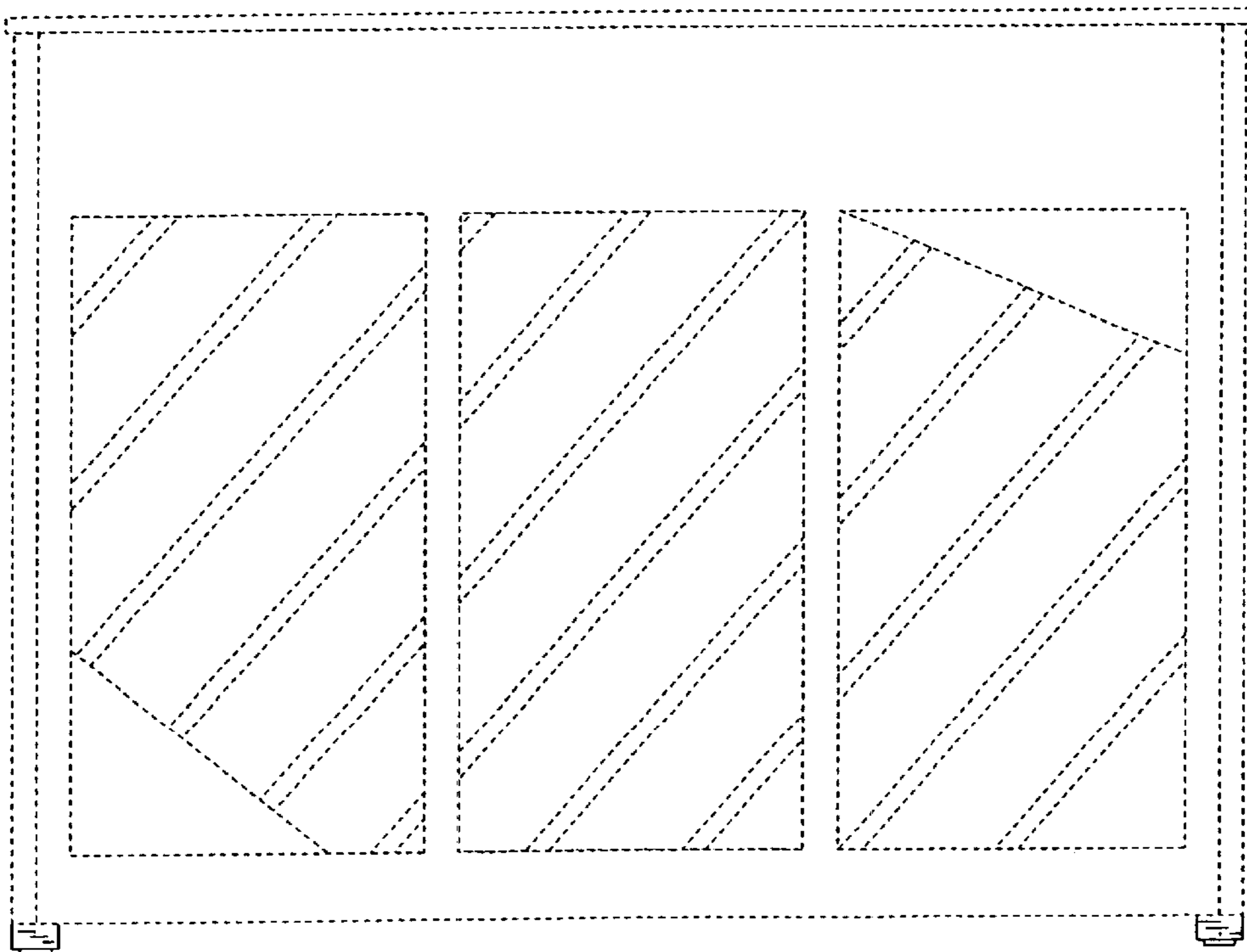


FIG. 2

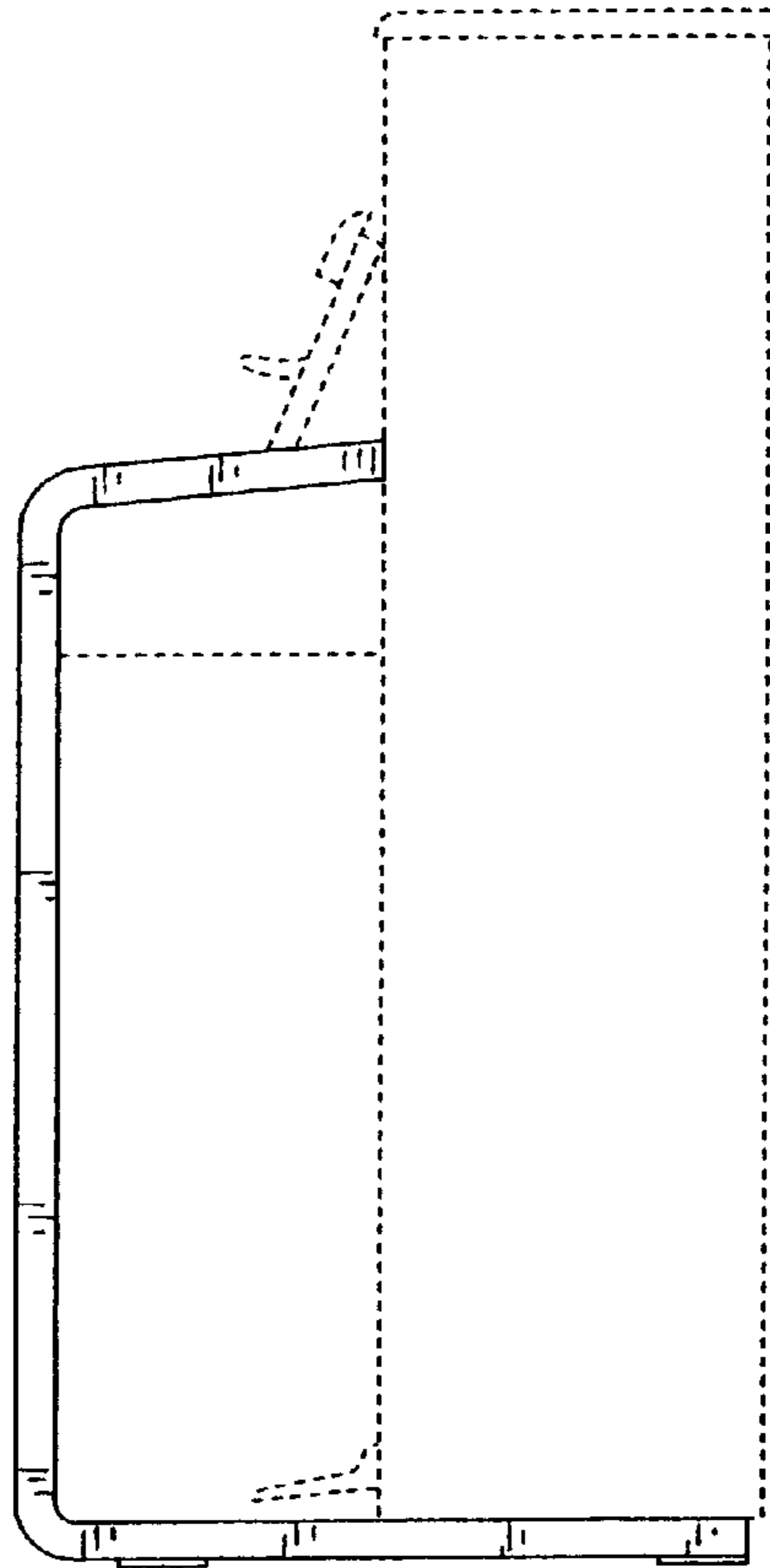


FIG. 3

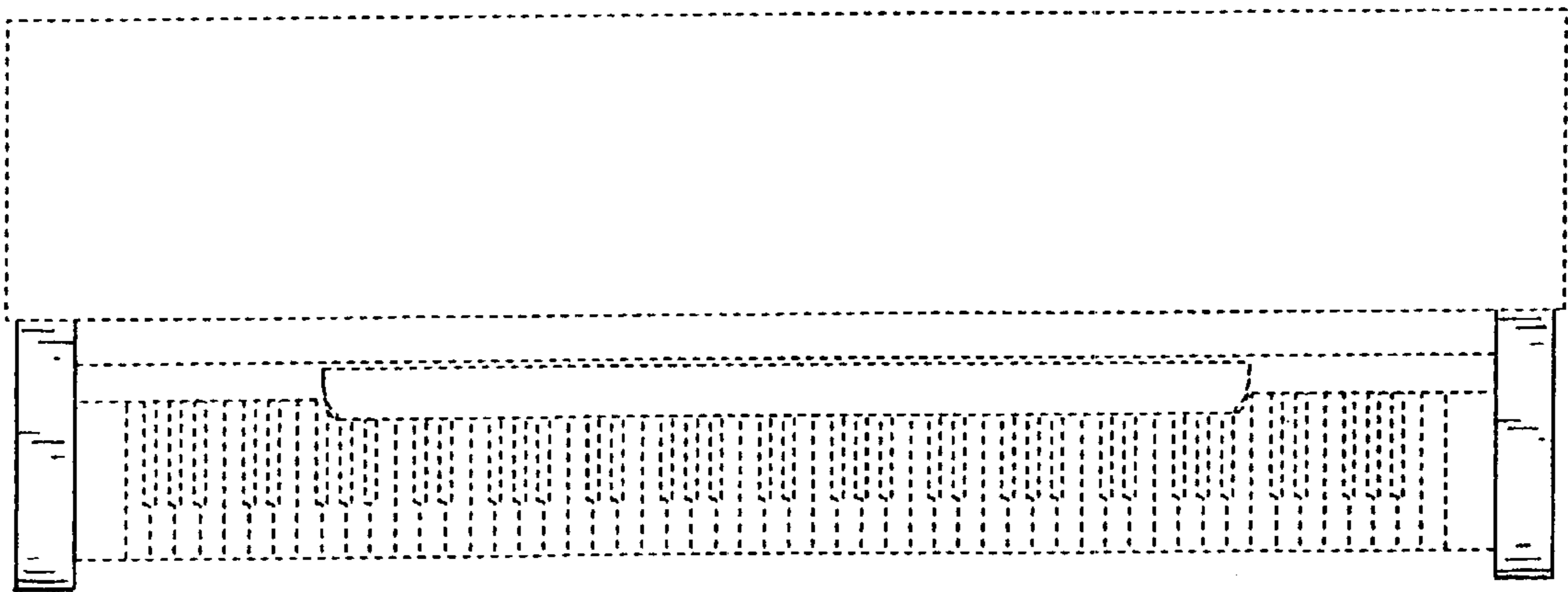


FIG. 4

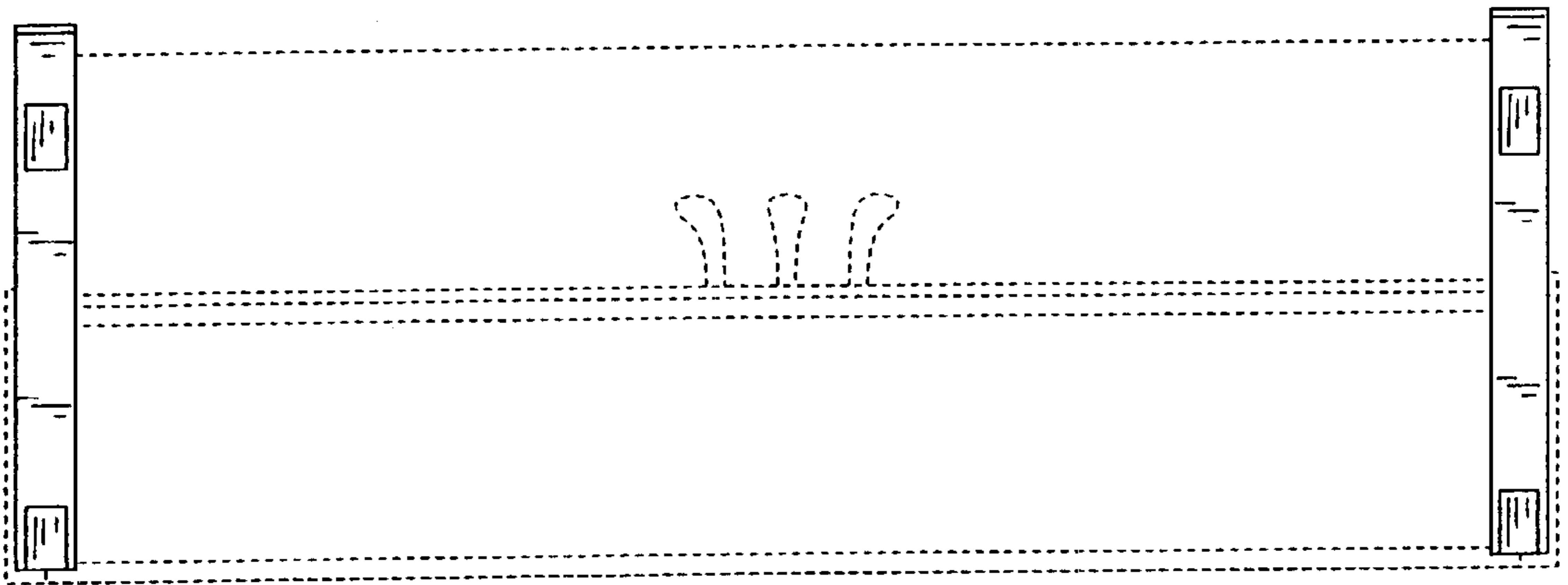


FIG. 5