



US00D474797S

(12) **United States Design Patent**  
**Komatsu**

(10) **Patent No.:** **US D474,797 S**

(45) **Date of Patent:** **\*\* May 20, 2003**

(54) **CAMERA**

(75) **Inventor:** **Hiroshi Komatsu, Yokohama (JP)**

(73) **Assignee:** **Canon Kabushiki Kaisha, Tokyo (JP)**

(\*\*) **Term:** **14 Years**

(21) **Appl. No.:** **29/163,709**

(22) **Filed:** **Jul. 11, 2002**

(30) **Foreign Application Priority Data**

Jan. 24, 2002 (JP) ..... 2002-001489

(51) **LOC (7) Cl. .... 16-01**

(52) **U.S. Cl. .... D16/218**

(58) **Field of Search .... D16/200-205,  
D16/208, 209, 212, 218; 396/6, 448, 535-541**

(56) **References Cited**

**U.S. PATENT DOCUMENTS**

D336,914 S \* 6/1993 Isozaki ..... D16/218  
5,649,235 A \* 7/1997 Ando et al. .... 396/6

D384,684 S \* 10/1997 Hamamura ..... D16/209  
5,805,947 A \* 9/1998 Miyamoto et al. .... 396/448  
D404,412 S \* 1/1999 Yoshii et al. .... D16/202  
6,086,266 A \* 7/2000 Fujisaki ..... 396/448

\* cited by examiner

*Primary Examiner*—Adir Aronovich

(74) *Attorney, Agent, or Firm*—Fitzpatrick, Cella, Harper & Scinto

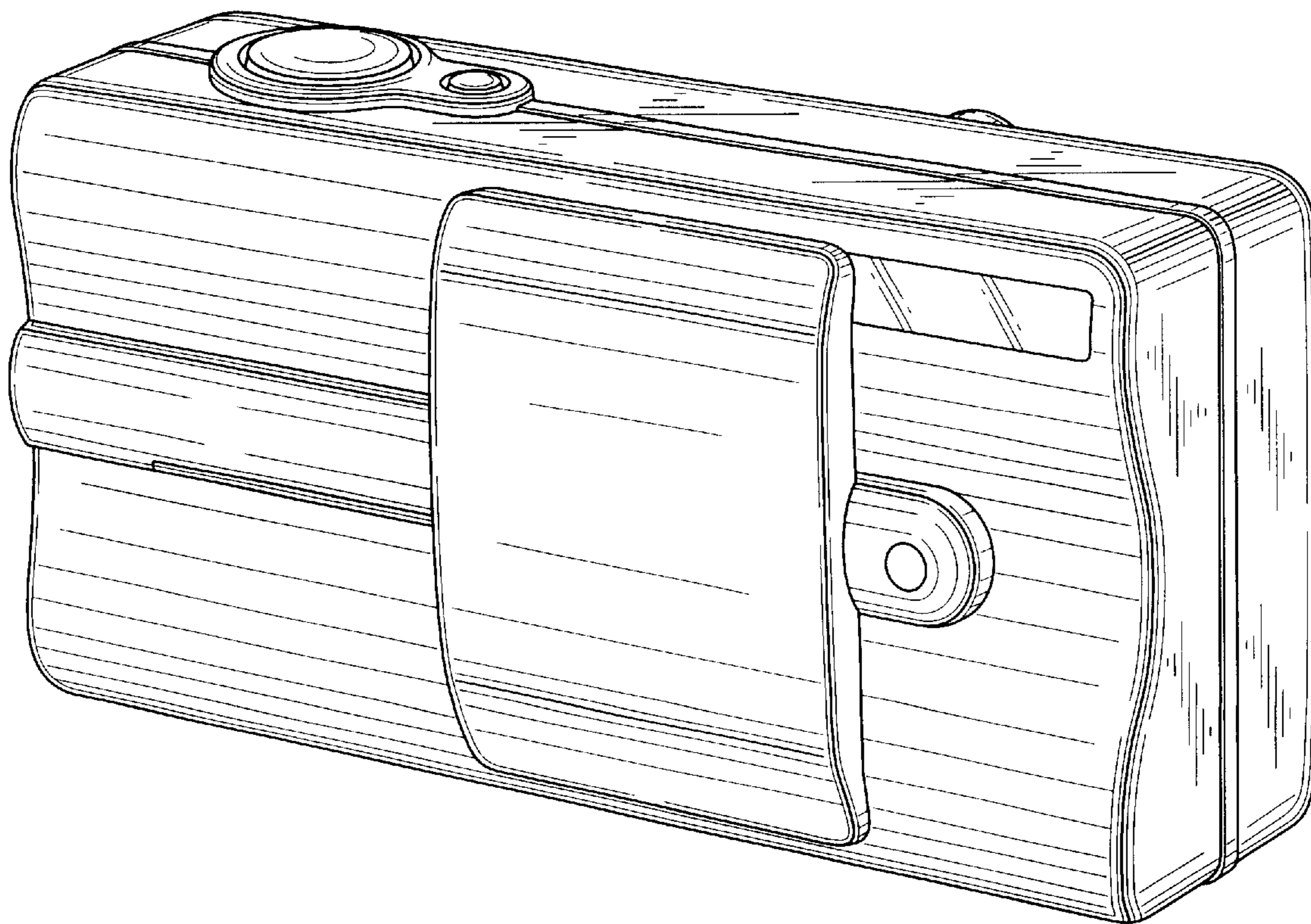
(57) **CLAIM**

The ornamental design for a camera, as shown and described.

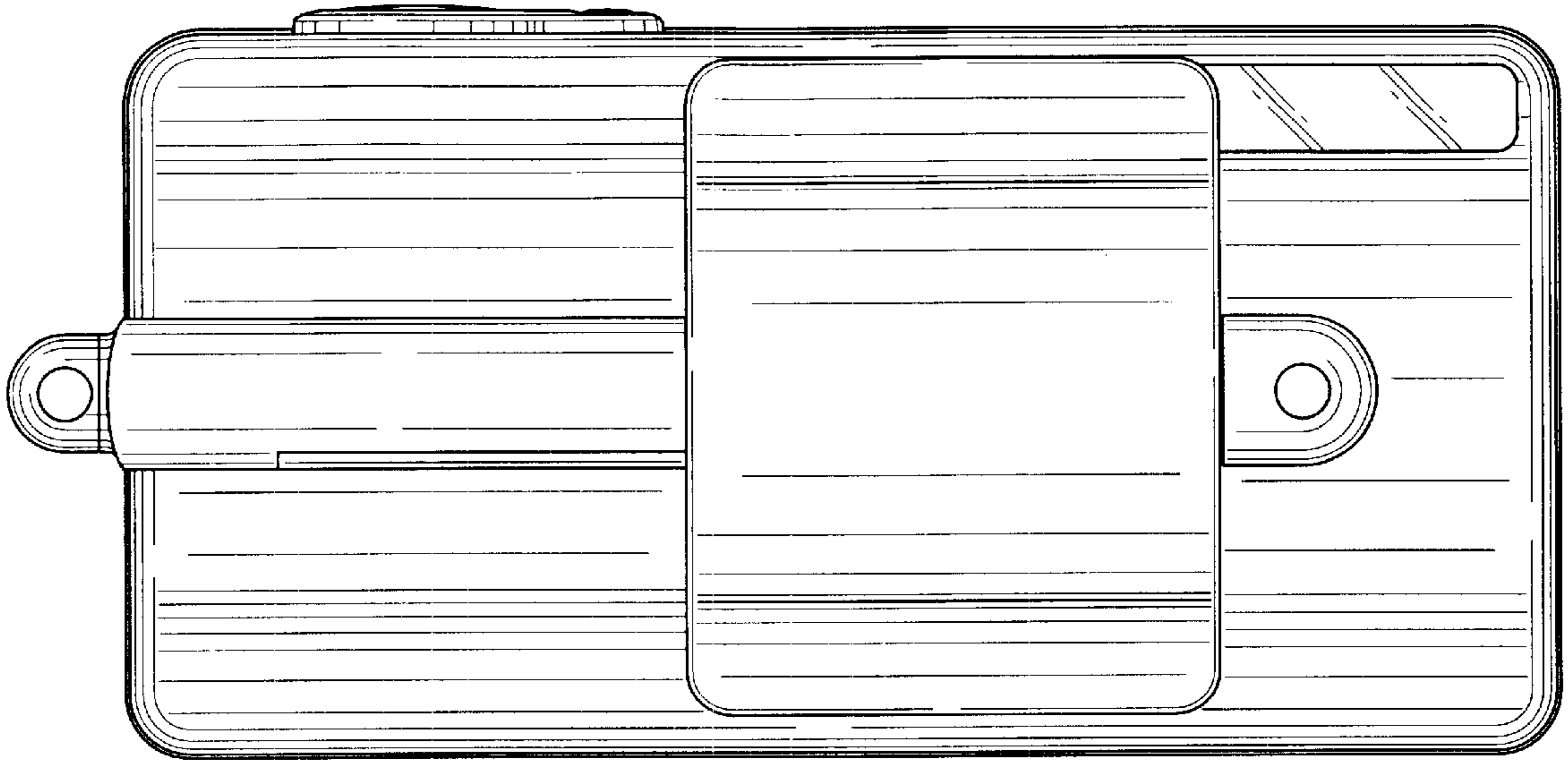
**DESCRIPTION**

FIG. 1 is a front view of a camera showing my new design;  
FIG. 2 is a rear view thereof;  
FIG. 3 is a top plan view thereof;  
FIG. 4 is a bottom plan view thereof;  
FIG. 5 is a left side view thereof;  
FIG. 6 is a right side view thereof; and,  
FIG. 7 is a perspective view thereof.

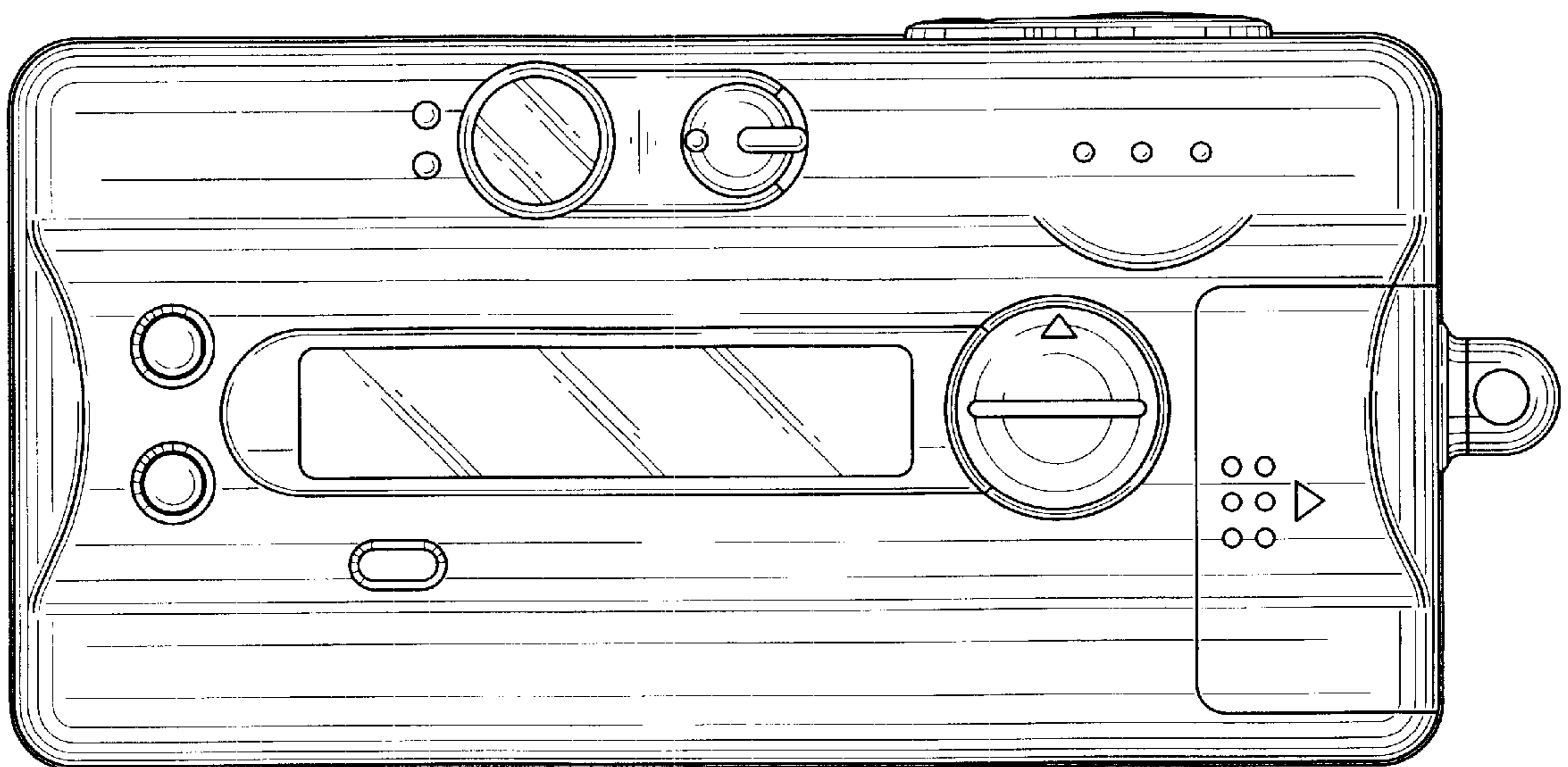
**1 Claim, 3 Drawing Sheets**



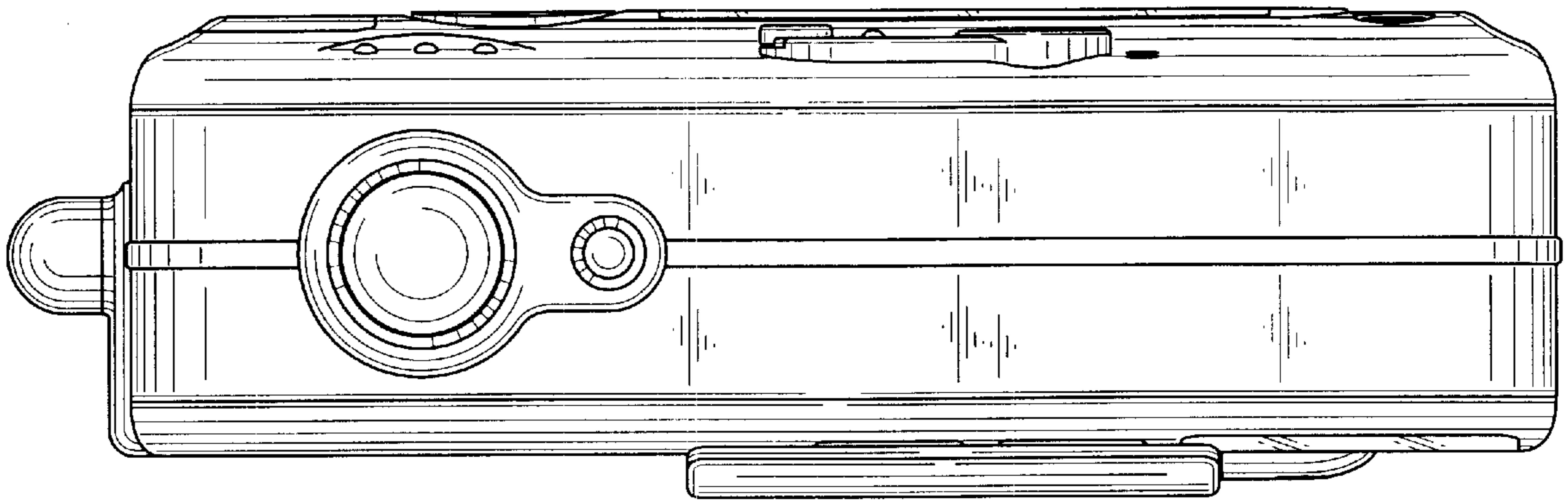
*FIG. 1*



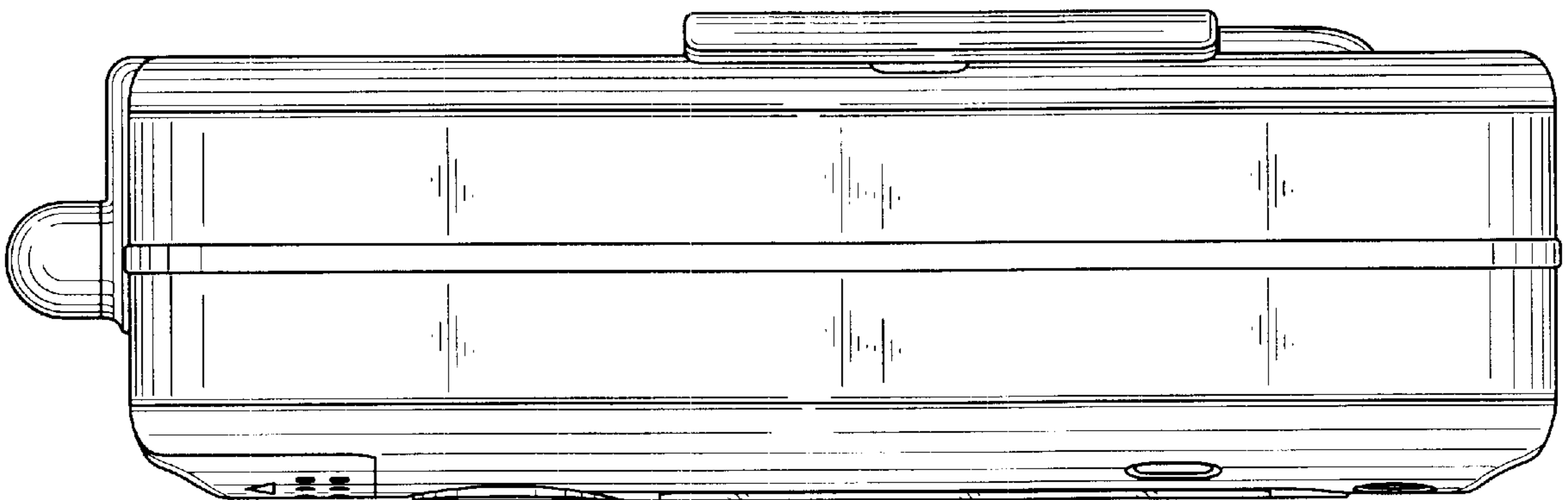
*FIG. 2*



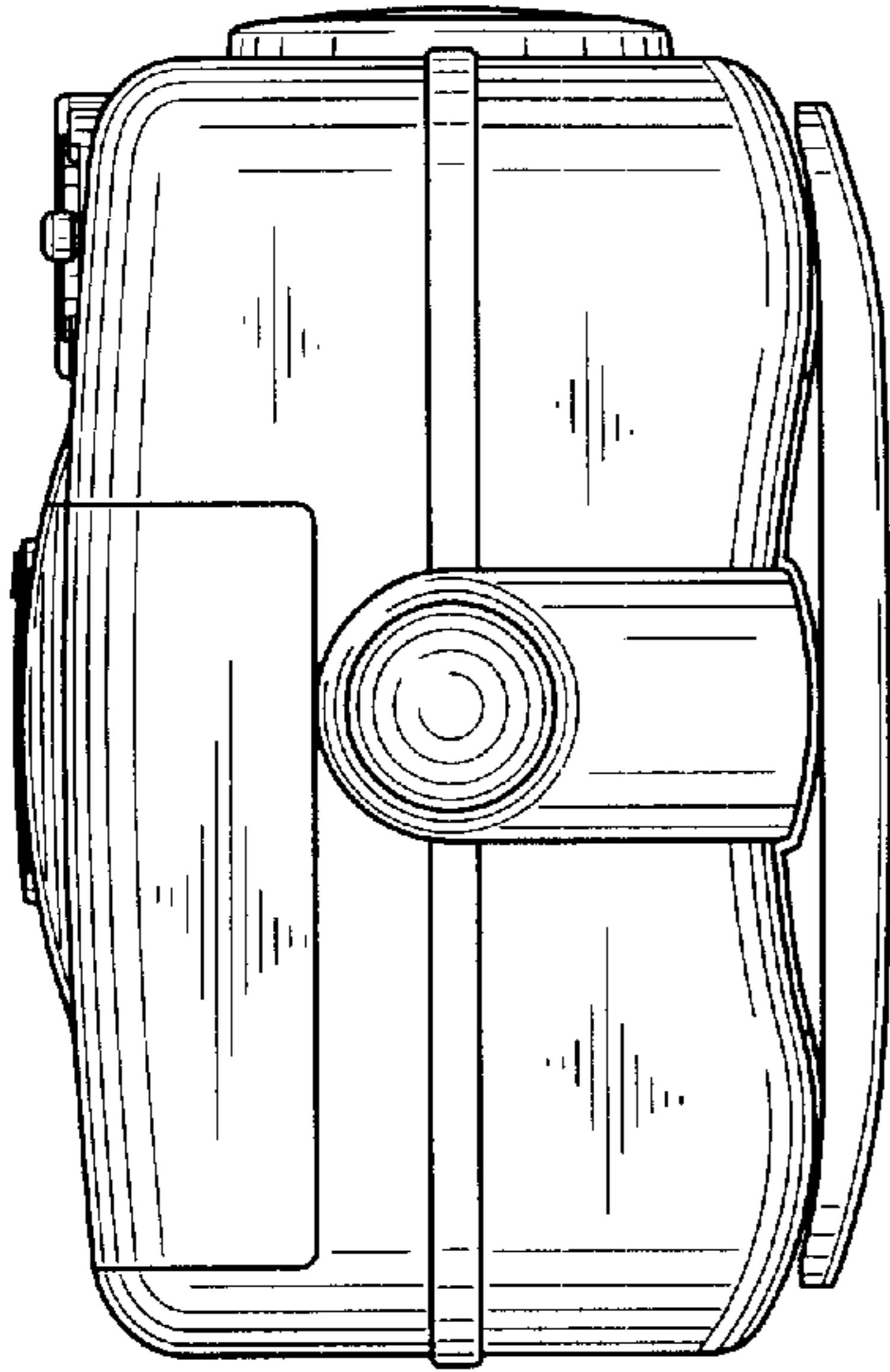
*FIG. 3*



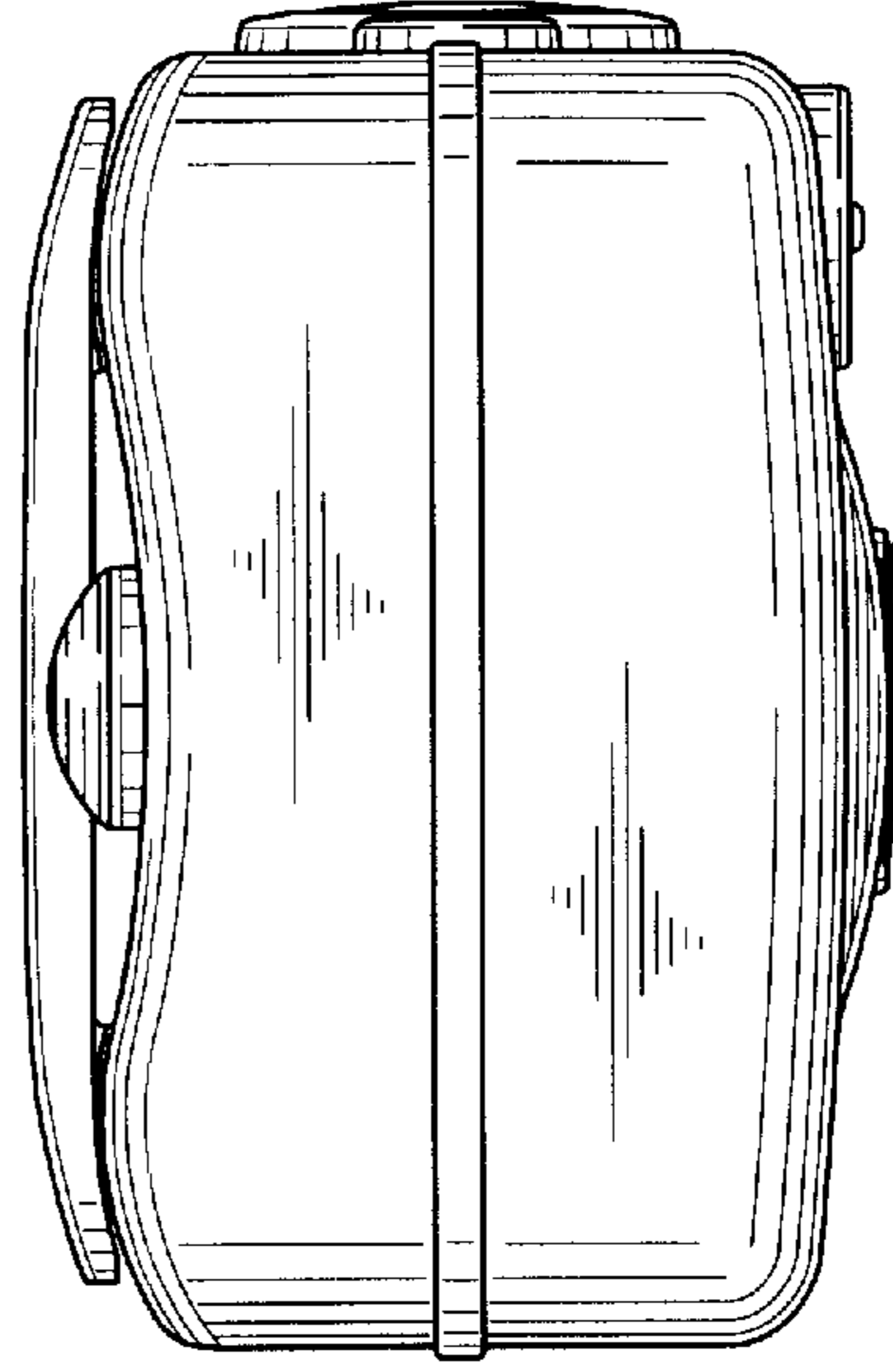
*FIG. 4*



*FIG. 5*



*FIG. 6*



*FIG. 7*

