



US00D474795S

(12) **United States Design Patent**
Katayama

(10) **Patent No.:** **US D474,795 S**

(45) **Date of Patent:** **** *May 20, 2003**

(54) **CAMERA**

(75) **Inventor:** **Noriko Katayama, Tokyo (JP)**

(73) **Assignee:** **Fuji Photo Film Co., Ltd., Kanagawa (JP)**

(*) **Notice:** This patent is subject to a terminal disclaimer.

(**) **Term:** **14 Years**

(21) **Appl. No.:** **29/159,961**

(22) **Filed:** **May 2, 2002**

(30) **Foreign Application Priority Data**

Dec. 7, 2001 (JP) 2001-036175

(51) **LOC (7) Cl.** **16-01**

(52) **U.S. Cl.** **D16/209**

(58) **Field of Search** **D16/200-205, D16/208, 209, 218; 396/535-541**

(56) **References Cited**

U.S. PATENT DOCUMENTS

- D386,183 S * 11/1997 Katayama D16/209
- D387,790 S * 12/1997 Kondo D16/209
- 5,897,234 A * 4/1999 Tanaka 396/535

- D434,786 S * 12/2000 Chin D16/209
- D454,579 S 3/2002 Yoshida
- D457,905 S * 5/2002 Watanabe D16/209
- D459,745 S * 7/2002 Jin D16/209
- D460,776 S * 7/2002 Jin D16/209

* cited by examiner

Primary Examiner—Adir Aronovich
(74) *Attorney, Agent, or Firm*—Young & Thompson

(57) **CLAIM**

The ornamental design for a camera, as shown and described.

DESCRIPTION

FIG. 1 is a top, front and side perspective view of a camera showing my new design;
 FIG. 2 is a front elevational view thereof;
 FIG. 3 is a rear elevational view thereof;
 FIG. 4 is a top plan view thereof;
 FIG. 5 is a bottom plan view thereof;
 FIG. 6 is a side elevational view thereof from the right of FIG. 2;
 FIG. 7 is a side elevational view thereof from the left of FIG. 2; and,
 FIGS. 8 and 9 are views similar to FIG. 1 but show the parts in different positions.

1 Claim, 5 Drawing Sheets

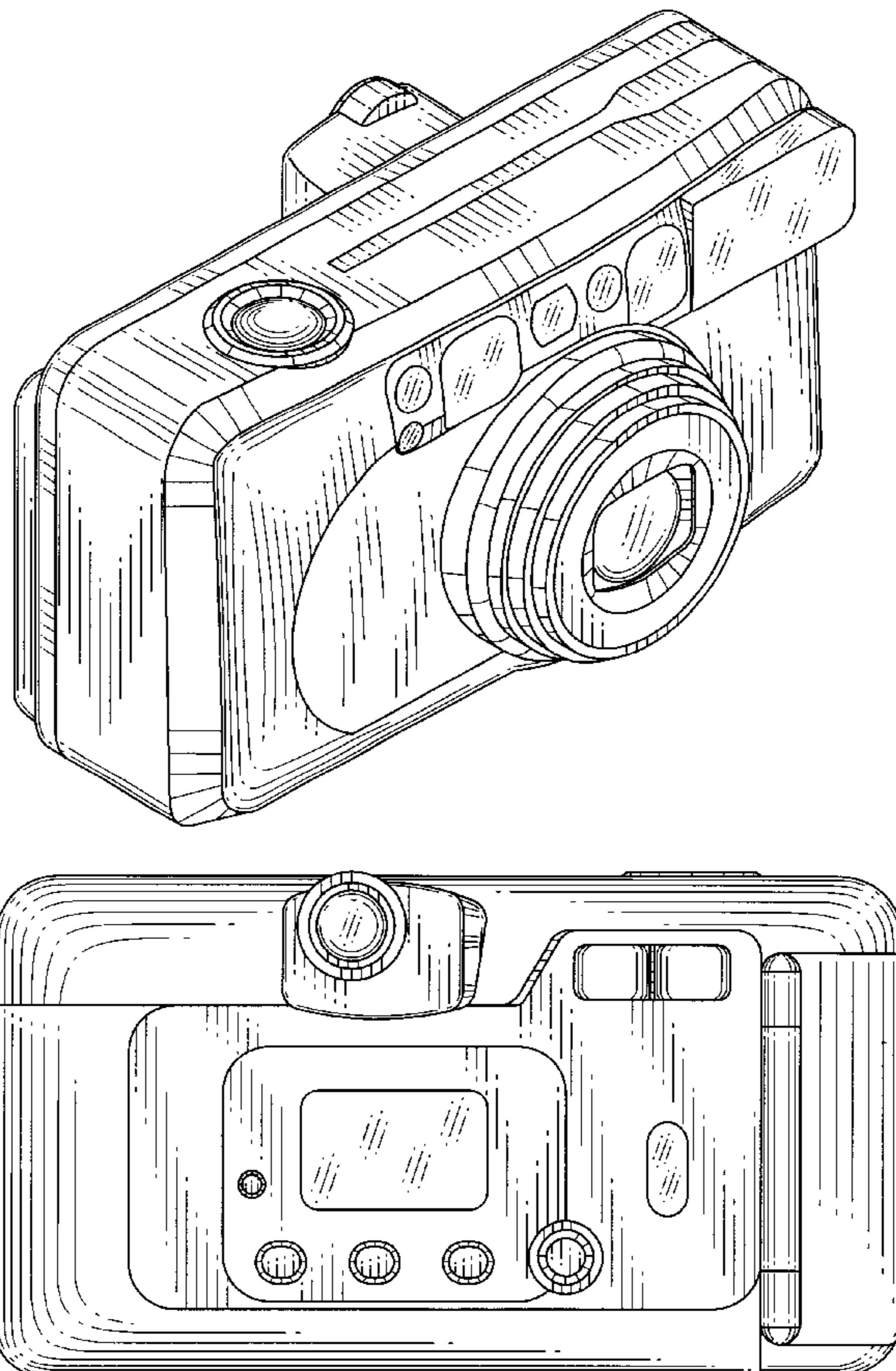


FIG. 1

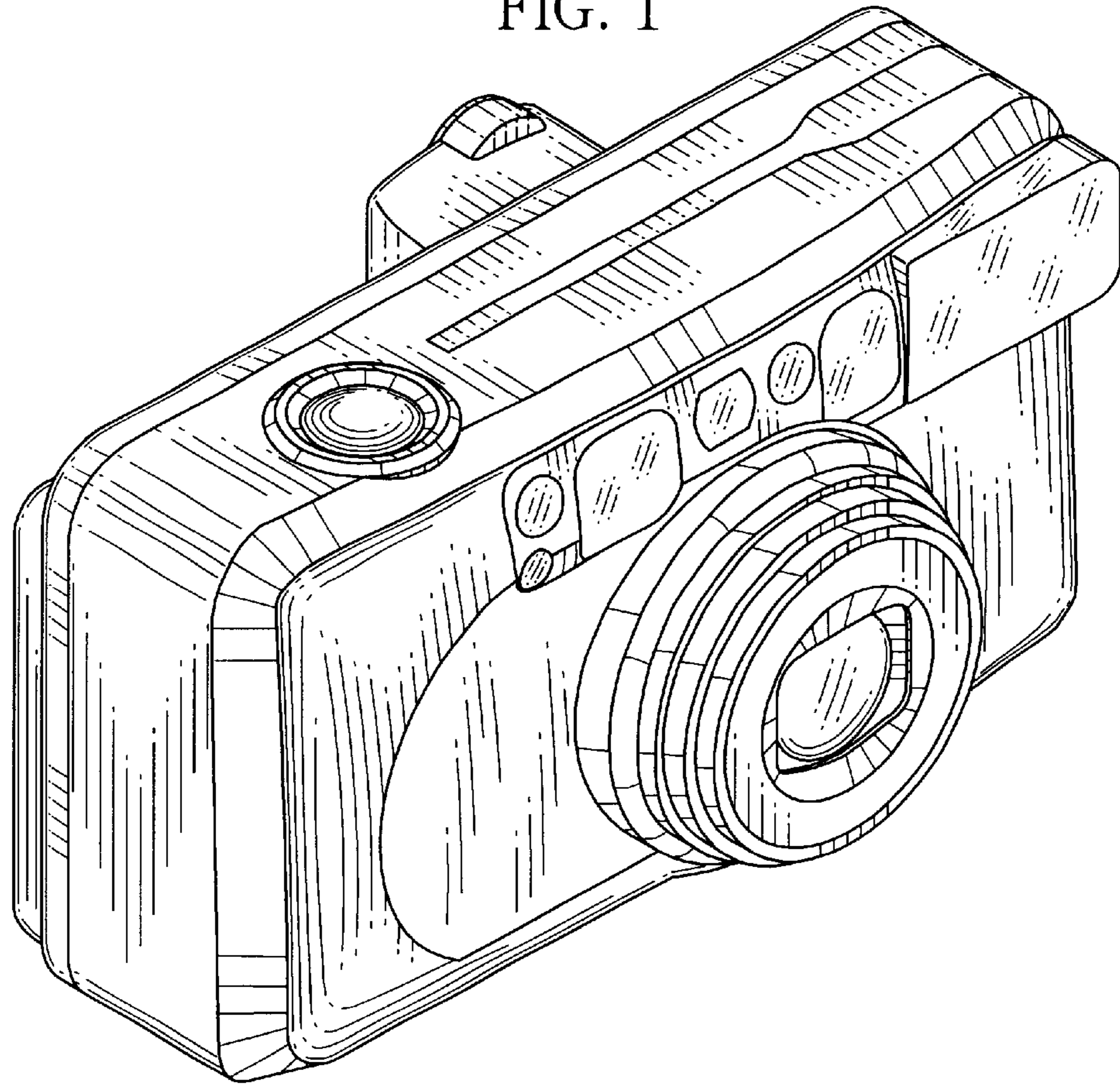


FIG. 2

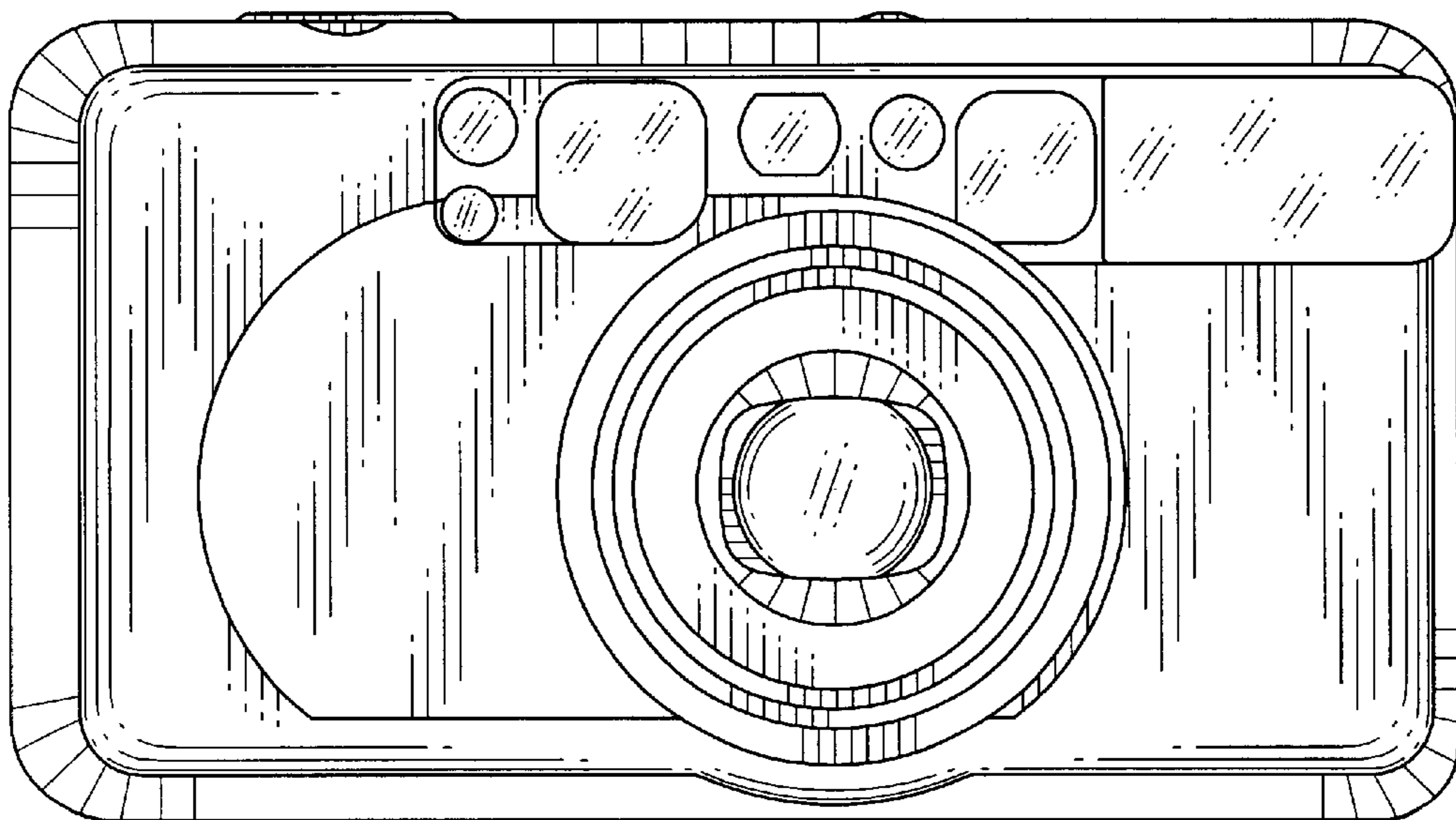


FIG. 3

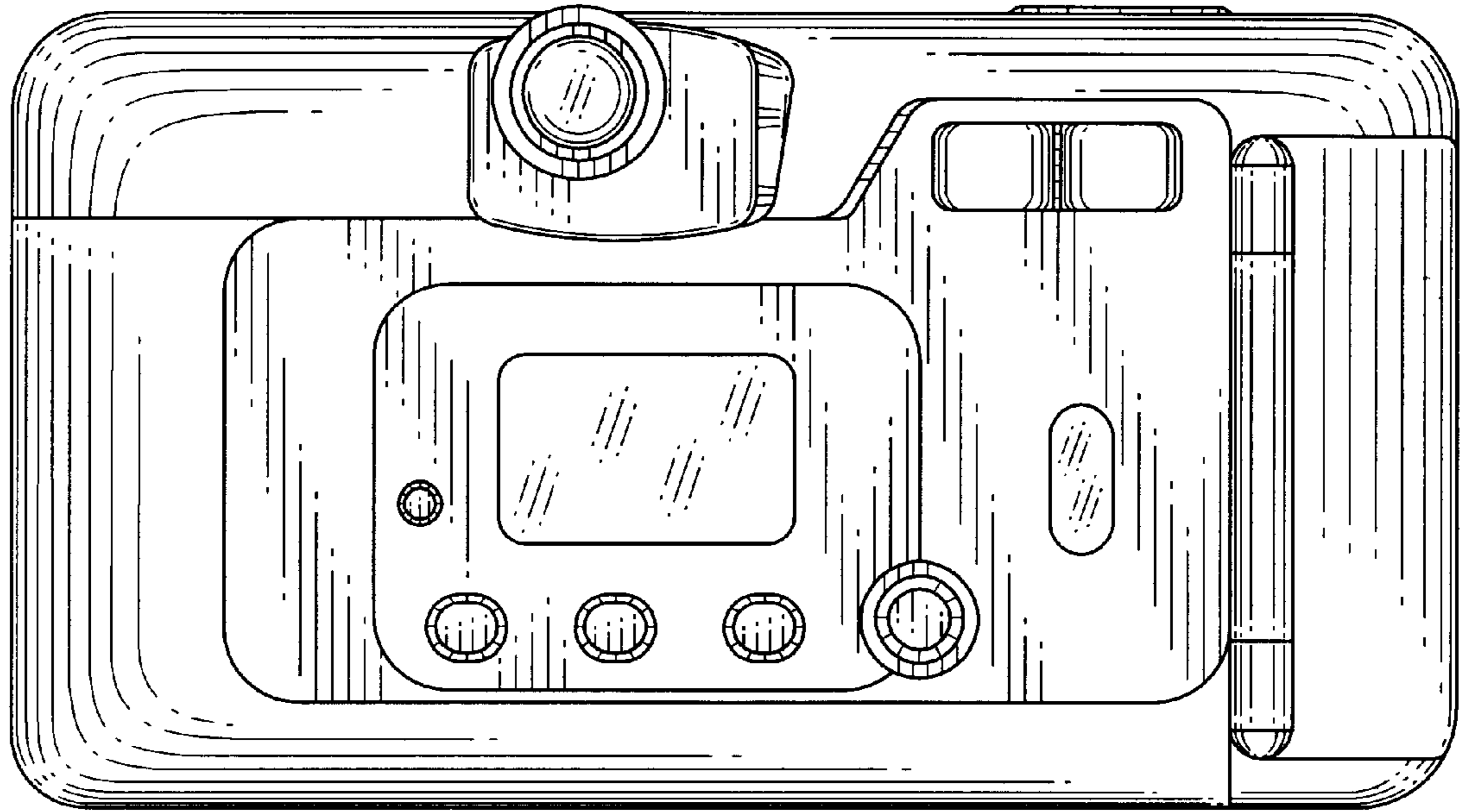


FIG. 4

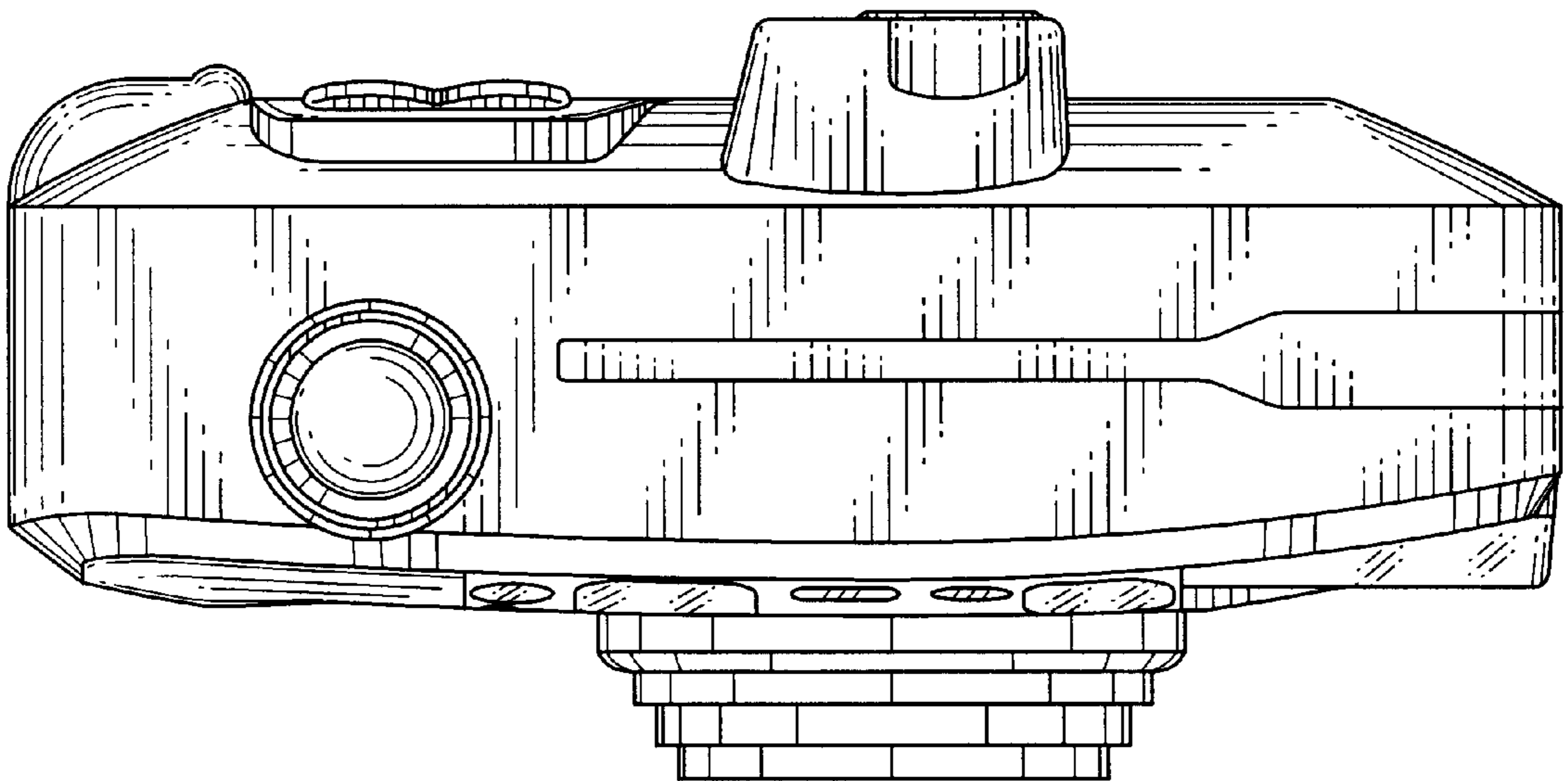


FIG. 5

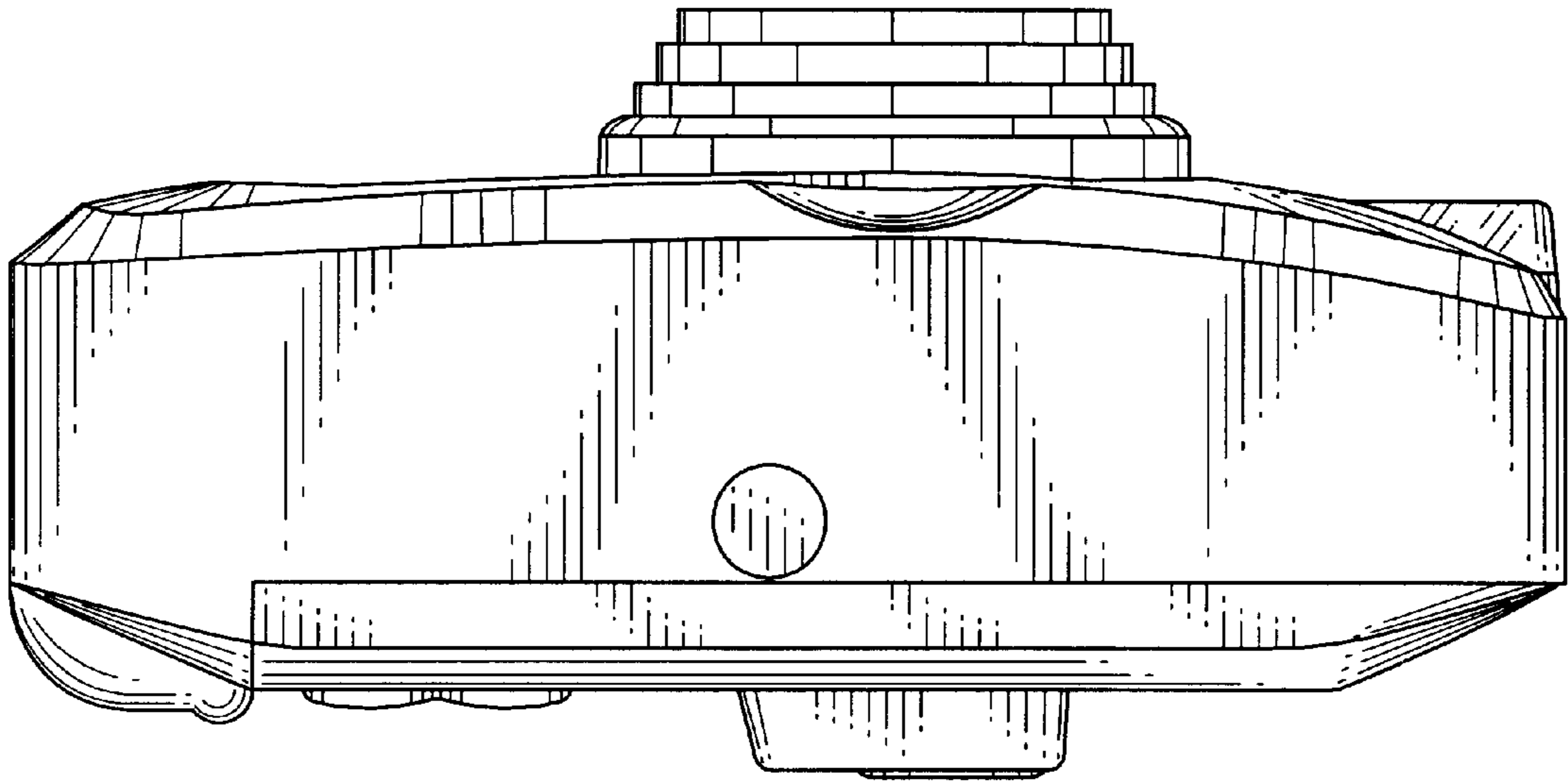


FIG. 6

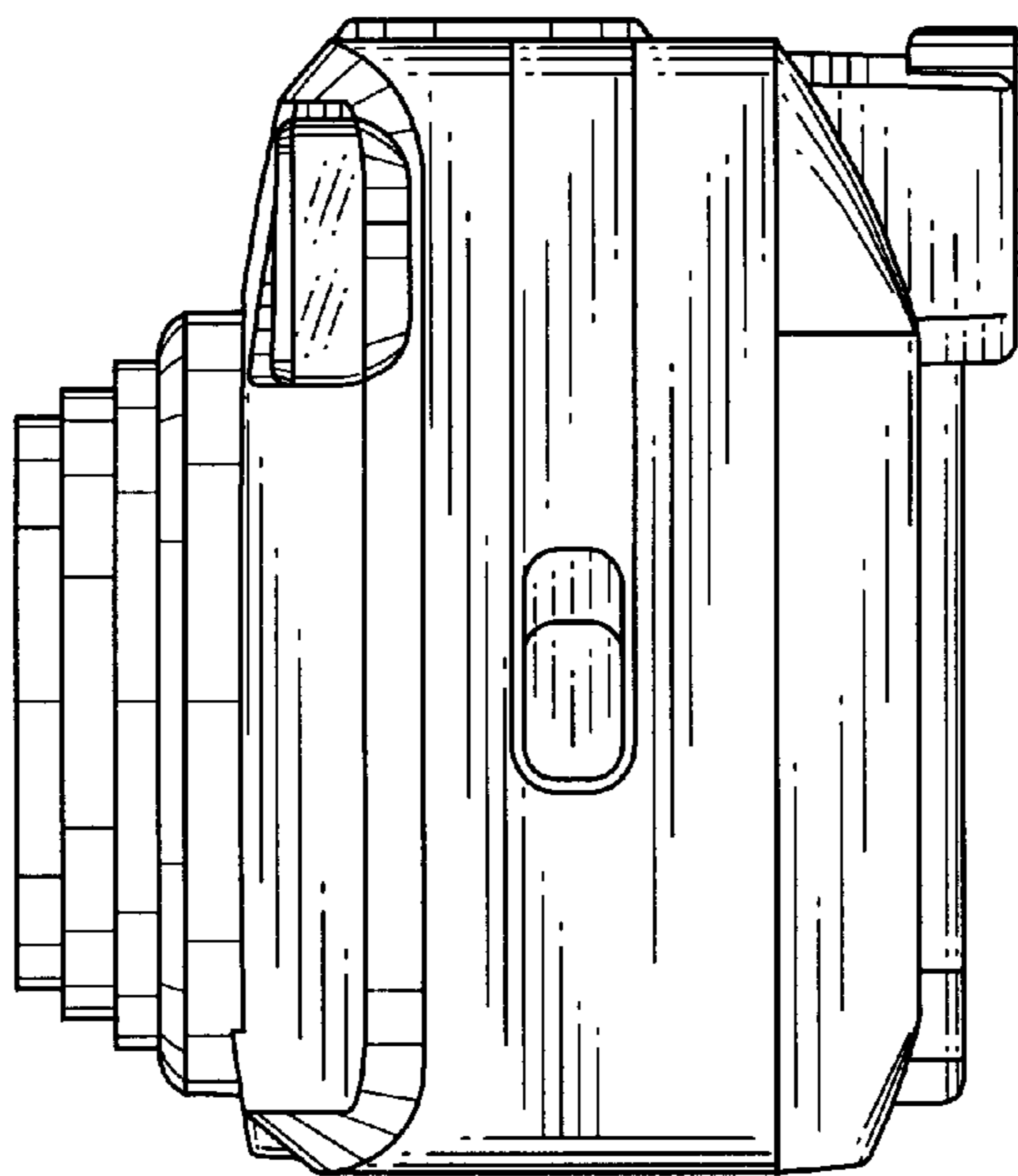


FIG. 7

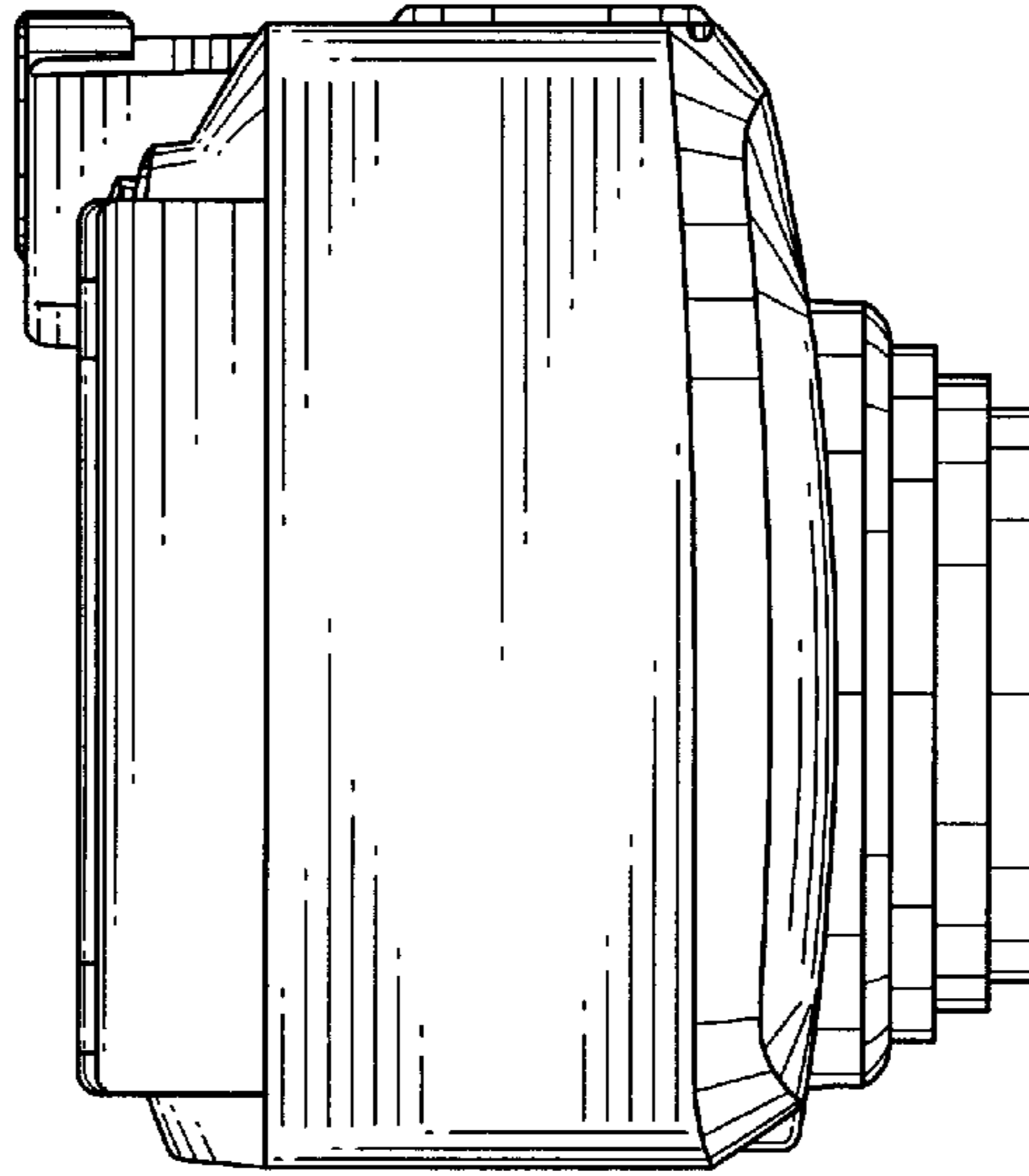


FIG. 8

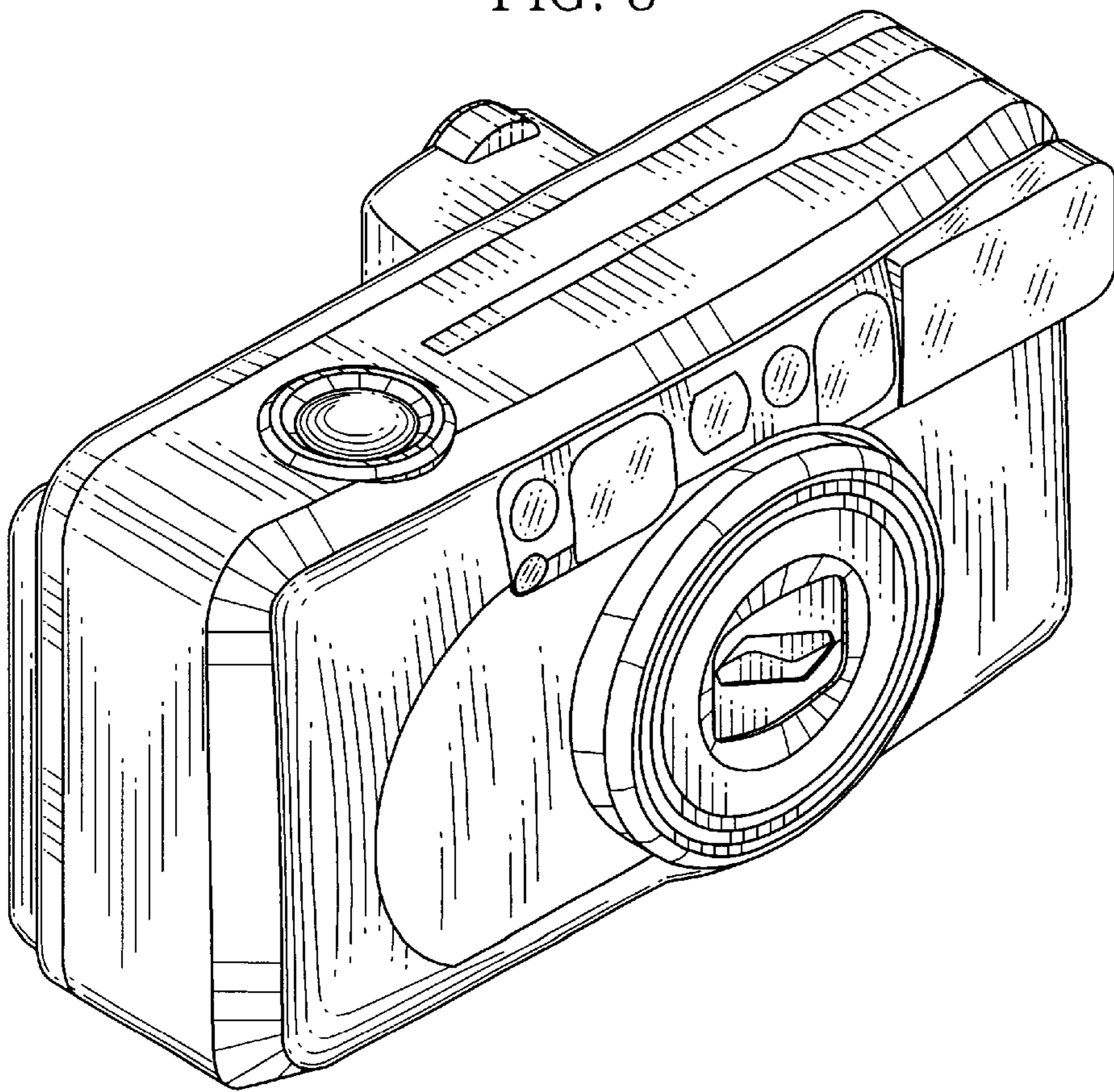


FIG. 9

