



US00D474794S

(12) **United States Design Patent**  
**Ogura**

(10) **Patent No.:** **US D474,794 S**

(45) **Date of Patent:** **\*\* May 20, 2003**

(54) **VIDEO CAMERA**

D434,057 S \* 11/2000 Whitby et al. .... D16/202

(75) Inventor: **Hajime Ogura**, Tokyo (JP)

**OTHER PUBLICATIONS**

(73) Assignee: **Sony Corporation**, Tokyo (JP)

Web Page Super Dynamic, <http://www.mci.panasonic.co.jp/avsd/sd2all/index.html>, 3 sheets, Panasonic, (Mar. 2002).

(\*\*) Term: **14 Years**

\* cited by examiner

(21) Appl. No.: **29/164,049**

*Primary Examiner*—Adir Aronovich

(22) Filed: **Jul. 18, 2002**

(74) *Attorney, Agent, or Firm*—Rader, Fishman & Grauer PLLC

(51) **LOC (7) Cl.** ..... **16-01**

(57) **CLAIM**

(52) **U.S. Cl.** ..... **D16/203**; D16/202; D16/205

The ornamental design for a video camera, as shown.

(58) **Field of Search** ..... D16/200–205,  
D16/208, 218; 348/373–376; 358/906; 396/427

**DESCRIPTION**

(56) **References Cited**

FIG. 1 is a perspective view of a video camera showing my new design;

**U.S. PATENT DOCUMENTS**

FIG. 2 is a front elevational view thereof;

3,568,583	A	*	3/1971	Horberg, Jr.	.....	396/427
4,652,930	A	*	3/1987	Crawford	.....	348/374
D303,674	S	*	9/1989	Shimizu et al.	.....	D16/202
D339,598	S	*	9/1993	Shimizu	.....	D16/203
D339,817	S	*	9/1993	Fukuda et al.	.....	D16/205
D386,196	S	*	11/1997	Ikenaga	.....	D16/202
D418,853	S	*	1/2000	Kubota	.....	D16/203

FIG. 3 is a rear elevational view thereof;

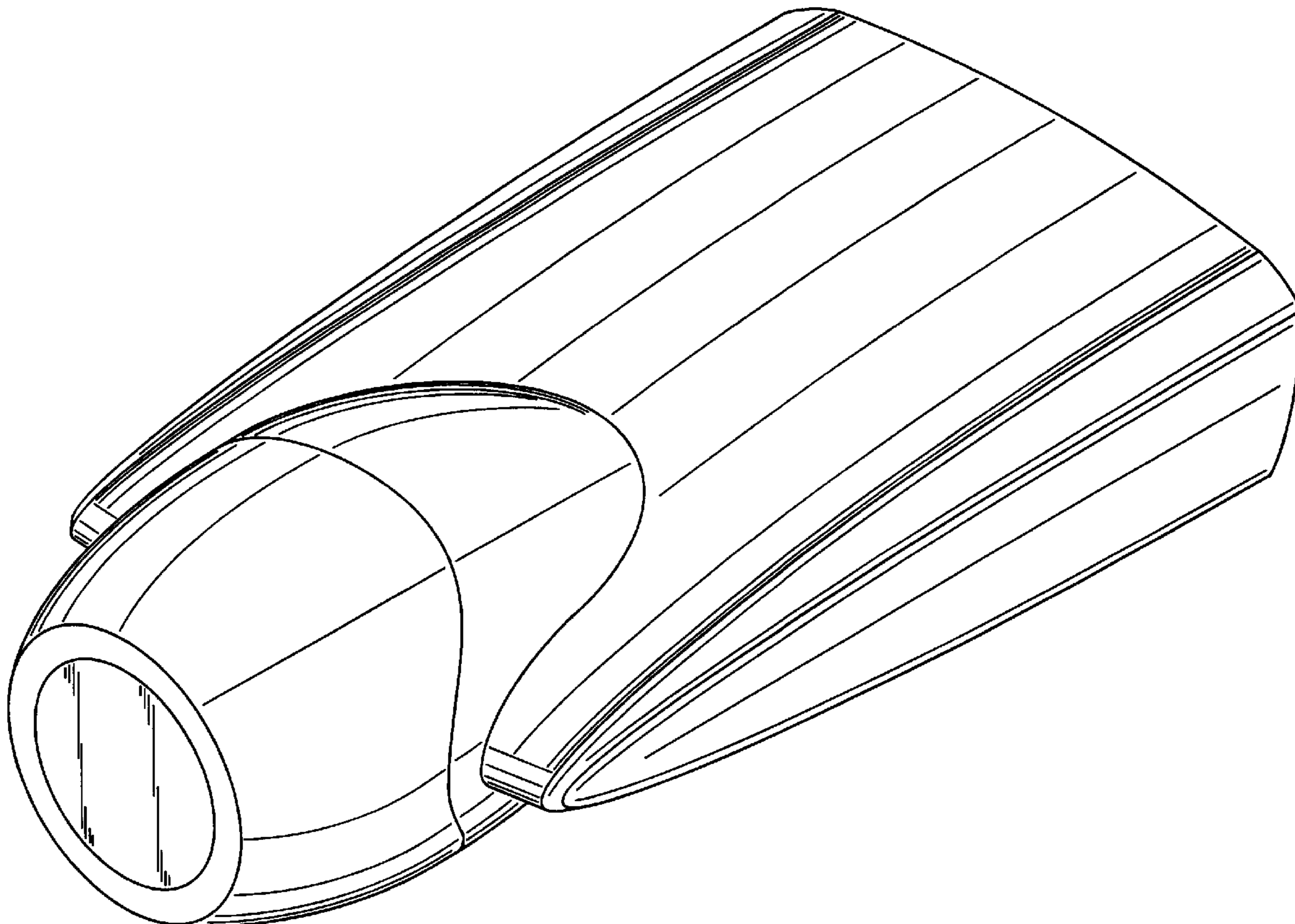
FIG. 4 is a left side elevational view thereof;

FIG. 5 is a right side elevational view thereof;

FIG. 6 is a top plan view thereof; and,

FIG. 7 is a bottom plan view thereof.

**1 Claim, 4 Drawing Sheets**



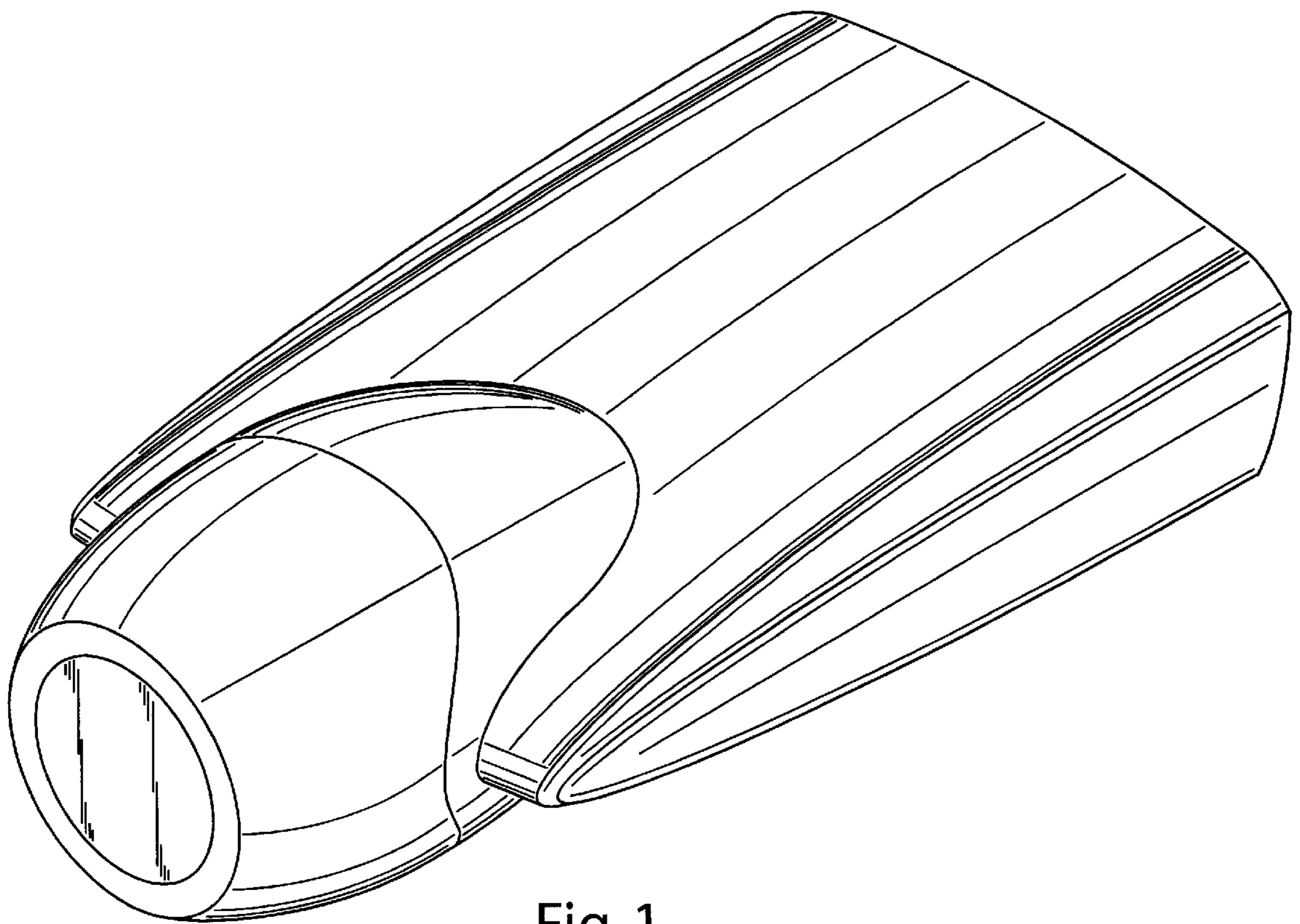


Fig. 1

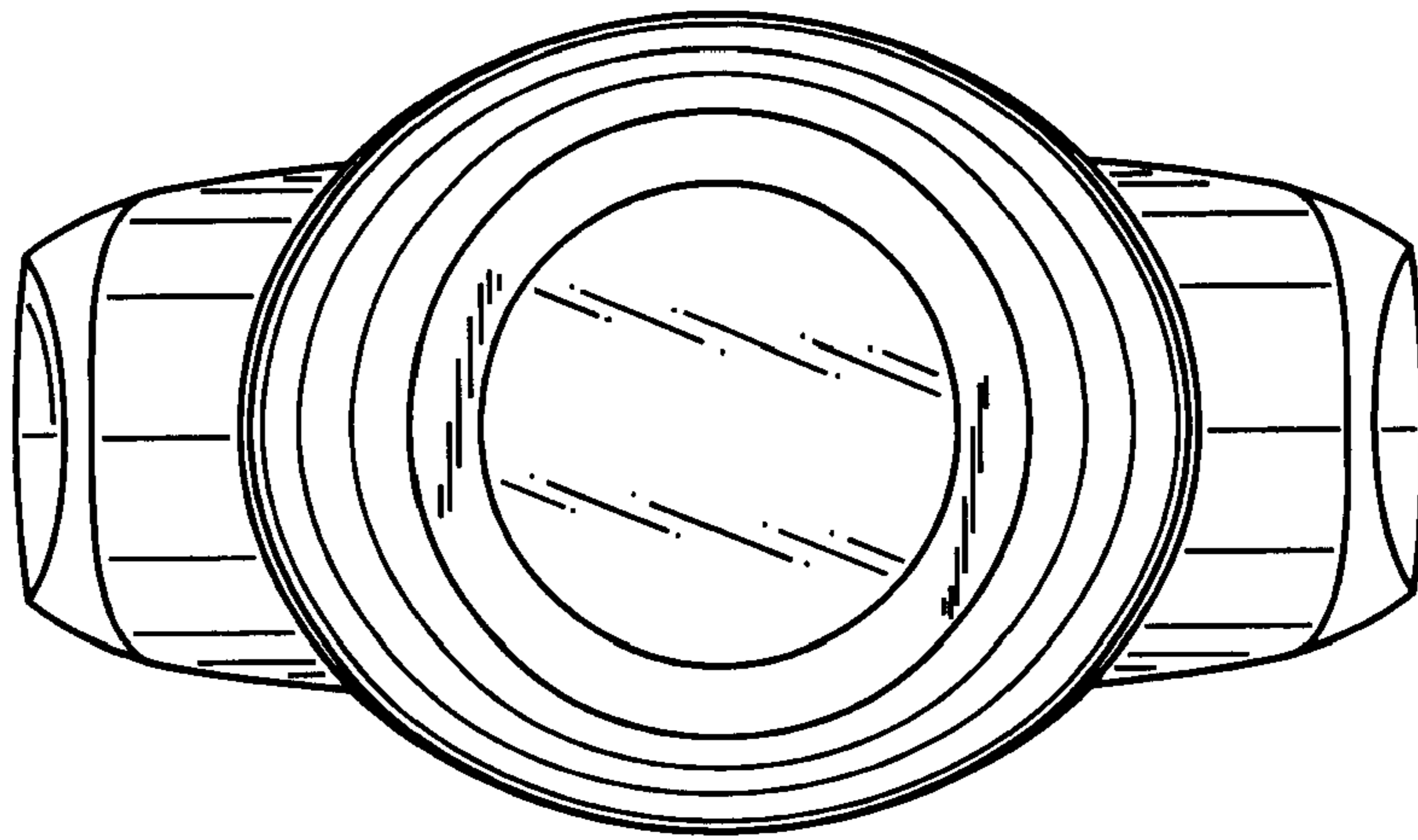


Fig. 2

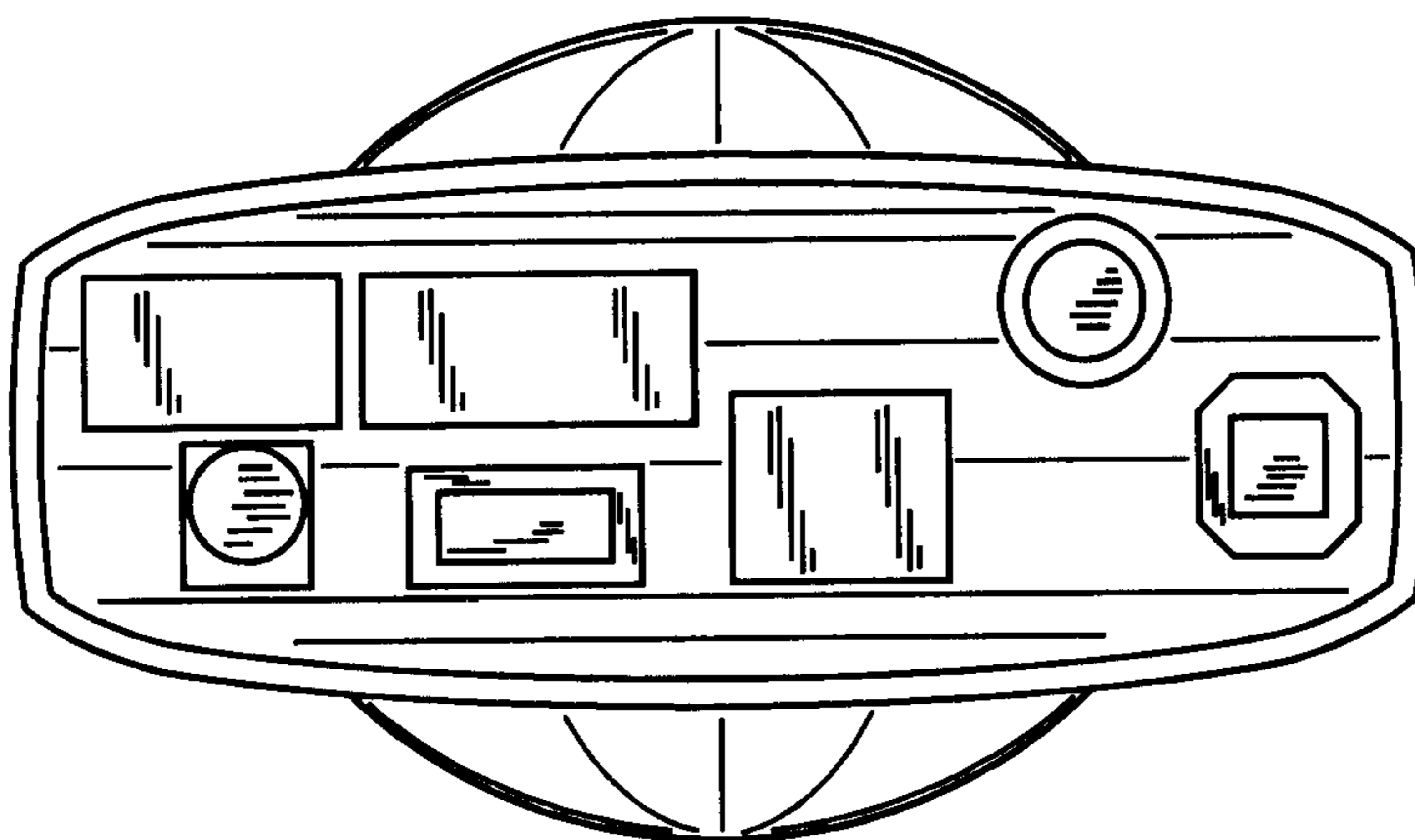


Fig. 3

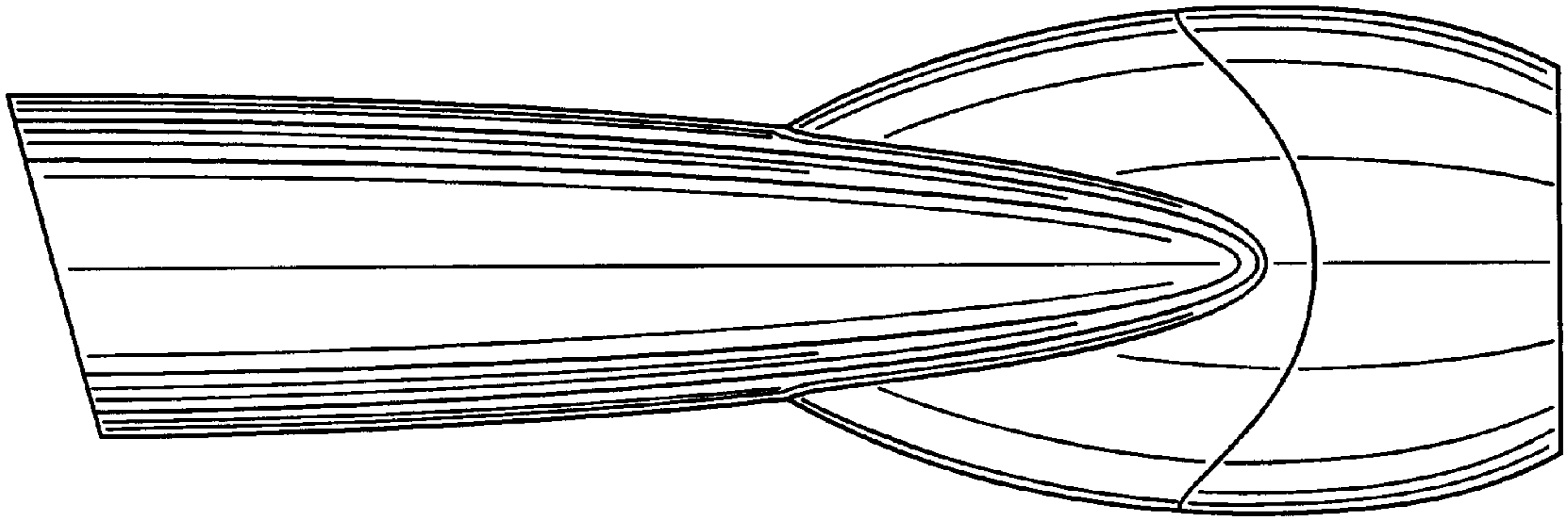


Fig. 4

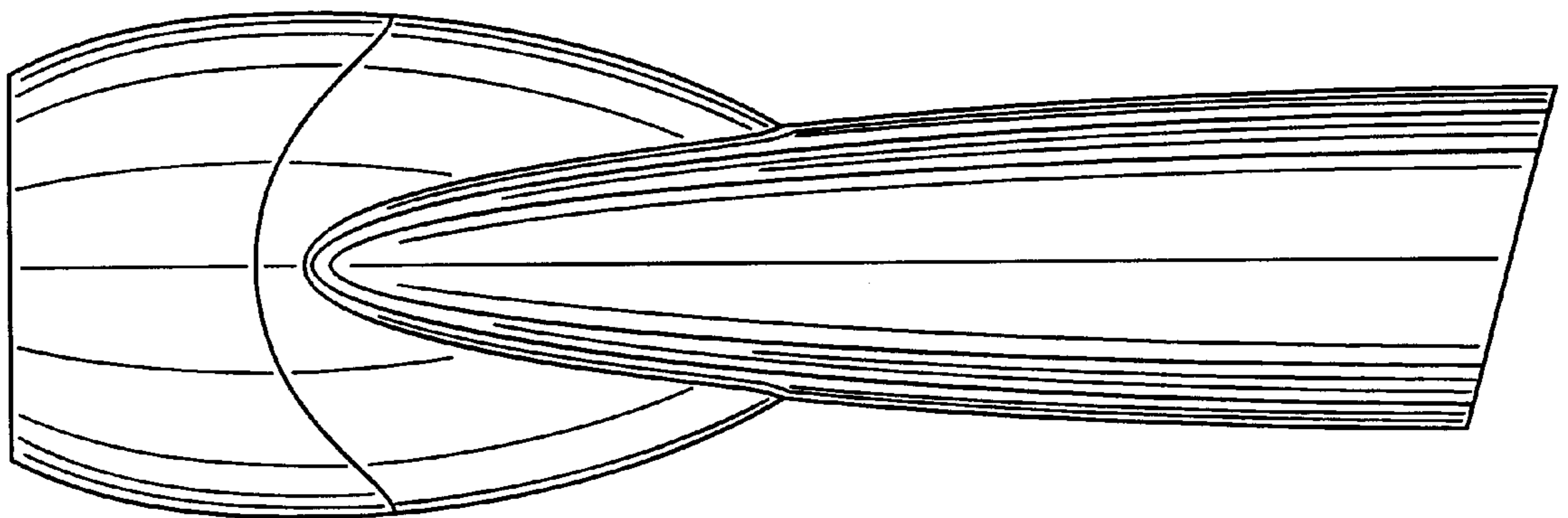


Fig. 5

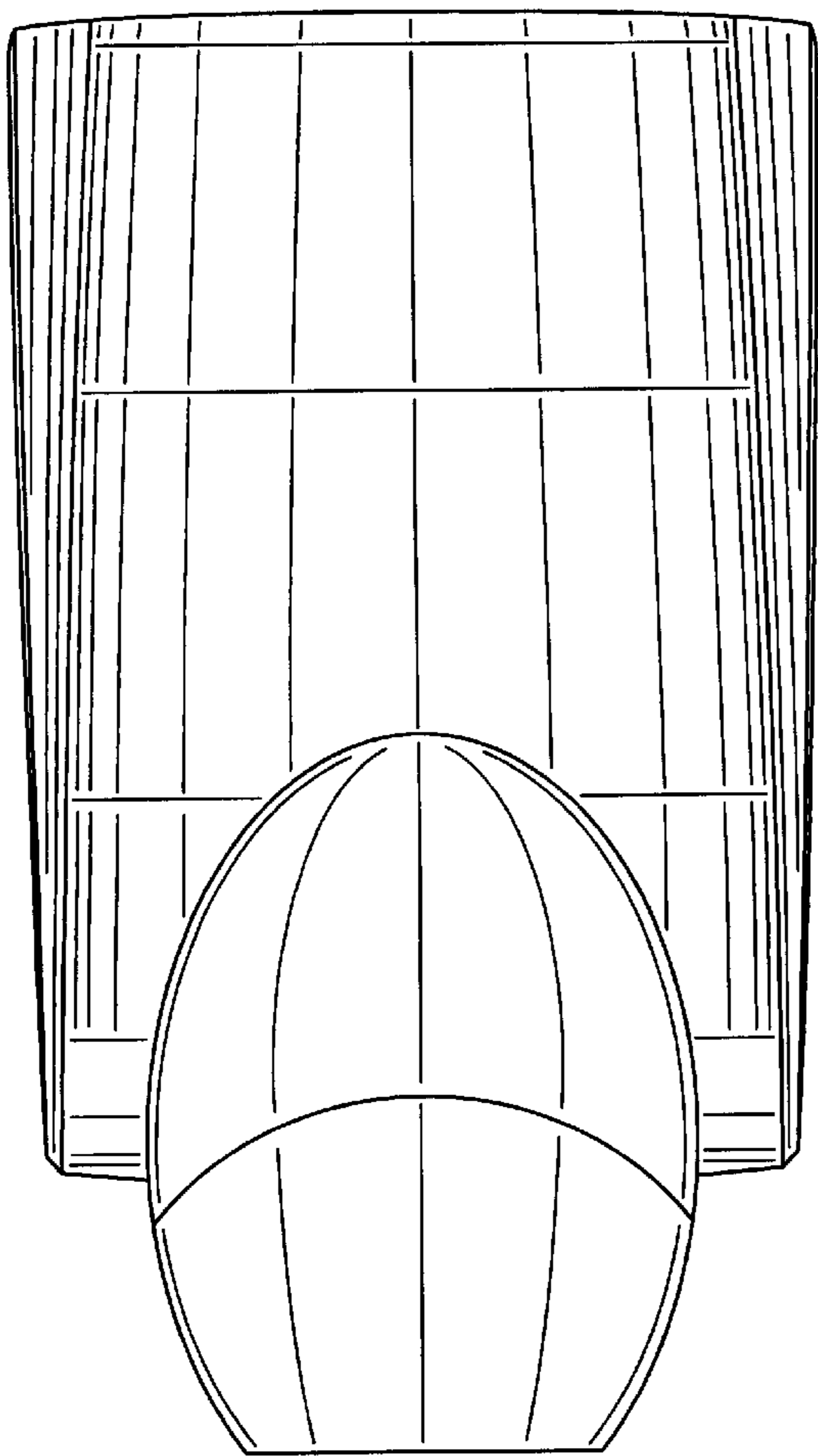


Fig. 6

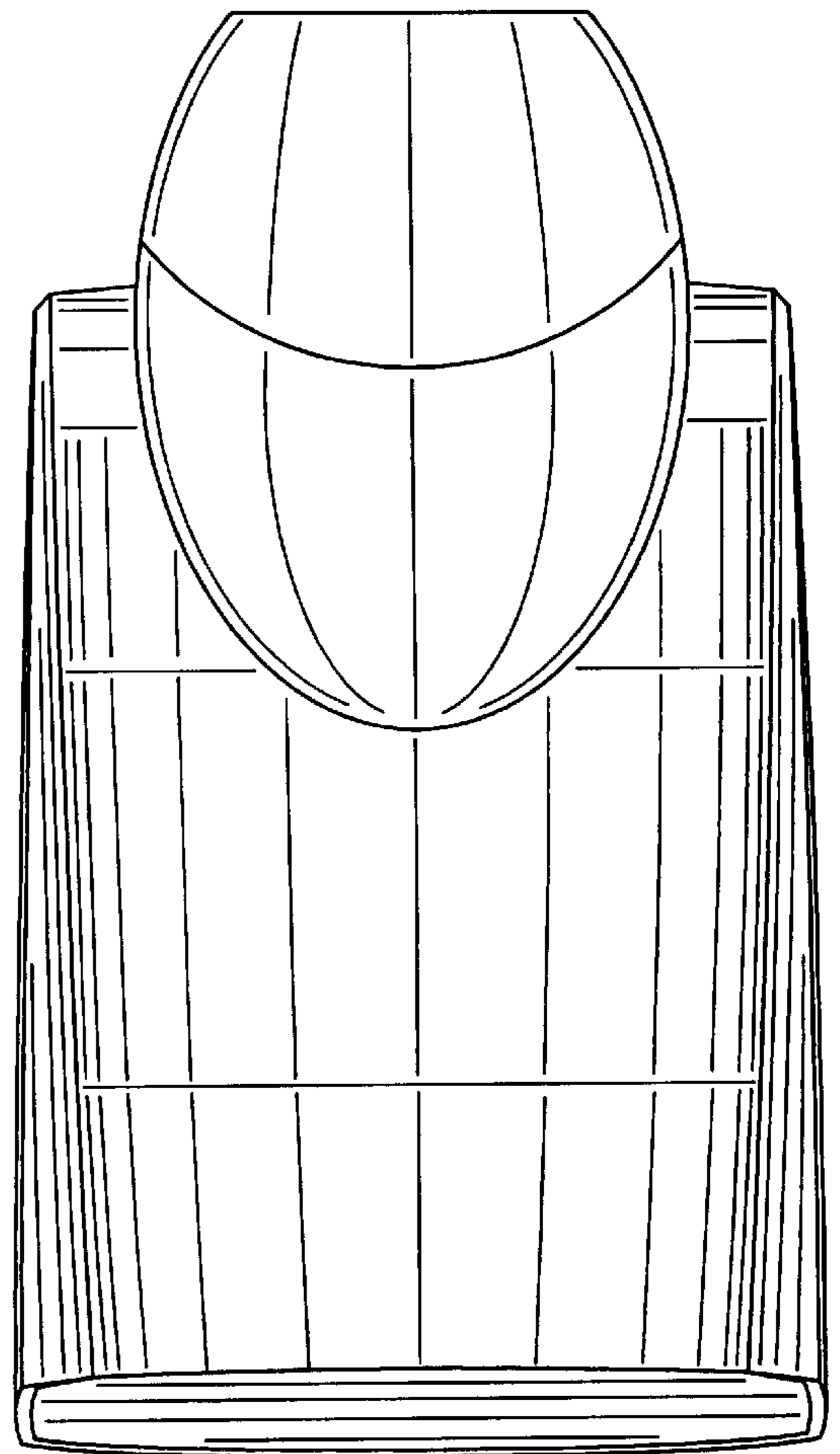


Fig. 7