



US00D474793S

(12) **United States Design Patent**  
**Yoshida**

(10) **Patent No.:** **US D474,793 S**

(45) **Date of Patent:** **\*\* May 20, 2003**

(54) **ELECTRONIC STILL CAMERA**

2002/0012066 A1 \* 1/2002 Nagai ..... 348/373

(75) Inventor: **Koji Yoshida**, Tokyo (JP)

**OTHER PUBLICATIONS**

(73) Assignee: **Fuji Photo Film Co., Ltd.**, Kanagawa (JP)

U.S. design application Ser. No. 29/155,877, Tanaka, filed Feb. 21, 2002.

(\*\*) Term: **14 Years**

\* cited by examiner

(21) Appl. No.: **29/163,699**

*Primary Examiner*—Adir Aronovich

(22) Filed: **Jul. 11, 2002**

(74) *Attorney, Agent, or Firm*—Young & Thompson

(30) **Foreign Application Priority Data**

(57) **CLAIM**

Jan. 21, 2002 (JP) ..... 2002-001166

The ornamental design for an electronic still camera, as shown and described.

(51) **LOC (7) Cl.** ..... **16-01**

**DESCRIPTION**

(52) **U.S. Cl.** ..... **D16/202**; D16/206

(58) **Field of Search** ..... D16/200–206,  
D16/208, 217, 218; 348/373–376; 358/906,  
909.1; 396/535–541

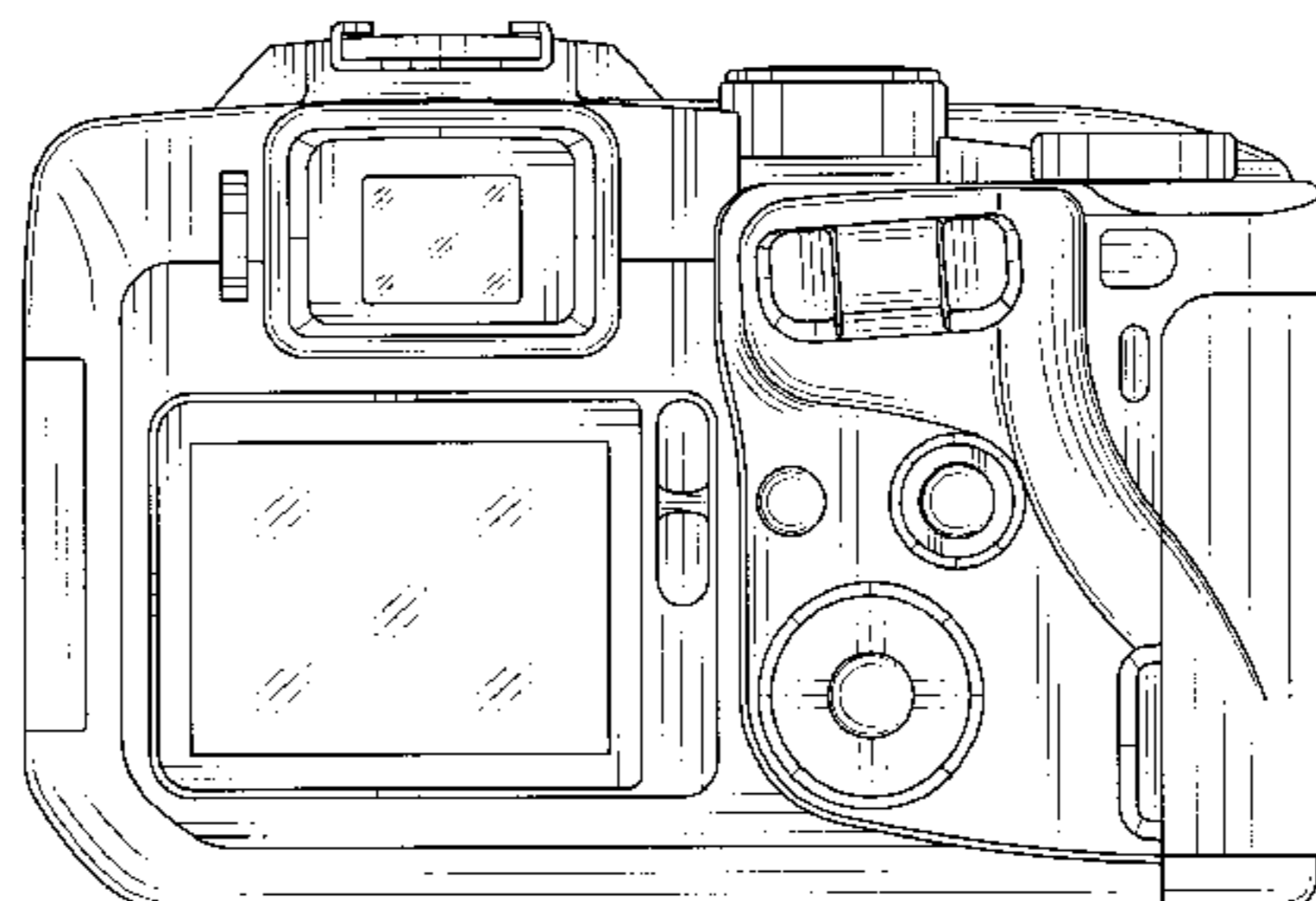
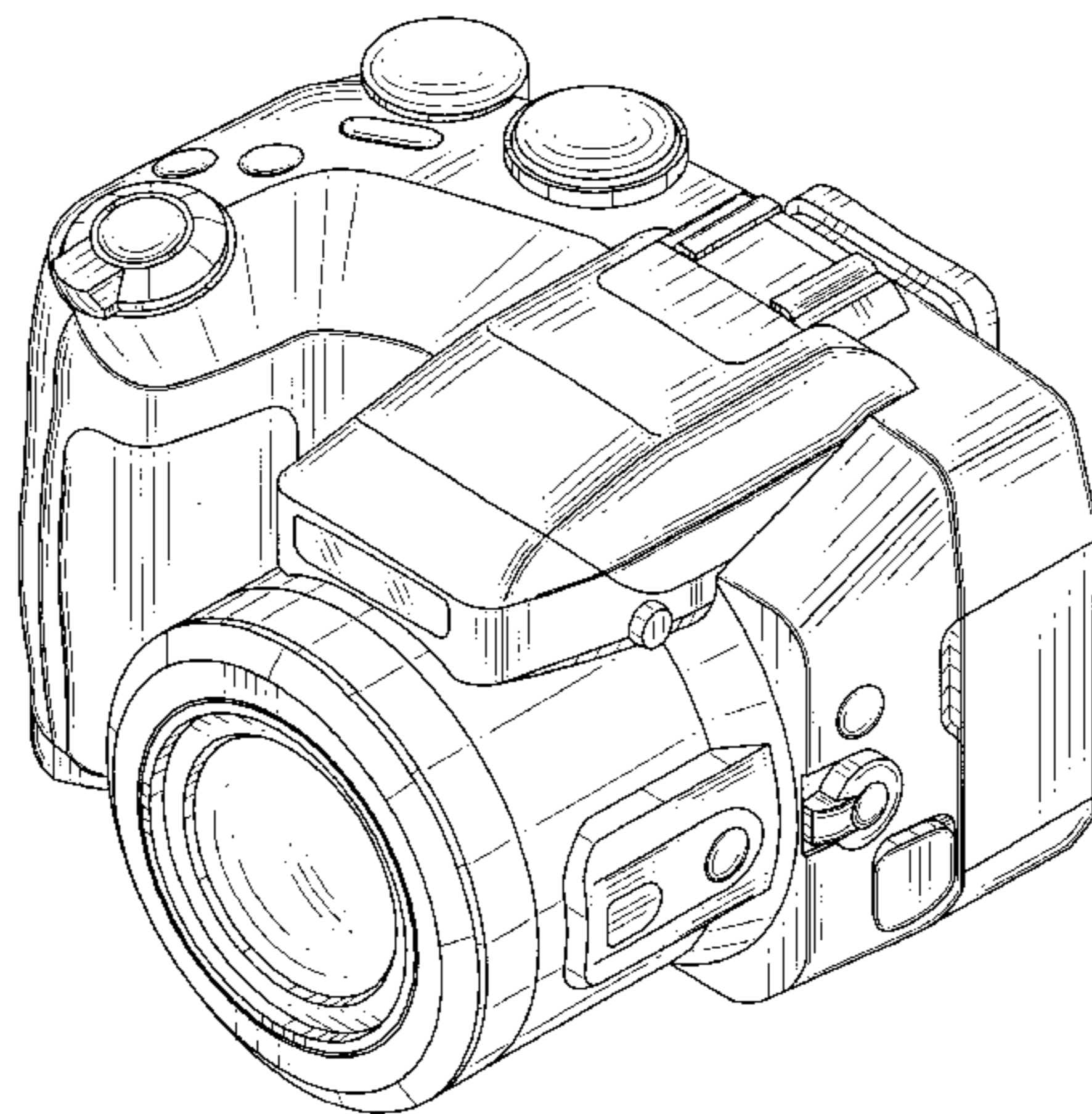
FIG. 1 is a front, top side perspective view of an electronic still camera showing my new design;  
FIG. 2 is a front elevational view thereof;  
FIG. 3 is a rear elevational view thereof;  
FIG. 4 is a top plan view thereof;  
FIG. 5 is a bottom plan view thereof;  
FIG. 6 is a side elevational view thereof from the right of FIG. 2;  
FIG. 7 is a side elevational view thereof from the left of FIG. 2;  
FIG. 8 is a front, top side perspective view thereof, with the lens retracted; and,  
FIG. 9 is a right side elevational view thereof, with a lens retracted and a flash unit in an open position.

(56) **References Cited**

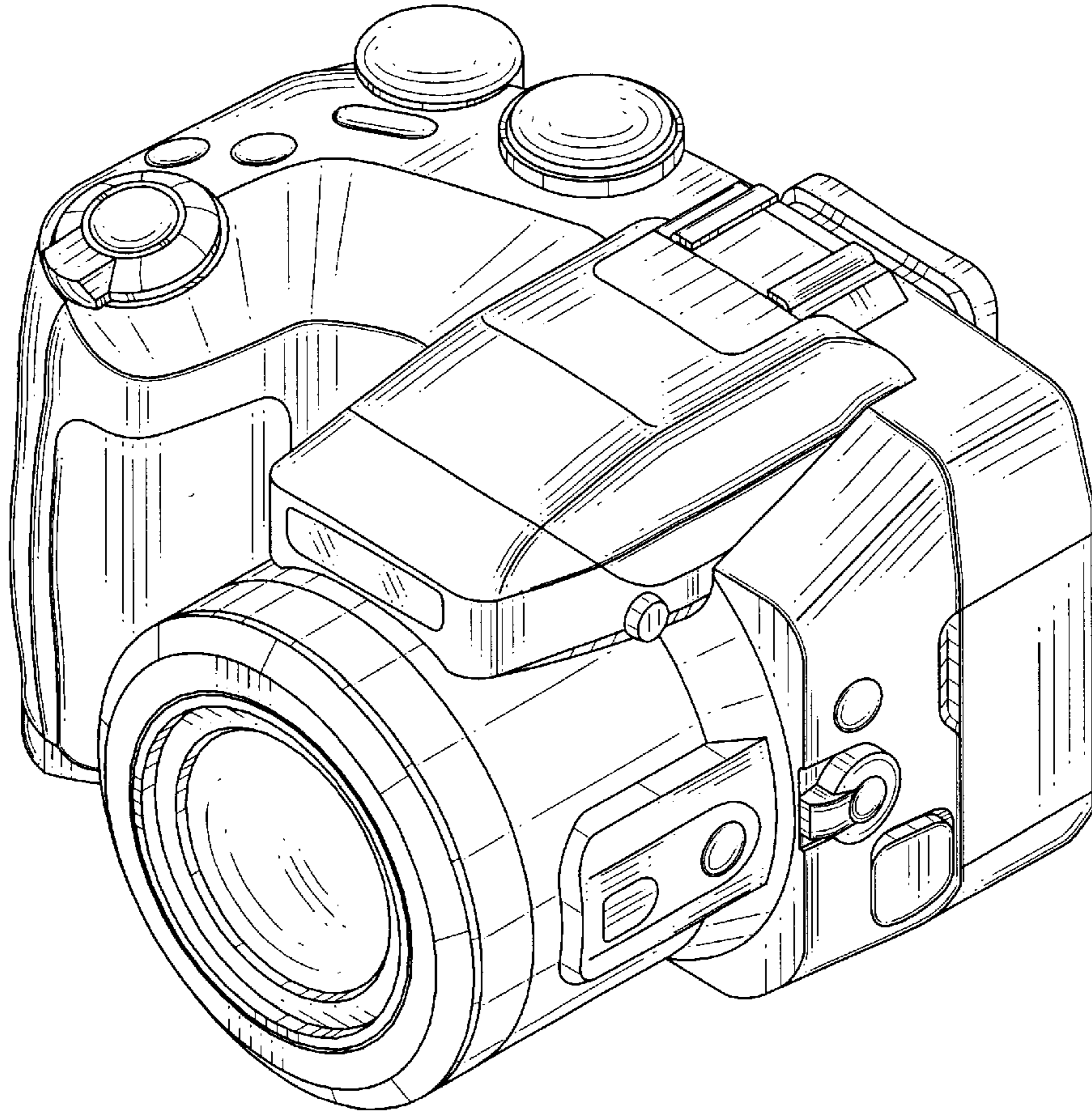
**U.S. PATENT DOCUMENTS**

D387,079 S	*	12/1997	Horikiri	.....	D16/217
D397,707 S	*	9/1998	Naitou	.....	D16/202
D408,040 S	*	4/1999	Miyahara	.....	D16/202
D425,095 S	*	5/2000	Watarai et al.	.....	D16/217
D441,778 S	*	5/2001	Funakoshi	.....	D16/202
D444,163 S		6/2001	Yoshida	.....	D16/202
D447,500 S		9/2001	Funato	.....	D16/202
D456,035 S	*	4/2002	Yamazaki et al.	.....	D16/202

**1 Claim, 5 Drawing Sheets**



F I G . 1



F I G . 2

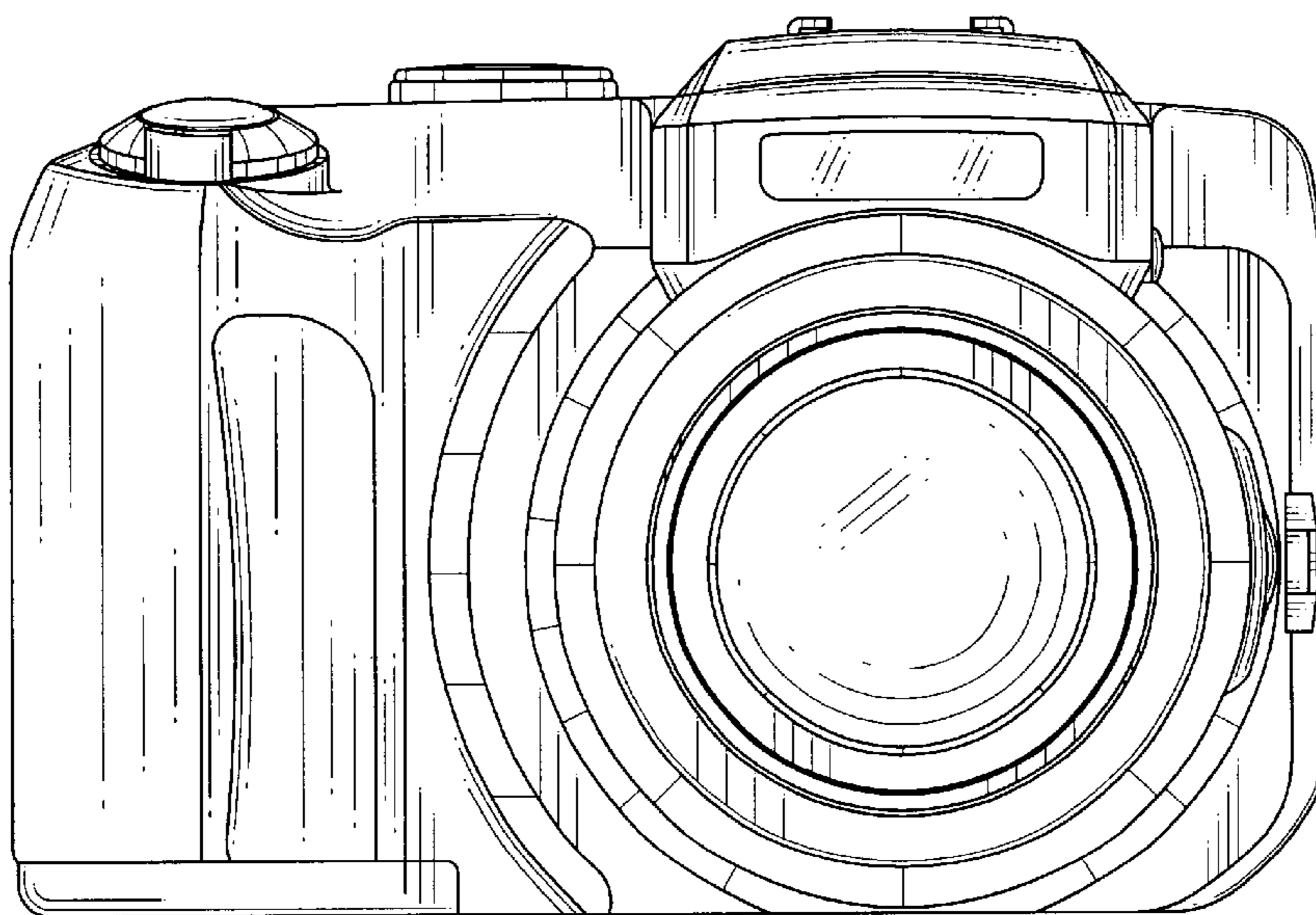


FIG. 3

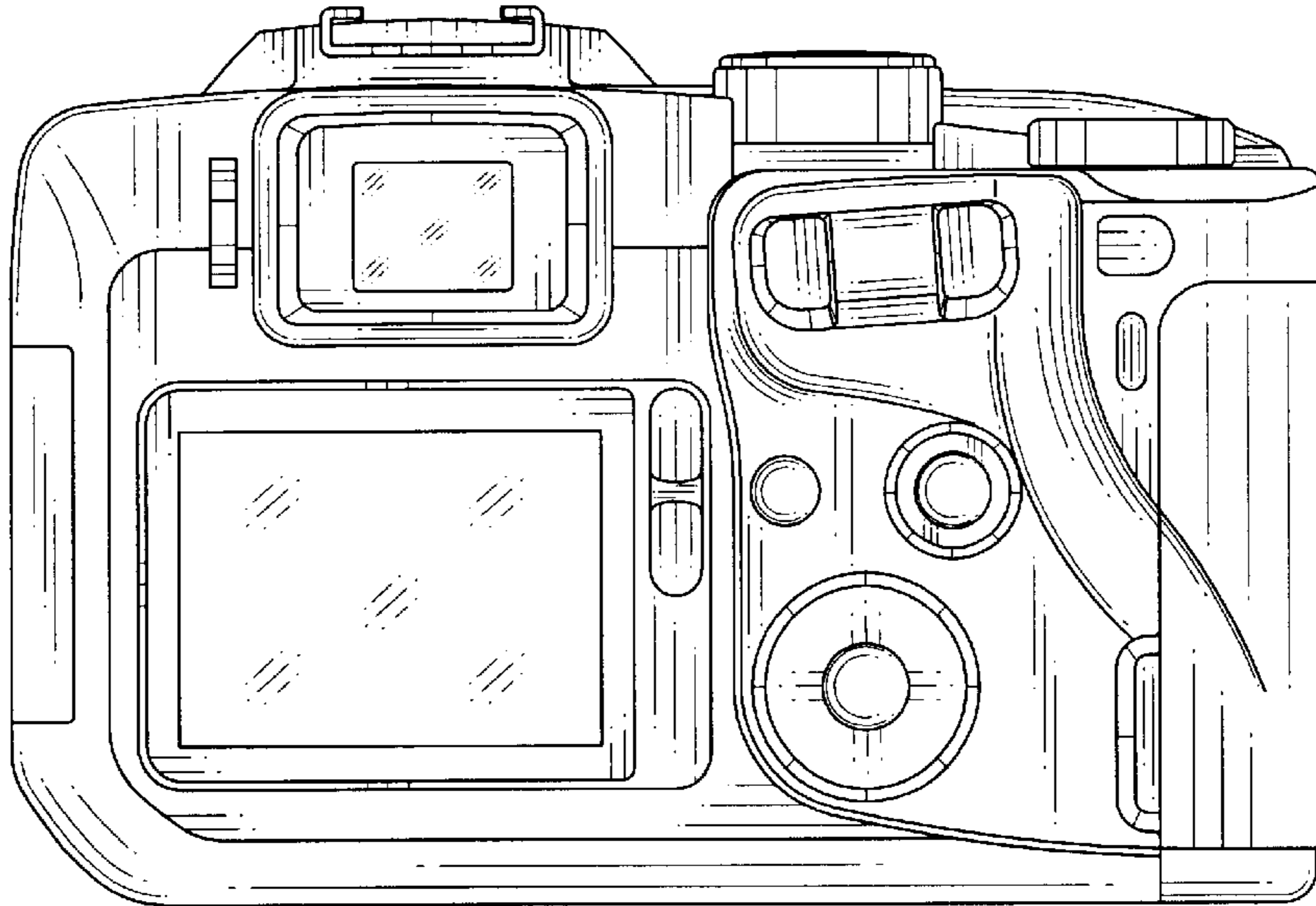


FIG. 4

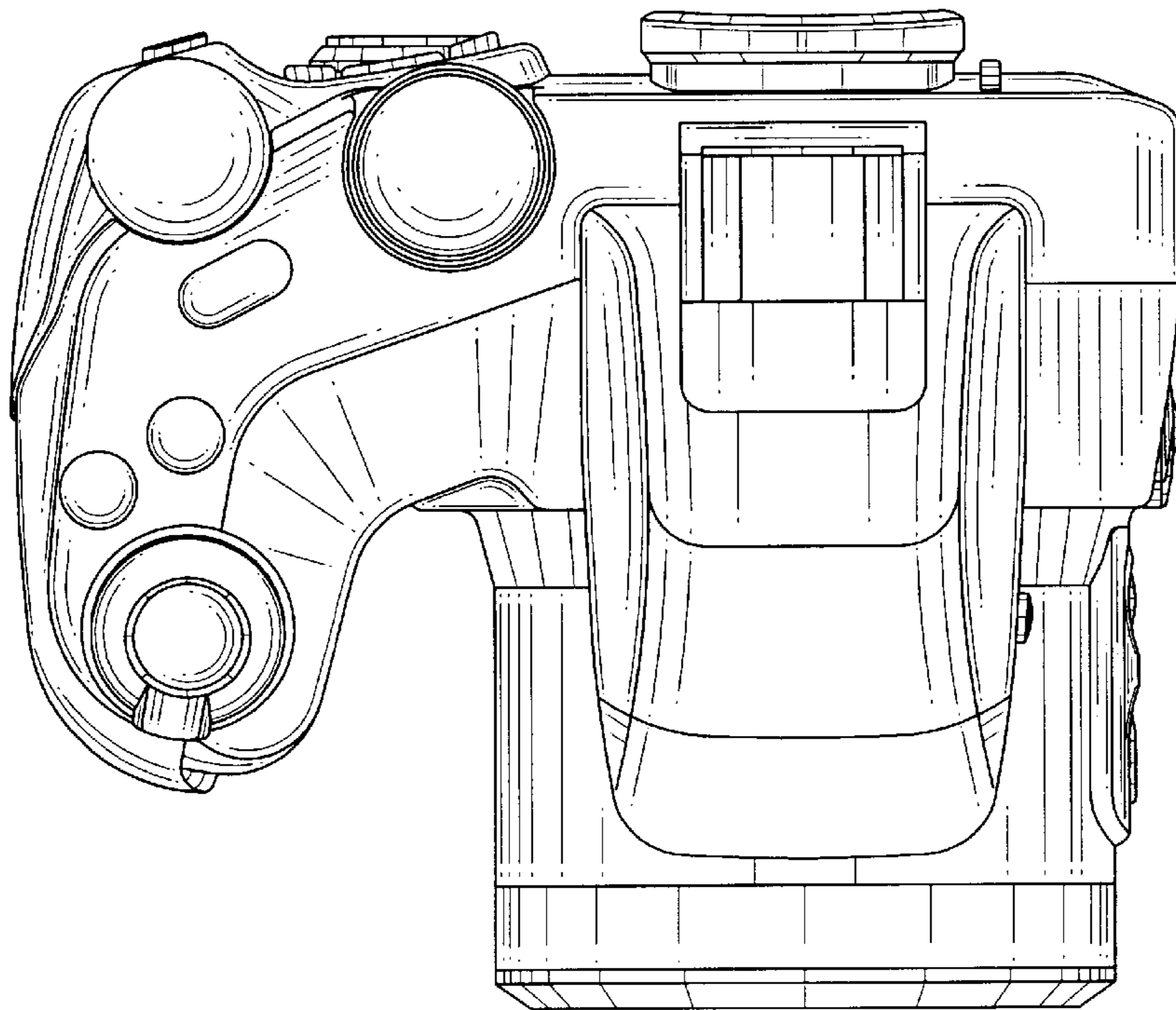


FIG. 5

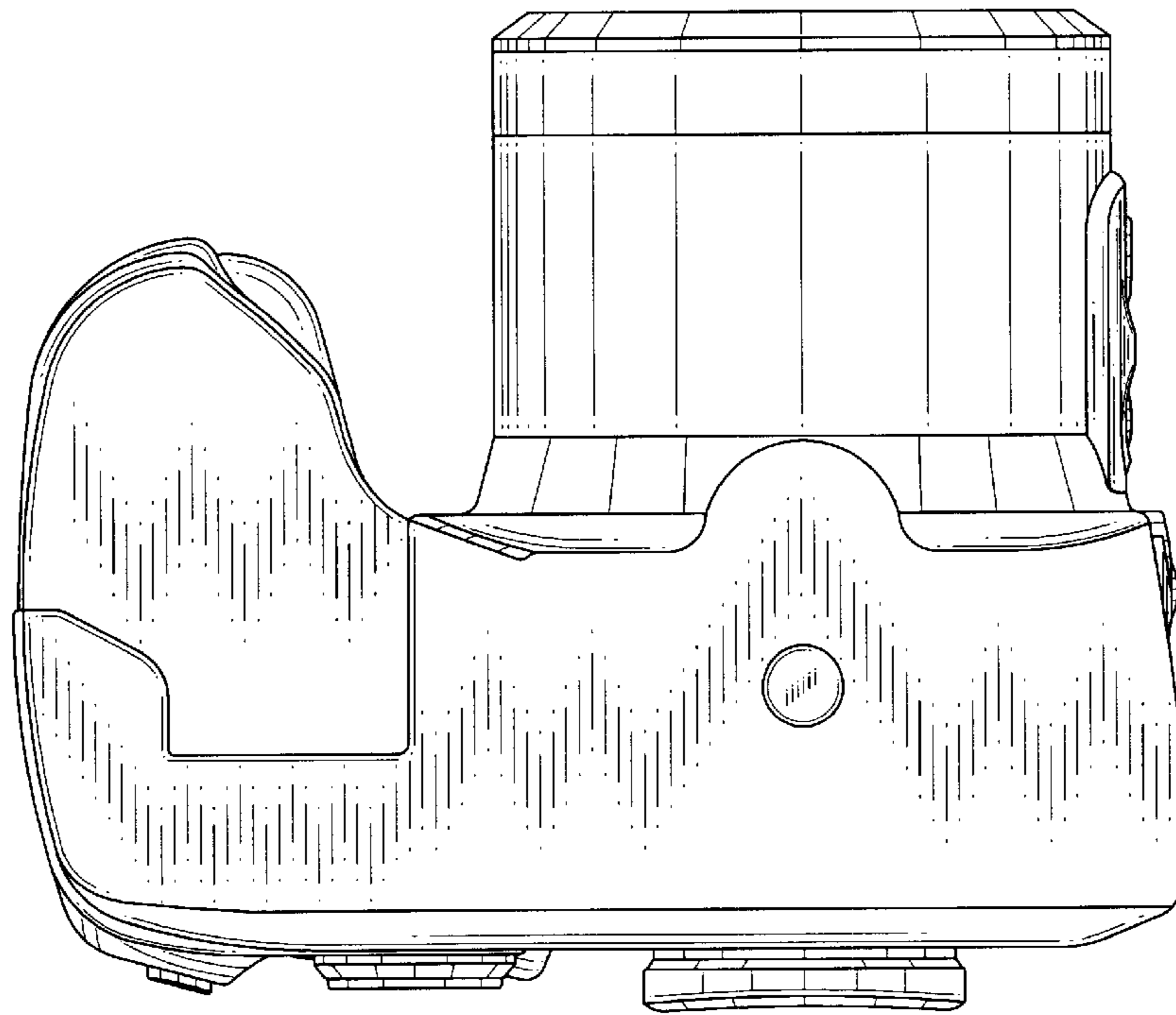


FIG. 6

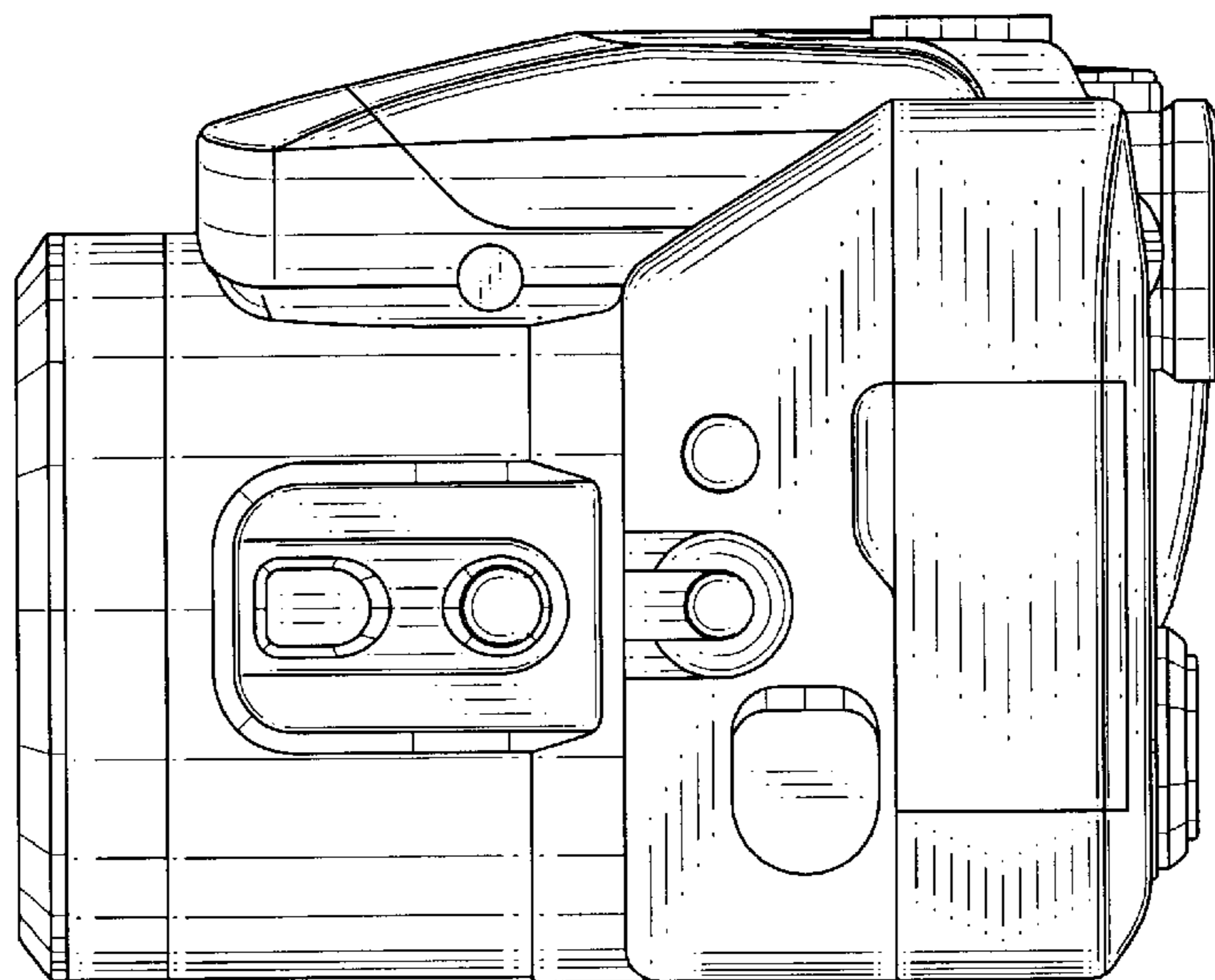


FIG. 7

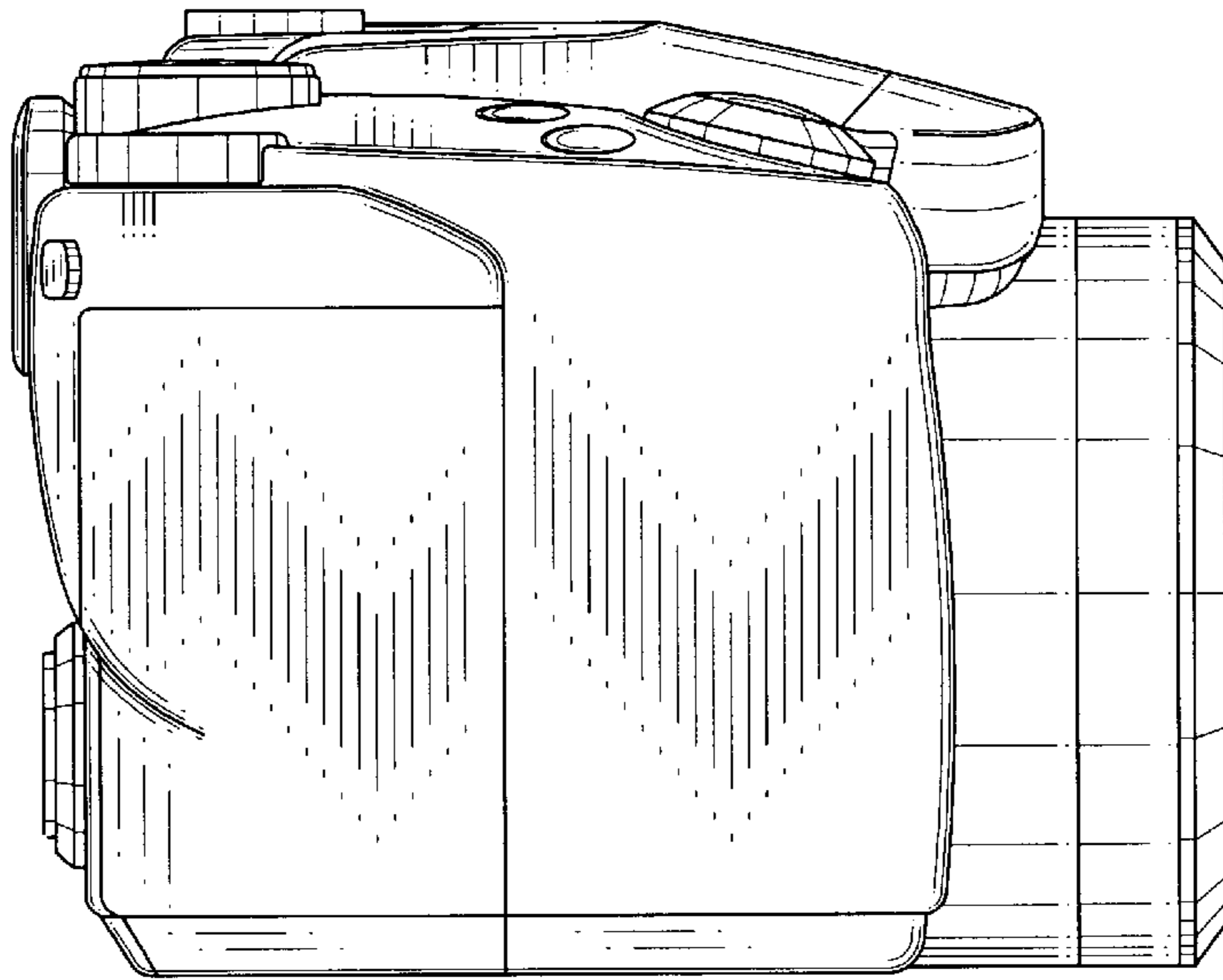
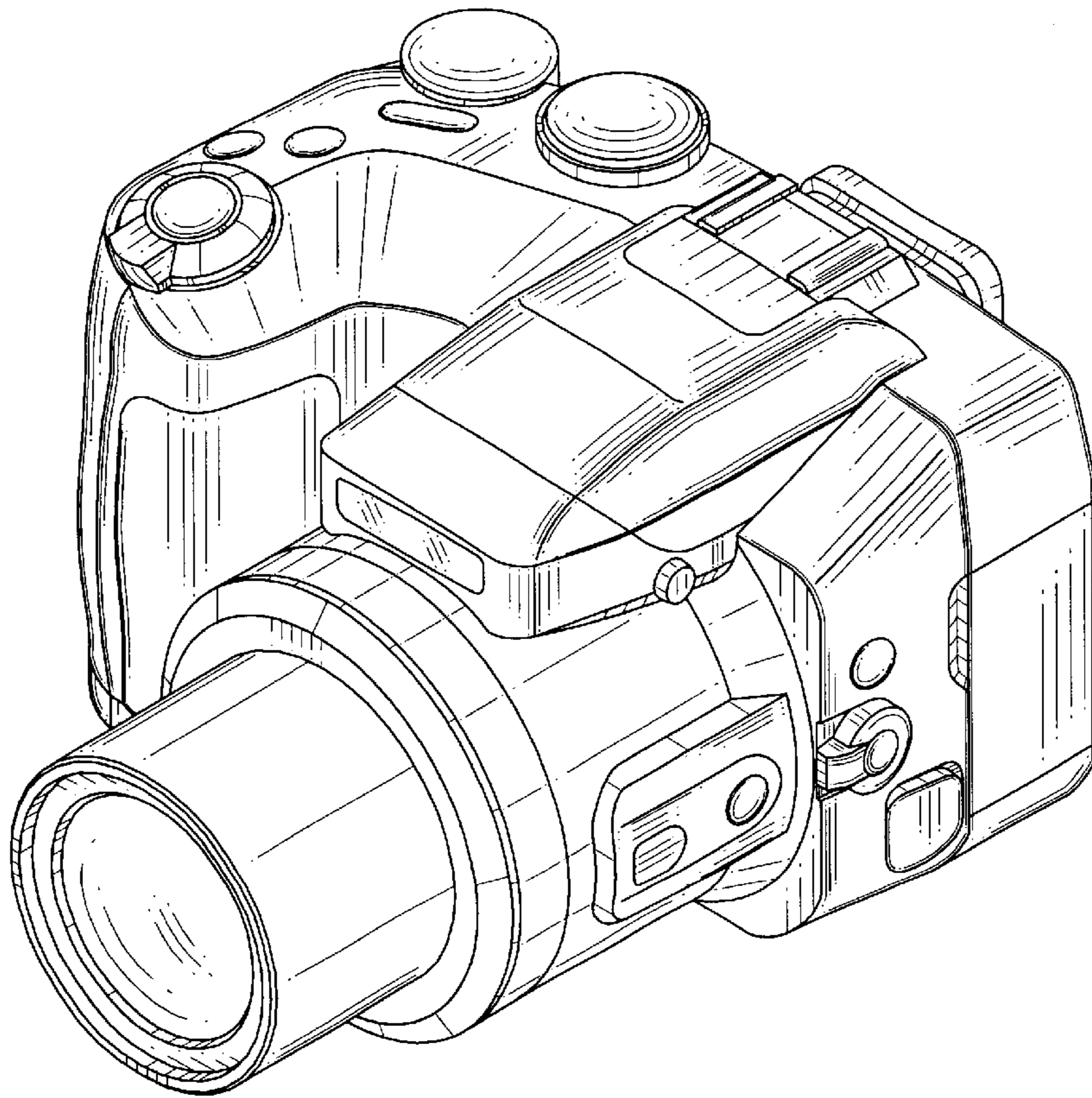


FIG. 8



F I G . 9

