



US00D474791S

(12) **United States Design Patent**
Hussaini et al.

(10) **Patent No.:** **US D474,791 S**

(45) **Date of Patent:** **** May 20, 2003**

(54) **LIGHT AND MAGNIFIER FOR HANDHELD GAME**

Primary Examiner—Paula A. Mortimer
(74) *Attorney, Agent, or Firm*—Liniak, Berenato & White

(75) **Inventors:** **Saied Hussaini**, Miami, FL (US); **Marc Iacovelli**, Miami, FL (US)

(57) **CLAIM**

The ornamental design for a light and magnifier for handheld game, as shown and described.

(73) **Assignee:** **Intec, Inc.**, Miami, FL (US)

(**) **Term:** **14 Years**

DESCRIPTION

(21) **Appl. No.:** **29/163,531**

FIG. 1 is a front view of the light and magnifier for a handheld game according to the present invention showing the magnifier in an upwardly pivoted position;

(22) **Filed:** **Jul. 9, 2002**

(51) **LOC (7) Cl.** **16-06**

FIG. 2 is a back view of the light and magnifier for a handheld game of FIG. 1;

(52) **U.S. Cl.** **D16/135**

(58) **Field of Search** D16/130, 135;
362/109; 359/800, 803, 804, 805, 806,
807, 808, 811; 273/148 B; D20/10; D14/449,
450; D26/62; D21/330, 333

FIG. 3 is a top view of the light and magnifier for a handheld game of FIG. 1;

FIG. 4 is a bottom view of the light and magnifier for a handheld game of FIG. 1;

(56) **References Cited**

U.S. PATENT DOCUMENTS

D218,537 S	*	8/1970	Bushon	D16/135
D311,739 S	*	10/1990	De Lucchi	D14/450
4,991,935 A	*	2/1991	Sakurai	359/804
5,117,339 A	*	5/1992	Tortola et al.	362/109
5,130,853 A	*	7/1992	Sakurai	359/803
D334,207 S	*	3/1993	Iaquinto et al.	D16/135
D416,948 S	*	11/1999	Soga	D21/330
D458,644 S	*	6/2002	Yu	D21/333
D462,094 S	*	8/2002	Hussaini et al.	D21/333
D462,395 S	*	9/2002	Hussaini et al.	D21/333
D467,979 S	*	12/2002	Lee	D21/333

FIG. 5 is a front view of the light and magnifier for a handheld game according to FIG. 1 showing the magnifier in a downwardly pivoted position;

FIG. 6 is a right side view of the light and magnifier for a handheld game according to FIG. 1 showing the magnifier in an upwardly pivoted position;

FIG. 7 is a left side view of the light and magnifier for a handheld game according to FIG. 1 showing the magnifier in an upwardly position; and,

FIG. 8 is a top and left elevational perspective view of the light and magnifier of FIG. 1.

* cited by examiner

1 Claim, 5 Drawing Sheets

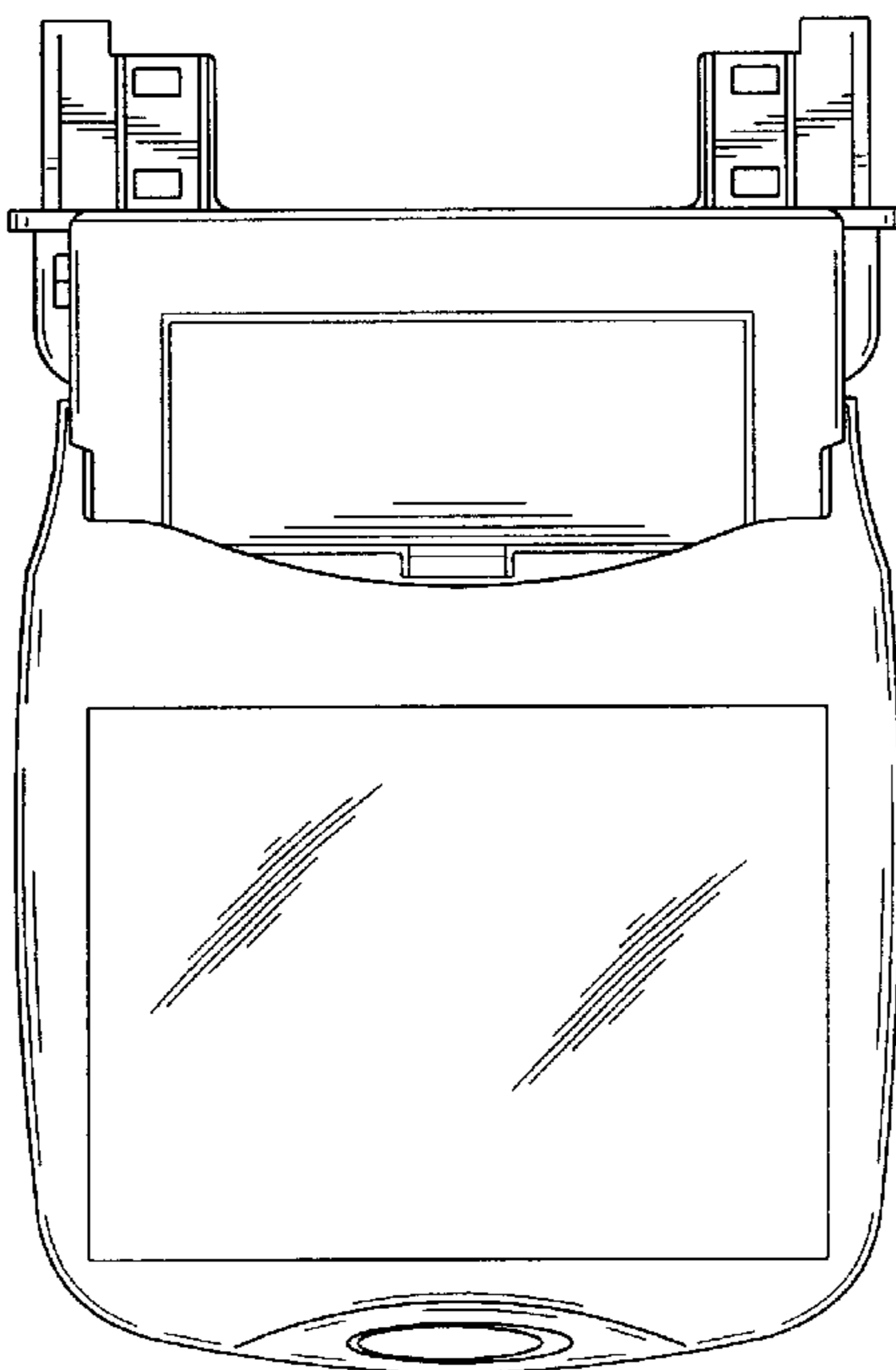


Fig. 2

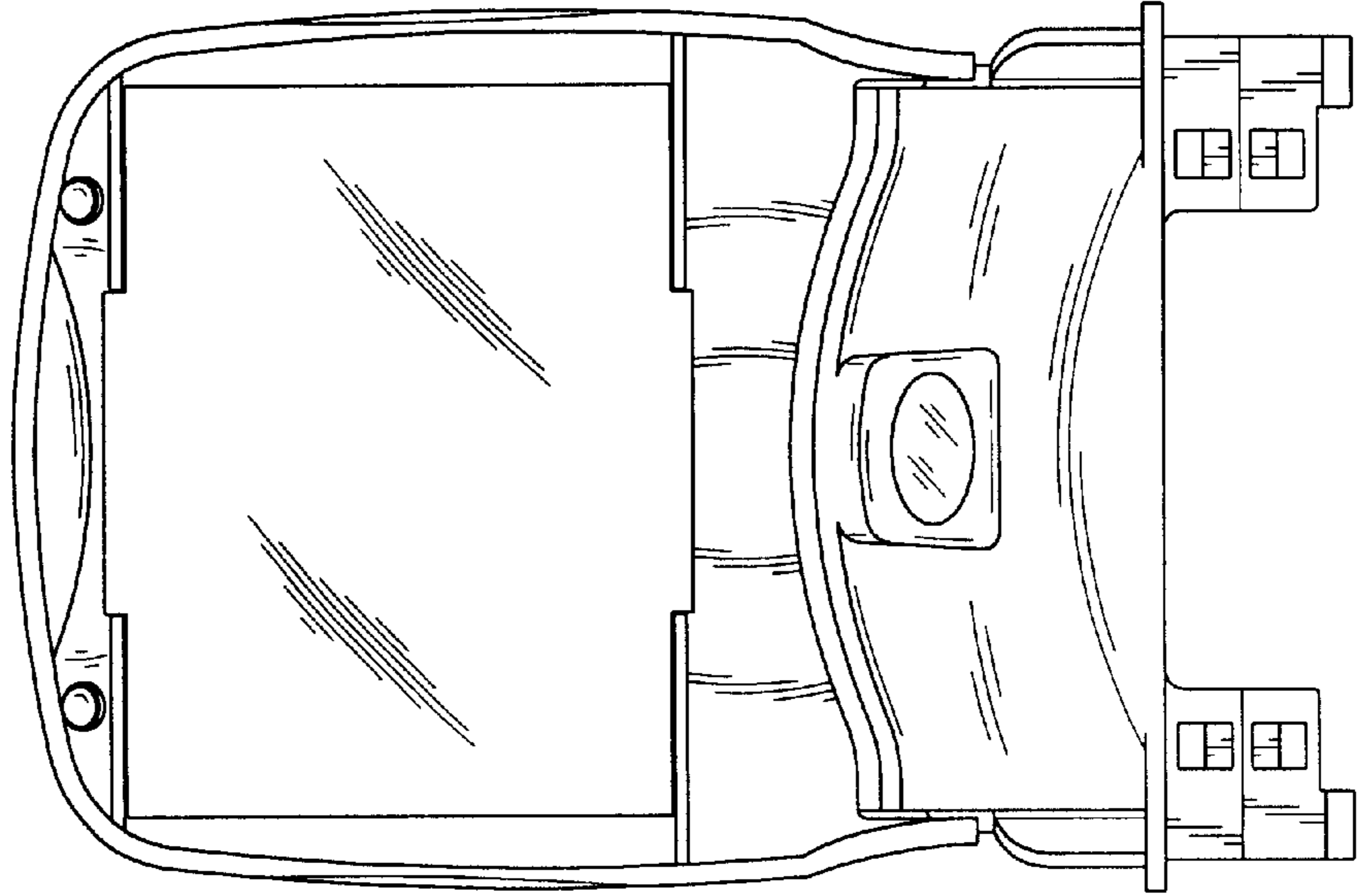


Fig. 1

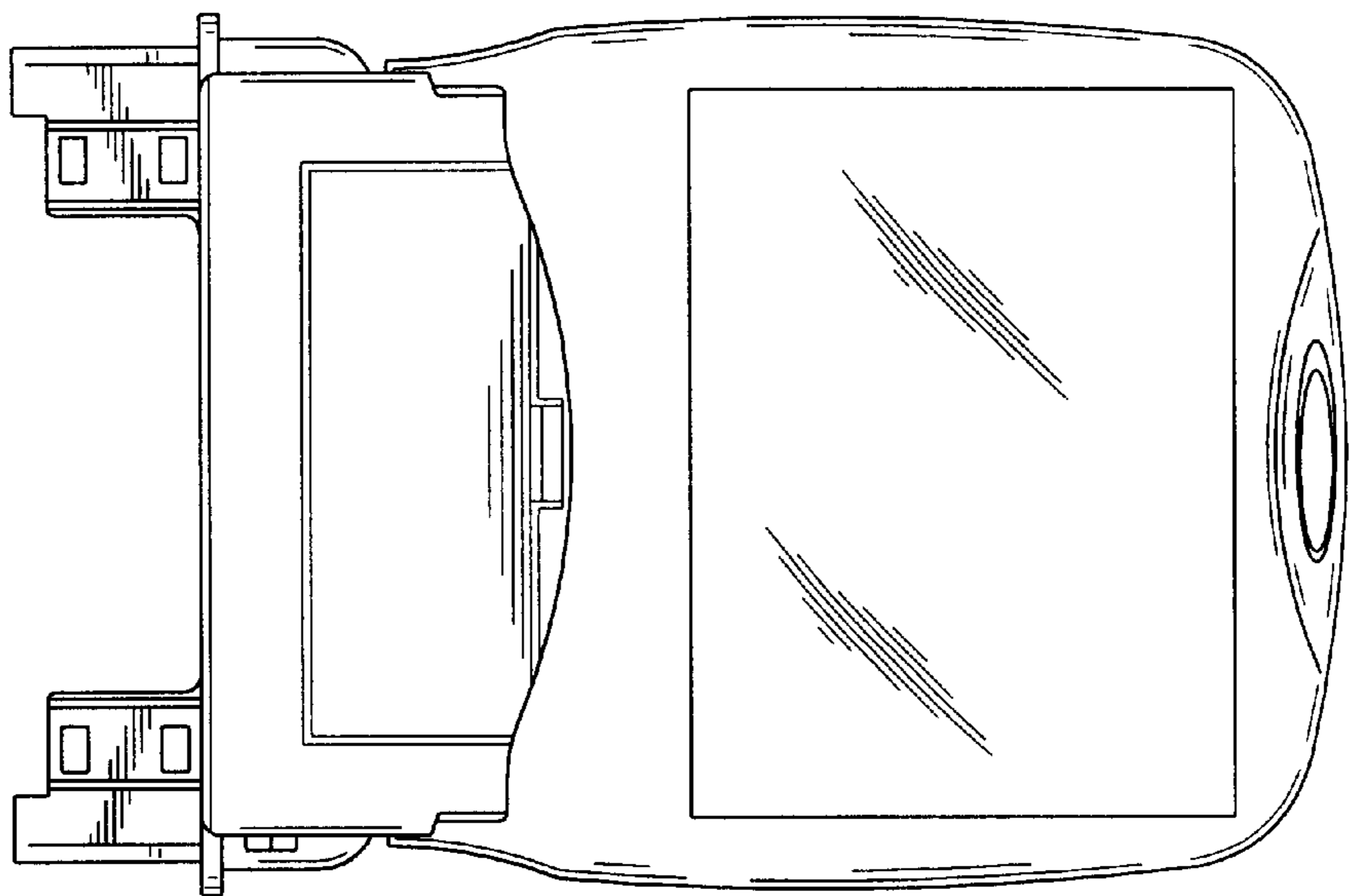


Fig. 4

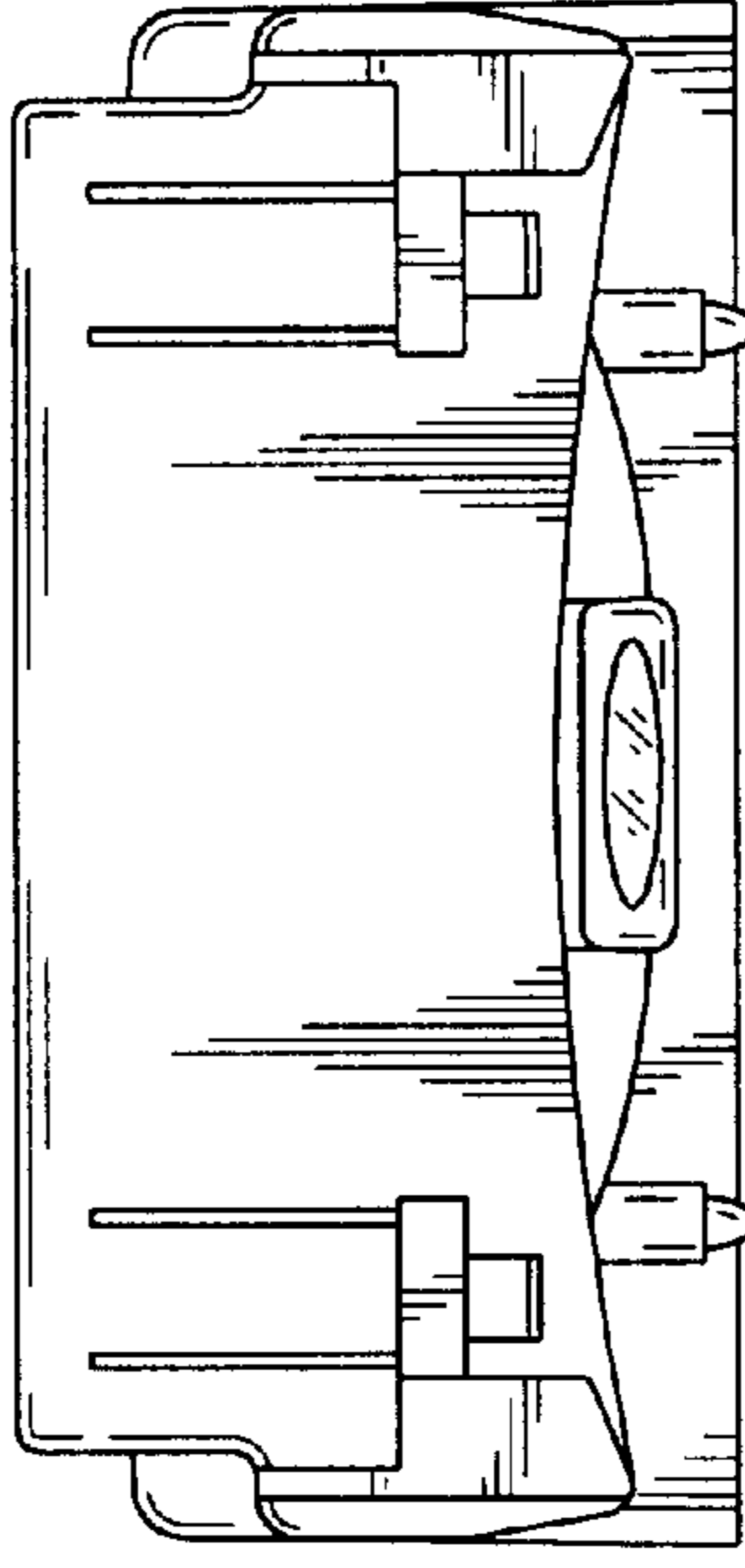


Fig. 3

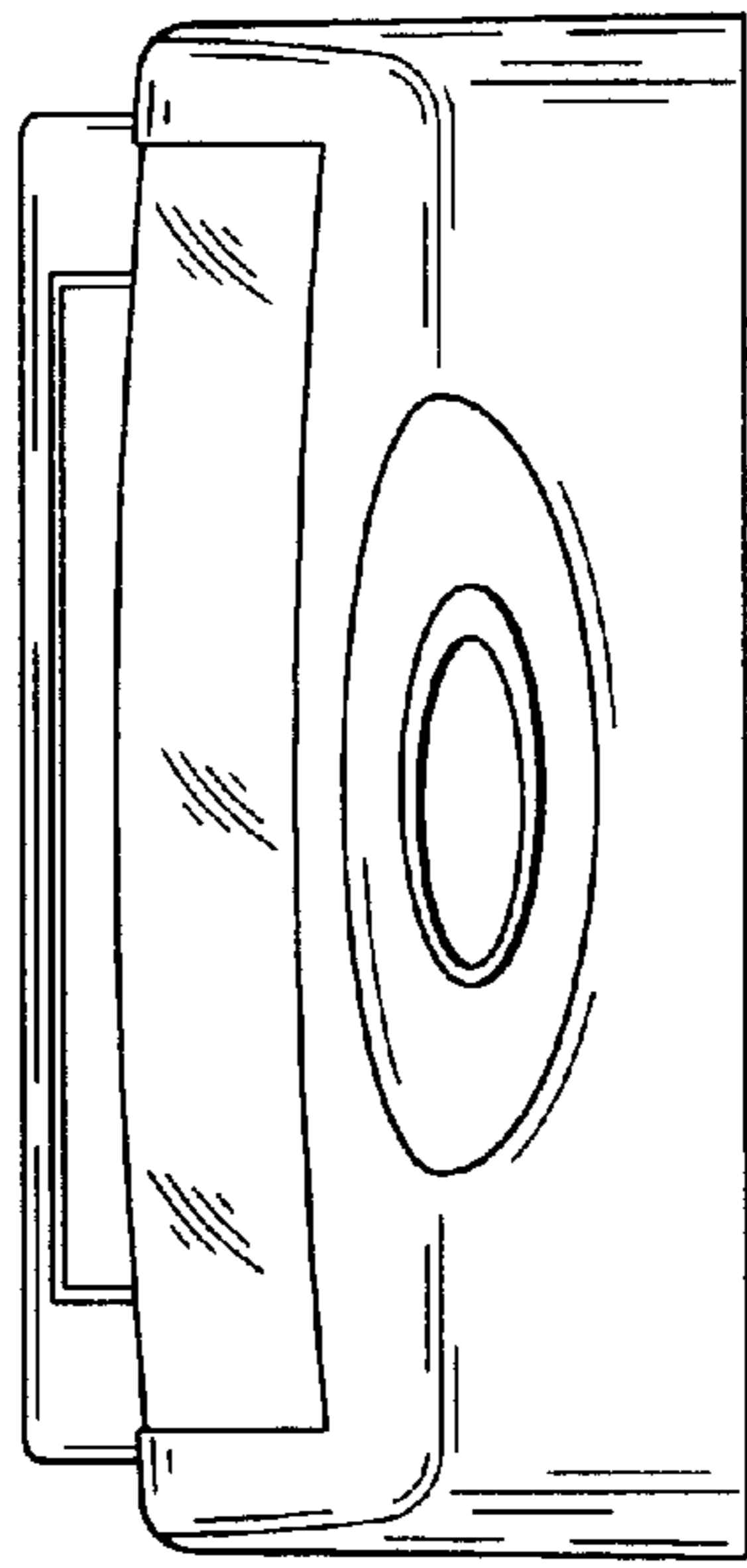


Fig. 5

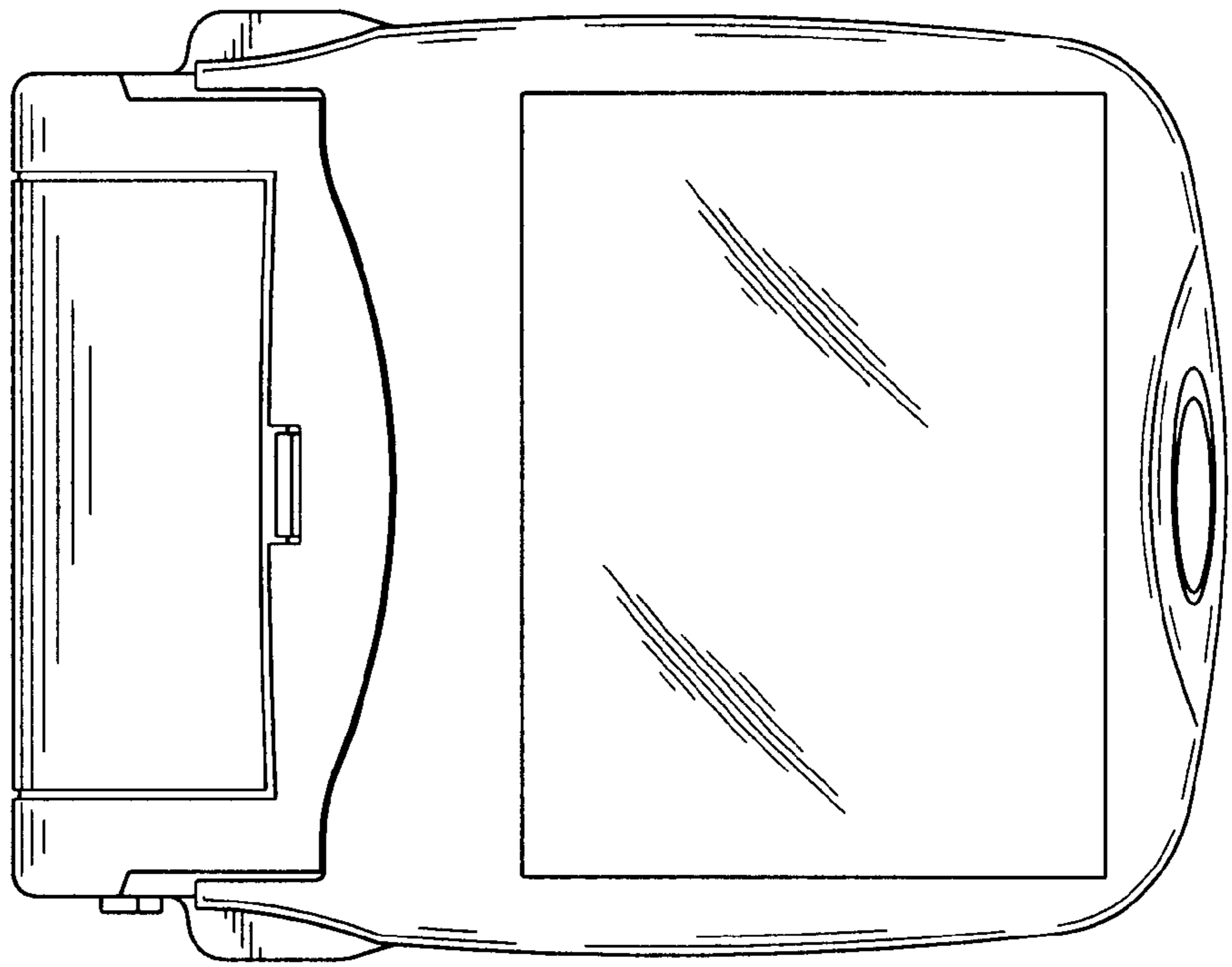


Fig. 7

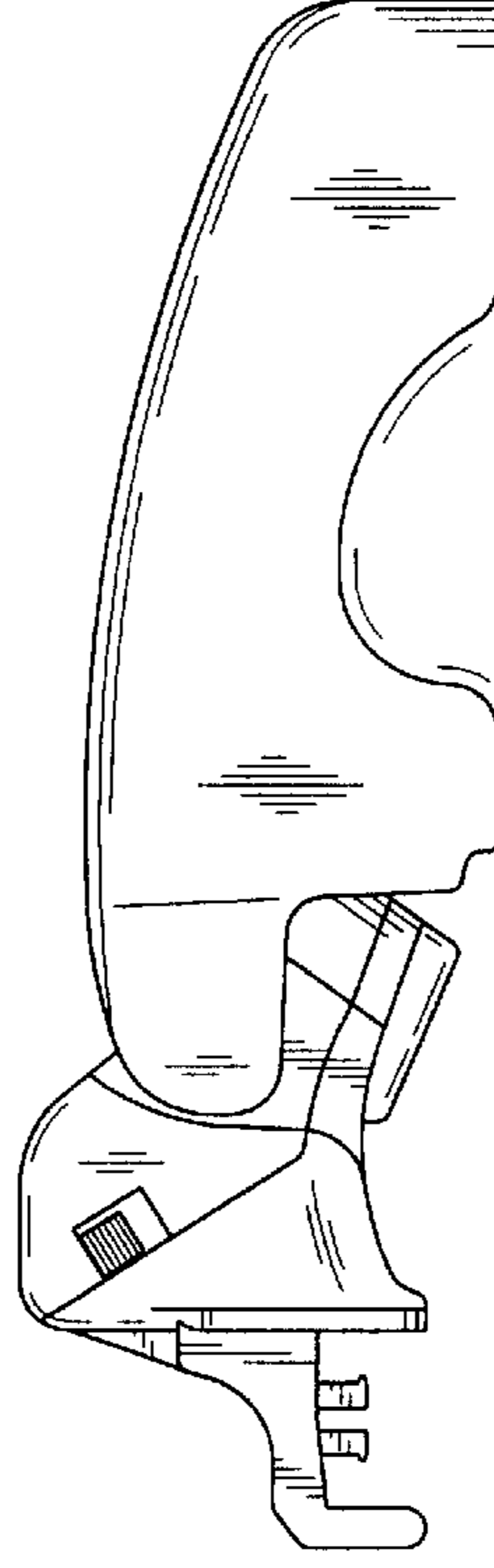


Fig. 6

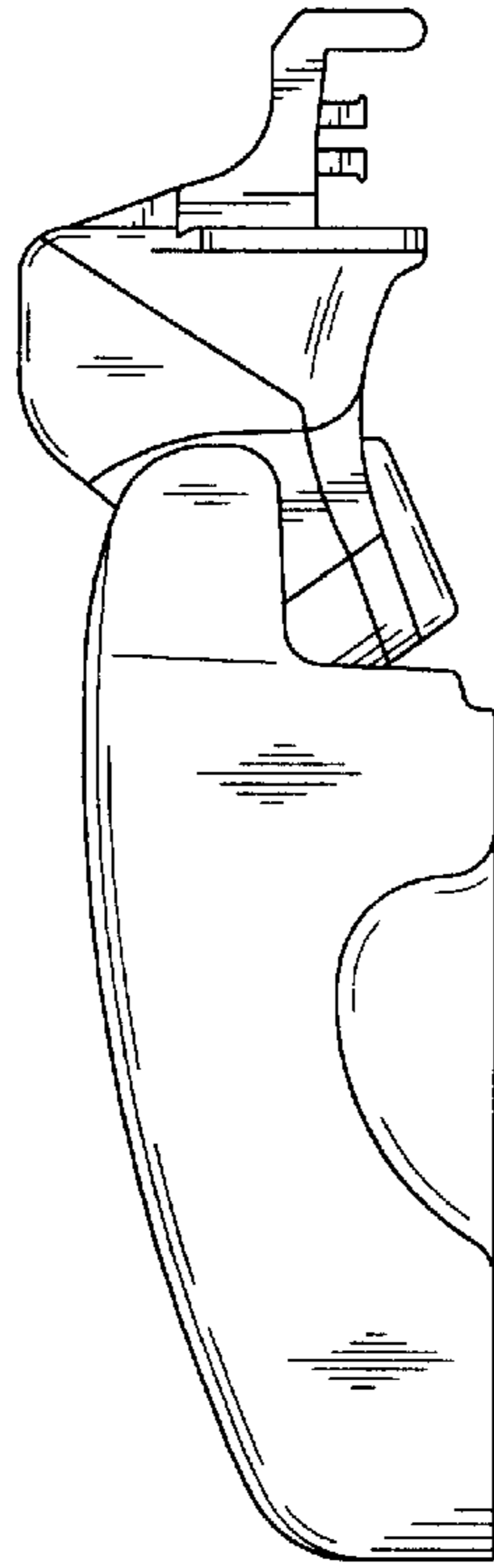


Fig. 8

